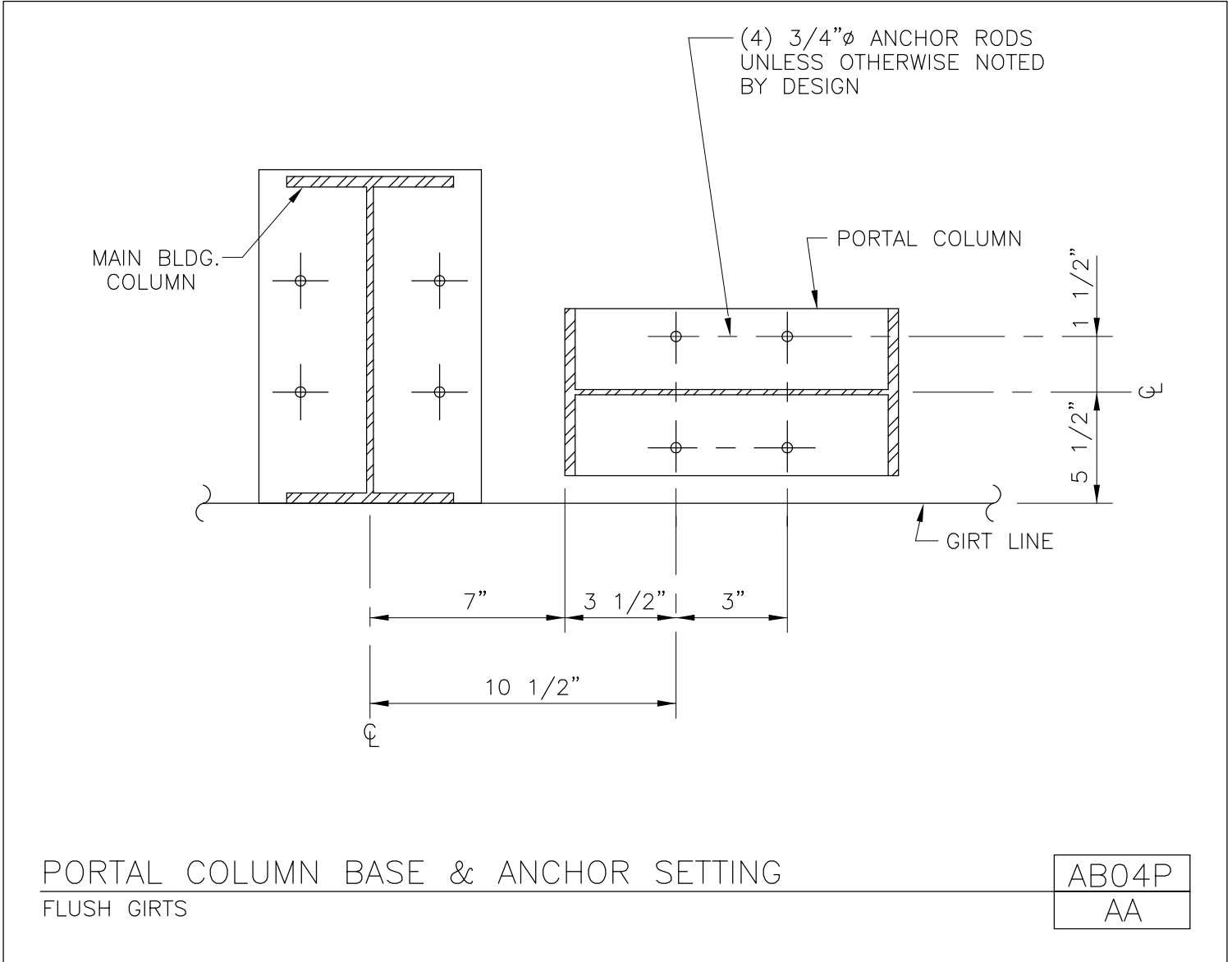


Index

AB04P/AA, Portal Column Base and Anchor Setting, Flush Girts
AB04Q/AA, Portal Column Base and Anchor Setting, Inset Girts
AB06/AA, Beam and Column Anchor Setting, $\geq 1"$ \emptyset Anchor Rods
AB06A/AA, Beam and Column Anchor Setting, $3/4"$ \emptyset Anchor Rods
AB07R/AA, Portal Column Base and Anchor Setting, Bypass Girts w/ Inset Portal Frame
AB08/AA, Beam and Column Corner Column (Hot Rolled and Built Up), $3/4"$ \emptyset Anchor Rods
AB08A/AA, Beam and Column Corner Column (Hot Rolled and Built -Up), $\geq 1"$ \emptyset Anchor Rods
AB08B/AA, Beam and Column Corner Colum (Cold Formed), $3/4"$ \emptyset Anchor Rods Only
AB08W/AA, Beam and Column, Hot Rolled, Rotated Corner Column, $3/4"$ \emptyset Anchor Rods
AB08WA/AA, Beam and Column, Hot Rolled, Rotated Corner Column, $\geq 1"$ \emptyset Anchor Rods
AB09/AA, Beam and Column Interior Column (Hot Rolled and Built-Up), $3/4"$ \emptyset Anchor Rods
AB09A/AA, Rigid Frame Interior Column, $3/4"$ \emptyset Anchor Rods
AB09AB/AA, Rigid Frame Interior Column, $\geq 1"$ \emptyset Anchor Rods
AB09B/AA, Beam and Column INterior Column (Hot Rolled and Built-Up), $\geq 1"$ \emptyset Anchor Rods
AB09BB/AA, Beam and Column Interior Column (Cold Formed), $3/4"$ \emptyset Anchor Rods ONLY
AB10/AA, Special Section at Panel Base
BP02P/AA, Base Plate and Anchor Setting (Flush Girts), Rigid Frame Corner Column
BP02Q/AA, Base Plate and Anchor Setting (Inset Girts), Rigid Frame Corner Column
BP02R/AA, Base Plate and Anchor Setting (Bypass Girts), Rigid Frame Corner Column
BP08P/AA, Base Plate and Anchor Setting (Flush Girts), Rigid Frame
BP08Q/AA, Base Plate and Anchor Rod Setting (Inset Girts), Rigid Frame
BP08R/AA, Base Plate and Anchor Setting (Bypass Girts), Rigid Frame
BP14/AA, Pipe Column Base Plate (4 Rod Pattern, $3/4"$, $1"$, $1\ 1/4"$ and $1\ 1/2"$ Anchor Rods), $<6"$ Nominal Pipe Diameter
BP15/AA, Pipe Column Base Plate (4 Rod Pattern, $3/4"$ and $1"$ Anchor Rods), $6"$ $8"$ or $10"$ Nominal Pipe Diameter
BP16/AA, Pipe Column Base Plate (4 Rod Pattern $3/4"$, $1"$, $1\ 1/4"$ and $1\ 1/2"$ Anchor Rods), $12"$ Nominal Pipe Diameter
BP17/AA, Pipe Column Base Plate (4 Rod Pattern, $1\ 1/4'$ Anchor Rods), $6"$, $8"$ or $10"$ Nominal Pipe Diameter
BP18/AA, Pipe Column Base Plate (4 Rod Pattern, $1\ 1/2"$ Anchor Rods), $6"$, $8"$ or $10"$ Nominal Pipe Diameter
OF61/AA, Framed Opening Anchor Rod Detail

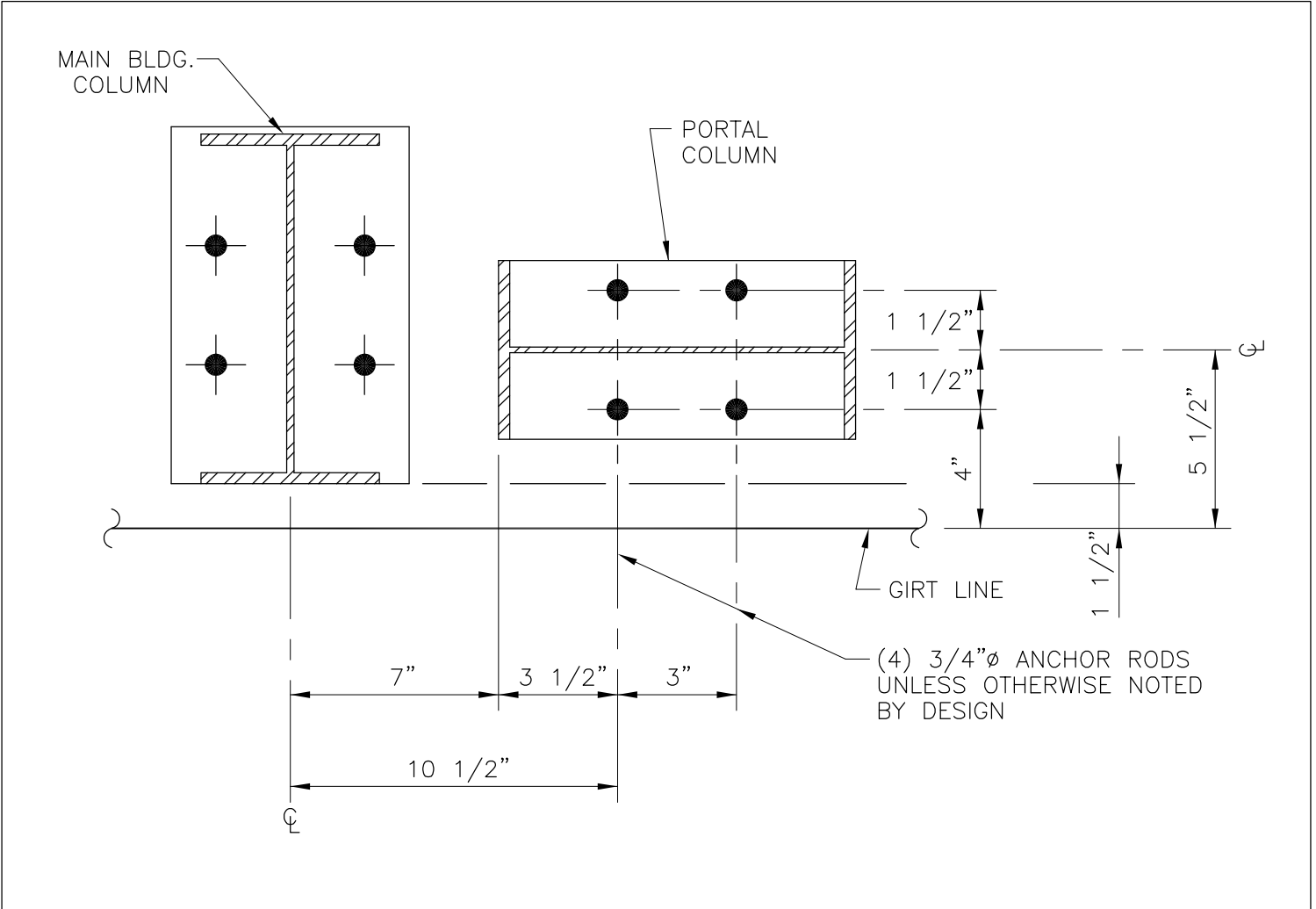
Portal Column Base and Anchor Setting
Flush Girts
AB04P/AA



[Download the DWG file by clicking here.](#)

[To Section Index](#)

Portal Column Base and Anchor Setting
Inset Girts
AB04Q/AA



PORTAL COLUMN BASE & ANCHOR SETTING
INSET GIRTS

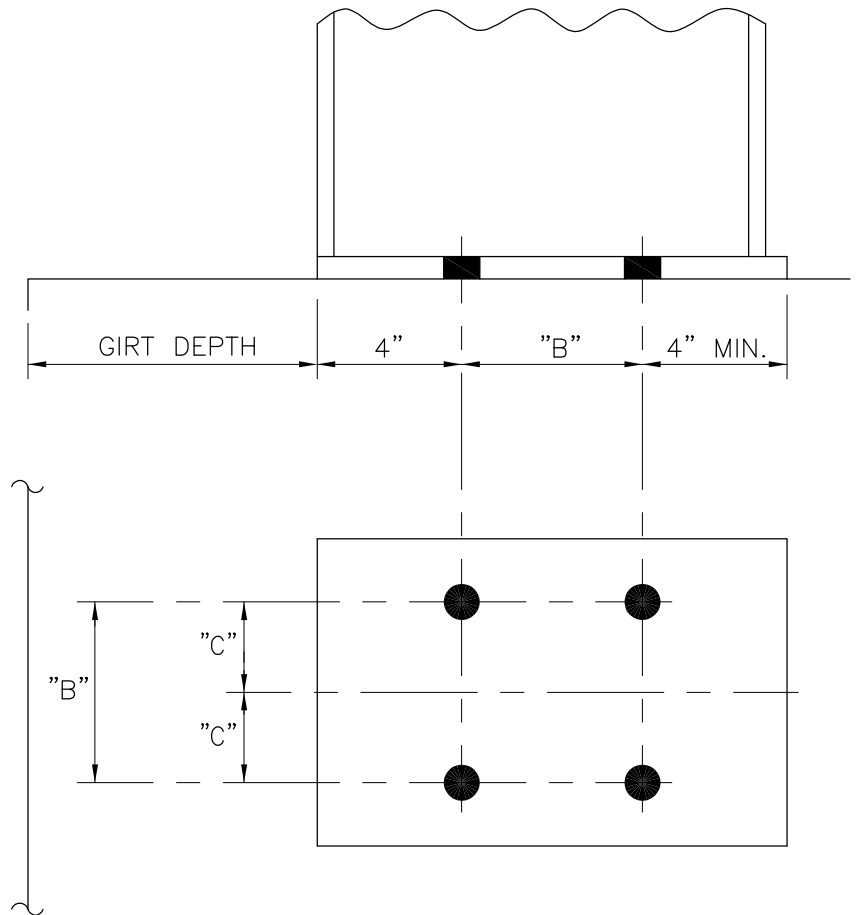
AB04Q
AA

[Download the DWG file by clicking here.](#)

[To Section Index](#)

Beam and Column Anchor Setting
 $\geq 1" \text{ } \varnothing$ Anchor Rods
 AB06/AA

ANCHOR ROD DIAMETER	"B"	"C"
1"	5"	2 1/2"
1 1/4"	5"	2 1/2"
1 1/2"	6"	3"



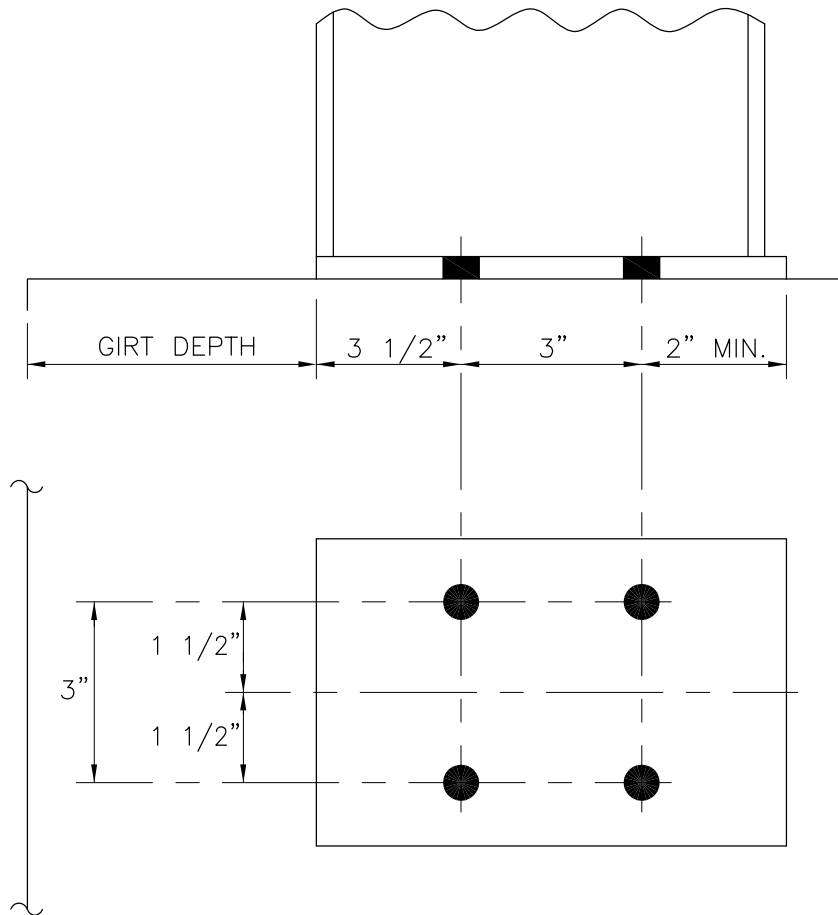
BEAM & COLUMN ANCHOR SETTING
 $\geq 1" \varnothing$ ANCHOR RODS

AB06
AA

[Download the DWG file by clicking here.](#)

[To Section Index](#)

Beam and Column Anchor Setting
 3/4" Ø Anchor Rods
 AB06A/AA



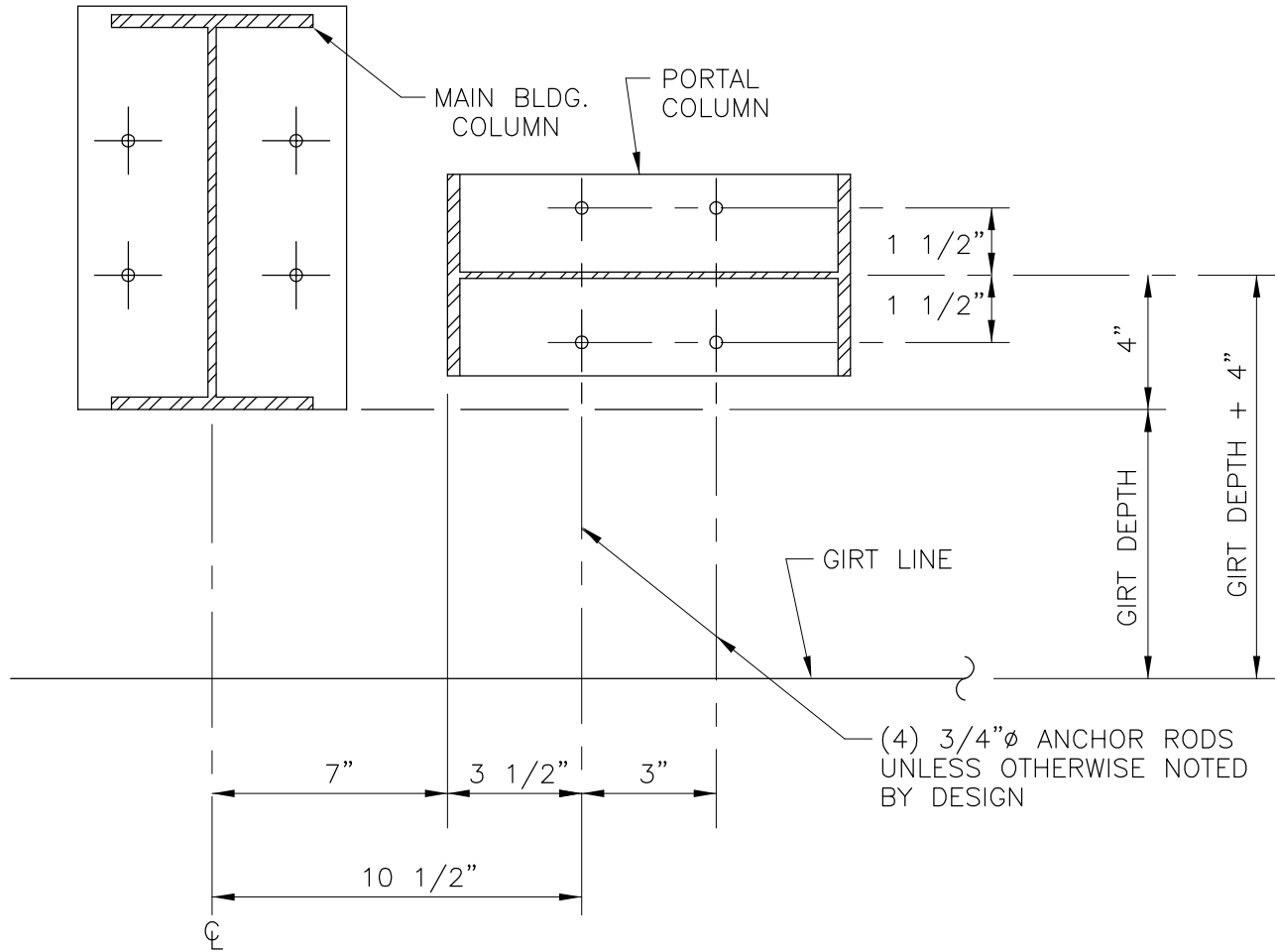
BEAM & COLUMN ANCHOR SETTING
 3/4"Ø ANCHOR RODS

AB06A
AA

[Download the DWG file by clicking here.](#)

[To Section Index](#)

Portal Column Base and Anchor Setting
Bypass Girts w/ Inset Portal Frame
AB07R/AA



PORTAL COLUMN BASE & ANCHOR SETTING
BYPASS GIRTS W/INSET PORTAL FRAME

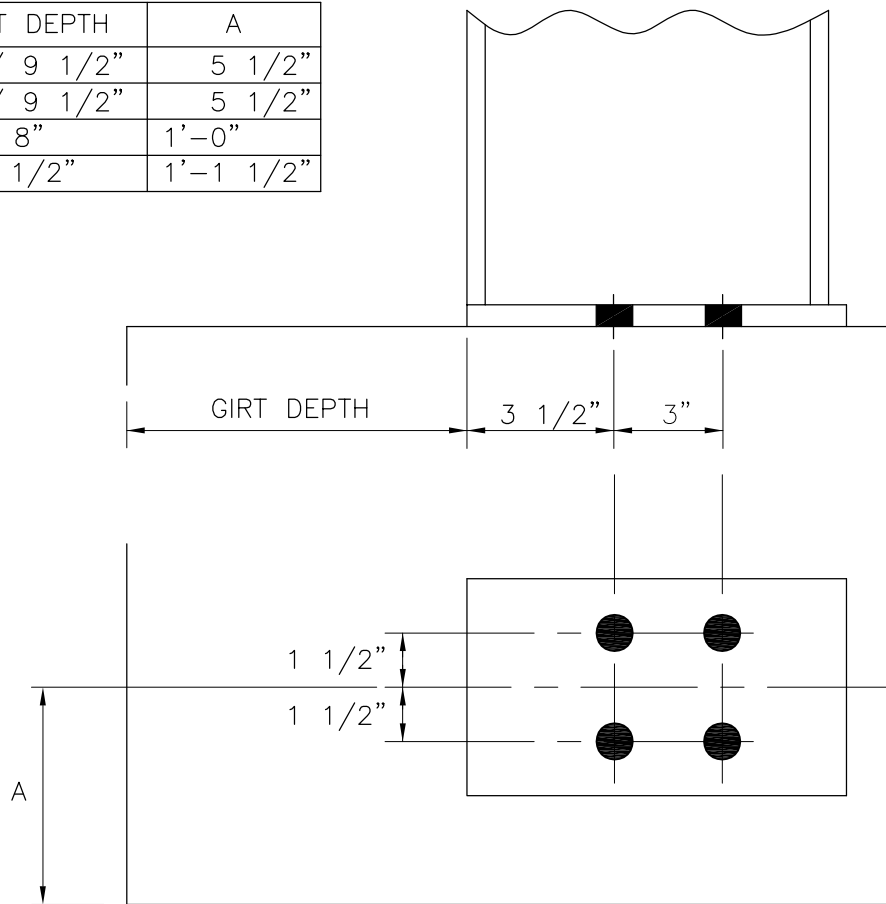
AB07R
AA

[Download the DWG file by clicking here.](#)

[To Section Index](#)

Beam and Column Corner Column (Hot Rolled and Built Up)
3/4" Ø Anchor Rods
AB08/AA

GIRT CONDITION	GIRT DEPTH	A
FLUSH	8" / 9 1/2"	5 1/2"
INSET	8" / 9 1/2"	5 1/2"
BYPASS	8"	1'-0"
BYPASS	9 1/2"	1'-1 1/2"



BEAM & COLUMN CORNER COLUMN (HOT ROLLED AND BUILT-UP)	AB08
3/4"Ø ANCHOR RODS	AA

[Download the DWG file by clicking here.](#)

[To Section Index](#)

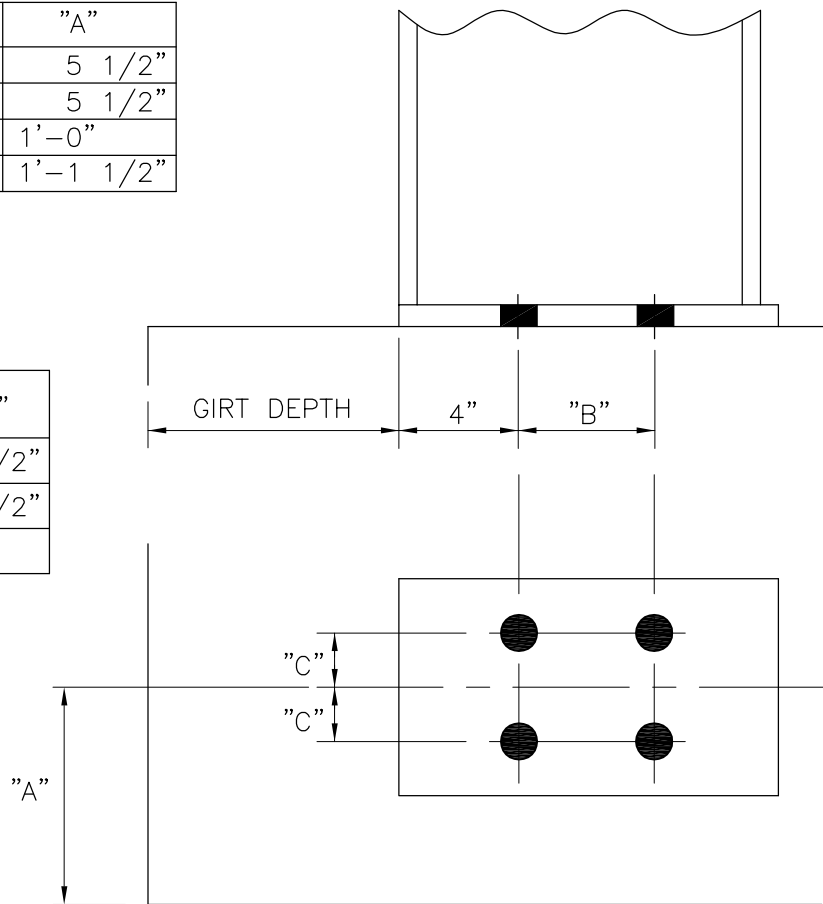
Beam and Column Corner Column (Hot Rolled and Built-Up)

≥ 1"∅ Anchor Rods

AB08A/AA

GIRT CONDITION	GIRT DEPTH	"A"
FLUSH	8" / 9 1/2"	5 1/2"
INSET	8" / 9 1/2"	5 1/2"
BYPASS	8"	1'-0"
BYPASS	9 1/2"	1'-1 1/2"

ANCHOR ROD DIAMETER	"B"	"C"
1"	5"	2 1/2"
1 1/4"	5"	2 1/2"
1 1/2"	6"	3"

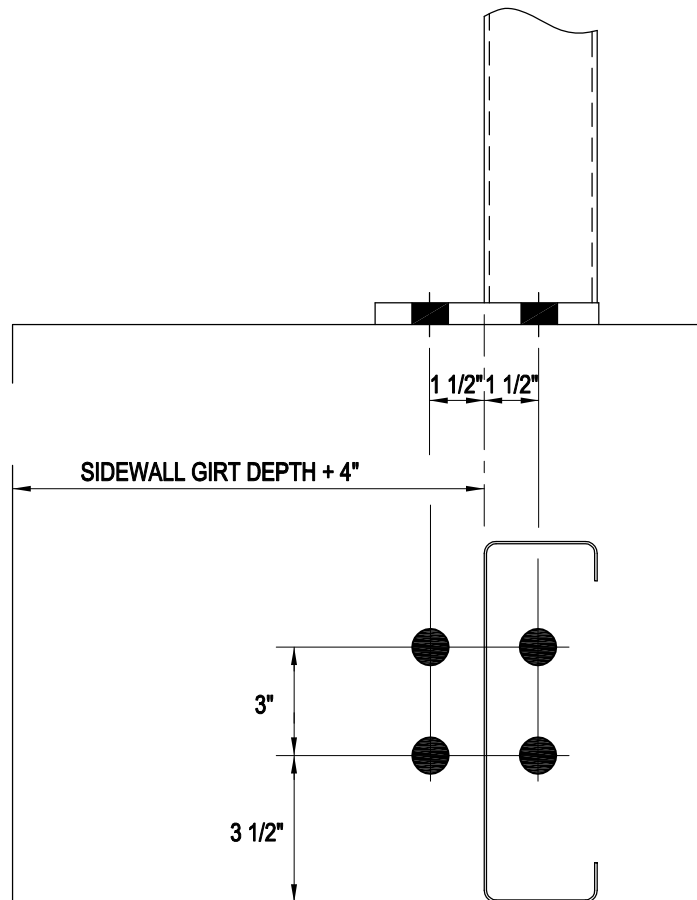


BEAM & COLUMN CORNER COLUMN (HOT ROLLED AND BUILT-UP) AB08A
 ≥ 1"∅ ANCHOR RODS AA

[Download the DWG file by clicking here.](#)

[To Section Index](#)

Beam and Column Corner Column (Cold Formed)
 3/4" Ø Anchor Rods Only
 AB08B/AA



BEAM & COLUMN CORNER COLUMN (COLD FORMED)

3/4"Ø ANCHOR RODS ONLY

AB08B
AA

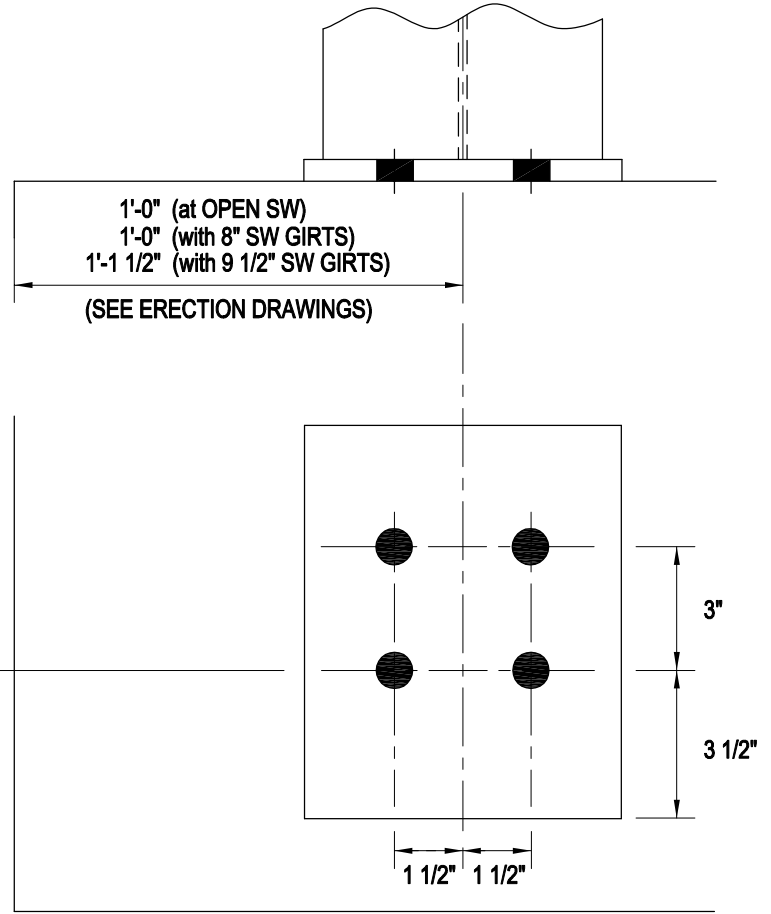
[Download the DWG file by clicking here.](#)

[To Section Index](#)

Beam and Column, Hot Rolled, Rotated Corner Column
 3/4" Ø Anchor Rods
 AB08W/AA

ENDWALL GIRT CONDITION	ENDWALL GIRT DEPTH	"A"
FLUSH	8" or 9 1/2"	5"
INSET	8" or 9 1/2"	5"
BYPASS	8"	11 1/2"
BYPASS	9 1/2"	1'-1"

"A"
(SEE TABLE)



BEAM & COLUMN, HOT ROLLED, ROTATED CORNER COLUMN

3/4"Ø ANCHOR RODS

AB08W

AA

[Download the DWG file by clicking here.](#)

[To Section Index](#)

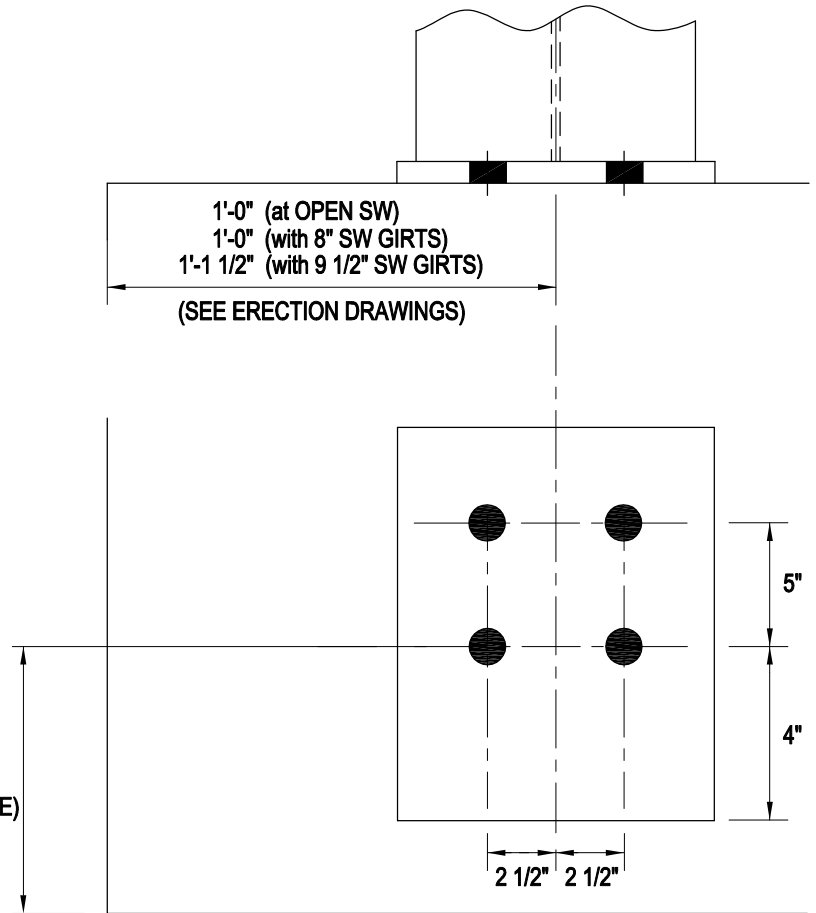
Beam and Column, Hot Rolled, Rotated Corner Column

≥ 1" Ø Anchor Rods

AB08WA/AA

ENDWALL GIRT CONDITION	ENDWALL GIRT DEPTH	"A"
FLUSH	8" or 9 1/2"	5 1/2"
INSET	8" or 9 1/2"	5 1/2"
BYPASS	8"	1'-0"
BYPASS	9 1/2"	1'-1 1/2"

"A"
(SEE TABLE)



BEAM & COLUMN, HOT ROLLED, ROTATED CORNER COLUMN

≥ 1"Ø ANCHOR RODS

AB08WA

AA

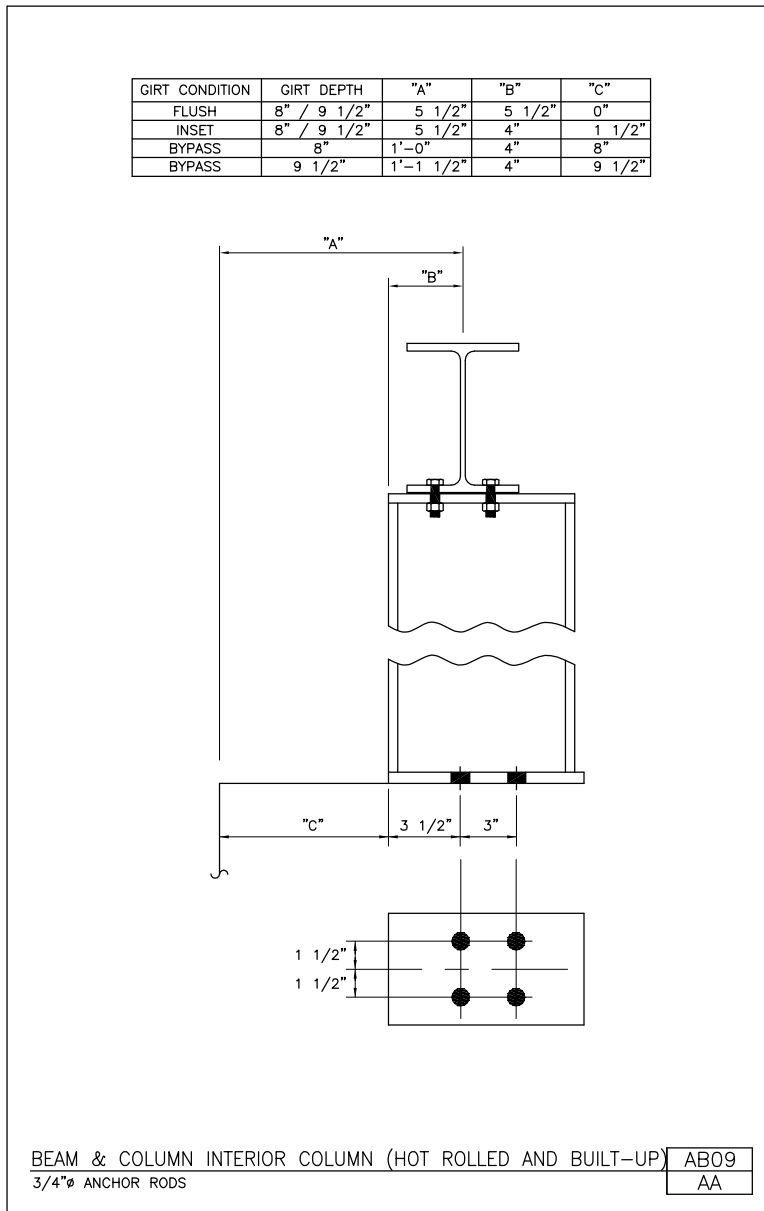
[Download the DWG file by clicking here.](#)

[To Section Index](#)

Beam and Column Interior Column (Hot Rolled and Built-Up)

3/4" Ø Anchor Rods

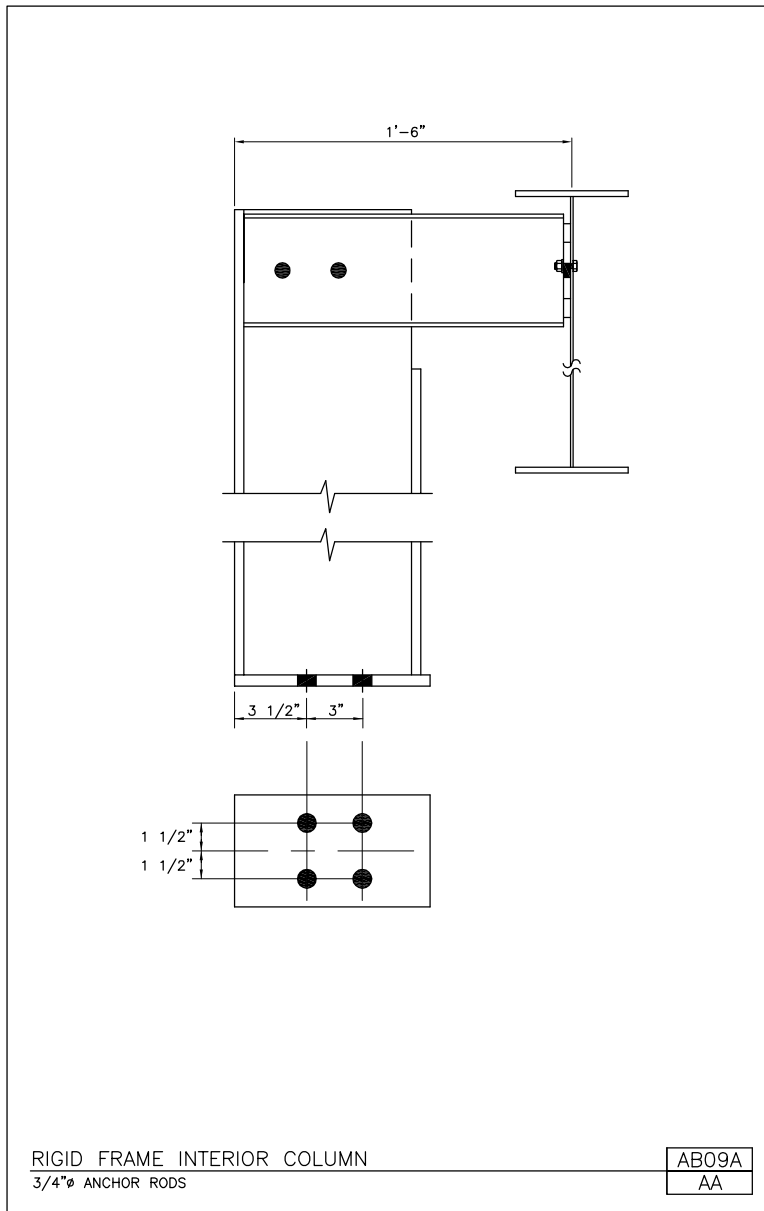
AB09/AA



[Download the DWG file by clicking here.](#)

[To Section Index](#)

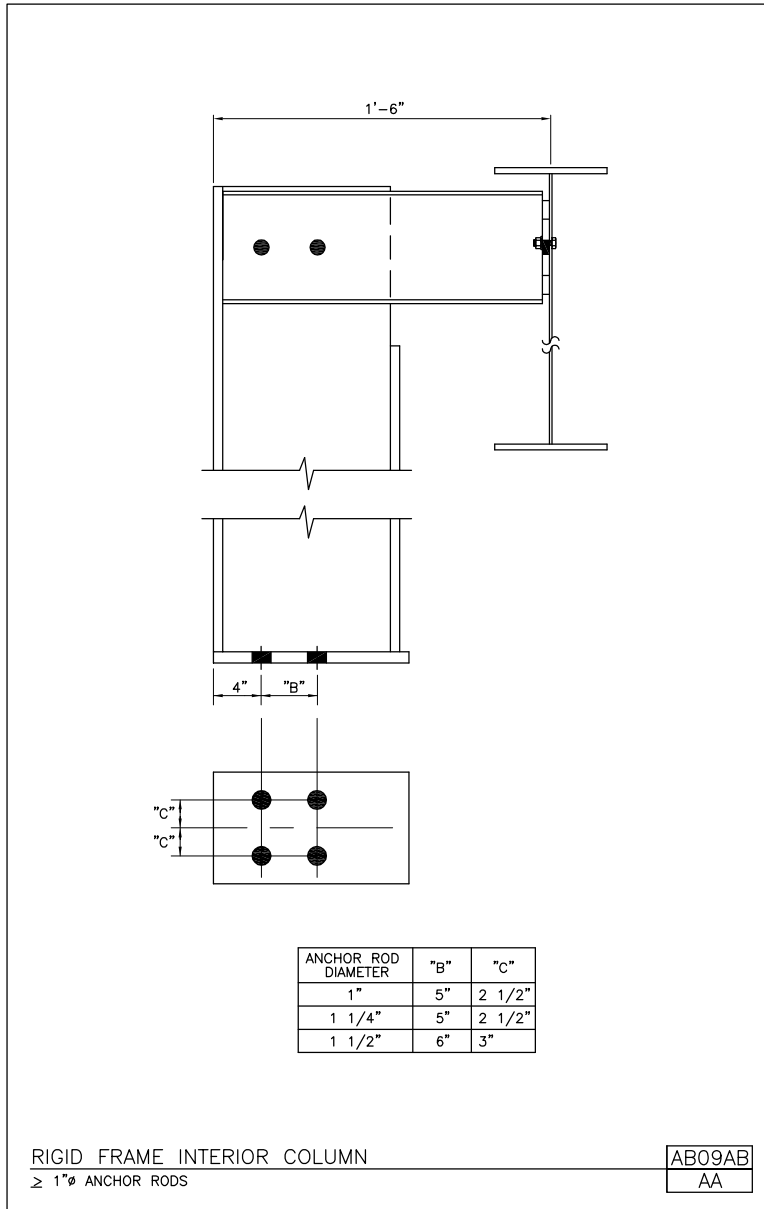
Rigid Frame Interior Column
3/4" Ø Anchor Rods
AB09A/AA



[Download the DWG file by clicking here.](#)

[To Section Index](#)

Rigid Frame Interior Column
 $\geq 1" \text{ } \varnothing$ Anchor Rods
 AB09AB/AA



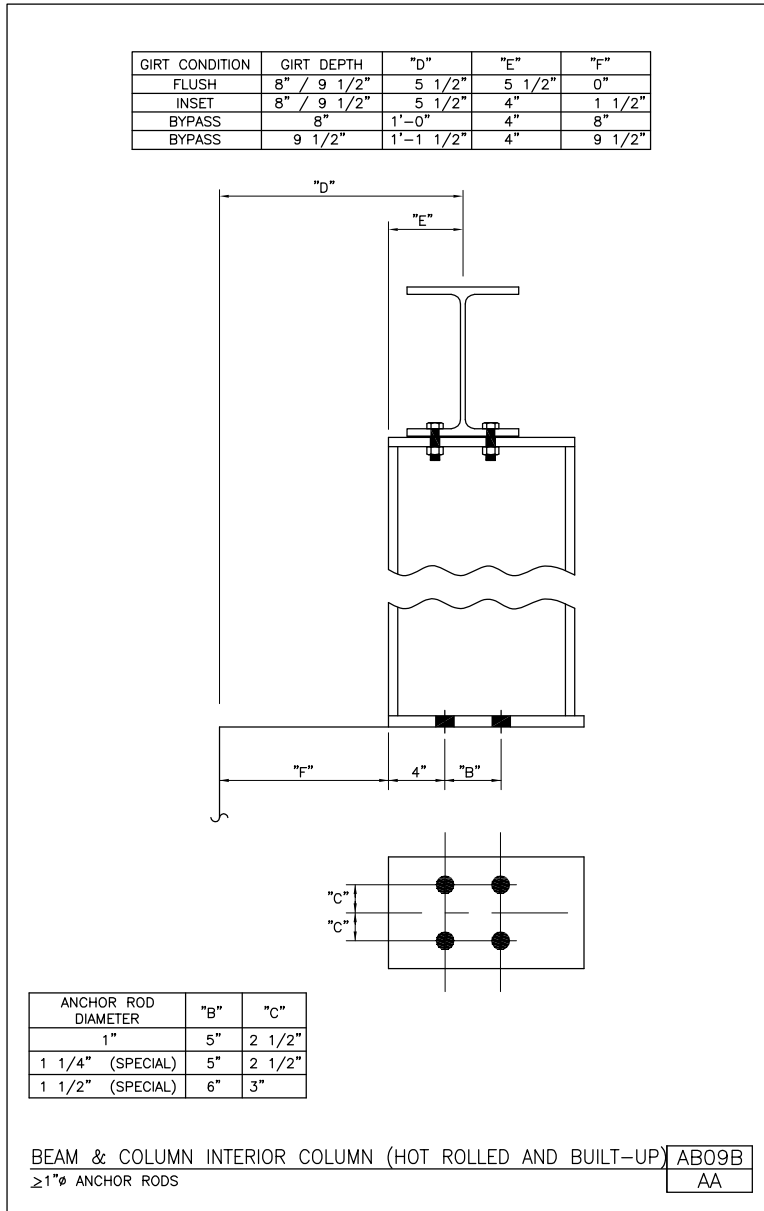
[Download the DWG file by clicking here.](#)

[To Section Index](#)

Beam and Column Interior Column (Hot Rolled and Built-Up)

≥ 1" Ø Anchor Rods

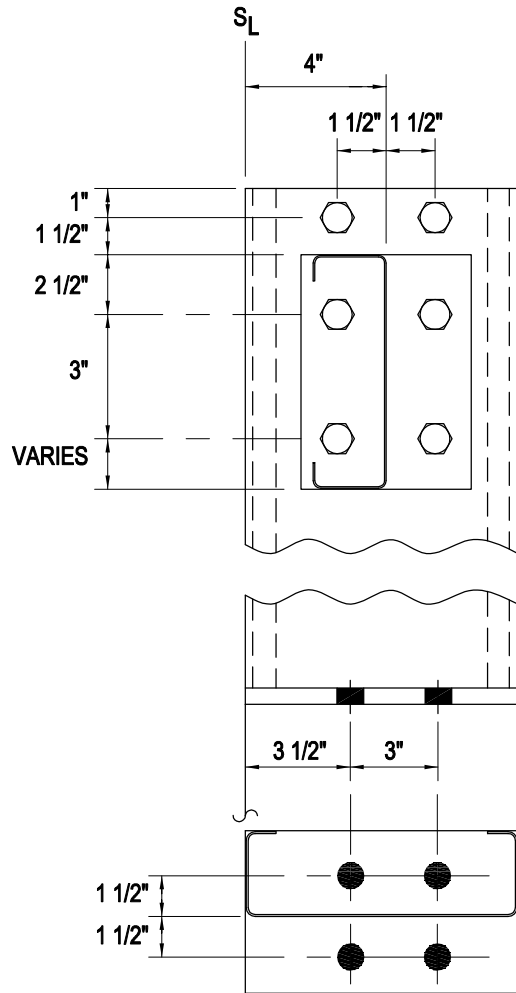
AB09B/AA



[Download the DWG file by clicking here.](#)

[To Section Index](#)

Beam and Column Interior Column (Cold Formed)
 3/4" Ø Anchor Rods Only
 AB09BB/AA



BEAM & COLUMN INTERIOR COLUMN (COLD FORMED)
 3/4"Ø ANCHOR RODS ONLY

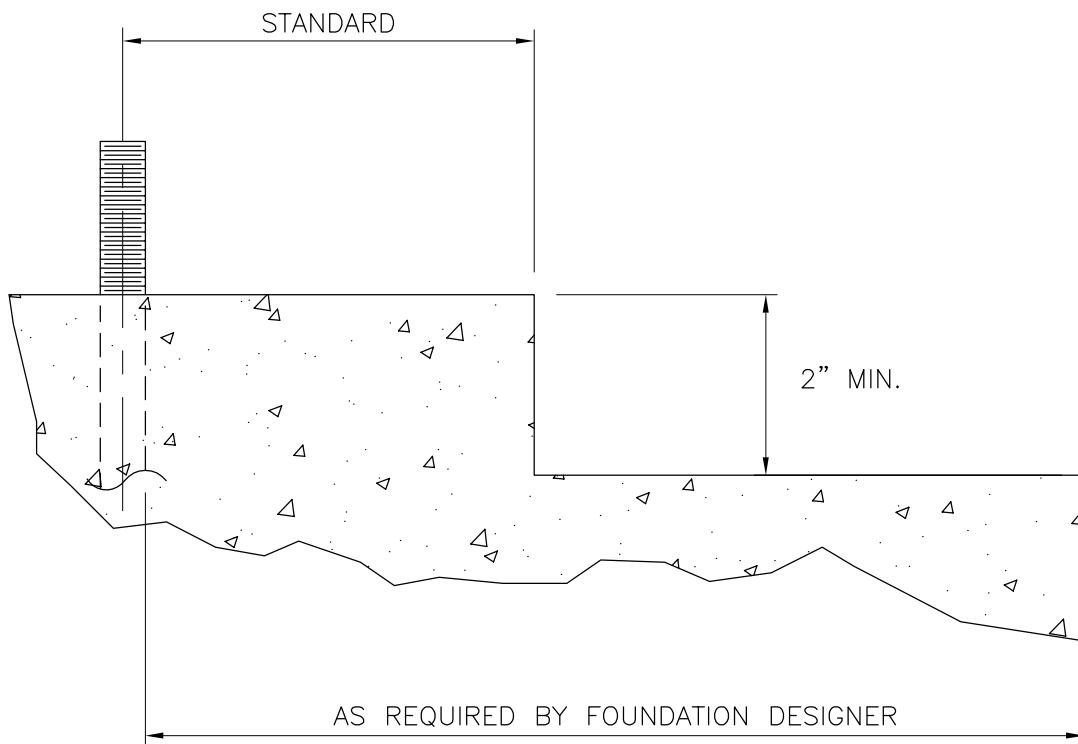
AB09BB
AA

[Download the DWG file by clicking here.](#)

[To Section Index](#)

Special Section at Panel Base

AB10/AA



NOTE:
WHEN LOCAL CODE OR DESIGN DICTATES
NOTCH FOR PANEL AS REQUIRED

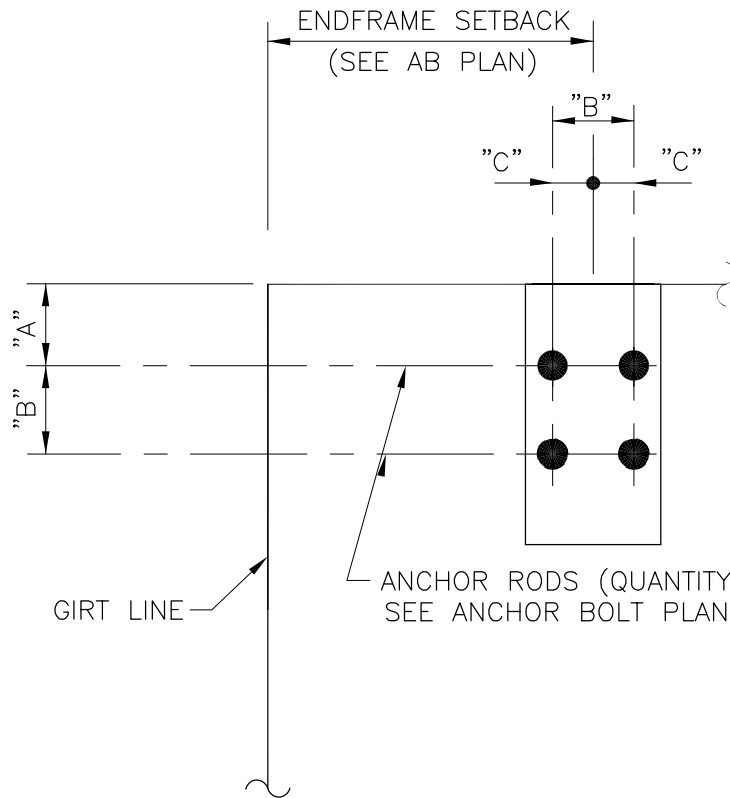
SPECIAL SECTION AT PANEL BASE

AB10
AA

[Download the DWG file by clicking here.](#)

[To Section Index](#)

Base Plate and Anchor Setting (Flush Girts)
Rigid Frame Corner Column
BP02P/AA



NOTE:
FOR ADDITIONAL ROD PAIRS,
USE SAME SPACING AND GAUGE.

ANCHOR ROD DIAMETER	"A"	"B"	"C"
3/4"	3 1/2"	3"	1 1/2"
1"	4"	5"	2 1/2"
1 1/4"	4"	5"	2 1/2"
1 1/2"	4"	6"	3"

ANCHOR RODS (QUANTITY AND SIZE MAY VARY)
SEE ANCHOR BOLT PLAN

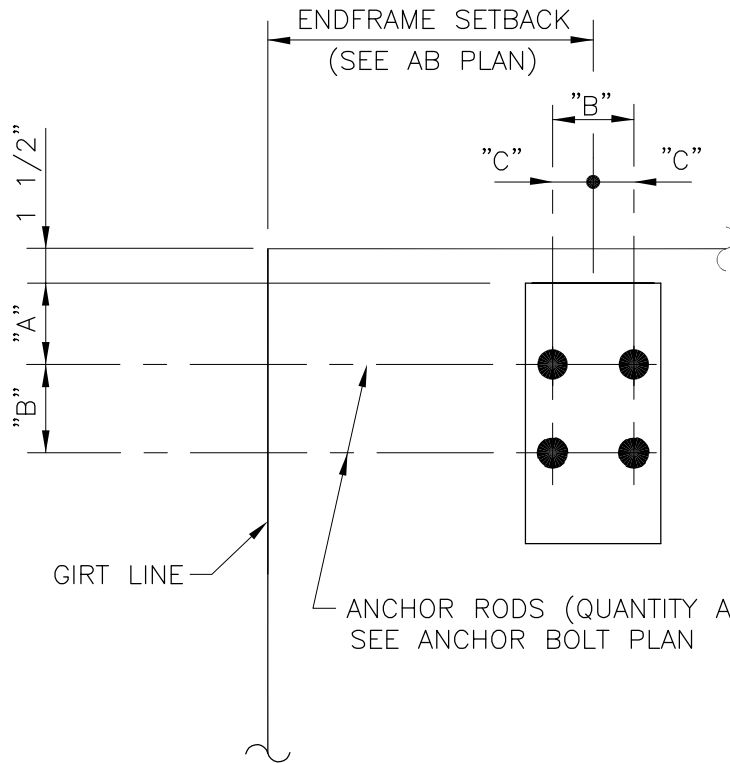
BASE PLATE & ANCHOR SETTING (FLUSH GIRTS)
RIGID FRAME CORNER COLUMN

BP02P
AA

[Download the DWG file by clicking here.](#)

[To Section Index](#)

Base Plate and Anchor Setting (Inset Girts)
Rigid Frame Corner Column
BP02Q/AA



ANCHOR ROD DIAMETER	"A"	"B"	"C"
3/4"	3 1/2"	3"	1 1/2"
1"	4"	5"	2 1/2"
1 1/4"	4"	5"	2 1/2"
1 1/2"	4"	6"	3"

ANCHOR RODS (QUANTITY AND SIZE MAY VARY)
SEE ANCHOR BOLT PLAN

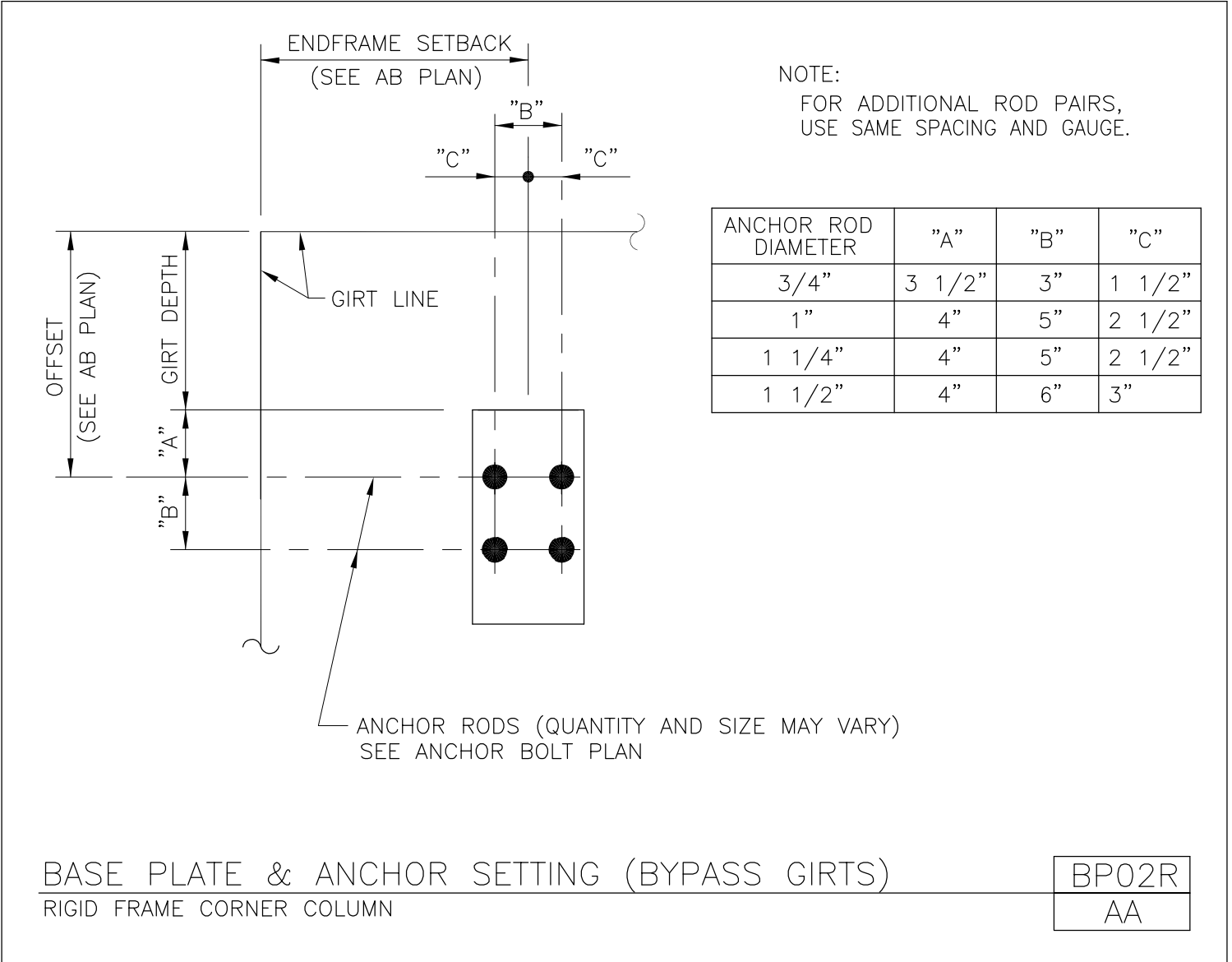
BASE PLATE & ANCHOR SETTING (INSET GIRTS)
RIGID FRAME CORNER COLUMN

BP02Q
AA

[Download the DWG file by clicking here.](#)

[To Section Index](#)

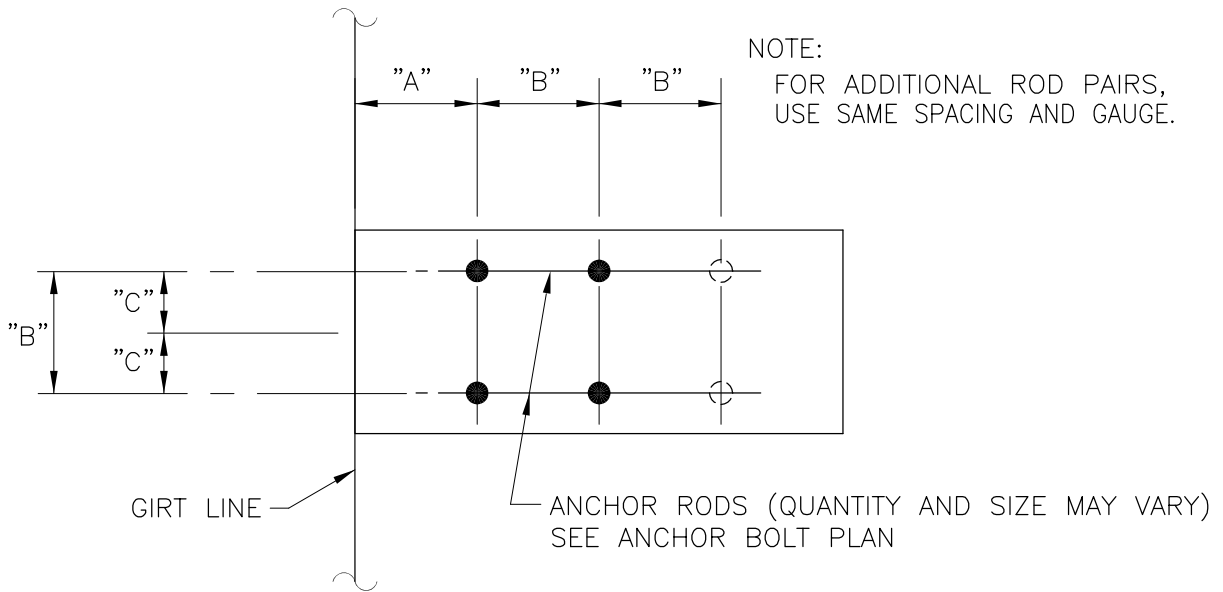
Base Plate and Anchor Setting (Bypass Girts)
Rigid Frame Corner Column
BP02R/AA



[Download the DWG file by clicking here.](#)

[To Section Index](#)

Base Plate and Anchor Setting (Flush Girts)
Rigid Frame
BP08P/AA



ANCHOR ROD DIAMETER	"A"	"B"	"C"
3/4"	3 1/2"	3"	1 1/2"
1"	4"	5"	2 1/2"
1 1/4"	4"	5"	2 1/2"
1 1/2"	4"	6"	3"

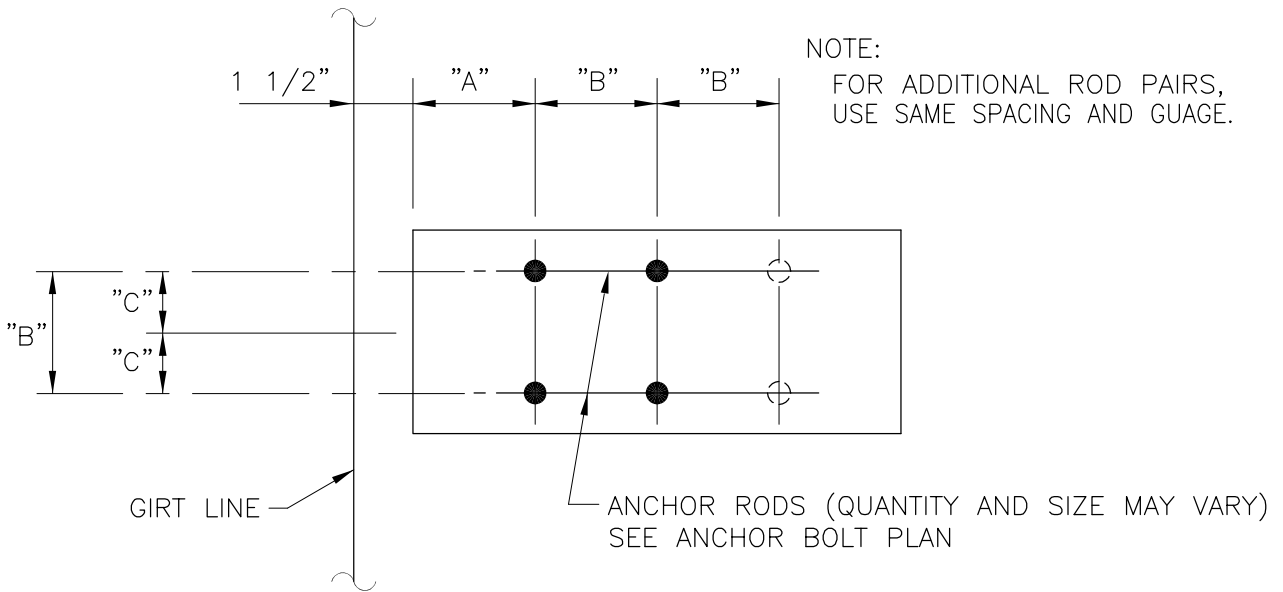
BASE PLATE & ANCHOR SETTING (FLUSH GIRTS)
RIGID FRAME

BP08P
AA

[Download the DWG file by clicking here.](#)

[To Section Index](#)

Base Plate and Anchor Setting (Inset Girts)
Rigid Frame
BP08Q/AA



ANCHOR ROD DIAMETER	"A"	"B"	"C"
3/4"	3 1/2"	3"	1 1/2"
1"	4"	5"	2 1/2"
1 1/4"	4"	5"	2 1/2"
1 1/2"	4"	6"	3"

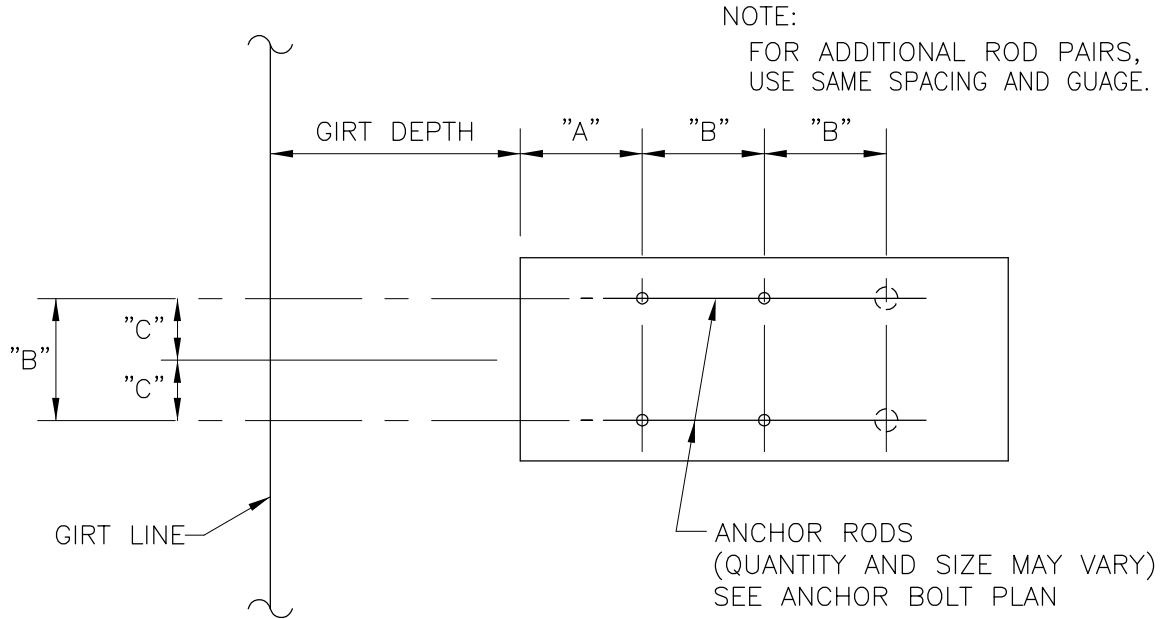
BASE PLATE & ANCHOR SETTING (INSET GIRTS)
RIGID FRAME

BP08Q
AA

[Download the DWG file by clicking here.](#)

[To Section Index](#)

Base Plate and Anchor Setting (Bypass Girts)
Rigid Frame
BP08R/AA



ANCHOR ROD DIAMETER	"A"	"B"	"C"
3/4"	3 1/2"	3"	1 1/2"
1"	4"	5"	2 1/2"
1 1/4"	4"	5"	2 1/2"
1 1/2"	4"	6"	3"

BASE PLATE & ANCHOR SETTING (BYPASS GIRTS)
RIGID FRAME

BP08R
AA

[Download the DWG file by clicking here.](#)

[To Section Index](#)

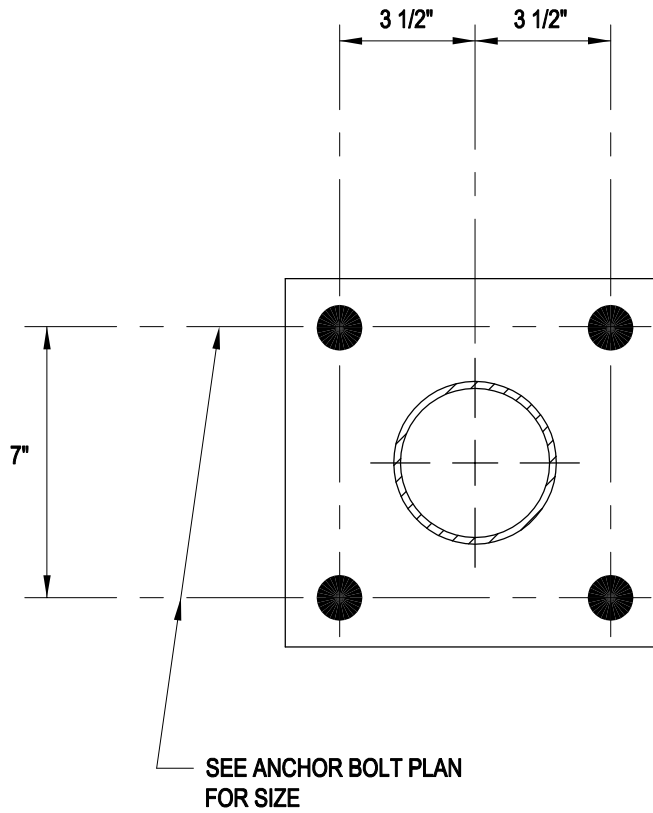


A **NUCOR** COMPANY

PRODUCT MANUAL

BASE PLATE AND ANCHOR ROD SETTING

Pipe Column Base Plate (4 Rod Pattern, 3/4", 1", 1 1/4", and 1 1/2" Anchor Rods)
<6" Nominal Pipe Diameter
BP14/AA



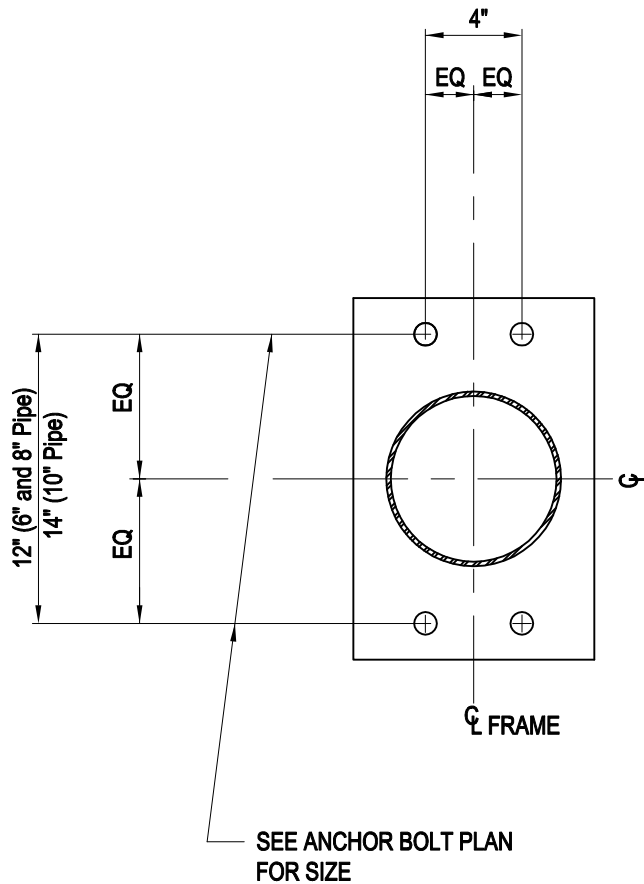
PIPE COLUMN BASE PLATE (4 ROD PATTERN, 3/4", 1", 1 1/4" AND 1 1/2" ANCHOR RODS)
< 6" NOMINAL PIPE DIAMETER

BP14
AA

[Download the DWG file by clicking here.](#)

[To Section Index](#)

Pipe Column Base Plate (4 Rod Pattern, 3/4" and 1" Anchor Rods)
6", 8" or 10" Nominal Pipe Diameter
BP15/AA



PIPE COLUMN BASE PLATE (4 ROD PATTERN, 3/4" AND 1" ANCHOR RODS)

6", 8" OR 10" NOMINAL PIPE DIAMETER

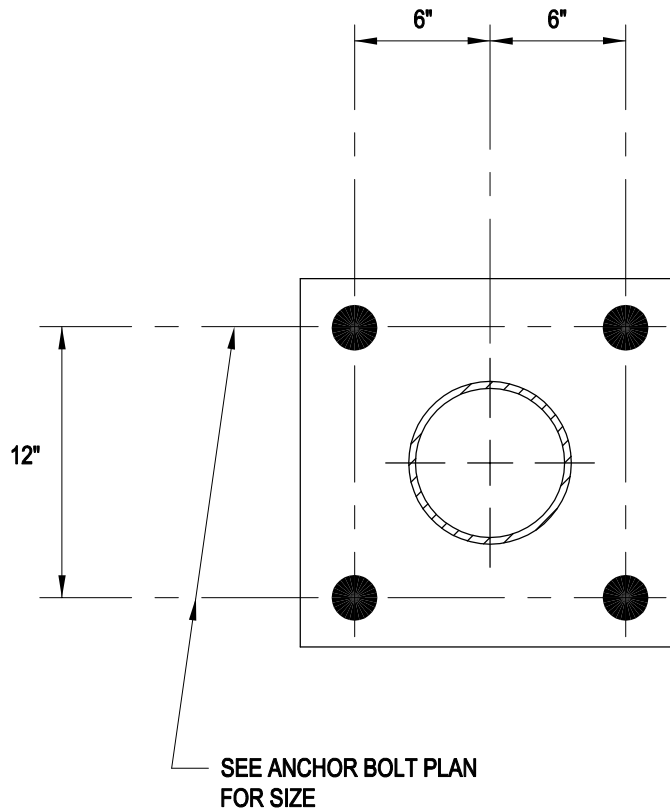
BP15

AA

[Download the DWG file by clicking here.](#)

[To Section Index](#)

Pipe Column Base Plate (4 Rod Pattern, 3/4" 1", 1 1/4" and 1 1/2" Anchor Rods)
12" Nominal Pipe Diameter
BP16/AA



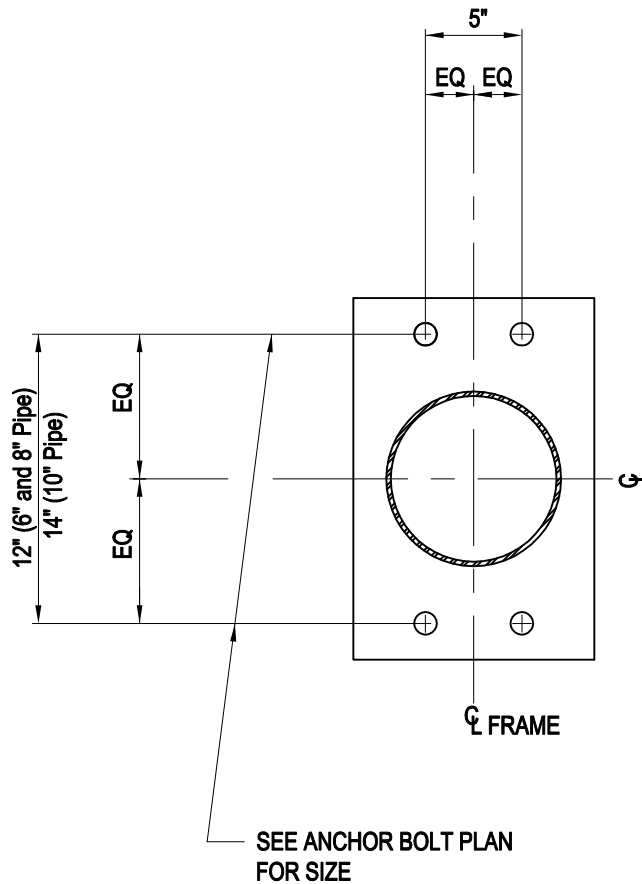
PIPE COLUMN BASE PLATE (4 ROD PATTERN, 3/4", 1", 1 1/4" AND 1 1/2" ANCHOR RODS)
12" NOMINAL PIPE DIAMETER

BP16
AA

[Download the DWG file by clicking here.](#)

[To Section Index](#)

Pipe Column Base Plate (4 Rod Pattern, 1 1/4" Anchor Rods)
 6" 8" or 10" Nominal Pipe Diameter
 BP17/AA



PIPE COLUMN BASE PLATE (4 ROD PATTERN, 1 1/4" ANCHOR RODS)

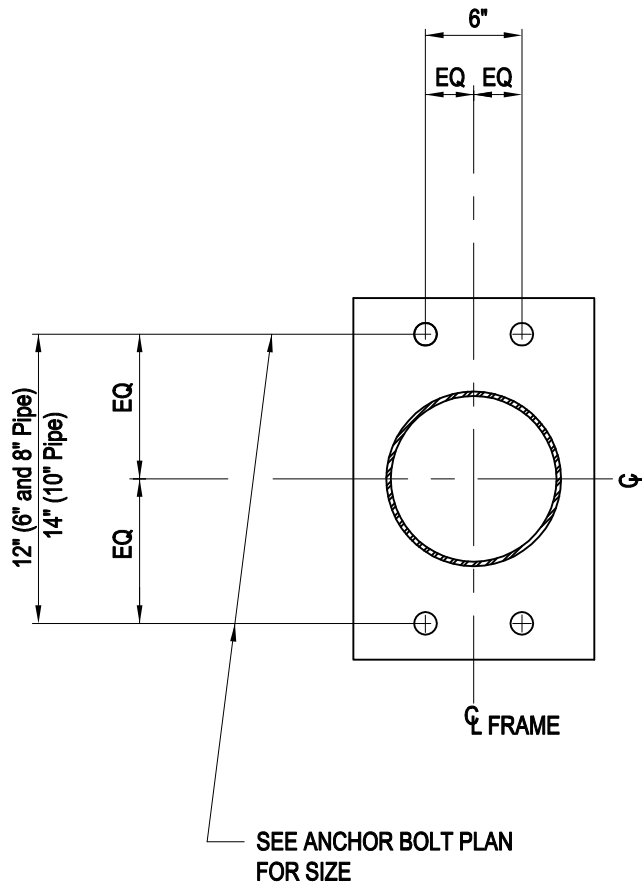
6", 8" OR 10" NOMINAL PIPE DIAMETER

BP17
AA

[Download the DWG file by clicking here.](#)

[To Section Index](#)

Pipe Column Base Plate (4 Rod Pattern, 1 1/2" Anchor Rods)
6" 8" or 10" Nominal Pipe Diameter
BP18/AA



PIPE COLUMN BASE PLATE (4 ROD PATTERN, 1 1/2" ANCHOR RODS)

6", 8" OR 10" NOMINAL PIPE DIAMETER

BP18

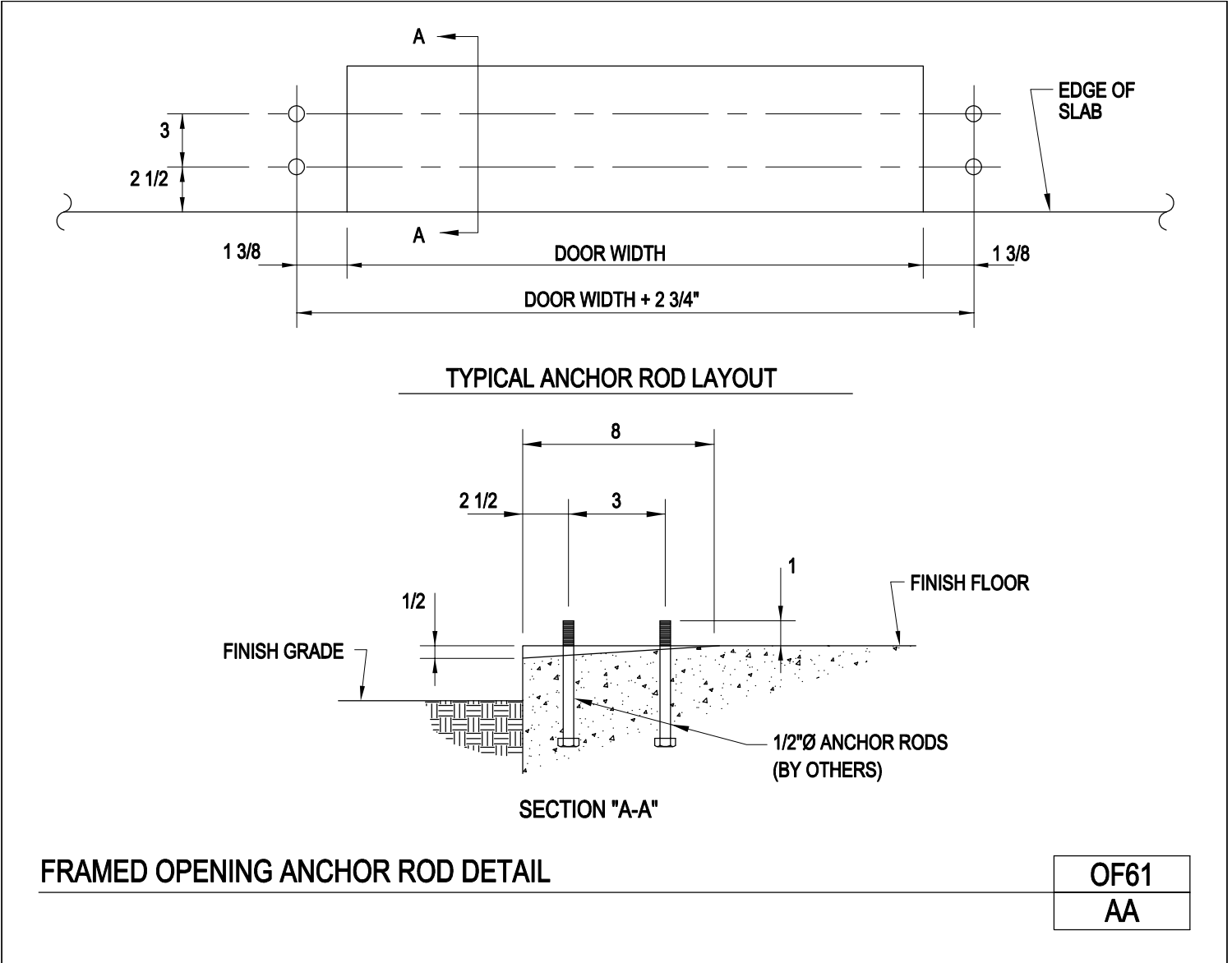
AA

[Download the DWG file by clicking here.](#)

[To Section Index](#)

Framed Opening Anchor Rod Detail

OF61/AA



[Download the DWG file by clicking here.](#)

[To Section Index](#)