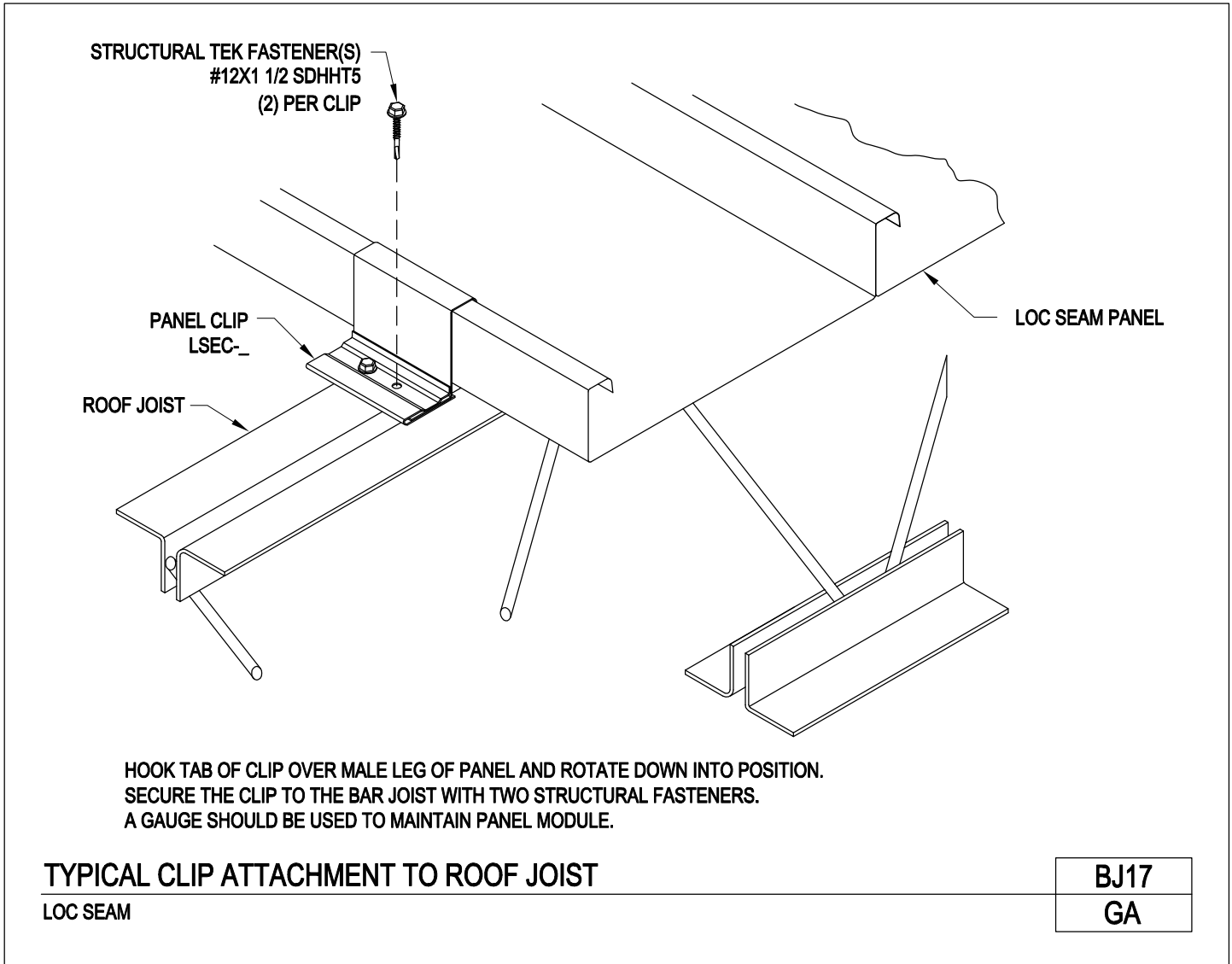


Index

[BJ17/GA, Typical Clip Attachment to Bar Joist, Loc Seam Panel](#)
[BJOB/AA, General Notes](#)

Typical Clip Attachment to Bar Joist
Loc Seam Panel
BJ17/GA



[Download the DWG file by clicking here.](#)

[To Section Index](#)

General Notes

BJOB/AA

1. See detail BJOAAA,
****IMPORTANT NOTICE FOR THE HANDLING AND ERECTION OF STEEL JOISTS****
2. Bridging to be specified by the roof joist supplier.
3. Insulation not shown in these details for clarity.
4. Bracing attachment and clip orientation will vary according to joist size and rafter depth. See erection drawings for specific frame brace connection.

GENERAL NOTES

Roof Joists

BJOB
AA

[Download the DWG file by clicking here.](#)

[To Section Index](#)