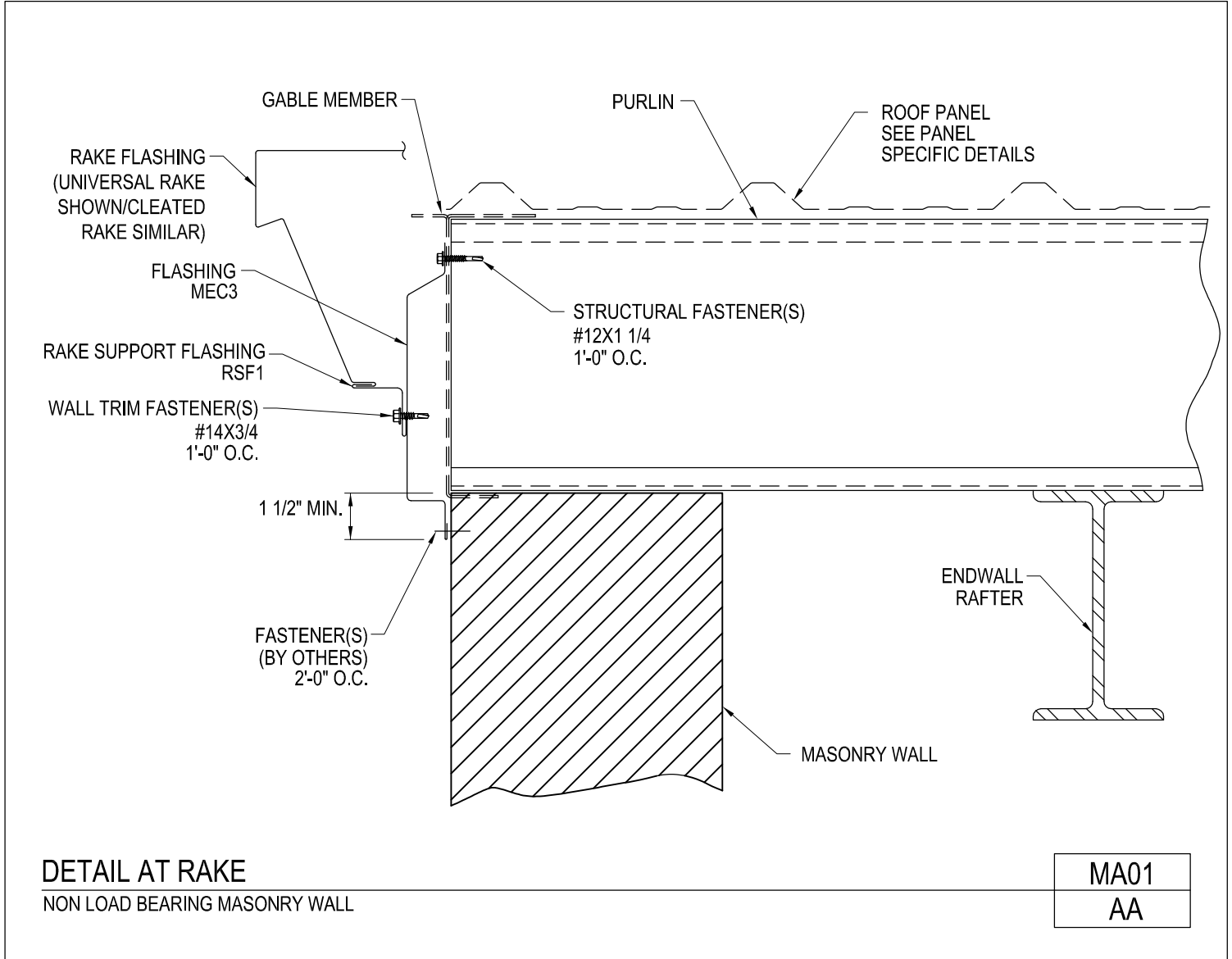


# Product Manual - Masonry

---

MA01/AA, Detail at Rake  
MA01A/AA, Detail at Rake  
MA02/AA, Foundation  
MA04/AA, Eave Detail w/ 8" Nominal Masonry Wall  
MA04A/AA, Simple Eave w/ Masonry Wall Detail  
MA06/AA, Wall Panel to Masonry Details  
MA07/AA, Wall Panel to Masonry Details  
MA08/AA, Wall Panel to Masonry Detail  
MA09/AA, Wall Panel to Masonry Detail  
MA11/AA, Section Through Endwall at Roof to Masonry  
MA11A/AA, Section Through Endwall at Roof to Masonry  
MA20/AB, Girt and Panel Connection to Masonry  
MA20/AC, Girt and Panel Connection to Masonry  
MA21/AA, Plan at Corner  
MA21A/AA, Plan at Corner  
MA0A/AA, Wall by Others Masonry/Concrete  
SF17A/JA, Trim Detail at Masonry Wall to Soffit  
WMA07/AA, Wall Panel to Masonry Detail  
WMA08/AA, Wall Panel to Masonry Detail  
WMA09/AA, Wall Panel to Masonry Detail  
WMA20/AB, Girt and Panel Connection to Masonry  
WMA20/AC, Girt and Panel Connection to Masonry  
WMA21/AA, Plan at Corner  
WMA21A/AA, Plan at Corner

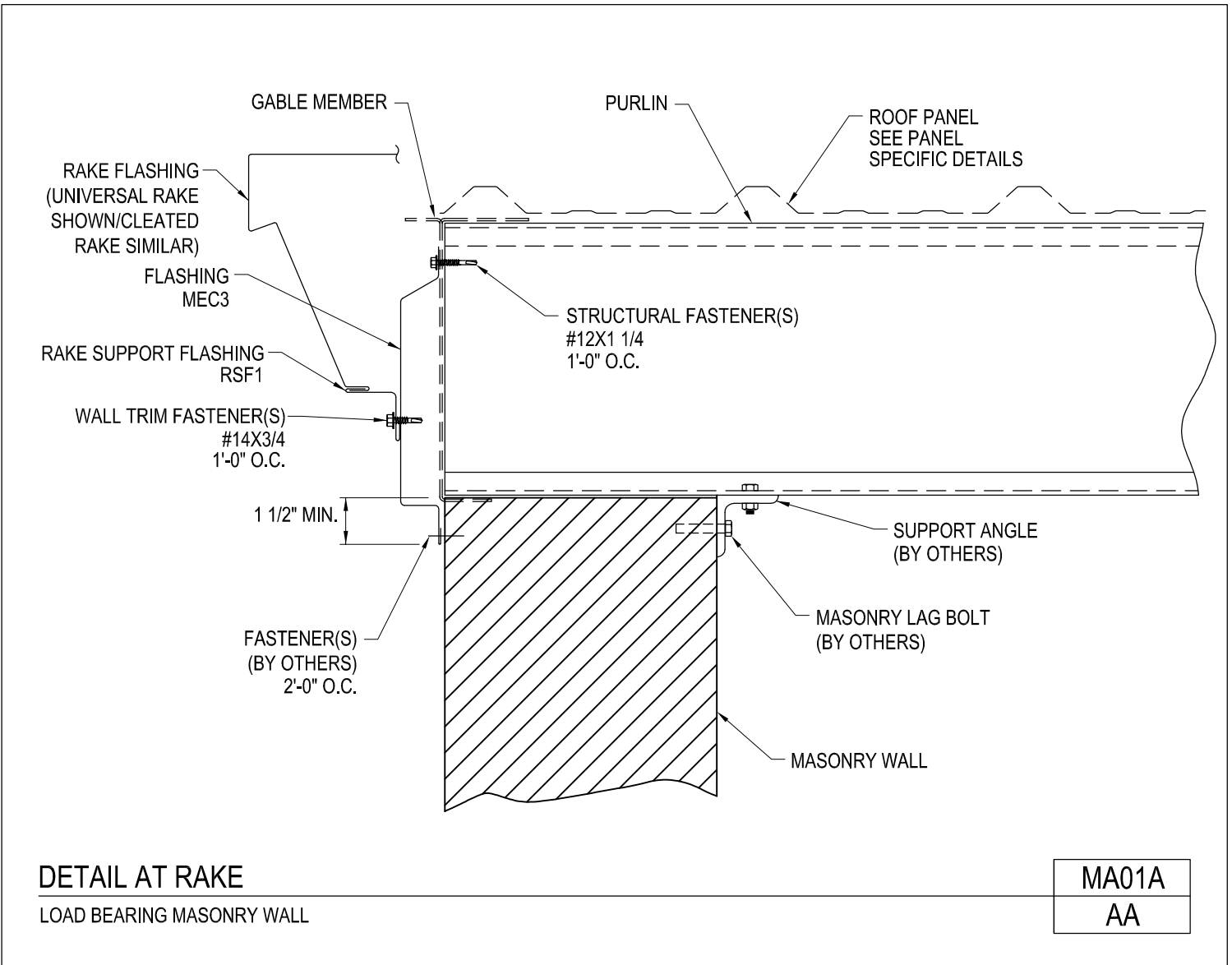
Detail at Rake  
Non Load Bearing Masonry Wall  
MA01/AA



[Download the DWG file by clicking here.](#)

[To Section Index](#)

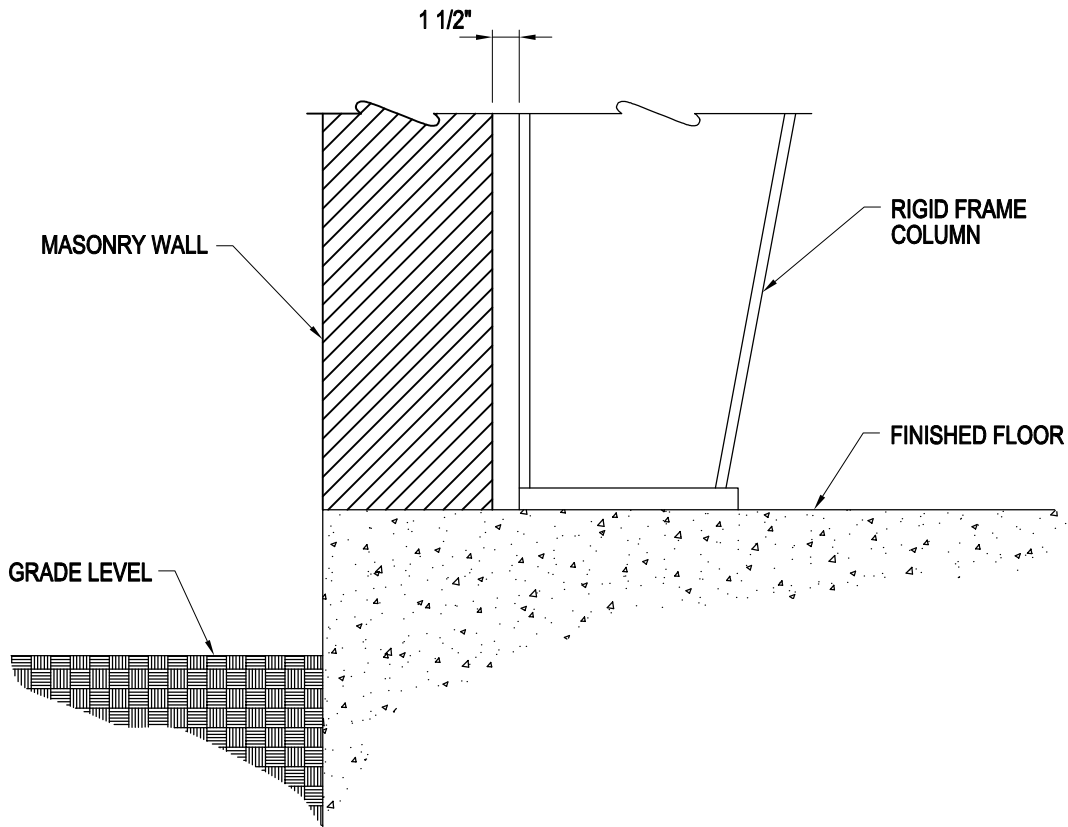
Detail at Rake  
Load Bearing Masonry Wall  
MA01A/AA



[Download the DWG file by clicking here.](#)

[To Section Index](#)

Foundation  
Masonry Applications Sections at Masonry Sidewall  
MA02/AA



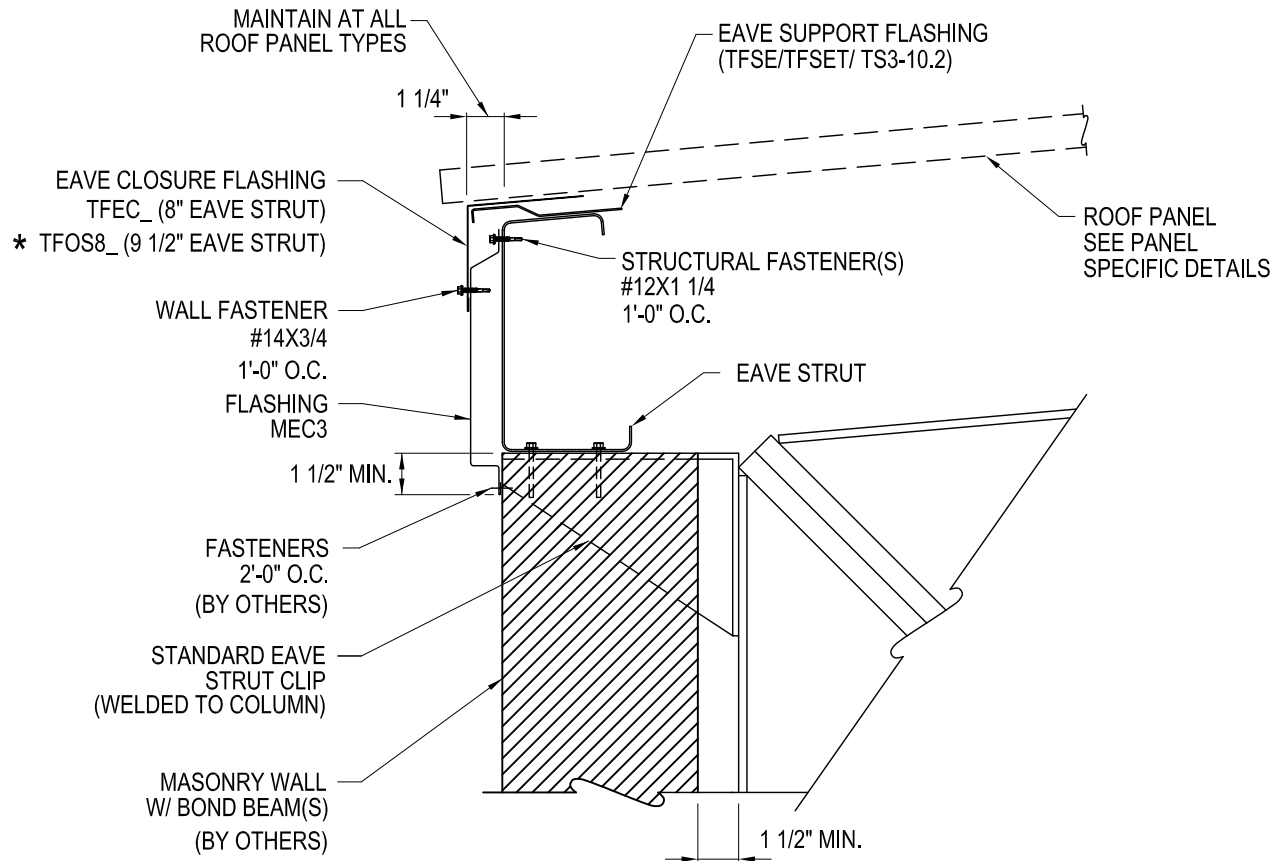
**FOUNDATION**  
MASONRY APPLICATIONS SECTIONS AT MASONRY SIDEWALL

MA02
AA

[Download the DWG file by clicking here.](#)

[To Section Index](#)

Eave Detail w/ 8" Nominal Masonry Wall  
Masonry Applications Sidewall Details  
MA04/AA



\* TFOS8\_ (FOR USE WITH S3PC-5T PANEL CLIPS)

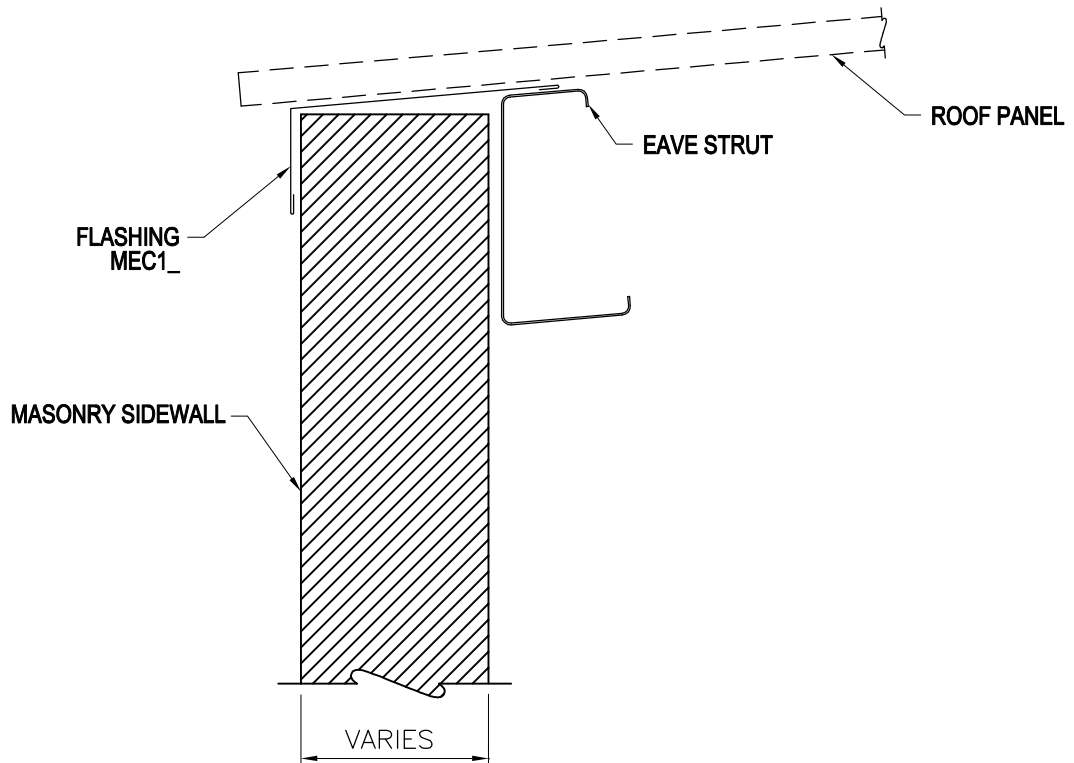
**EAVE DETAIL W/ 8" NOMINAL MASONRY WALL**  
MASONRY APPLICATIONS SIDEWALL DETAILS

MA04
AA

[Download the DWG file by clicking here.](#)

[To Section Index](#)

Simple Eave w/ Masonry Wall Detail  
Full Height  
MA04A/AA



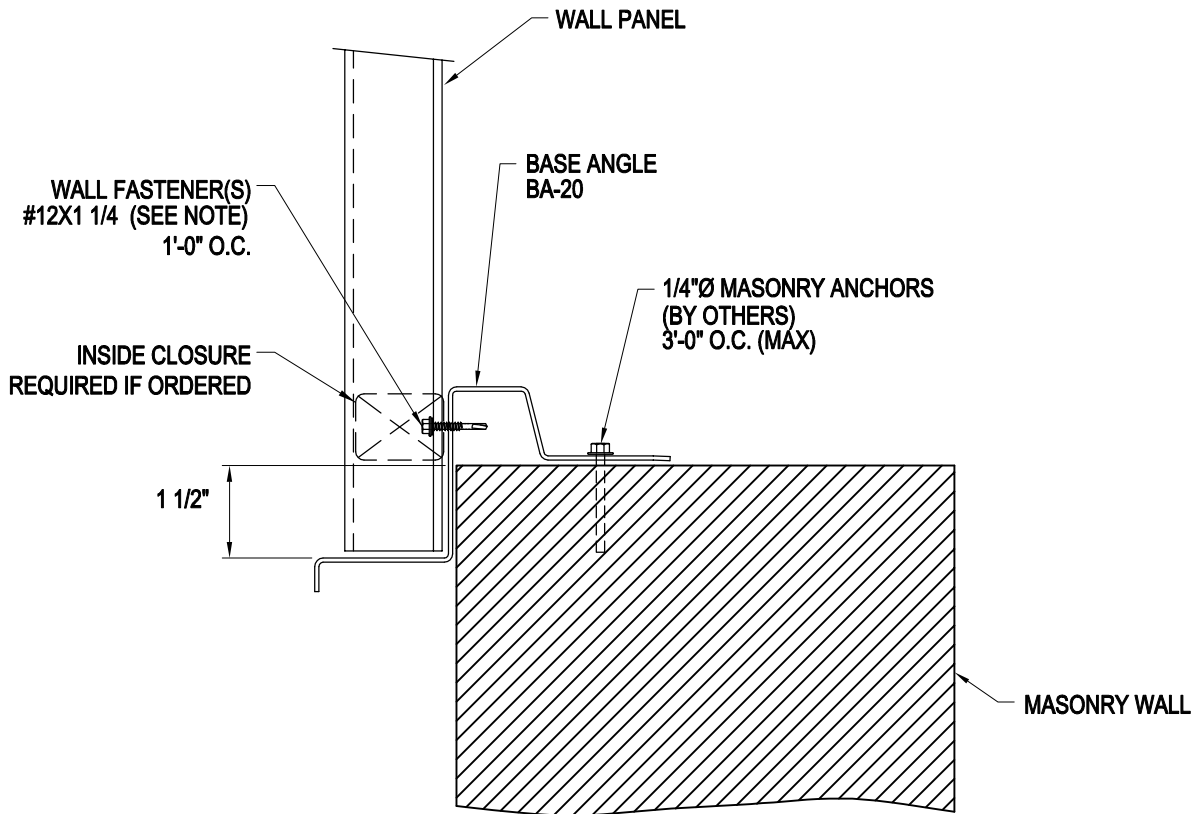
**SIMPLE EAVE W/ MASONRY WALL DETAIL**  
(FULL HEIGHT)

MA04A
AA

[Download the DWG file by clicking here.](#)

[To Section Index](#)

Wall Panel to Masonry Details  
 Masonry Applications Partial Masonry Walls  
 MA06/AA



NOTE: #12X2 FASTENER(S) w/ 6" INSULATION

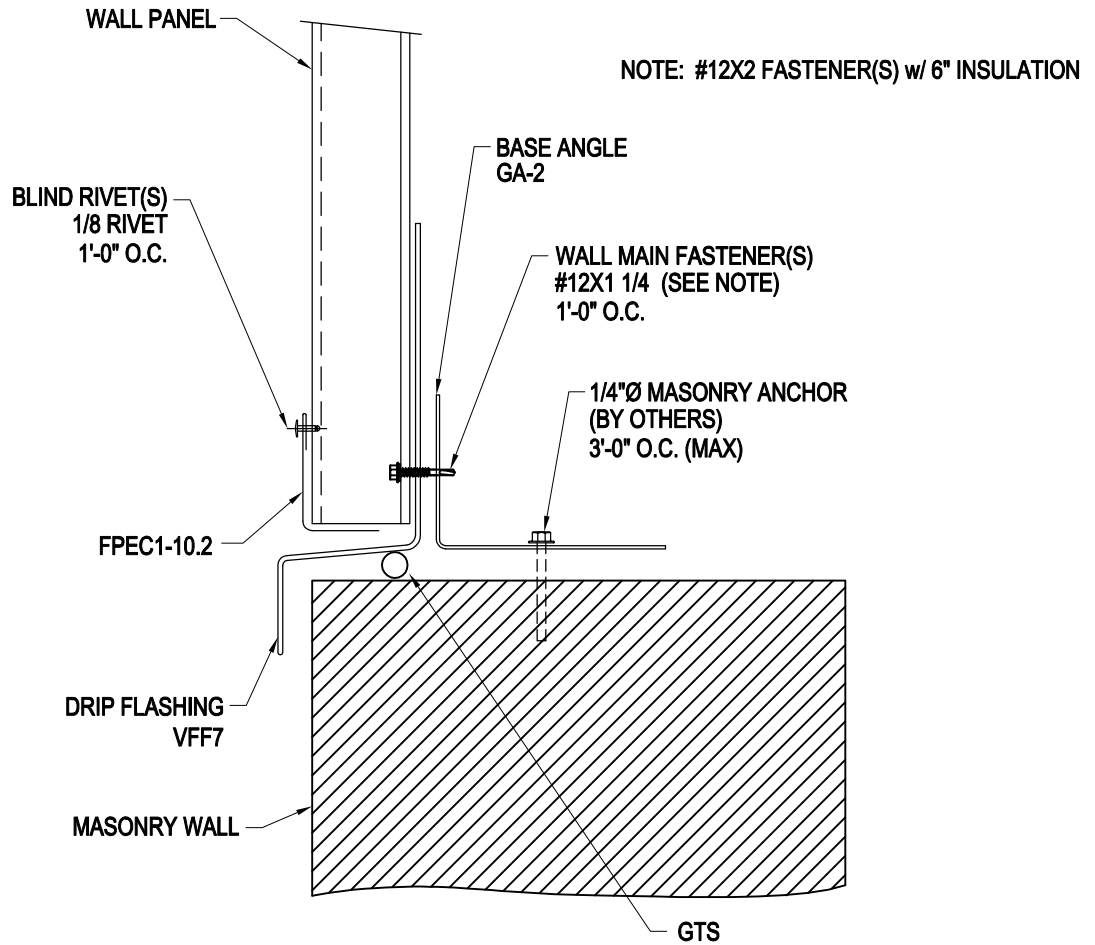
**WALL PANEL TO MASONRY DETAILS**  
 MASONRY APPLICATIONS PARTIAL MASONRY WALLS

<b>MA06</b>
<b>AA</b>

[Download the DWG file by clicking here.](#)

[To Section Index](#)

Wall Panel to Masonry Details  
 Masonry Applications Partial Masonry Walls  
 MA07/AA



**WALL PANEL TO MASONRY DETAILS**  
 MASONRY APPLICATIONS PARTIAL MASONRY WALLS

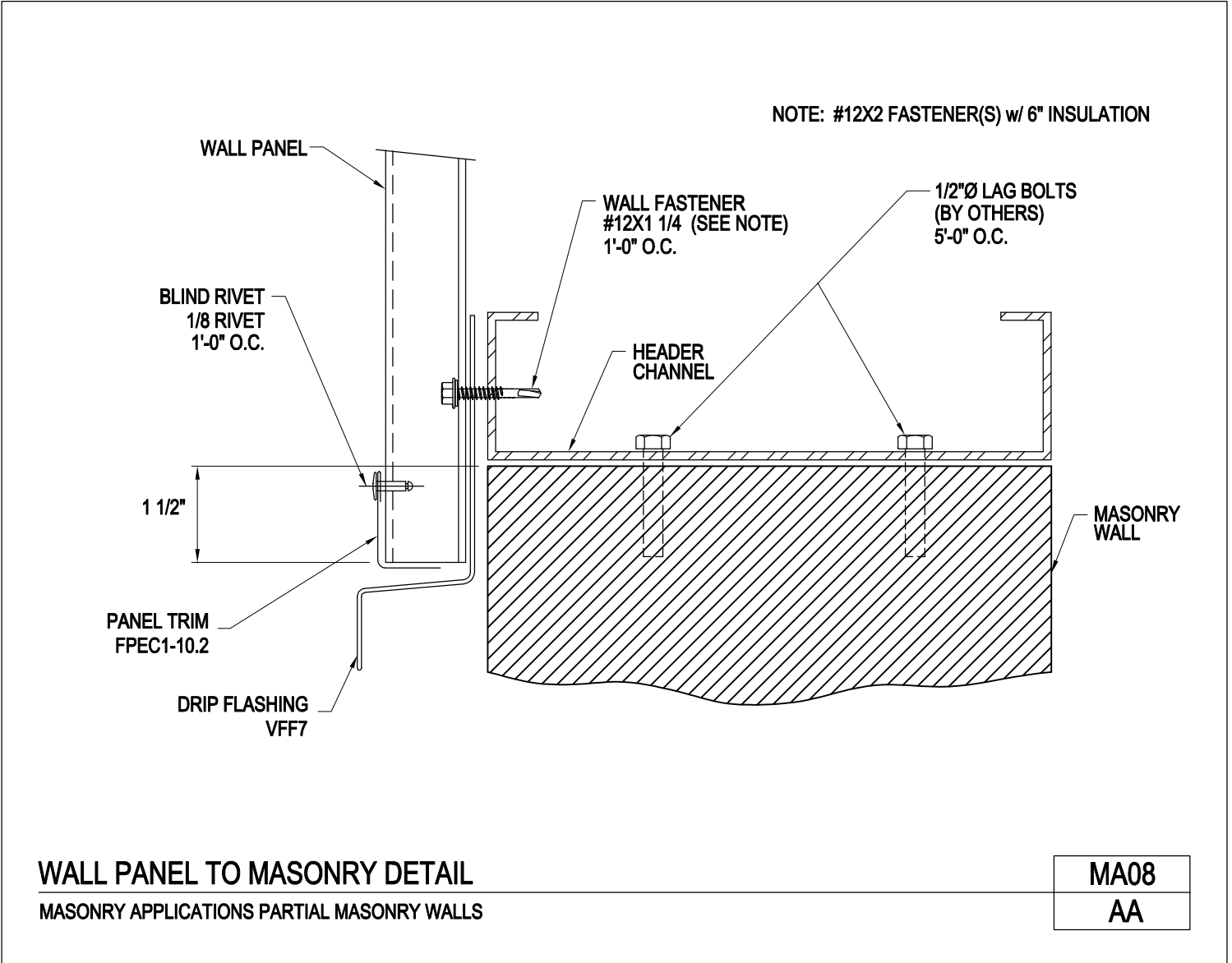
MA07
AA

[Download the DWG file by clicking here.](#)

[To Section Index](#)



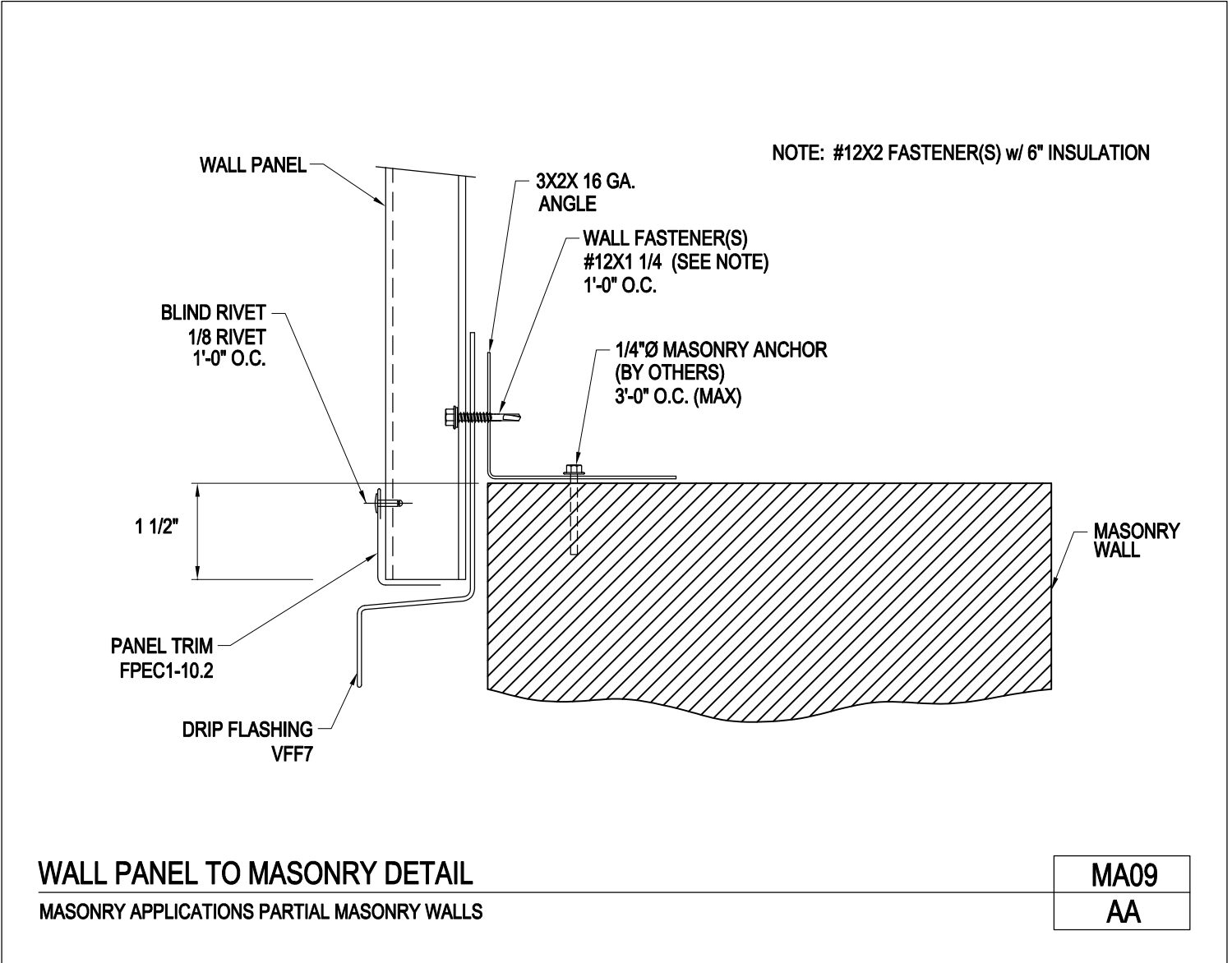
Wall Panel to Masonry Detail  
 Masonry Applications Partial Masonry Walls  
 MA08/AA



[Download the DWG file by clicking here.](#)

[To Section Index](#)

Wall Panel to Masonry Detail  
 Masonry Applications Partial Masonry Walls  
 MA09/AA

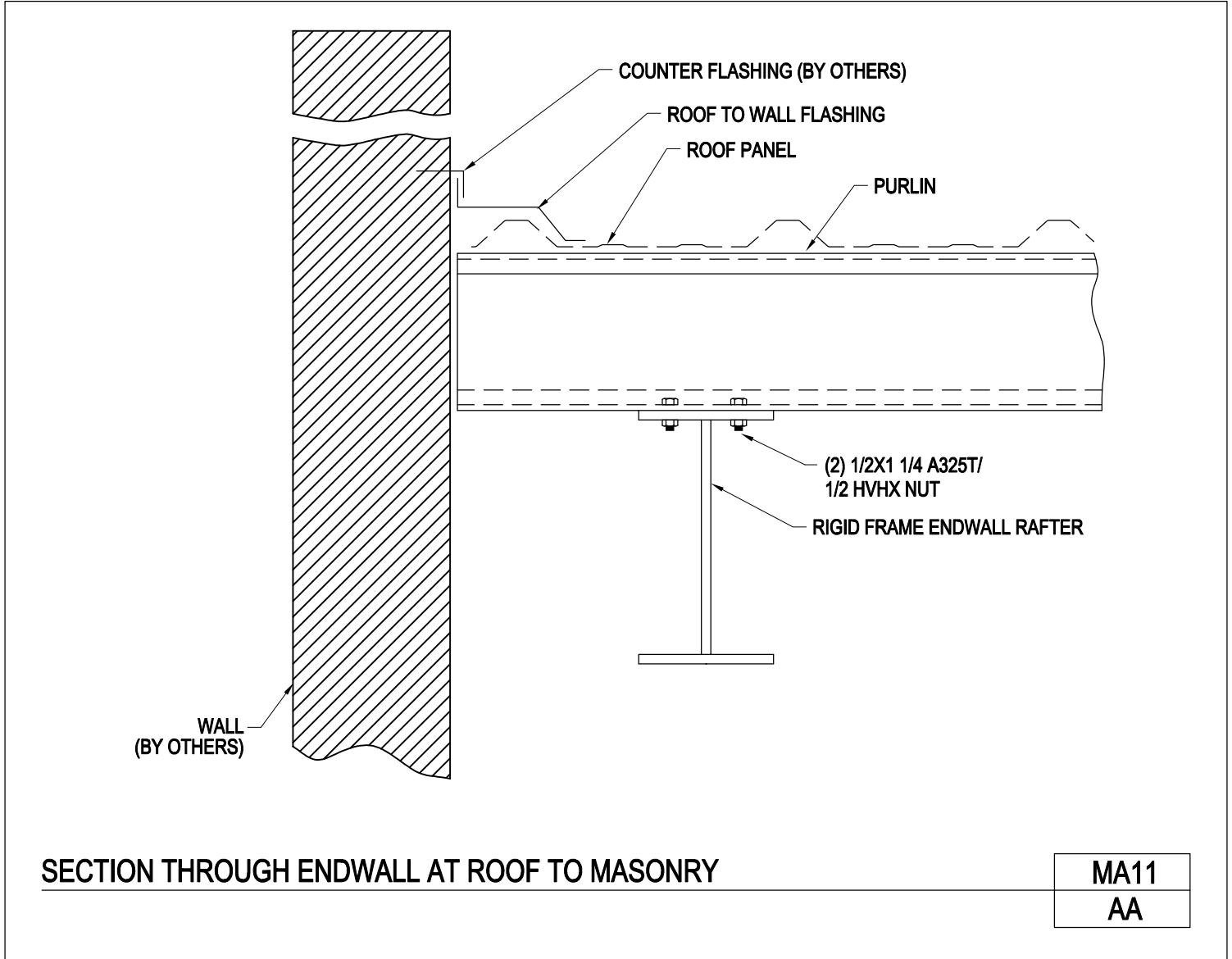


[Download the DWG file by clicking here.](#)

[To Section Index](#)

Section Through Endwall at Roof to Masonry

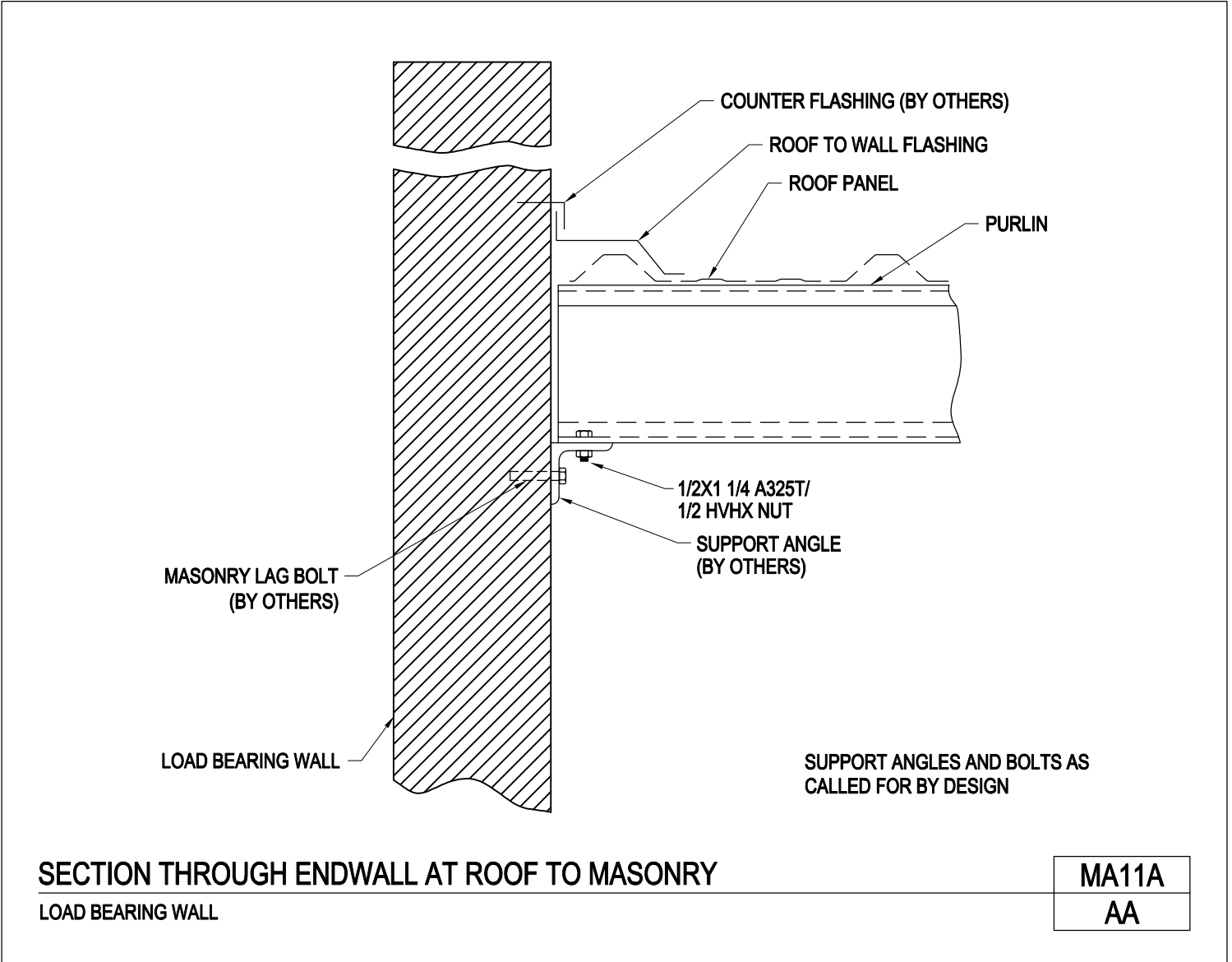
MA11/AA



[Download the DWG file by clicking here.](#)

[To Section Index](#)

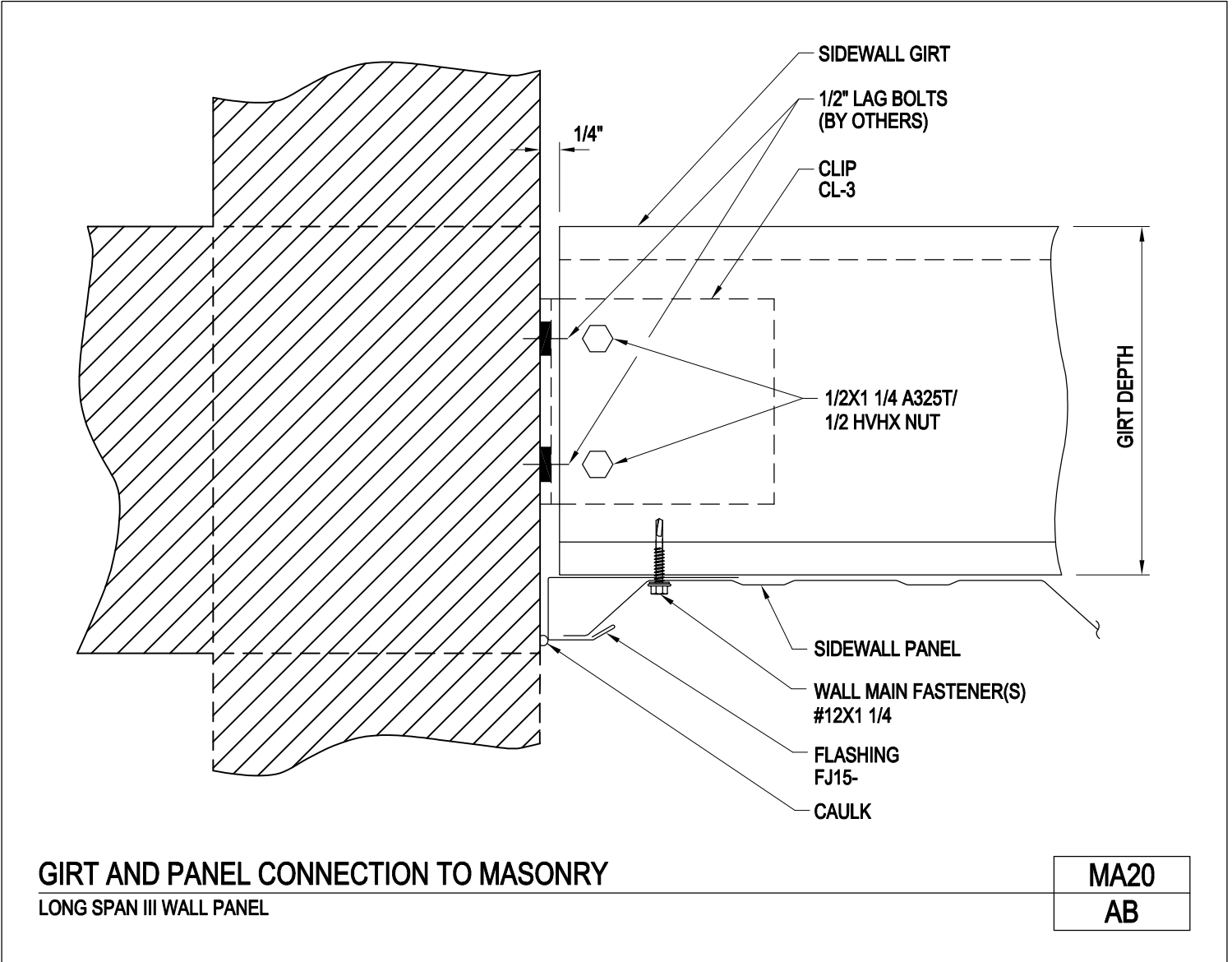
Section Through Endwall at Roof to Masonry  
Load Bearing Wall  
MA11A/AA



[Download the DWG file by clicking here.](#)

[To Section Index](#)

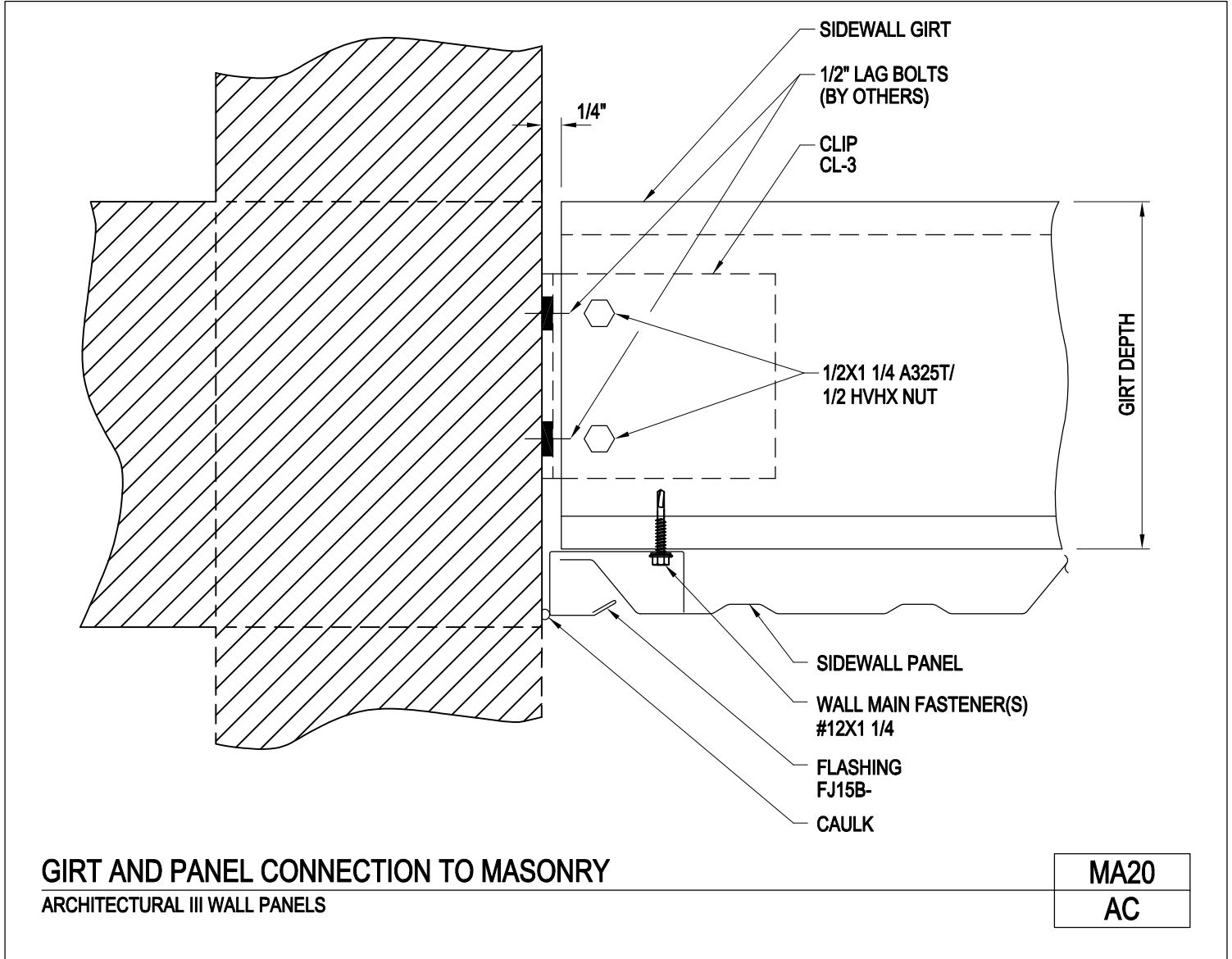
Girt and Panel Connection to Masonry  
Long Span III Wall Panel  
MA20/AB



[Download the DWG file by clicking here.](#)

[To Section Index](#)

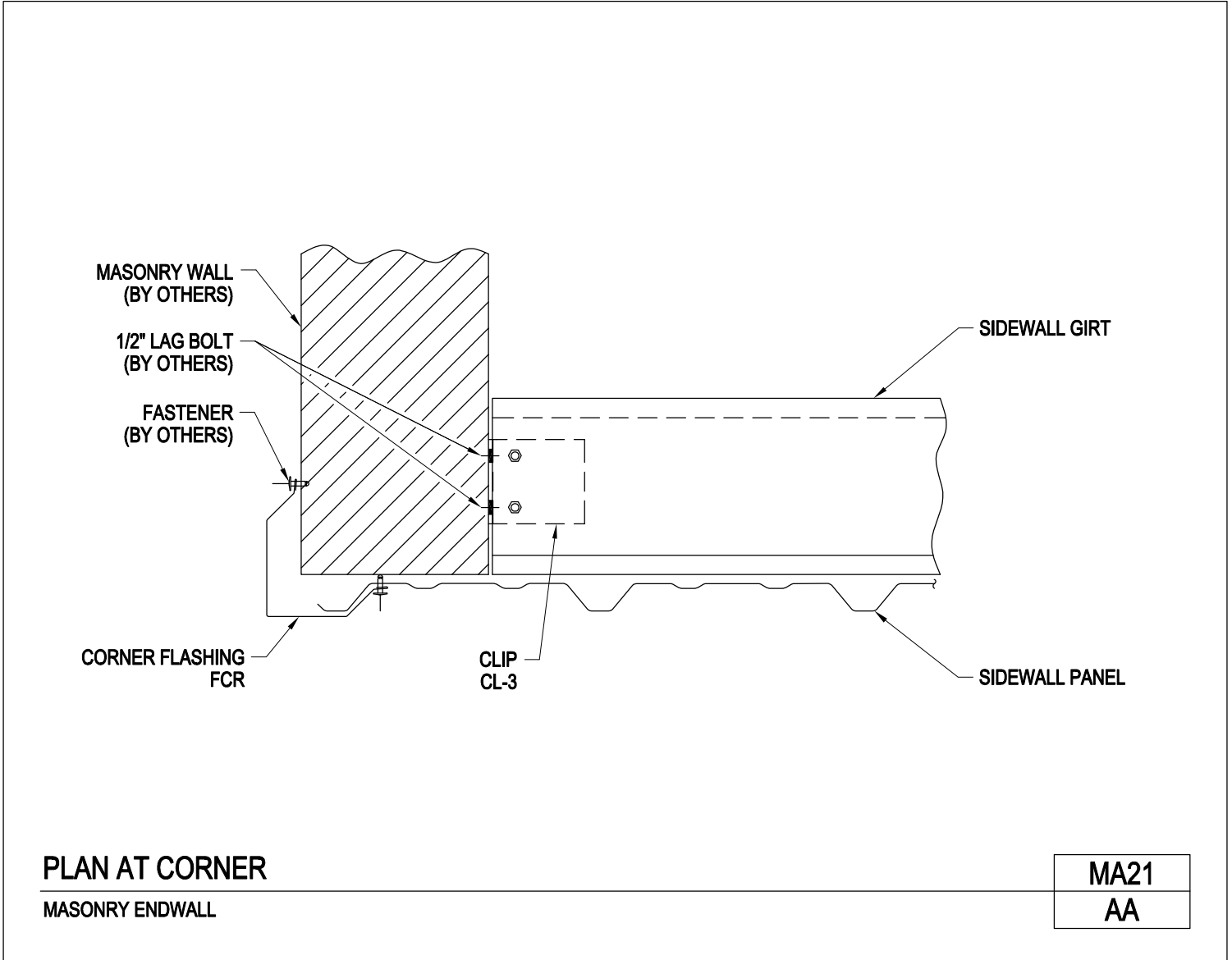
Girt and Panel Connection to Masonry  
Architectural III Walls  
MA20/AC



[Download the DWG file by clicking here.](#)

[To Section Index](#)

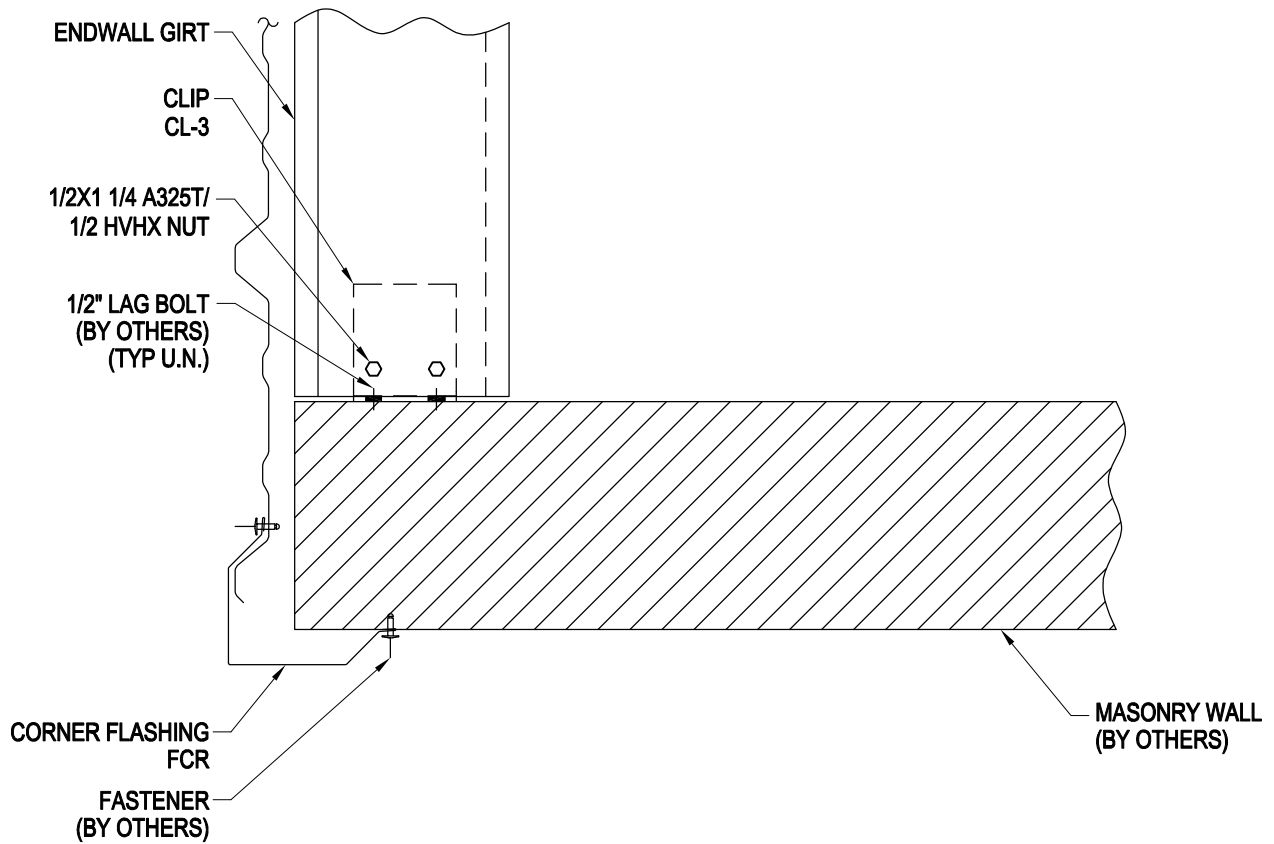
Plan at Corner  
Masonry Endwall  
MA21/AA



[Download the DWG file by clicking here.](#)

[To Section Index](#)

Plan at Corner  
Masonry Sidewall  
MA21A/AA



**PLAN AT CORNER**

MASONRY SIDE WALL

MA21A
AA

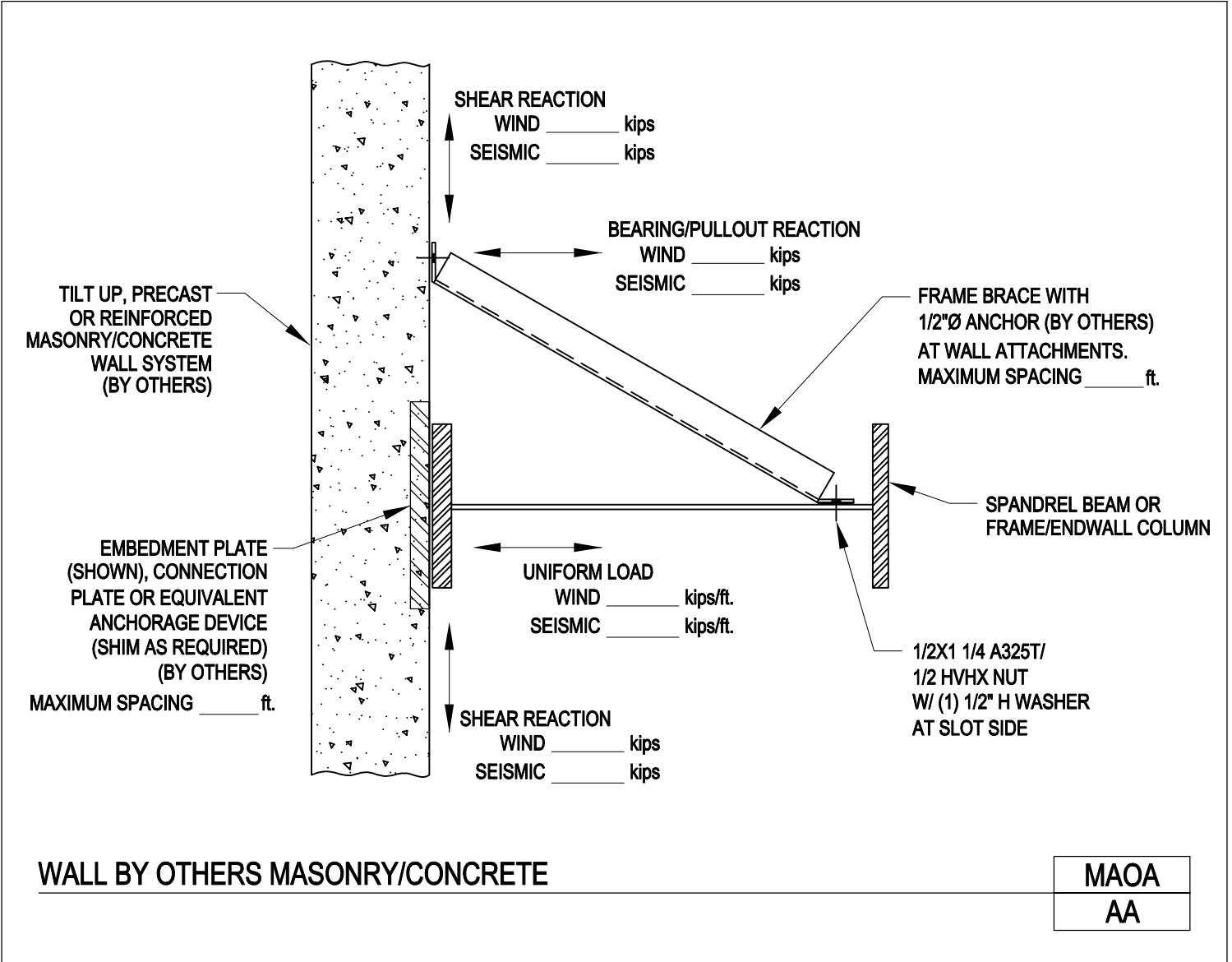
[Download the DWG file by clicking here.](#)

[To Section Index](#)



Wall by Others Masonry/Concrete

MAOA/AA

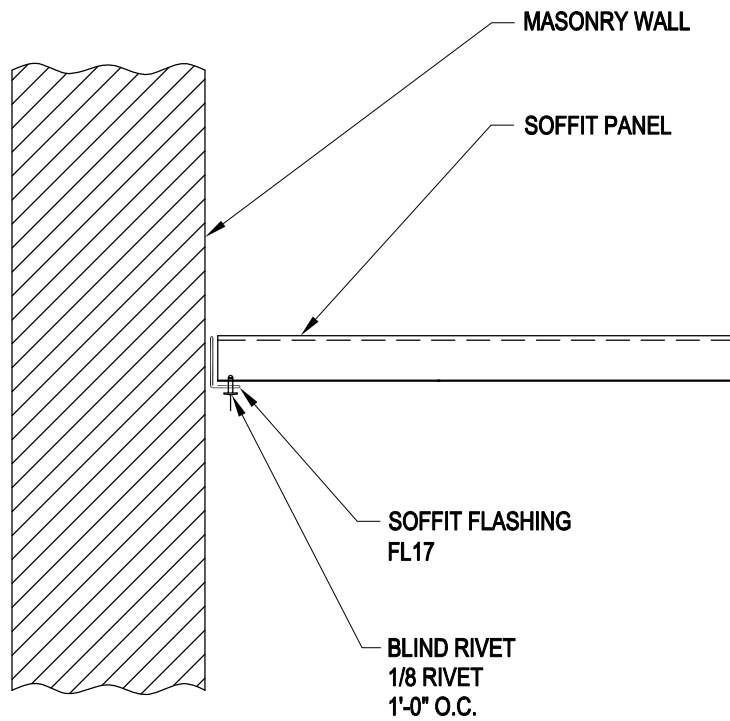


[Download the DWG file by clicking here.](#)

[To Section Index](#)

## Trim Detail at Masonry Wall to Soffit

SF17A/JA



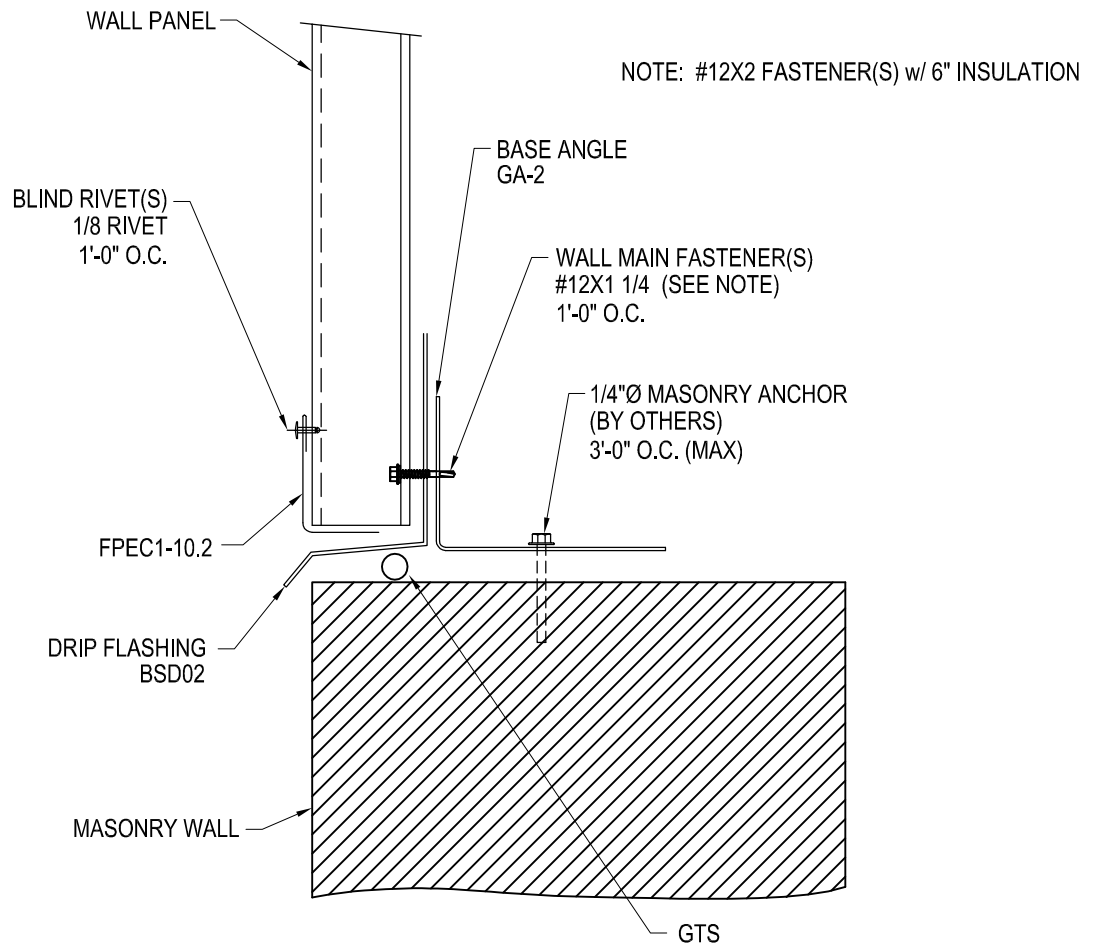
**TRIM DETAIL AT MASONRY WALL TO SOFFIT**

<b>SF17A</b>
<b>JA</b>

[Download the DWG file by clicking here.](#)

[To Section Index](#)

Wall Panel to Masonry Details  
Masonry Applications Partial Masonry Walls  
WMA07/AA



**WALL PANEL TO MASONRY DETAILS**

MASONRY APPLICATIONS PARTIAL MASONRY WALLS

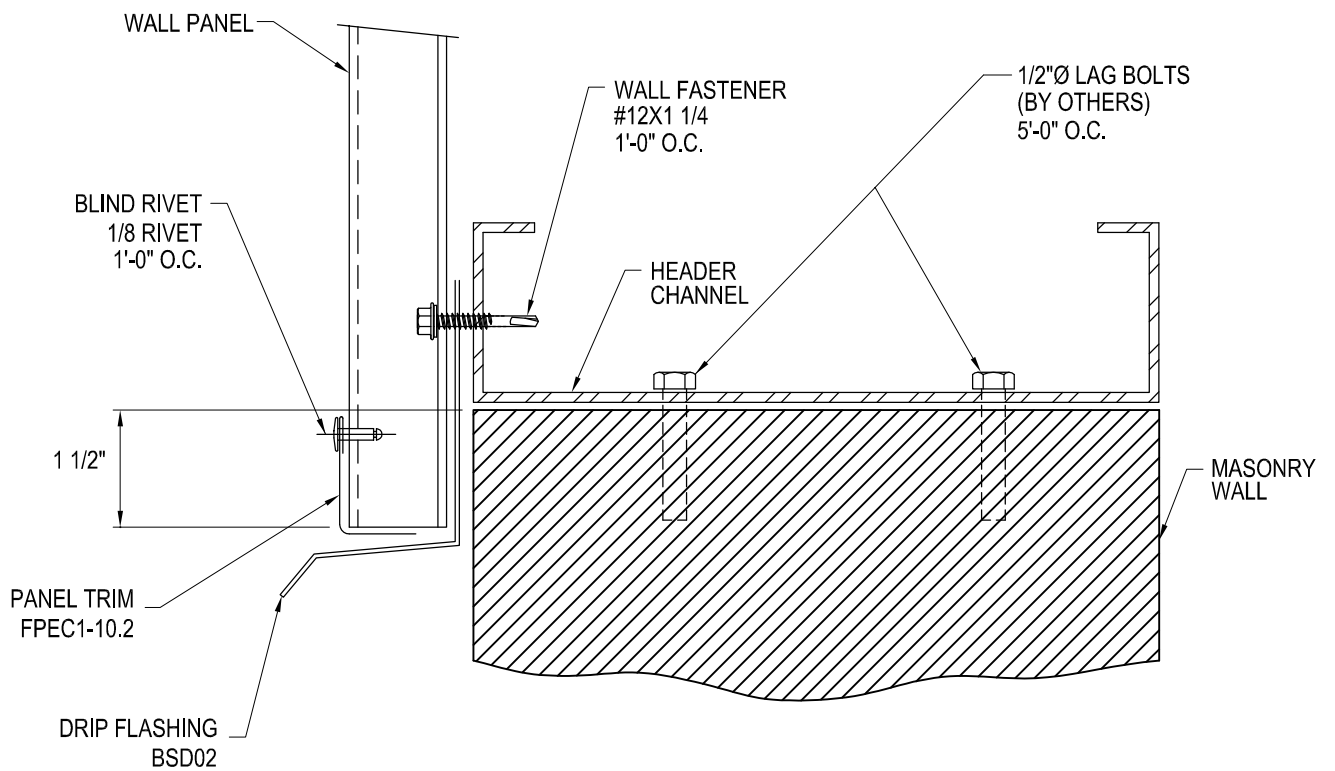
WMA07

AA

[Download the DWG file by clicking here.](#)

[To Section Index](#)

Wall Panel to Masonry Detail  
Masonry Applications Partial Masonry Walls  
WMA08/AA



**WALL PANEL TO MASONRY DETAIL**  
MASONRY APPLICATIONS PARTIAL MASONRY WALLS

WMA08
AA

[Download the DWG file by clicking here.](#)

[To Section Index](#)



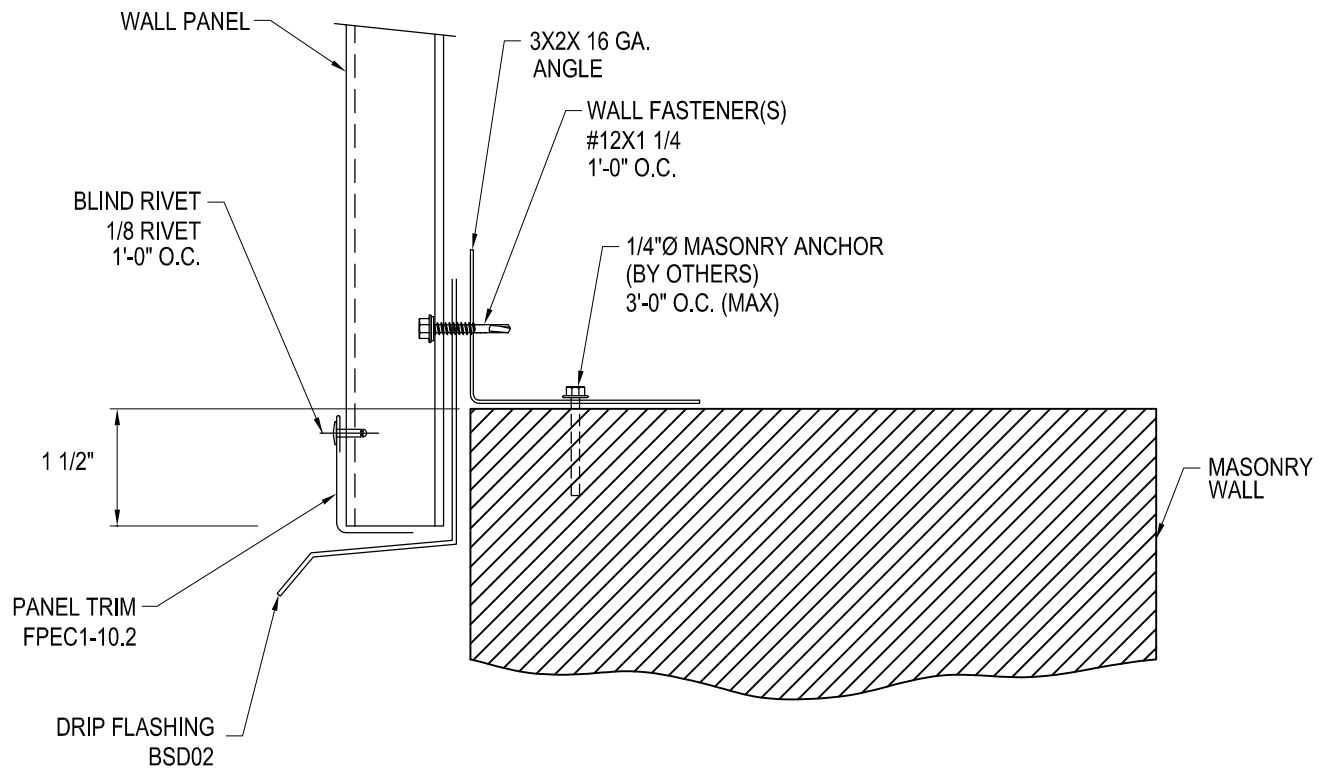
**AMERICAN  
BUILDINGS**

A **NUCOR** COMPANY

# PRODUCT MANUAL

MASONRY DETAILS

Wall Panel to Masonry Detail  
Masonry Applications Partial Masonry Walls  
WMA09/AA



## WALL PANEL TO MASONRY DETAIL

MASONRY APPLICATIONS PARTIAL MASONRY WALLS

WMA09

AA

[Download the DWG file by clicking here.](#)

[To Section Index](#)



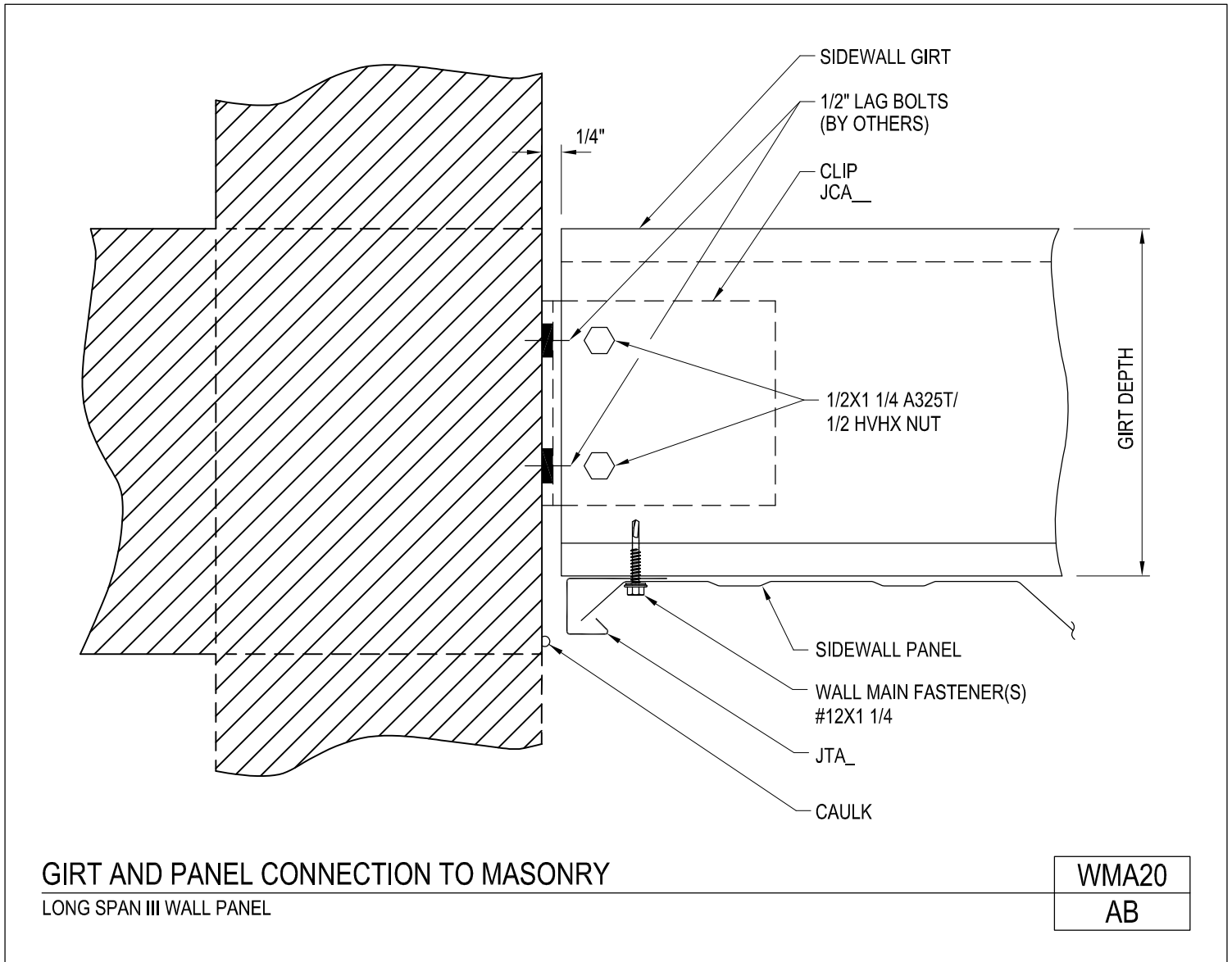
**AMERICAN  
BUILDINGS**

A **NUCOR** COMPANY

# PRODUCT MANUAL

MASONRY DETAILS

Girt and Panel Connection to Masonry  
Long Span III Wall Panel  
WMA20/AB



[Download the DWG file by clicking here.](#)

[To Section Index](#)



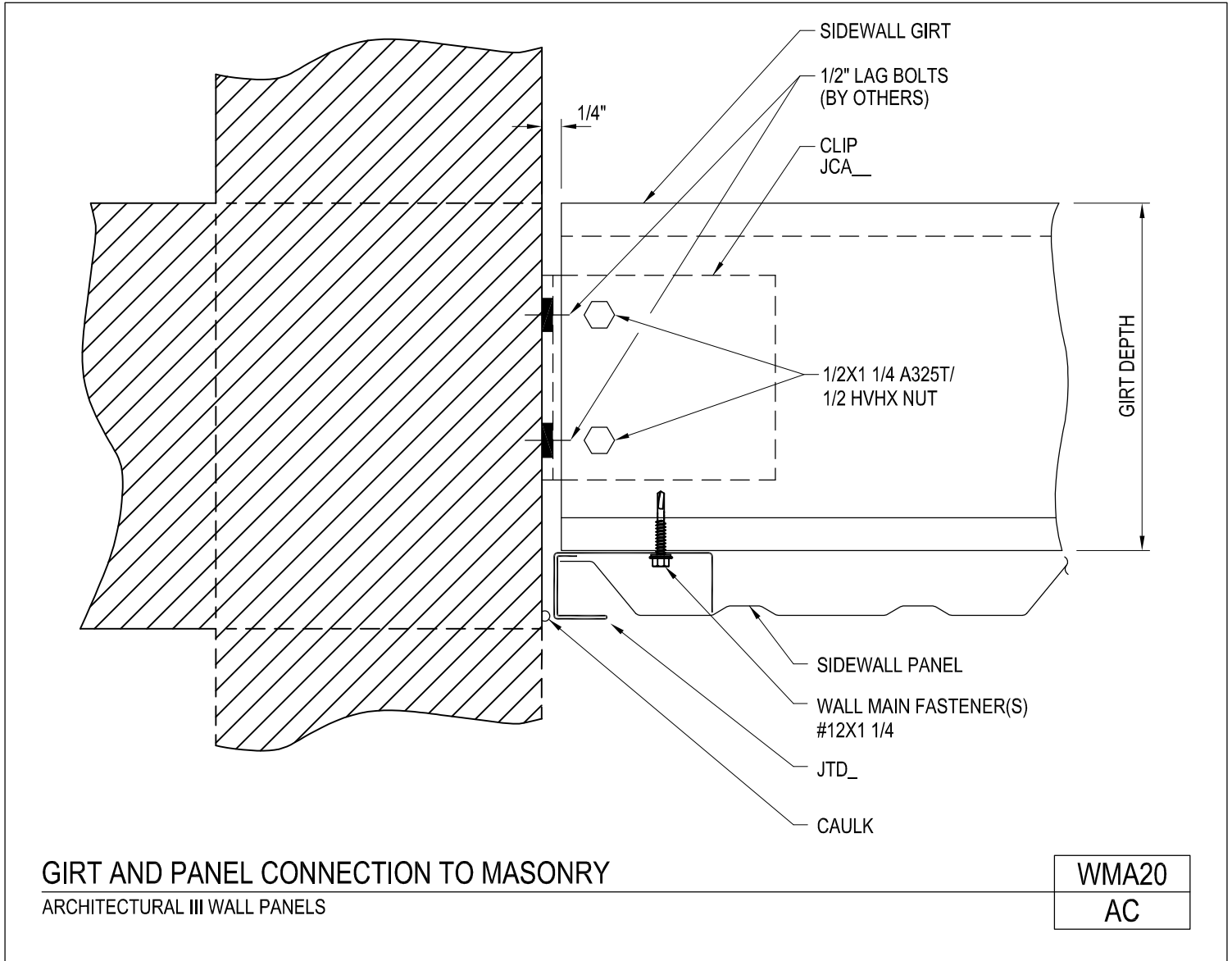
**AMERICAN  
BUILDINGS**

A **NUCOR** COMPANY

# PRODUCT MANUAL

MASONRY DETAILS

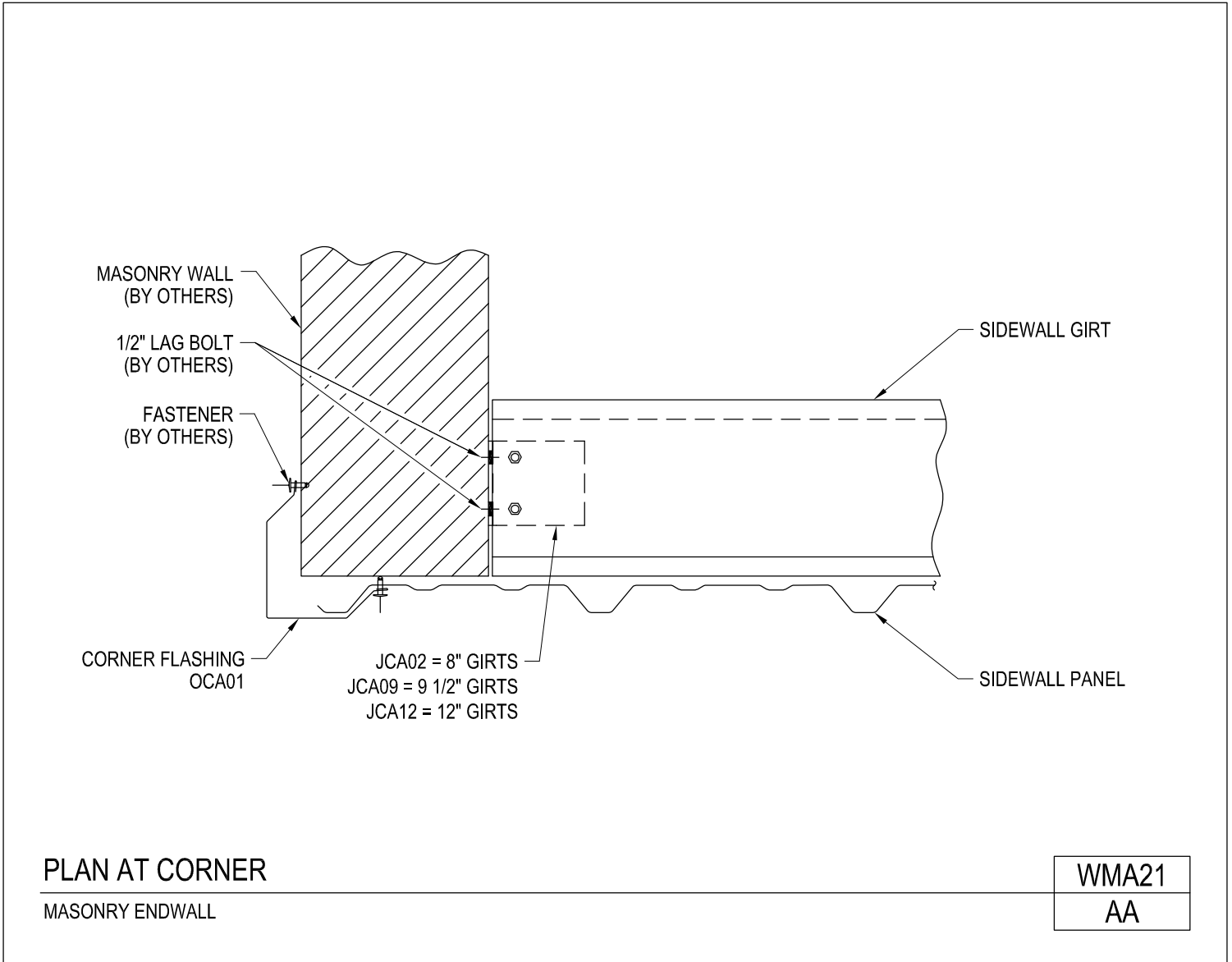
Girt and Panel Connection to Masonry  
Architectural III Walls  
WMA20/AC



[Download the DWG file by clicking here.](#)

[To Section Index](#)

Plan at Corner  
Masonry Endwall  
WMA21/AA



[Download the DWG file by clicking here.](#)

[To Section Index](#)





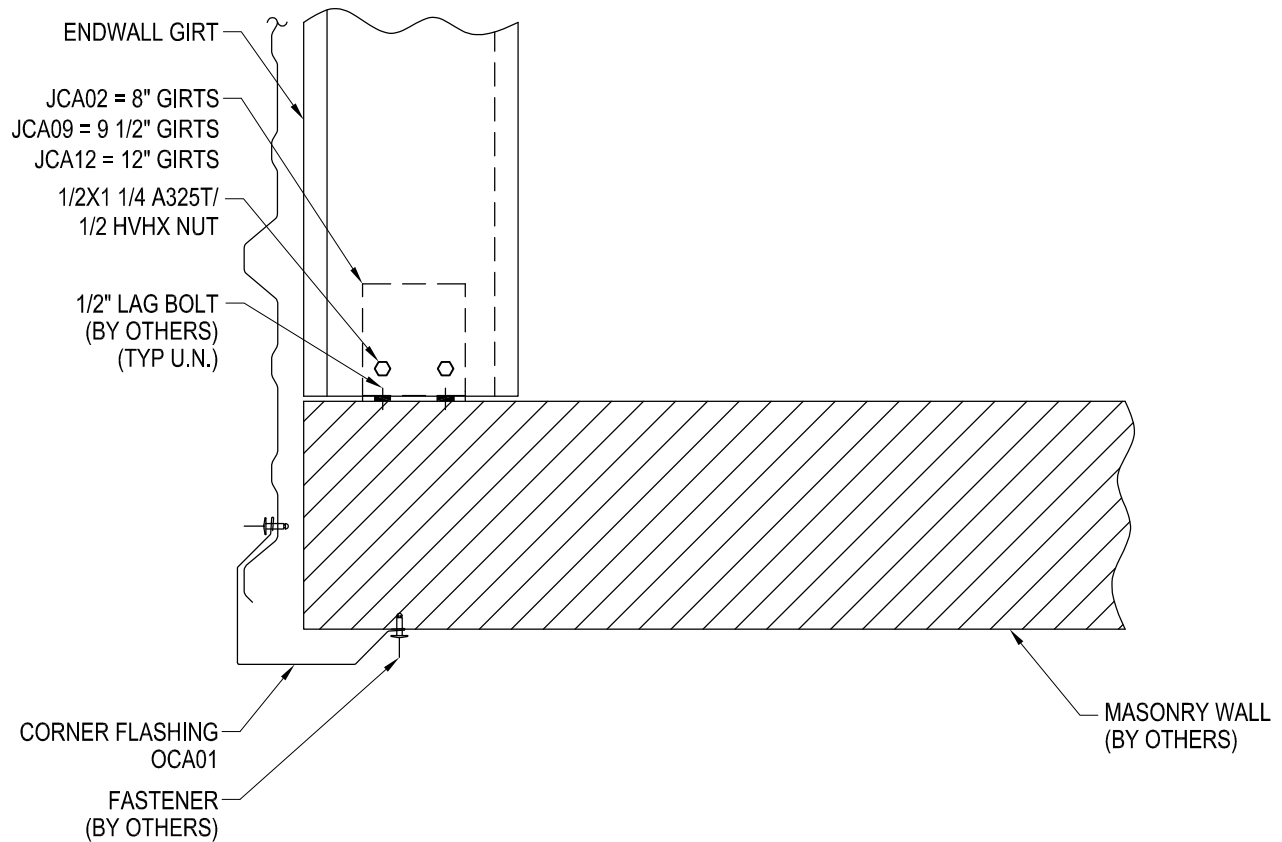
**AMERICAN  
BUILDINGS**

A **NUCOR** COMPANY

# PRODUCT MANUAL

MASONRY DETAILS

Plan at Corner  
Masonry Sidewall  
WMA21A/AA



**PLAN AT CORNER**

MASONRY SIDE WALL

WMA21A

AA

[Download the DWG file by clicking here.](#)

[To Section Index](#)