

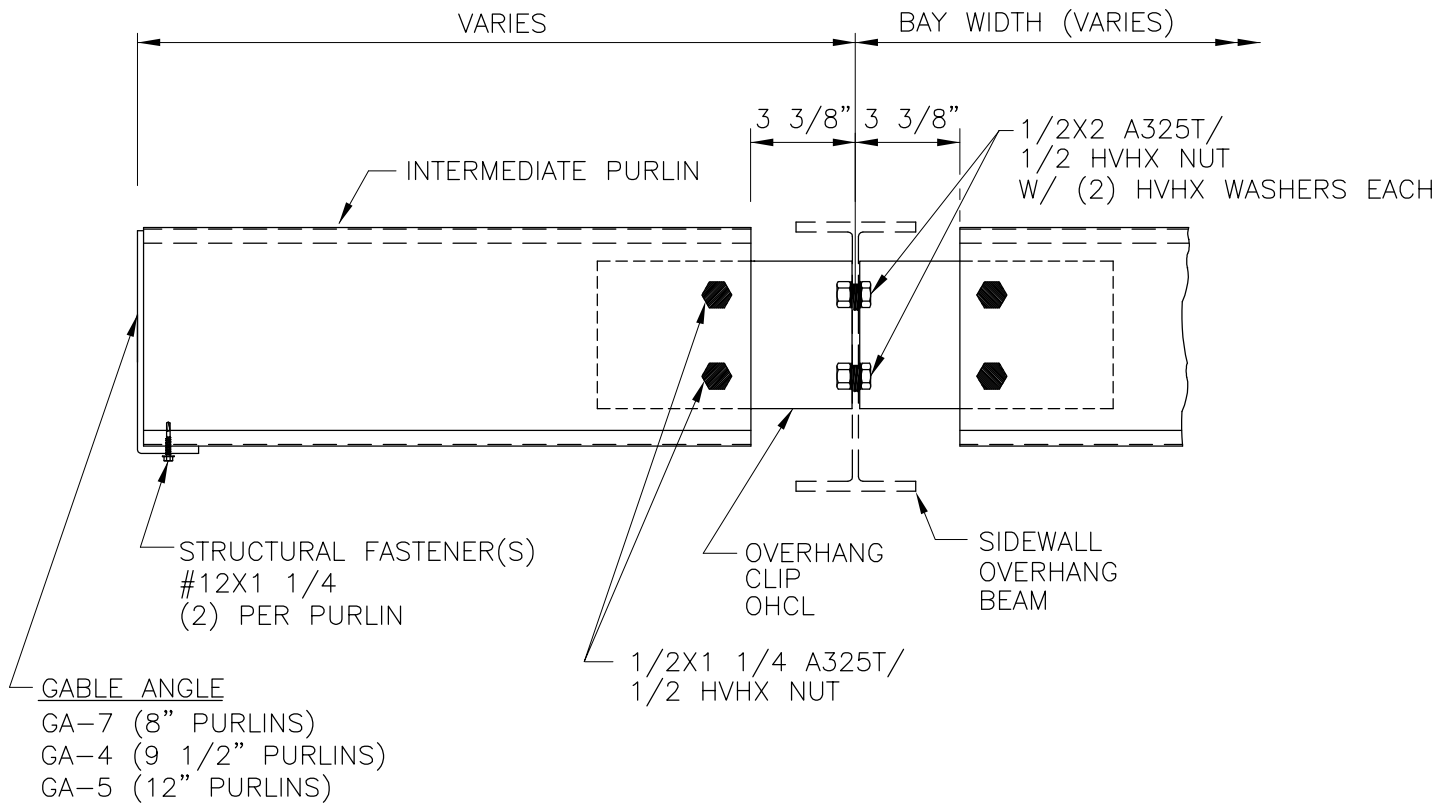
Product Manual - Overhangs

BR82/AA, Sidewall Overhang Intermediate Purlin Support
BR82/BA, Sidewall Overhang Intermediate Purlin Support
CN08/AA, Section Through Canopy or Overhang at Main Building Low Eave
CN08/BA, Section Through Canopy or Overhang at Low Eave
CN10/AA, Retainer Flashing Detail
EA38/AA, Eave Member Type at Lowside
EA38A/AA, Eave Member Type at Lowside
EA38B/AA, Eave Member Type at Highside
EA38BA/AA, Eave Member Type at Highside
LP82/BA, Roof Liner/Soffit Lap Detail
SF01/AA, Low Sidewall Overhang Tapered Column
SF01A/AA, Low Sidewall Overhang Straight Column
SF02/AA, Typical Intermediate Framing at Tapered Column
SF02A/AA, Typical Framing Detail at Flush/Inset Endframe
SF02B/AA, Typical Framing Detail at Straight Column
SF03/AA, Section at Low Sidewall Roof Overhang
SF03A/AA, Section at Low Sidewall Roof Overhang
SF03B/AA, Section at High Sidewall Roof Overhang
SF03BA/AA, Section at High Sidewall Roof Overhang
SF11/AA, High Sidewall Overhang Tapered Column
SF11A/AA, High Sidewall Overhang Straight Column
SF11/JA, Detail at Ridge Roof Liner/Soffit
SF12/JA, Roof Liner/Soffit Liner Transition at Purlin
SF50/AA, Roof Framing Plan at Endwall Overhang
SF51/BA, Section at Endwall Overhang Eave (w/ Sheeted SW)
SF52/AA, Section at Endwall Overhang Eave
SF55/AA, Section at Endwall Overhang Rake
SF55/BA, Section at Endwall Overhang Rake
SF56/AA, Section at Endwall Overhang Rake
SF57A/OA, Section Through Overhang at High Eave
SF57/JA, Section at Endwall Overhang Ridge
SF57/OA, Section Through Overhang at High Eave
SF58/BA, Section at Endwall Overhang Ridge
SF59/JA, Detail at Corner Overhang Transition
SF60/AA, Section at Endwall Overhang Rake
SFOA/AA, Roof Framing Layout For Sidewall Roof Overhang
SFOB/AA, Overhang Framing and Flashing Schedule

SFOBA/AA, Overhang Framing and Flashing Schedule
WBR82AA, Sidewall Overhang Intermediate Purlin Support
WBR82/BA, Sidewall Overhang Intermediate Purlin Support
WSF04/AA, Low Eave Extension
WSF04/AA, Low Eave Extension
WSF04A/AA, Low Eave Extension
WSF04W/AA, Intermediated Purlin Connection
WSF04WA/AA, Intermediated Purlin Connection
WSF04Y/AA, Low Eave Extension Detail
WSF04Z/AA, Low Eave Extension Detail
WSF05Z/AA, Low Eave Extension Detail
WSF10/AA, High Eave Extension Detail
WSF10A/AA, High Eave Extension Detail
WSF10B/AA, High Eave Extension Detail
WSF10W/AA, High Eave Extension Detail
WSF10Y/AA, High Eave Extension Detail

Sidewall Overhang Intermediate Purlin Support
Standing Seam & Loc Seam Roofs
BR82/AA

GABLE ANGLE IS REQUIRED AT THE BOTTOM OF THE PURLINS FOR CONTINUOUS SUPPORT OF INTERMEDIATE PURLINS AND FLASHING CONNECTIONS. THE GABLE ANGLE MUST EXTEND FROM THE OVERHANG CEE TO THE FIRST FULL BAY PURLIN OF THE MAIN BUILDING AT A MINIMUM.



SIDEWALL OVERHANG INTERMEDIATE PURLIN SUPPORT
STANDING SEAM, LOC SEAM, & SEAM LOC ROOFS

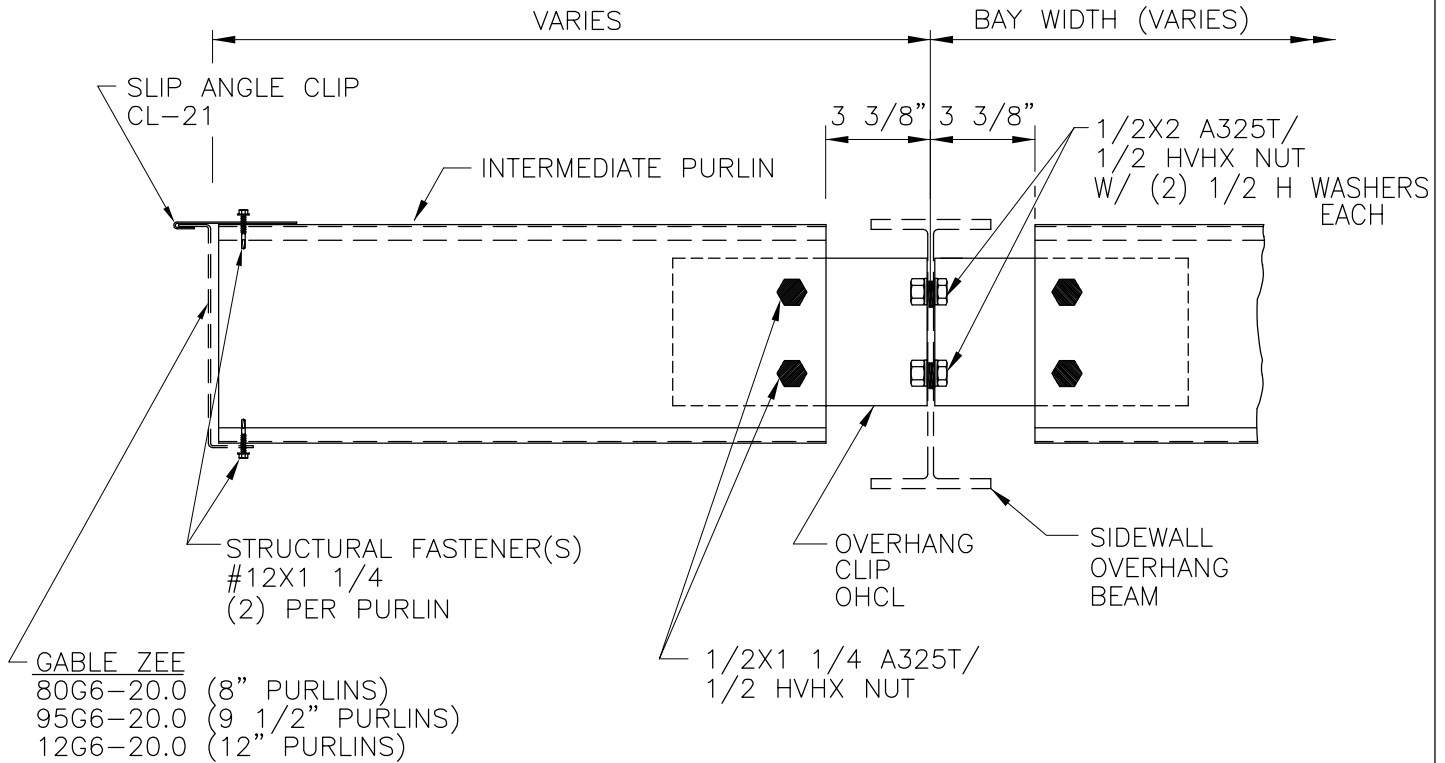
BR82
AA

[Download the DWG file by clicking here.](#)

[To Section Index](#)

Sidewall Overhang Intermediate Purlin Support
Long Span III Roofs
BR82/BA

A GABLE ZEE IS REQUIRED FOR CONTINUOUS SUPPORT OF INTERMEDIATE PURLINS AT SIDEWALL OVERHANGS. THE GABLE ZEE MUST EXTEND FROM THE OVERHANG CEE TO THE FIRST FULL BAY PURLIN AT MAIN BUILDING AT A MINIMUM.



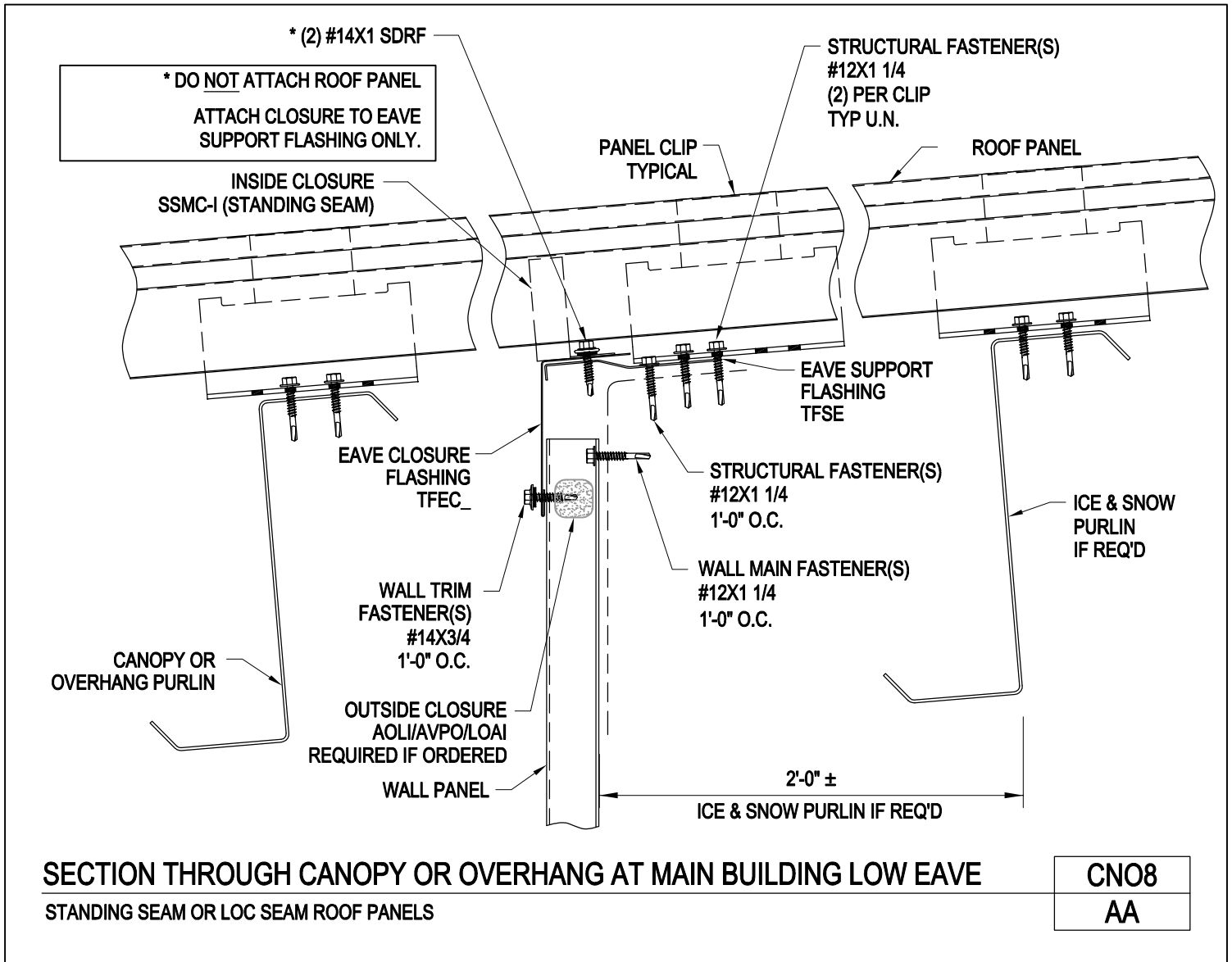
SIDEWALL OVERHANG INTERMEDIATE PURLIN SUPPORT
LONG SPAN III ROOFS

BR82
BA

[Download the DWG file by clicking here.](#)

[To Section Index](#)

Section Through Canopy or Overhang at Main Building Low Eave
 Standing Seam or Loc Seam Roof Panels
 CN08/AA

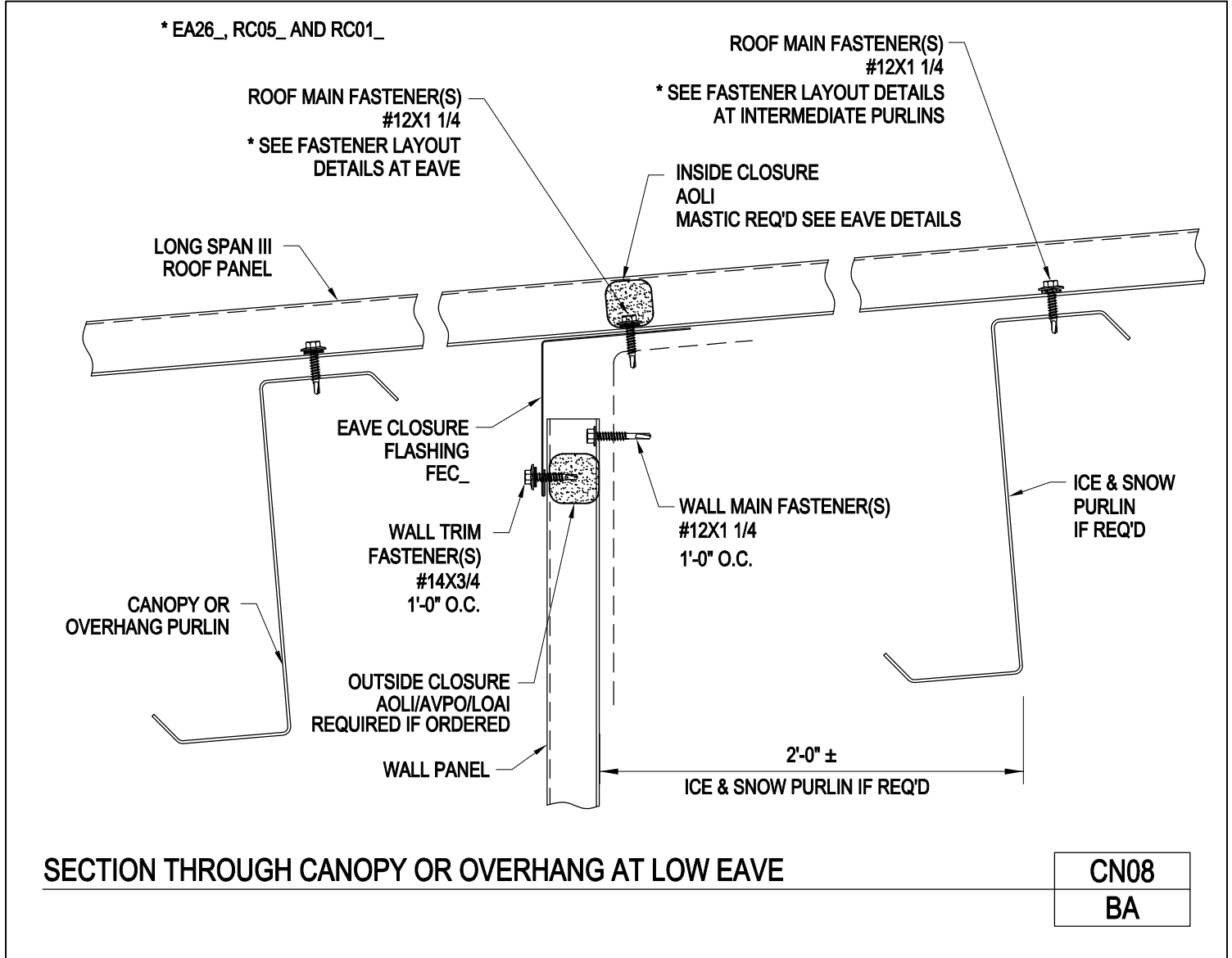


[Download the DWG file by clicking here.](#)

[To Section Index](#)

Section Through Canopy or Overhang at Low Eave

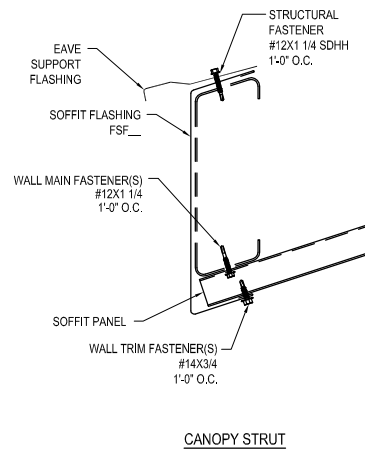
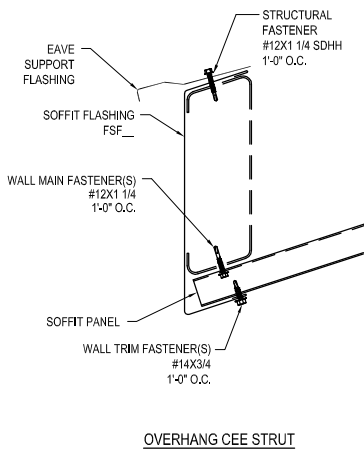
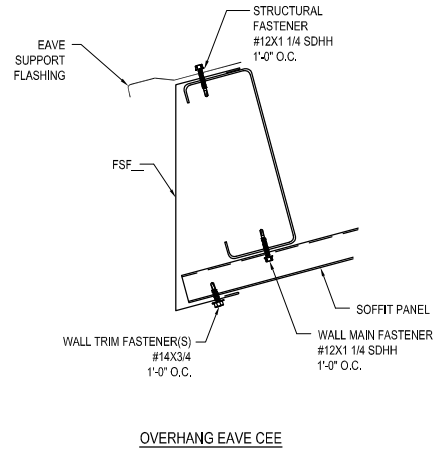
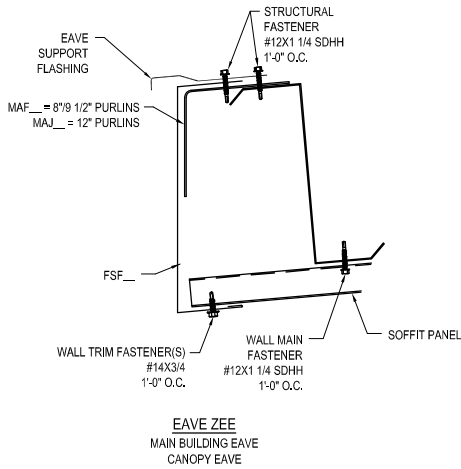
CN08/BA



[Download the DWG file by clicking here.](#)

[To Section Index](#)

Eave Member Type at Low Side
With Soffit
EA38/AA



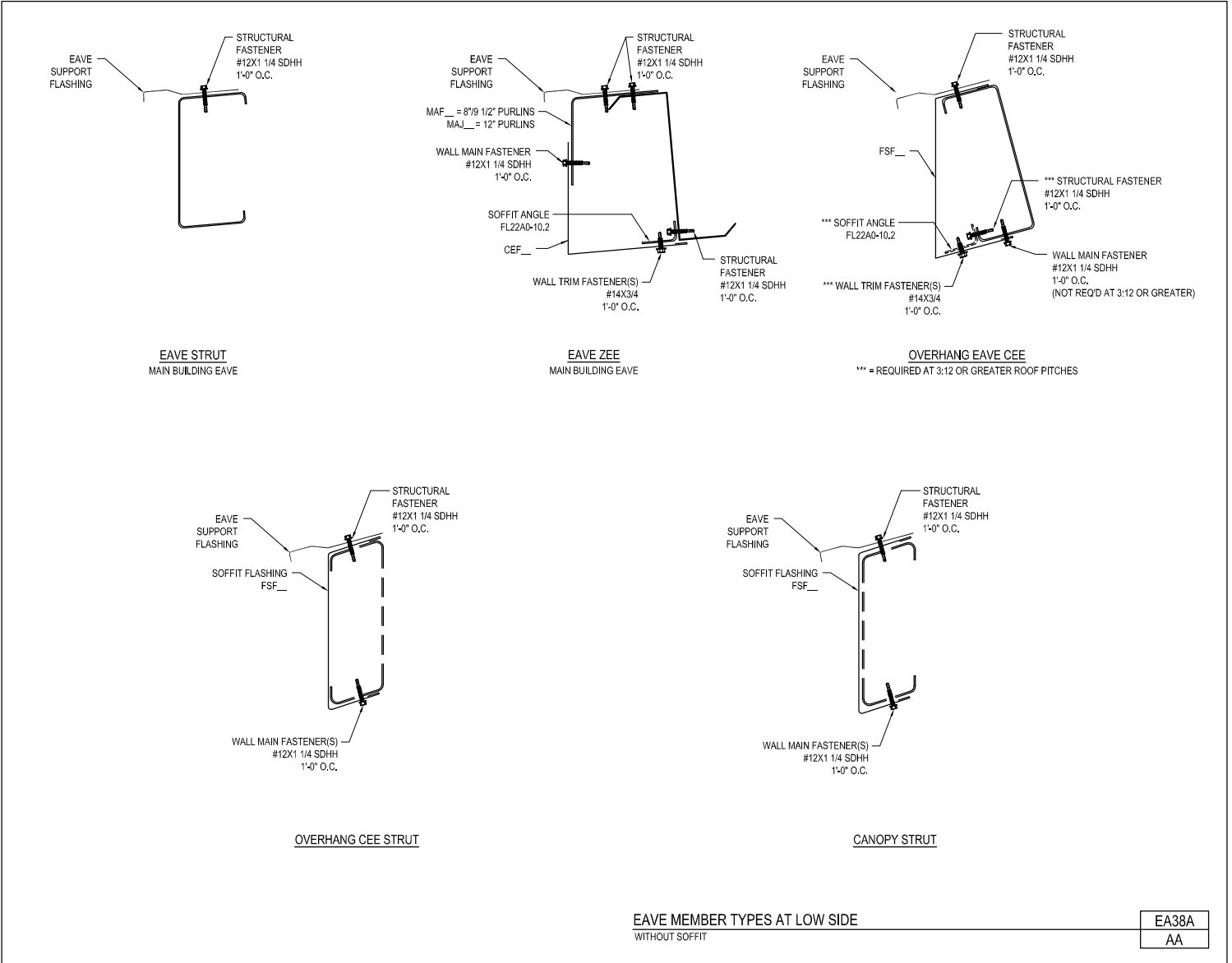
EAVE MEMBER TYPES AT LOW SIDE
WITH SOFFIT

EA38
AA

[Download the DWG file by clicking here.](#)

[To Section Index](#)

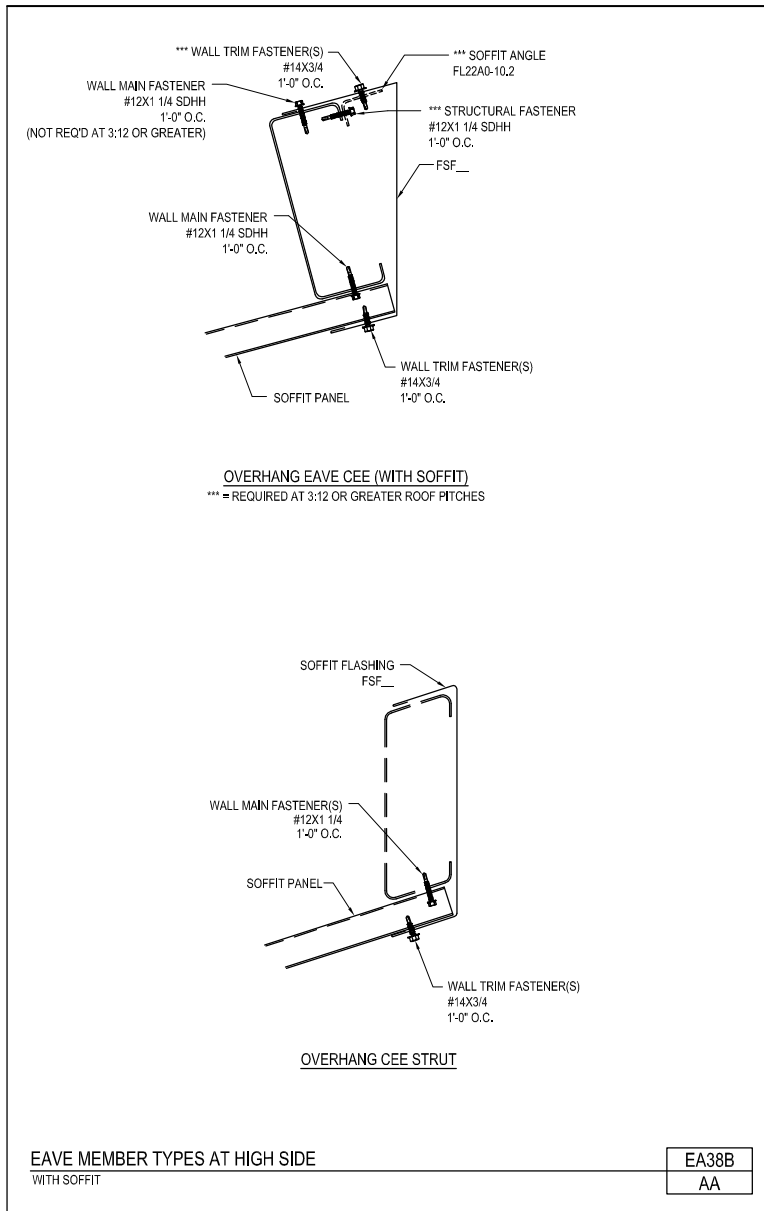
Eave Member Types at Low Side
Without Soffit
EA38A/AA



[Download the DWG file by clicking here.](#)

[To Section Index](#)

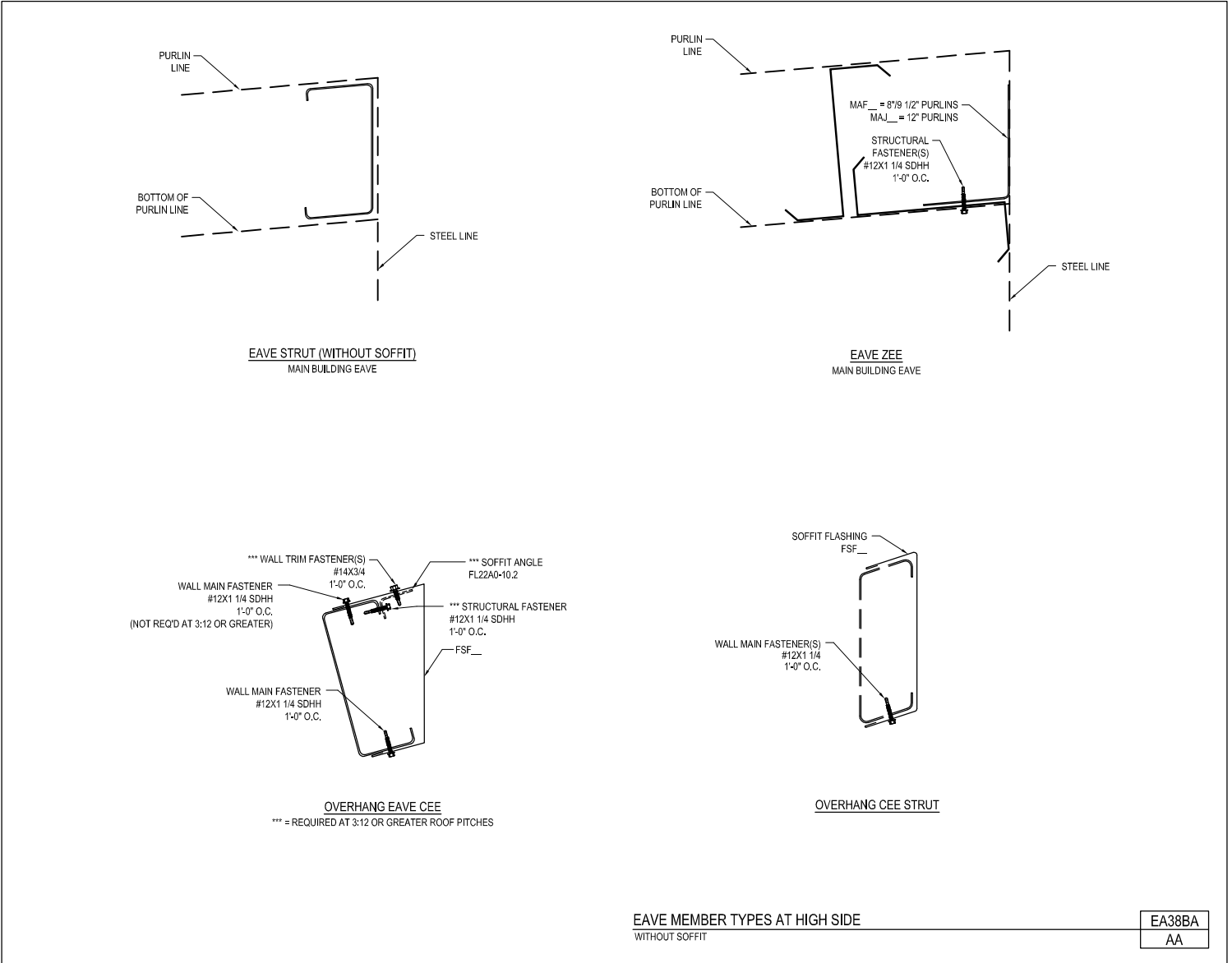
Eave Member Types at High Side
With Soffit
EA38B/AA



[Download the DWG file by clicking here.](#)

[To Section Index](#)

Eave Member Types at High Side
Without Soffit
EA38BA/AA



EAVE MEMBER TYPES AT HIGH SIDE
WITHOUT SOFFIT

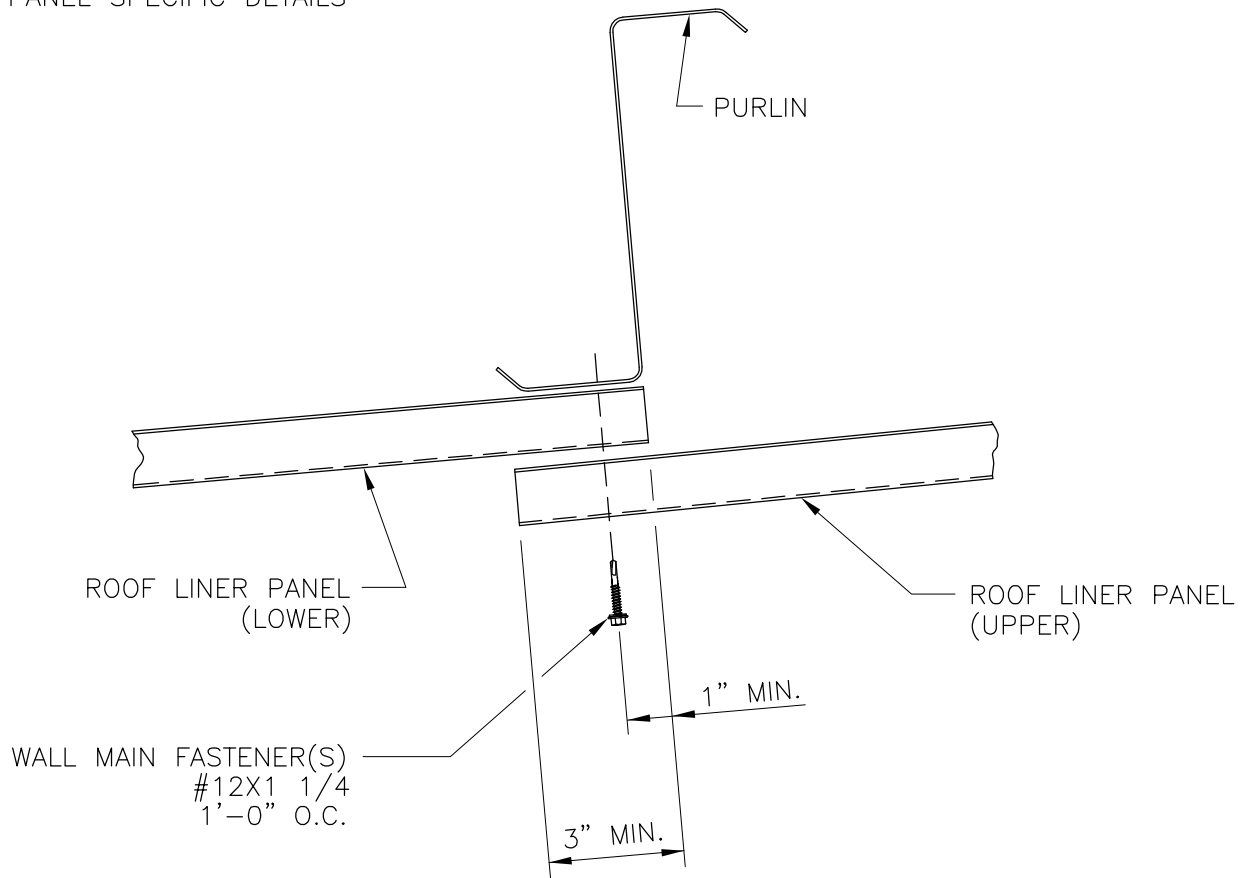
EA38BA
AA

[Download the DWG file by clicking here.](#)

[To Section Index](#)

Roof Liner/Soffit Lap Detail
 Long Span III, Architectural III, or Multi-Rib Liner Panels
 LP82/BA

NOTE: ROOF PANEL NOT SHOWN FOR CLARITY
 SEE PANEL SPECIFIC DETAILS



ROOF LINER/SOFFIT LAP DETAIL
 LONG SPAN III, ARCHITECTURAL III OR MULTI-RIB LINER PANELS

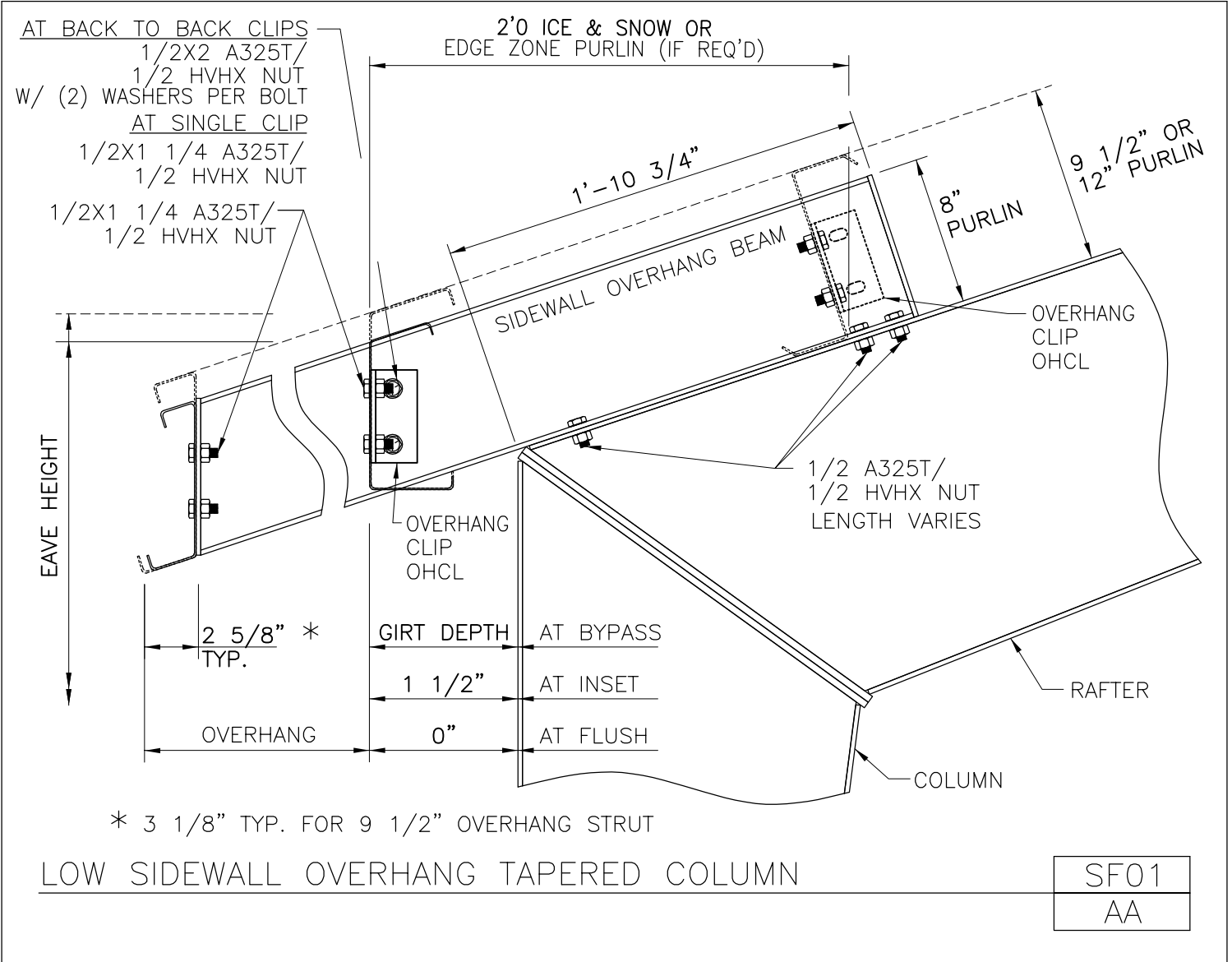
LP82
BA

[Download the DWG file by clicking here.](#)

[To Section Index](#)

Low Sidewall Overhang Tapered Column

SF01/AA

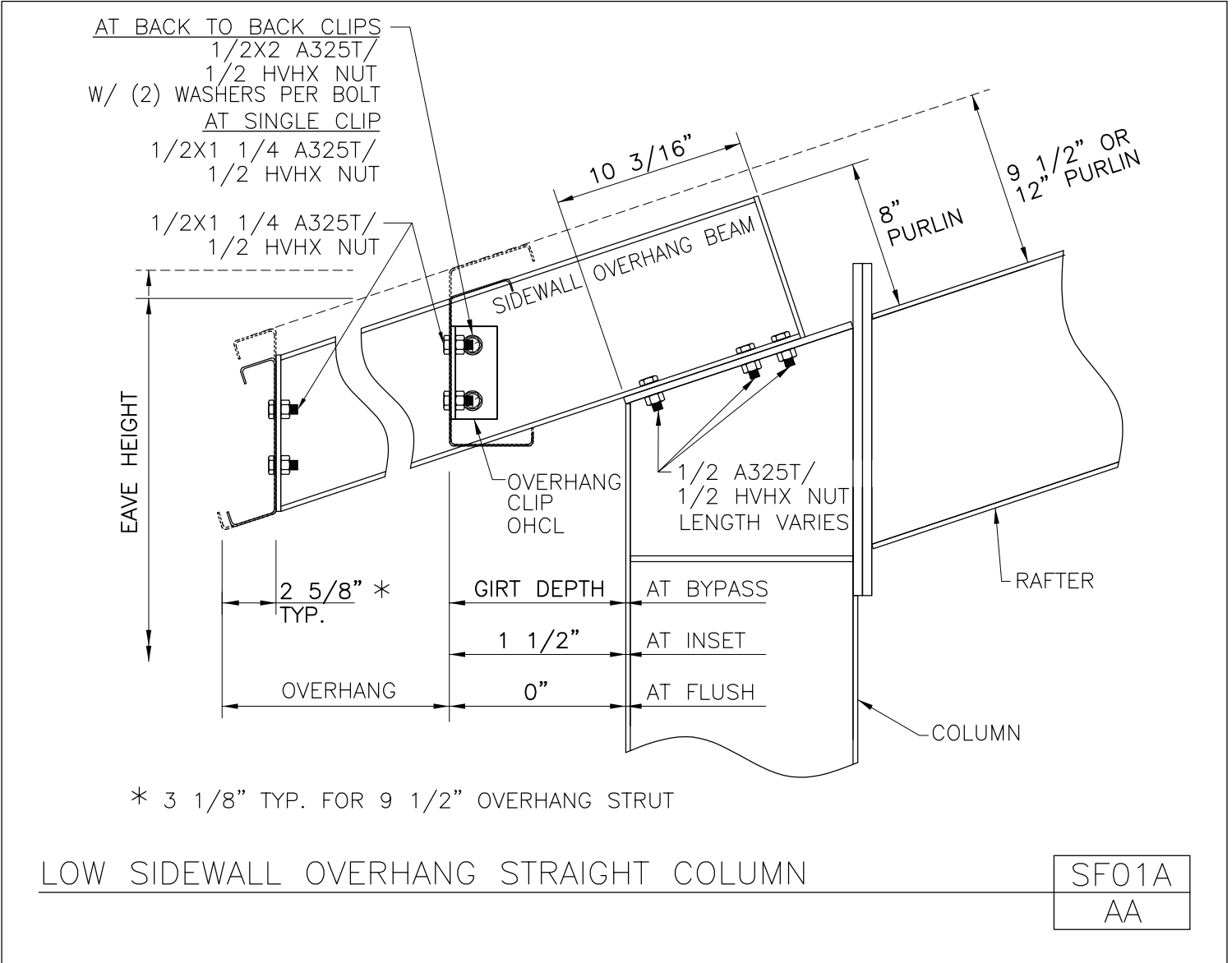


[Download the DWG file by clicking here.](#)

[To Section Index](#)

Low Sidewall Overhang Straight Column

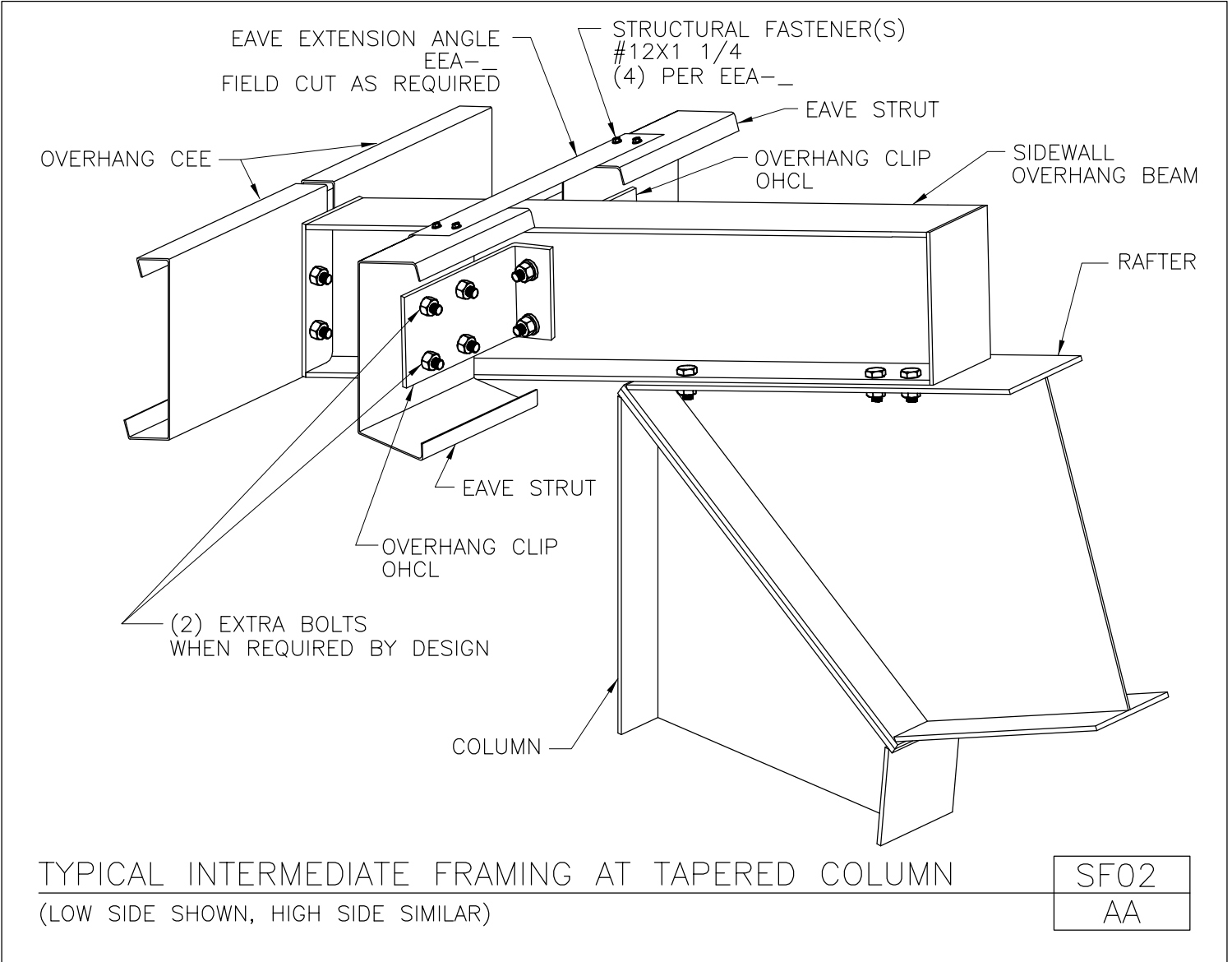
SF01A/AA



[Download the DWG file by clicking here.](#)

[To Section Index](#)

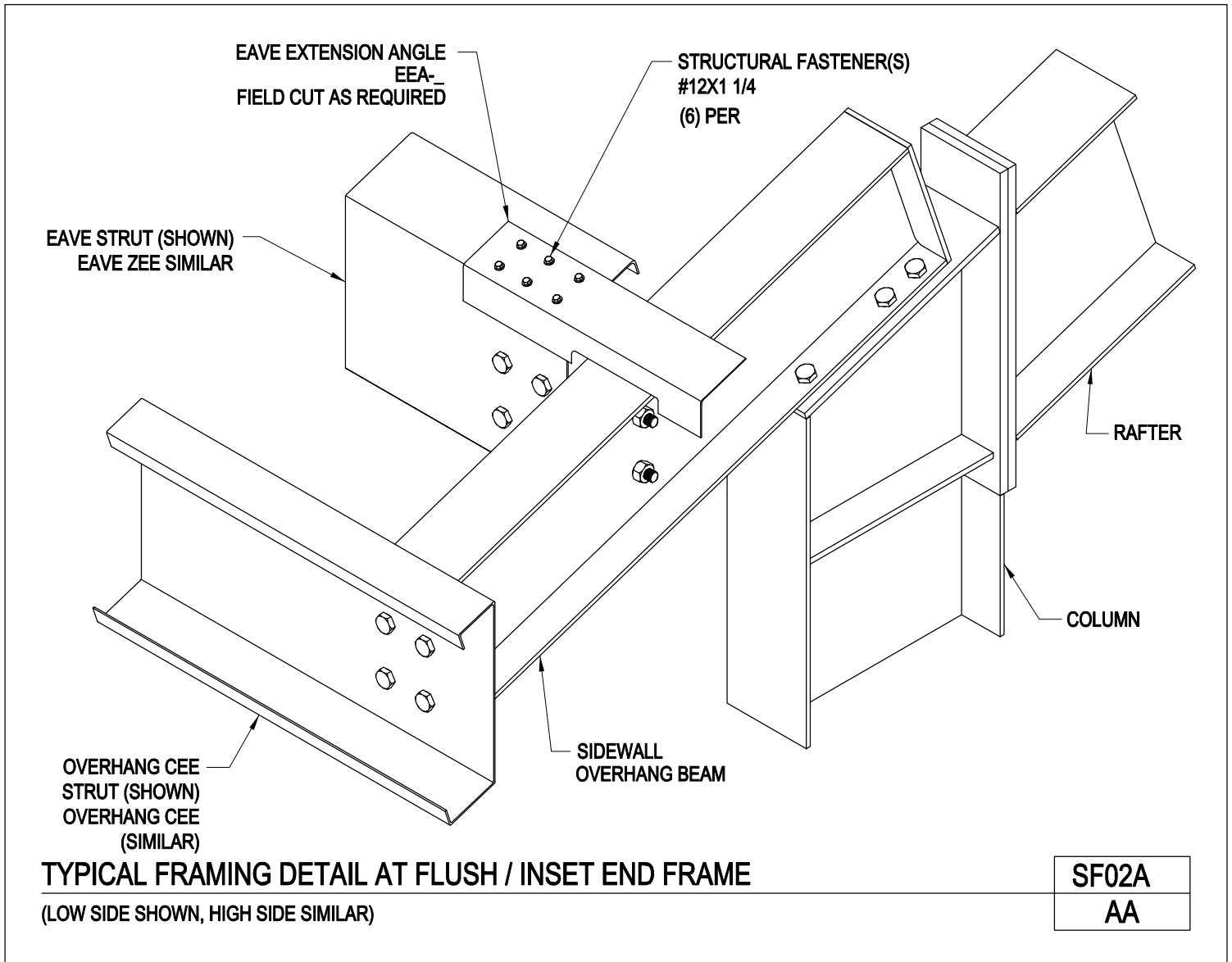
Typical Intermediate Framing at Tapered Column
 Low Side Shown, High Side Similar
 SF02/AA



[Download the DWG file by clicking here.](#)

[To Section Index](#)

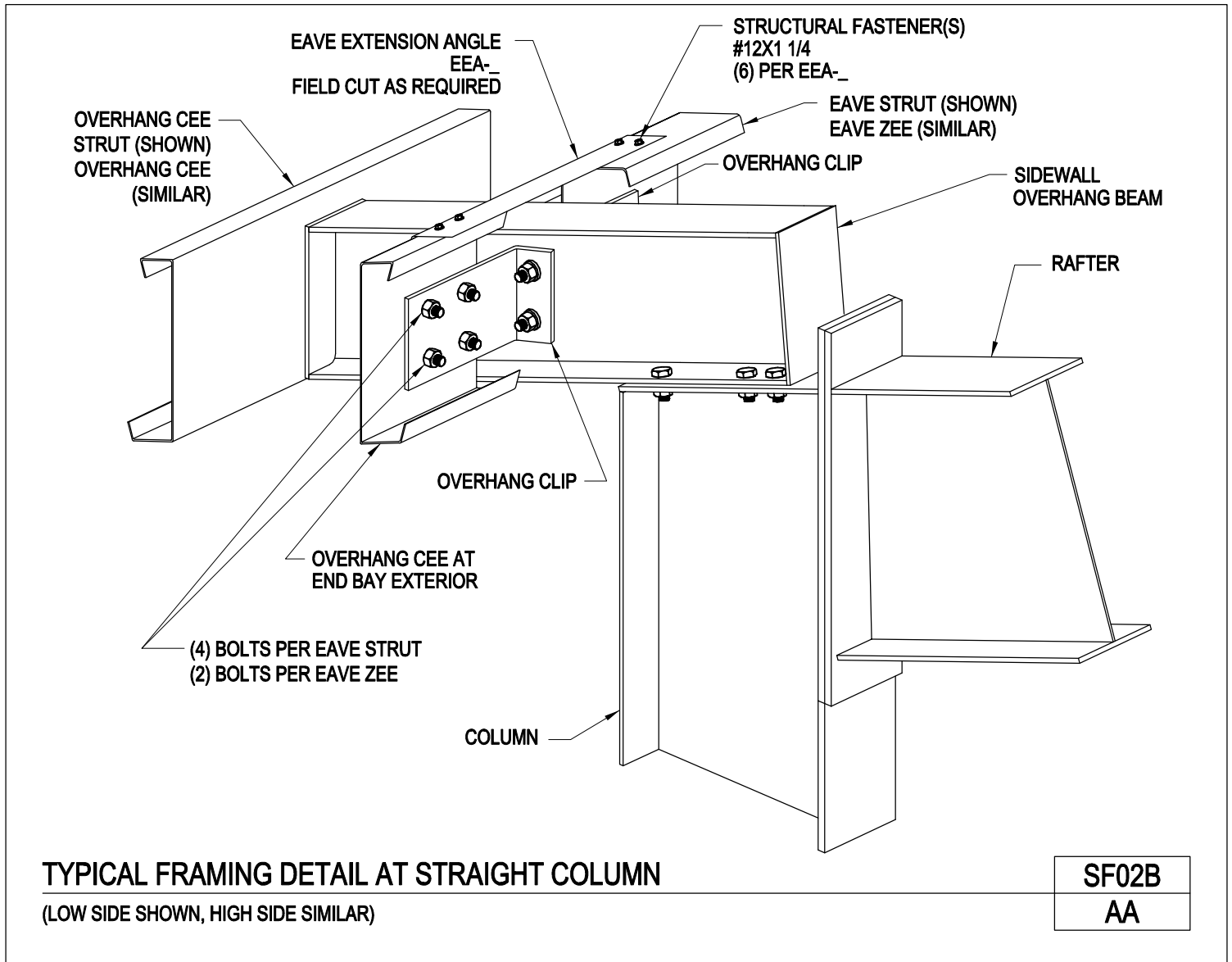
Typical Framing Detail at Flush/Inset Endframe
 Low Side Shown, High Side Similar
 SF02A/AA



[Download the DWG file by clicking here.](#)

[To Section Index](#)

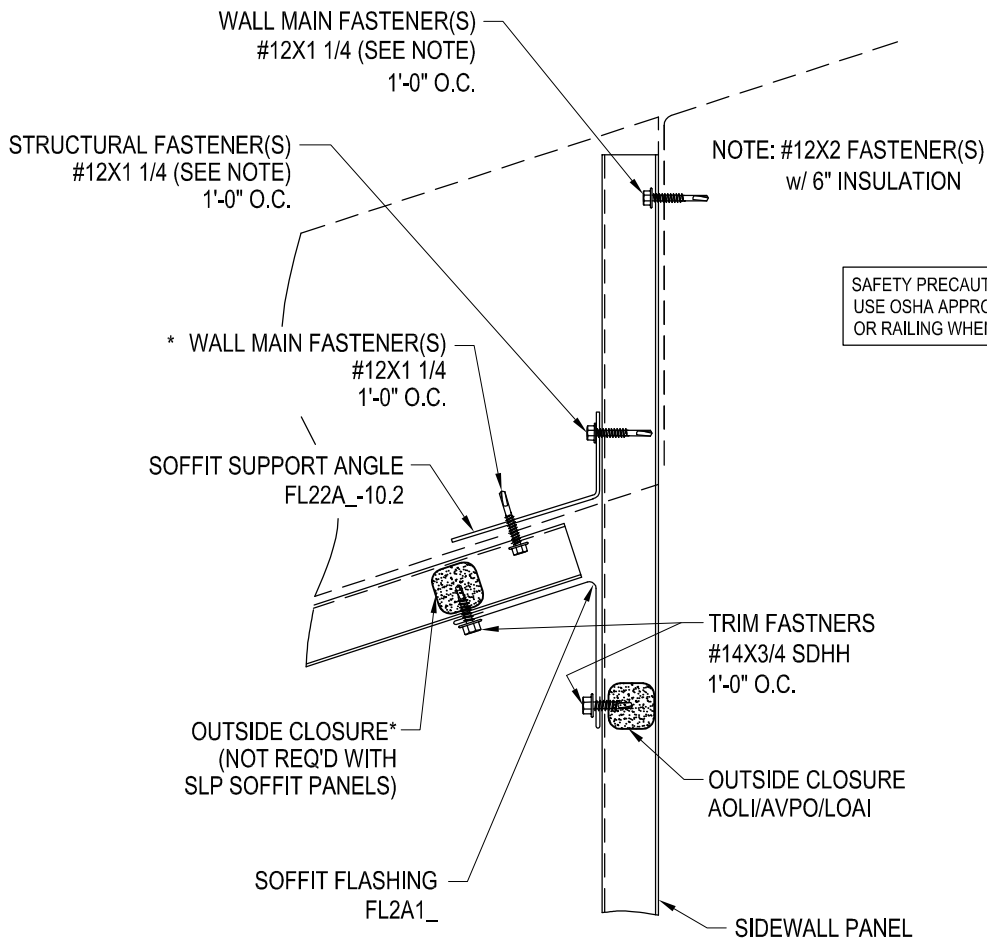
Typical Framing Detail at Straight Column
 Low Side Shown, High Side Similar
 SF02B/AA



[Download the DWG file by clicking here.](#)

[To Section Index](#)

Section at Low Sidewall Roof Overhang
With Soffit
SF03/AA



SECTION AT LOW SIDEWALL ROOF OVERHANG OR CANOPY
WITH SOFFIT

SF03
AA

[Download the DWG file by clicking here.](#)

[To Section Index](#)

Section at Low Sidewall Roof Overhang
Without Soffit
SF03A/AA

SAFETY PRECAUTION:
USE OSHA APPROVED TIE OFFS, NETTING
OR RAILING WHEN WORKING ON ROOF AREAS.

SEE EAVE CONNECTION DETAILS
AT LOW EAVE WITH CANOPY OR
OVERHANG (CN08_)

SOFFIT FLASHING
FSF8_N, FSF9_N
OR FSF12_N

WALL MAIN FASTENER(S)
#12X1 1/4
1'-0" O.C.

SIDEWALL PANEL

SECTION AT LOW SIDEWALL ROOF OVERHANG
WITHOUT SOFFIT

SF03A
AA

[Download the DWG file by clicking here.](#)

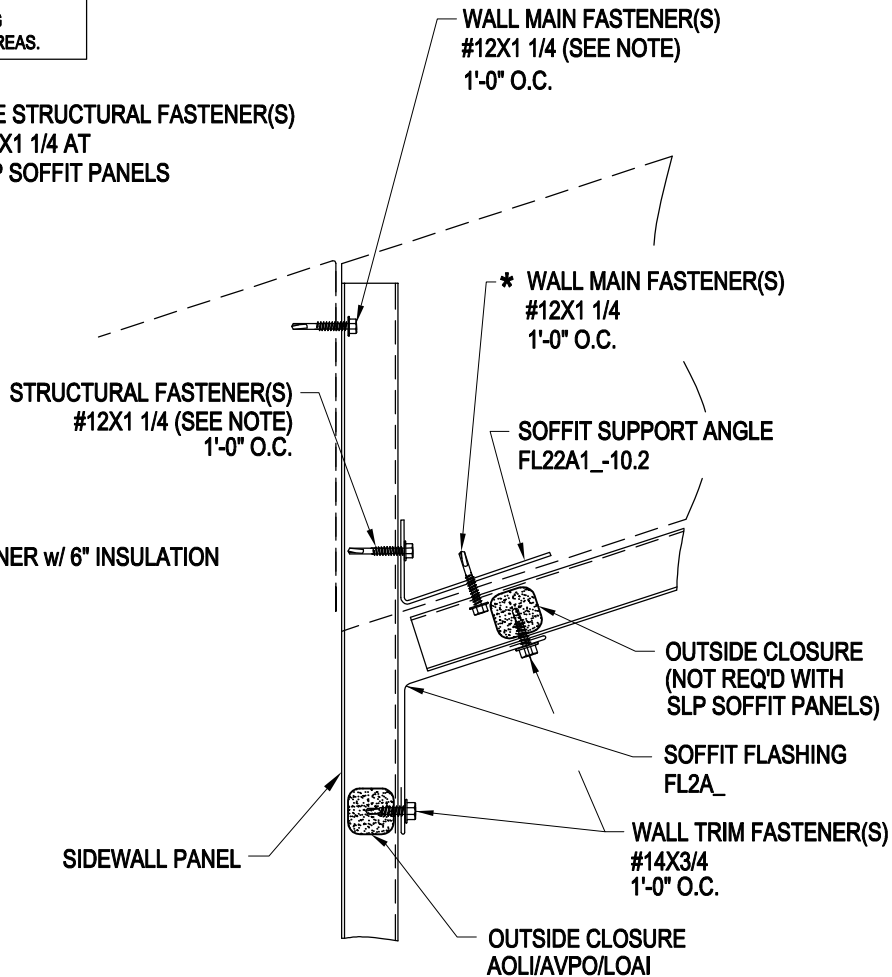
[To Section Index](#)

Section at High Sidewall Roof Overhang
With Soffit
SF03B/AA

SAFETY PRECAUTION:
USE OSHA APPROVED TIE OFFS, NETTING
OR RAILING WHEN WORKING ON ROOF AREAS.

*** USE STRUCTURAL FASTENER(S)
#12X1 1/4 AT
SLP SOFFIT PANELS**

NOTE: #12X2 FASTENER w/ 6" INSULATION



SECTION AT HIGH SIDEWALL ROOF OVERHANG OR CANOPY

WITH SOFFIT

SF03B

AA

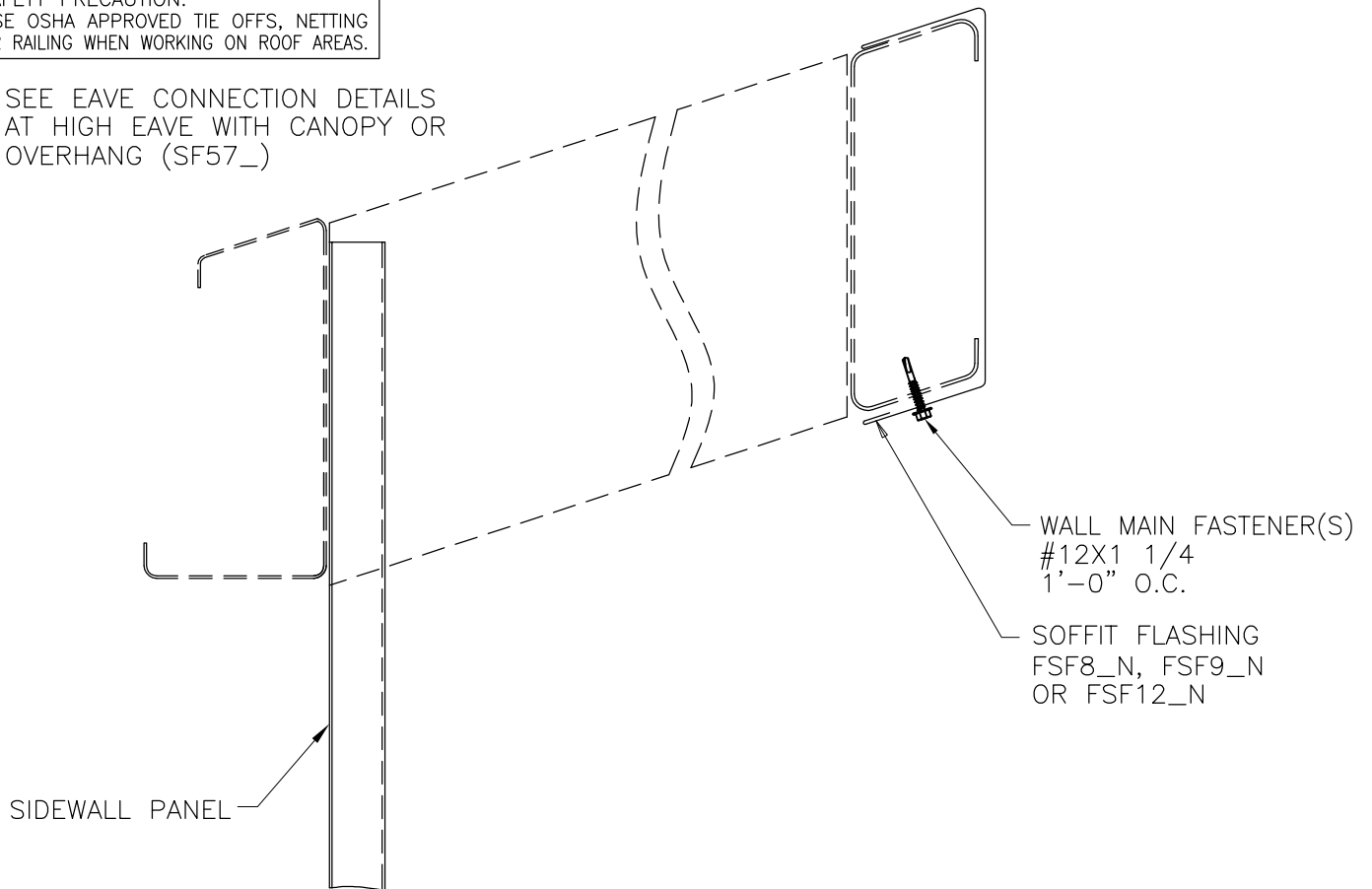
[Download the DWG file by clicking here.](#)

[To Section Index](#)

Section at High Sidewall Roof Overhang
Without Soffit
SF03BA/AA

SAFETY PRECAUTION:
USE OSHA APPROVED TIE OFFS, NETTING
OR RAILING WHEN WORKING ON ROOF AREAS.

SEE EAVE CONNECTION DETAILS
AT HIGH EAVE WITH CANOPY OR
OVERHANG (SF57_)



SECTION AT HIGH SIDEWALL ROOF OVERHANG
WITHOUT SOFFIT

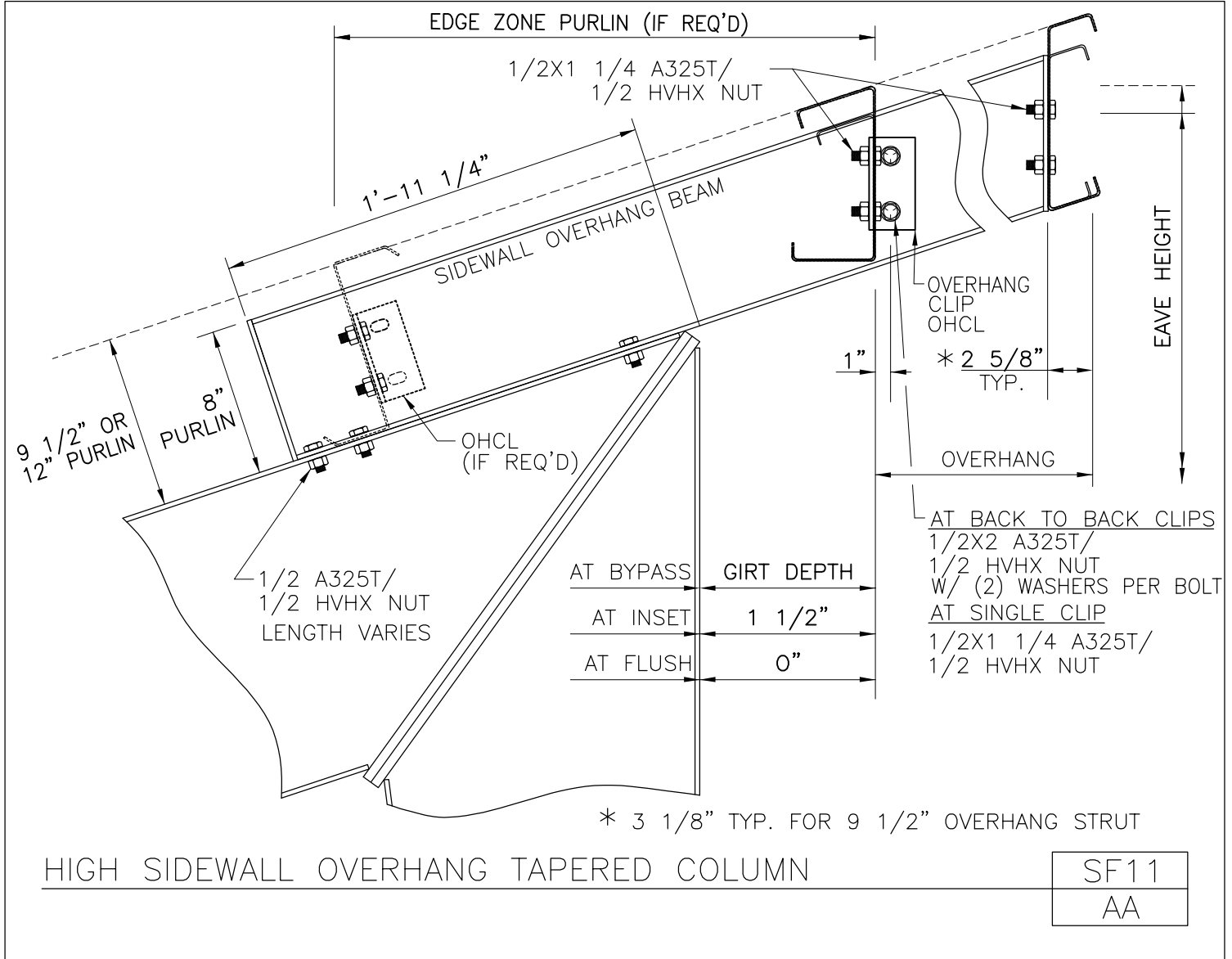
SF03BA
AA

[Download the DWG file by clicking here.](#)

[To Section Index](#)

High Sidewall Overhang Tapered Column

SF11/AA

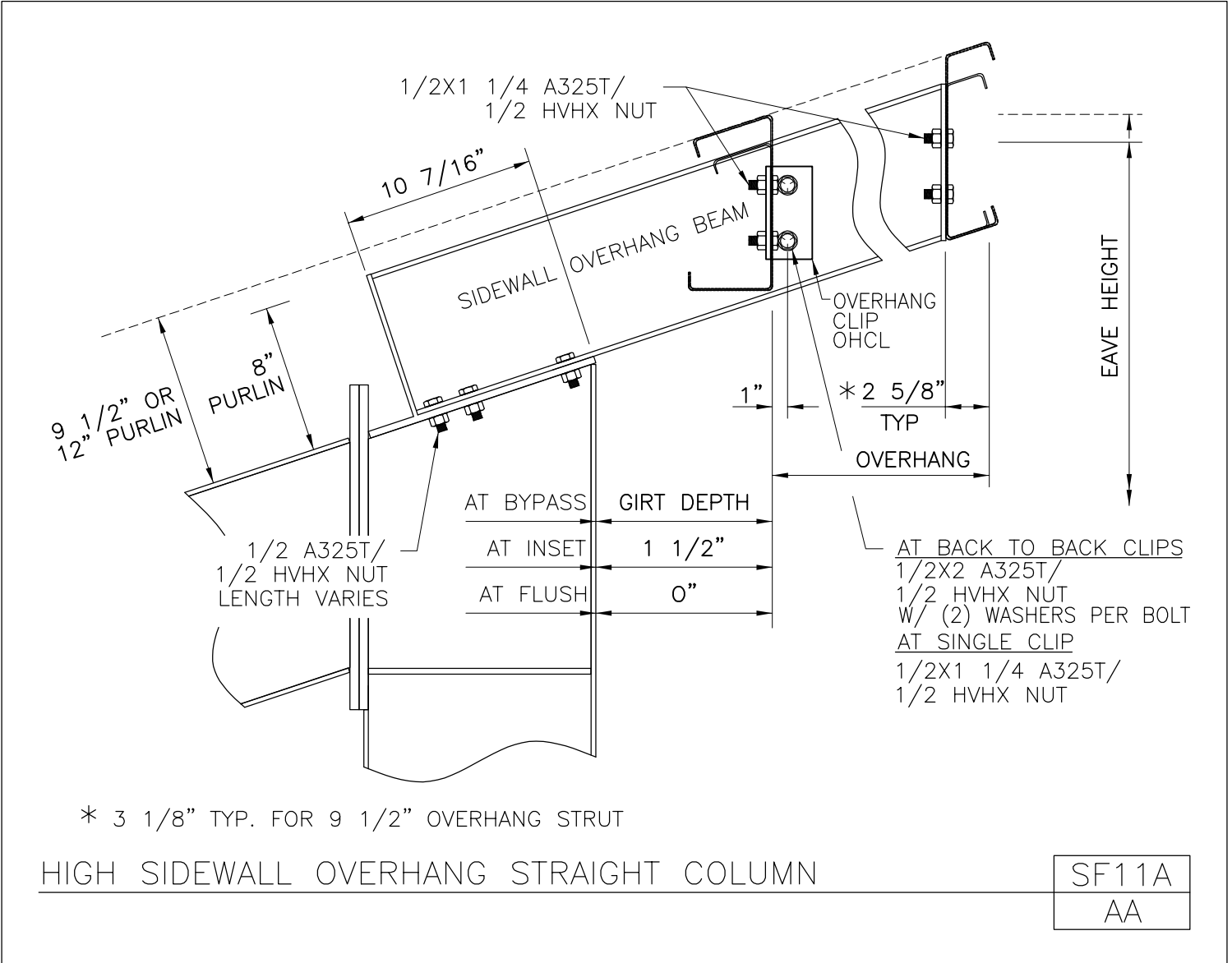


[Download the DWG file by clicking here.](#)

[To Section Index](#)

High Sidewall Overhang Straight Column

SF11A/AA



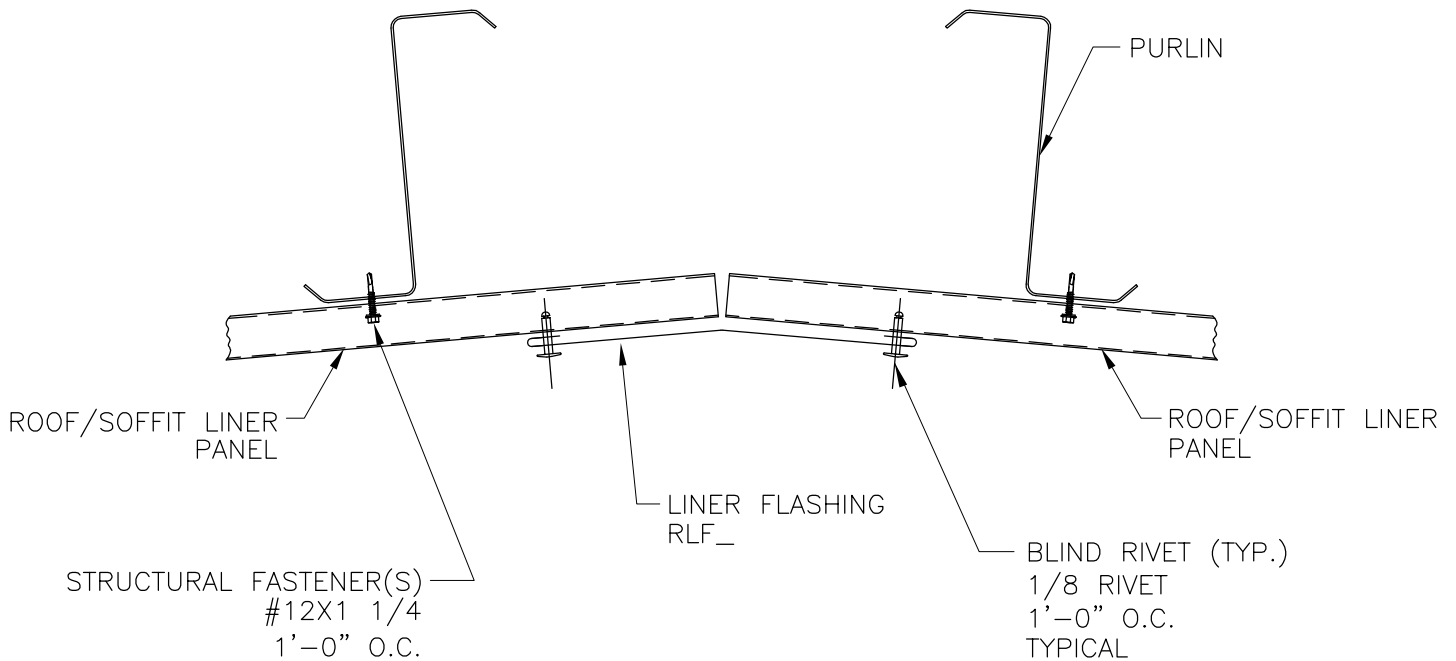
[Download the DWG file by clicking here.](#)

[To Section Index](#)

Detail at Ridge Roof Liner/Soffit

SF11/JA

NOTE: ROOF PANEL NOT SHOWN FOR CLARITY
SEE PANEL SPECIFIC DETAILS



DETAIL AT RIDGE ROOF LINER/SOFFIT

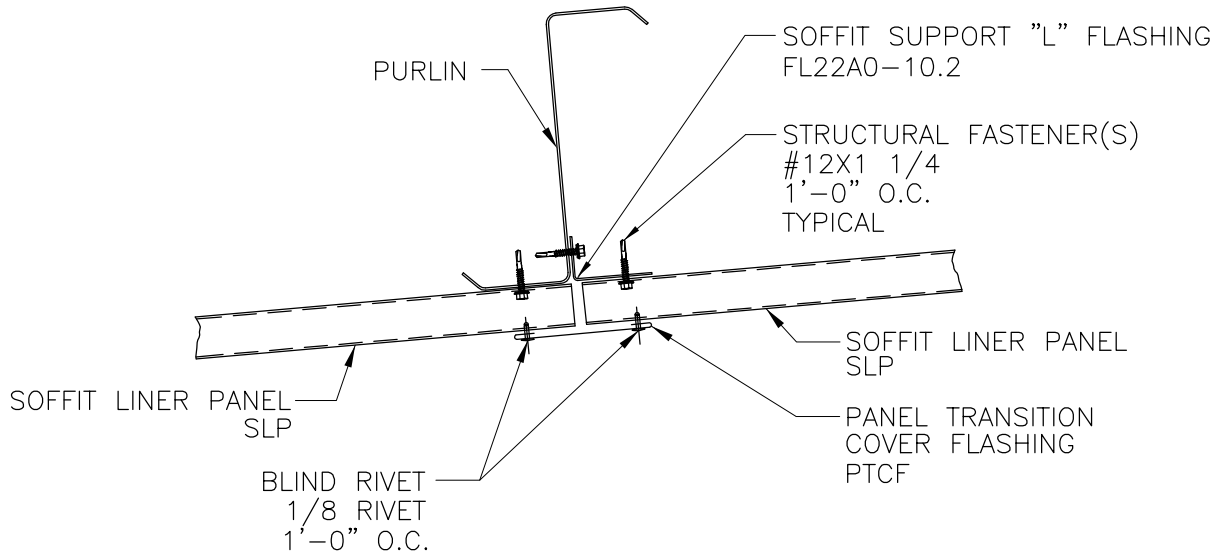
SF11
JA

[Download the DWG file by clicking here.](#)

[To Section Index](#)

Roof Liner/Soffit Liner Transition at Purlin
Soffit Liner Panels
SF12/JA

NOTE: ROOF PANEL NOT SHOWN FOR CLARITY
SEE PANEL SPECIFIC DETAILS



ROOF LINER/SOFFIT LINER TRANSITION AT PURLIN
SOFFIT LINER PANELS

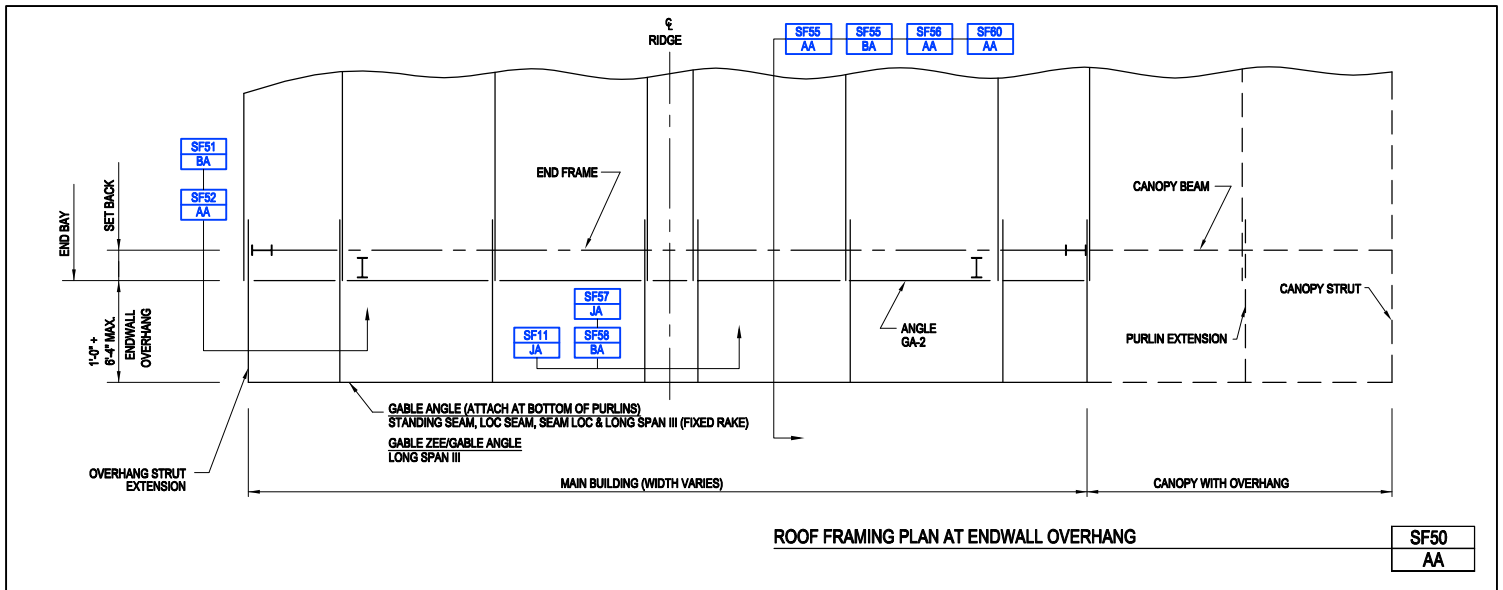
SF12
JA

[Download the DWG file by clicking here.](#)

[To Section Index](#)

Roof Framing Plan at Endwall Overhang

SF50/AA



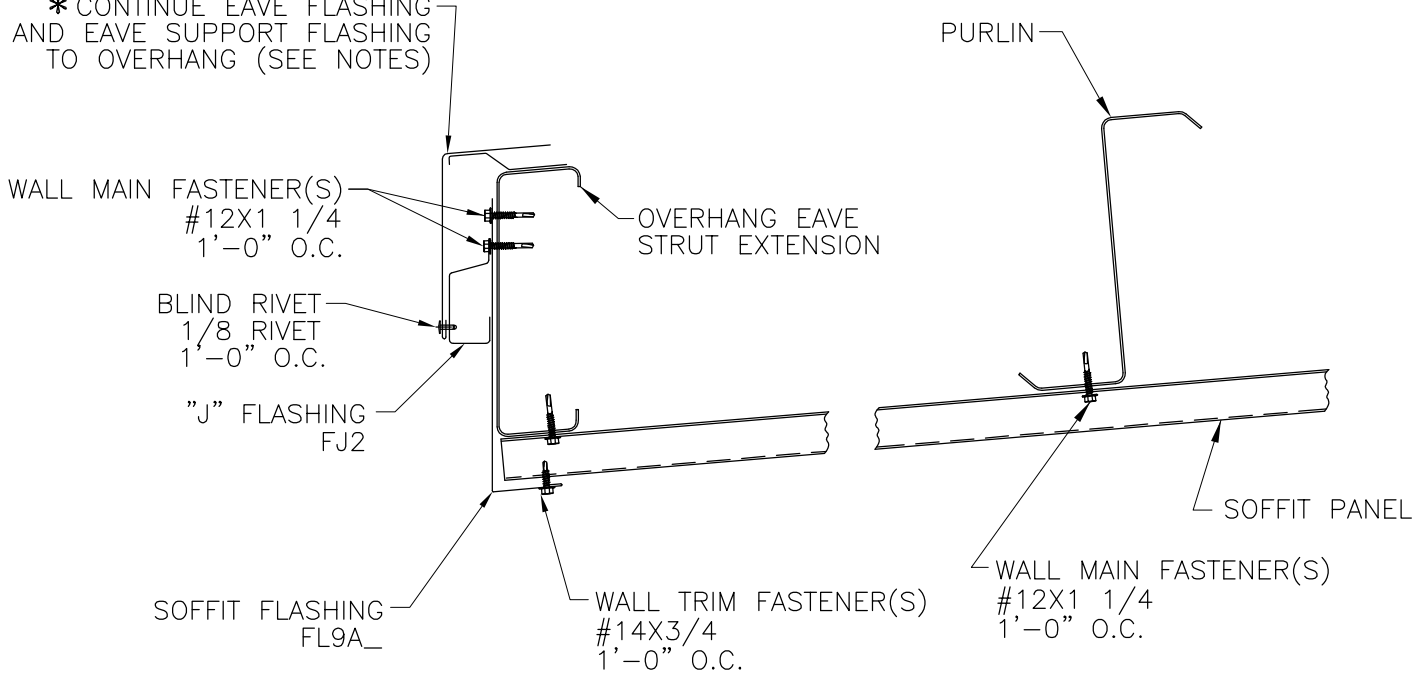
[Download the DWG file by clicking here.](#)

[To Section Index](#)

Section at Endwall Overhang Eave (w/ Sheeted SW)
With Soffit Panels / Without Sidewall Overhang
SF51/BA

*USE TFO88_ IN PLACE OF TFEC_ AT
12" OVERHANG STRUT EXTENSION.

* CONTINUE EAVE FLASHING
AND EAVE SUPPORT FLASHING
TO OVERHANG (SEE NOTES)



NOTES: LOWSIDE SHOWN, HIGHSIDE SIMILAR.

ROOF PANEL AND FLASHING NOT SHOWN FOR CLARITY
SEE PANEL SPECIFIC DETAILS.

EXTEND FLASHING & FIELD WORK AS REQUIRED TO CREATE ENDCAPS.

SECTION AT ENDWALL OVERHANG EAVE (W/ SHEETED SW)

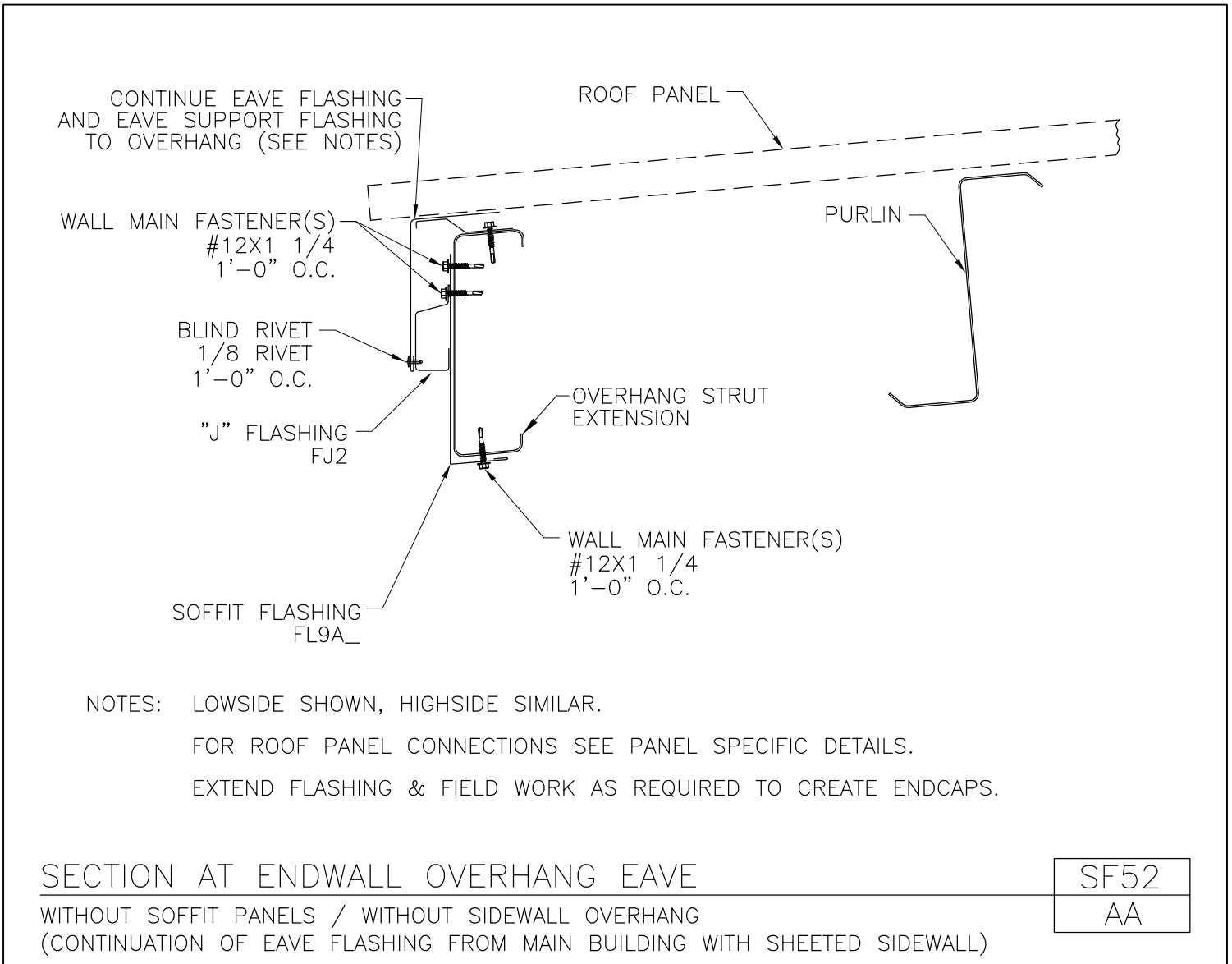
WITH SOFFIT PANELS / WITHOUT SIDEWALL OVERHANG
(CONTINUATION OF EAVE FLASHING FROM MAIN BUILDING WITH SHEETED SIDEWALL)

SF51
BA

[Download the DWG file by clicking here.](#)

[To Section Index](#)

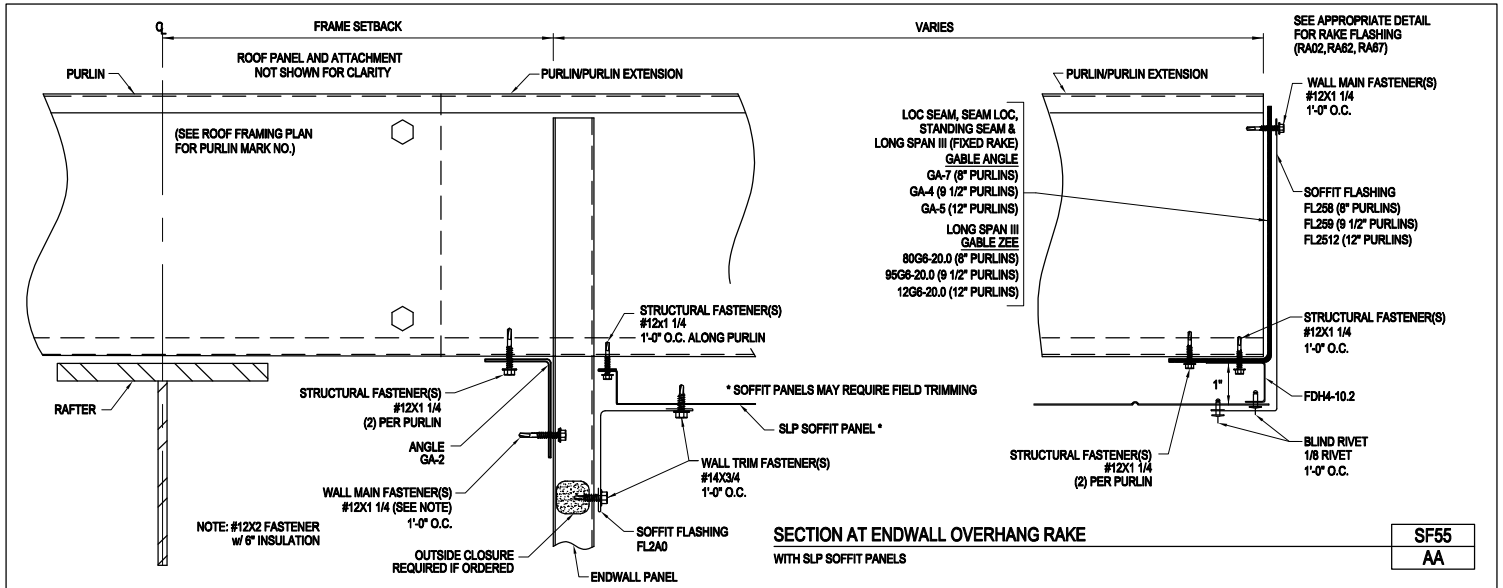
Section at Endwall Overhang Eave
Without Soffit Panels / Without Sidewall Overhang
SF52/AA



[Download the DWG file by clicking here.](#)

[To Section Index](#)

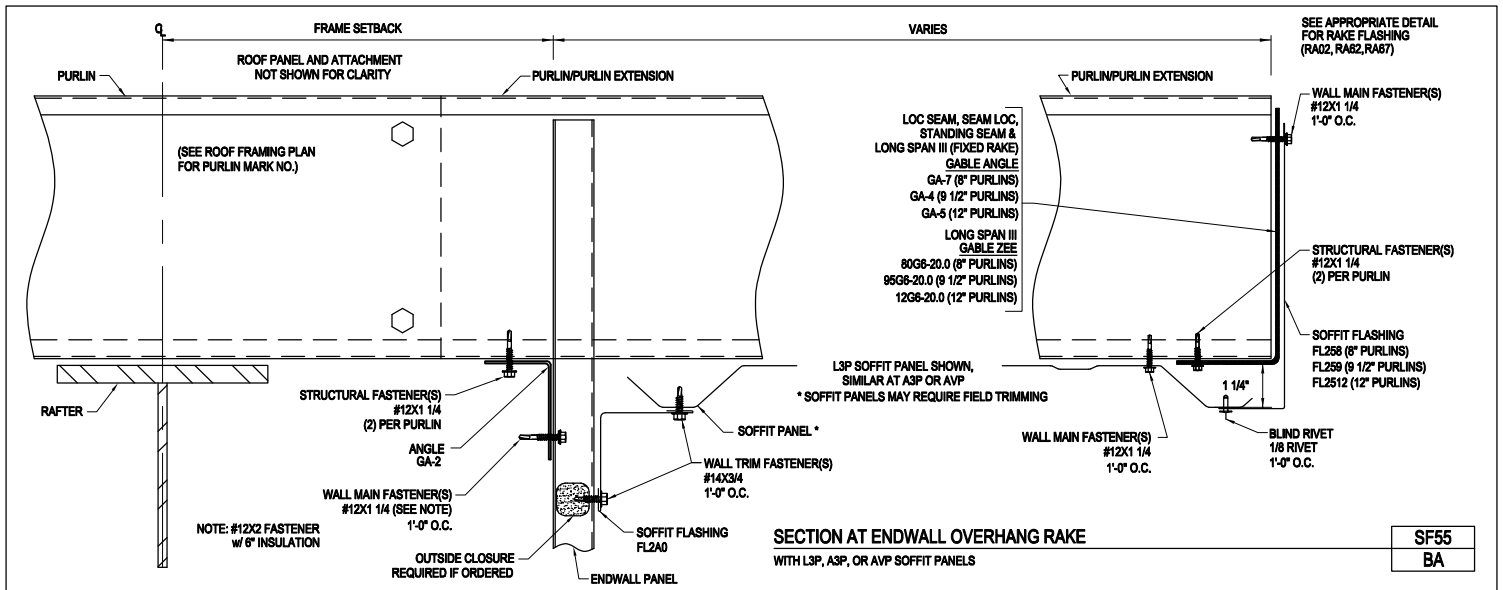
Section at Endwall Overhang Rake
With SLP Soffit Panels
SF55/AA



[Download the DWG file by clicking here.](#)

[To Section Index](#)

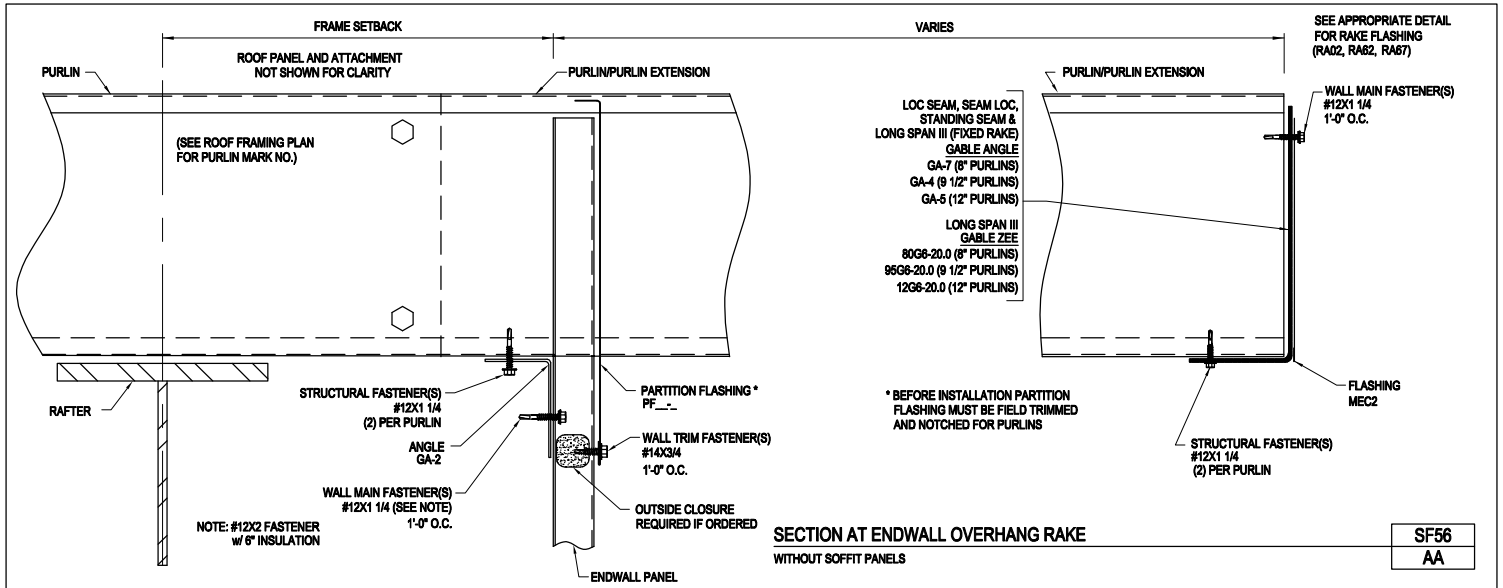
Section at Endwall Overhang Rake
With L3P, A3P, or AVP Soffit Panels
SF55/BA



[Download the DWG file by clicking here.](#)

[To Section Index](#)

Section at Endwall Overhang Rake
Without Soffit Panels
SF56/AA



[Download the DWG file by clicking here.](#)

[To Section Index](#)



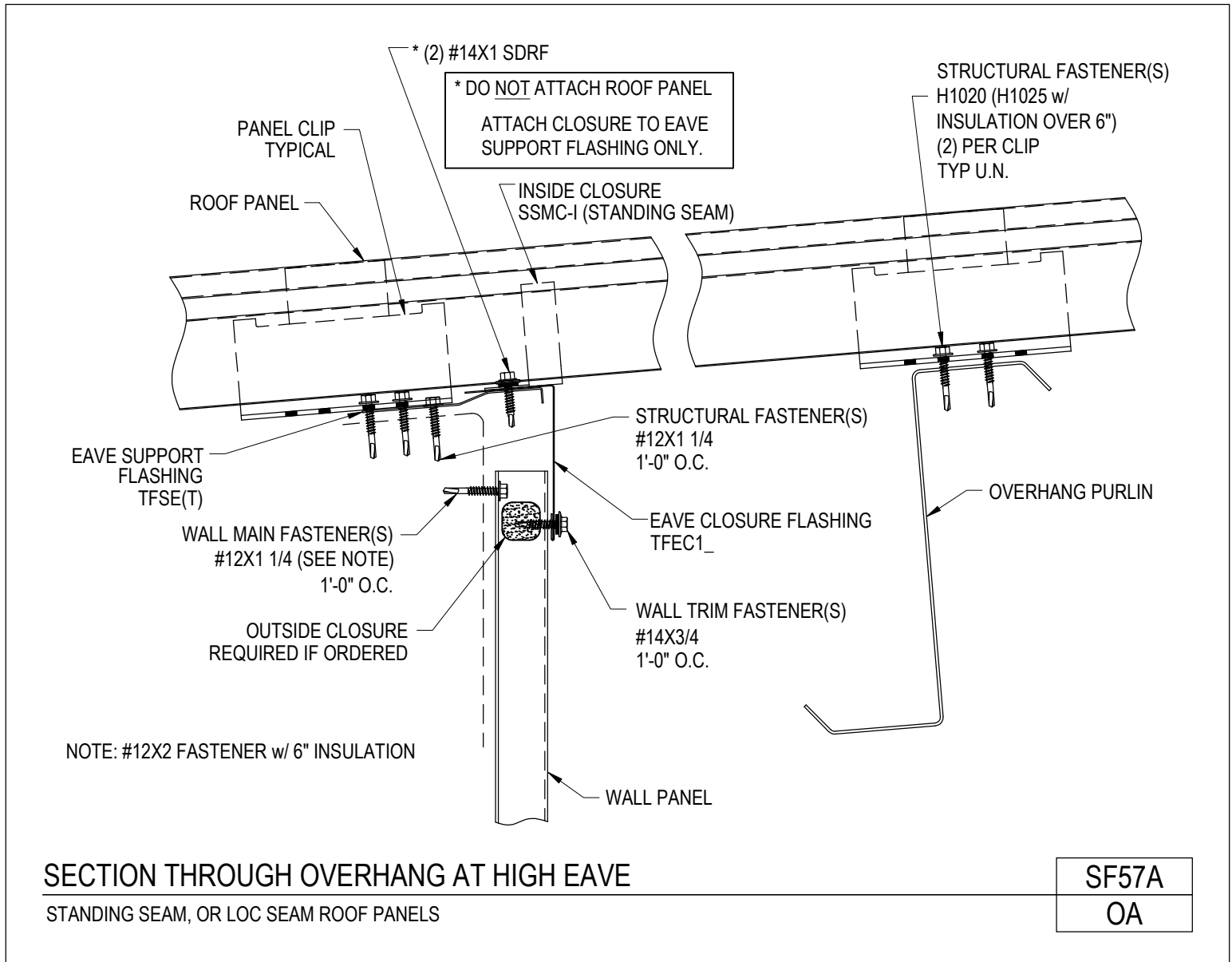
AMERICAN BUILDINGS

A NUCOR COMPANY

PRODUCT MANUAL

OVERHANGS

Section Through Overhang at High Eave
Standing Seam or Loc Seam Roof Panels
SF57A/OA



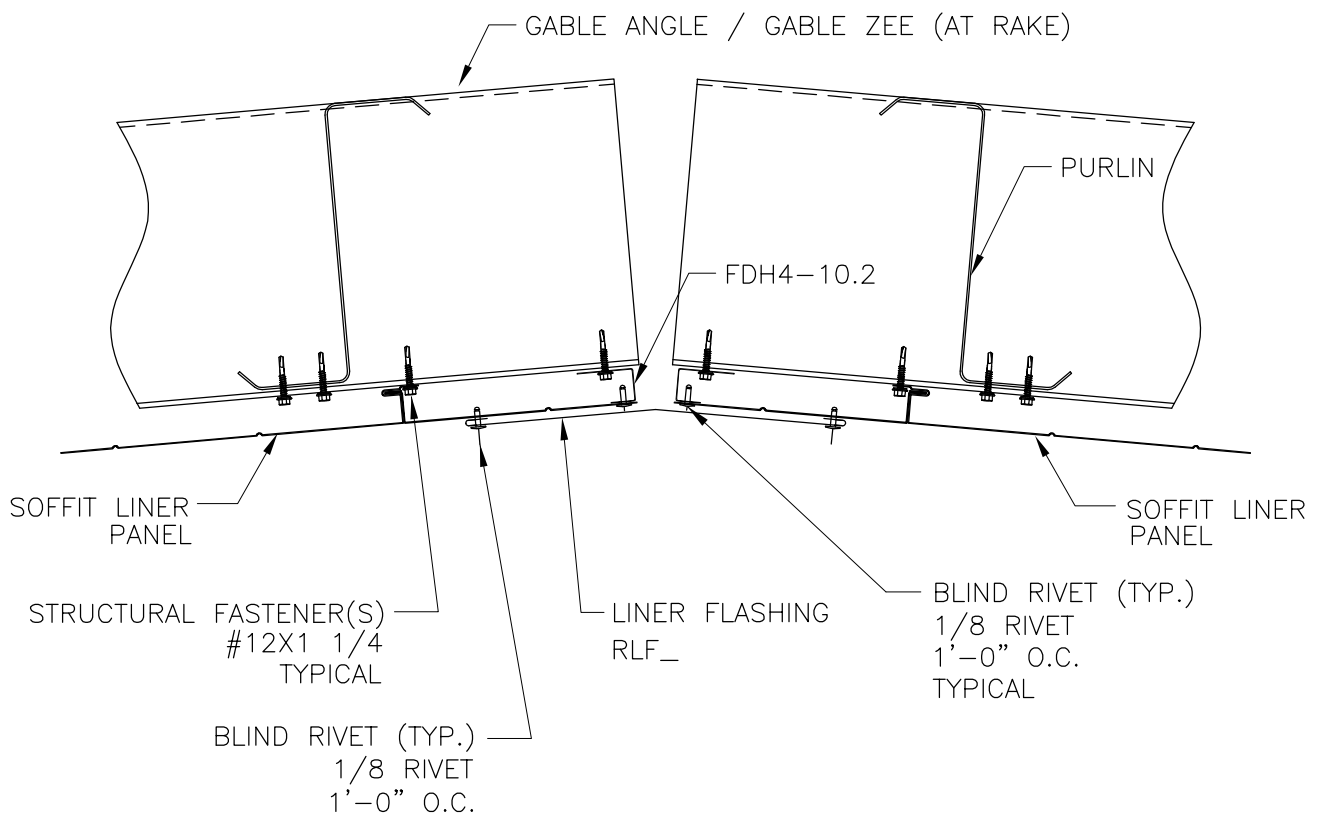
[Download the DWG file by clicking here.](#)

[To Section Index](#)

Revised 4/6/2020

Section at Endwall Overhang Ridge
With SLP Soffit Liner Panels Parallel to Purlin
SF57/JA

NOTE: ROOF PANEL NOT SHOWN FOR CLARITY
SEE PANEL SPECIFIC DETAILS



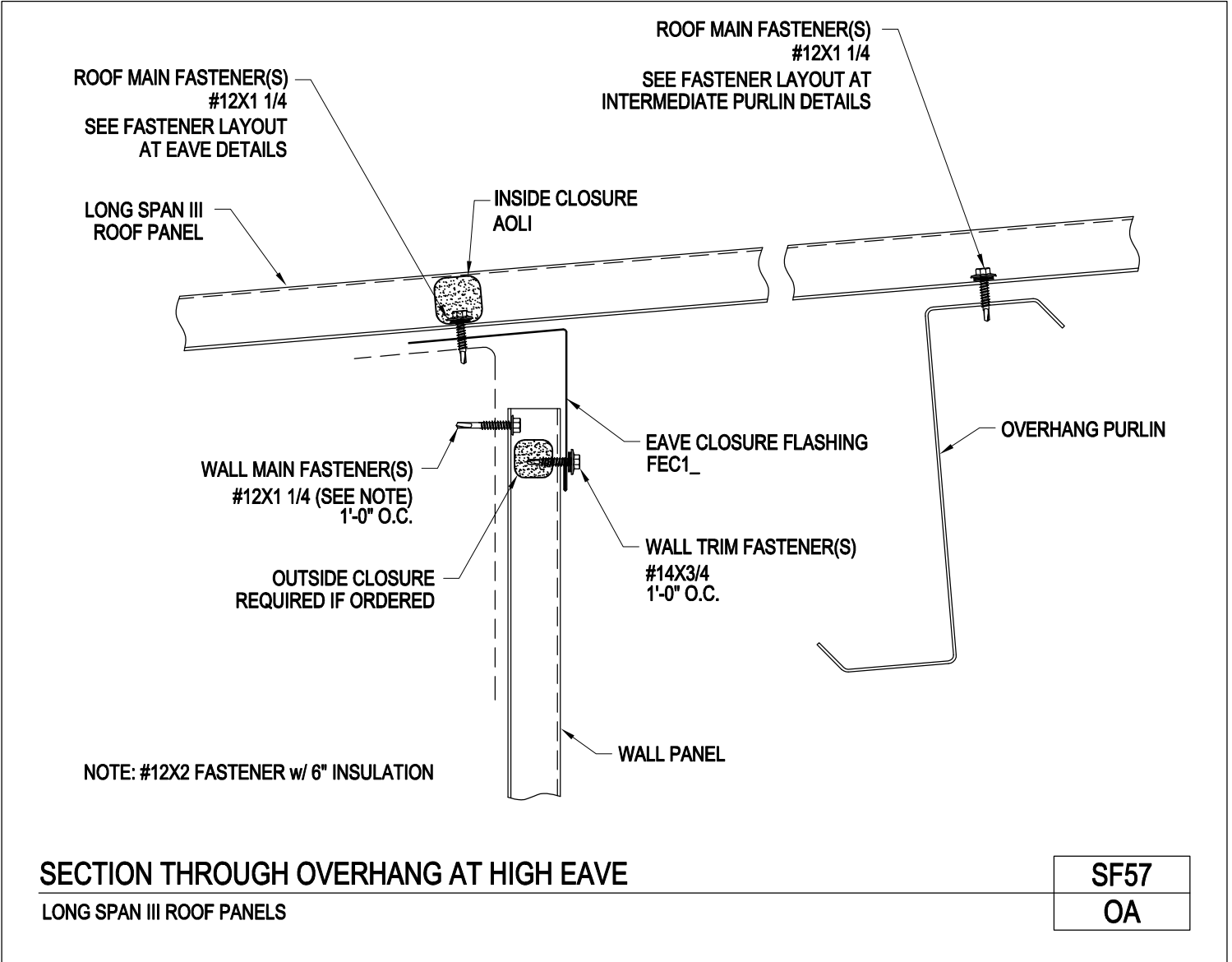
SECTION AT ENDWALL OVERHANG RIDGE
WITH SLP SOFFIT LINER PANELS PARALLEL TO PURLIN

SF57
JA

[Download the DWG file by clicking here.](#)

[To Section Index](#)

Section Through Overhang at High Eave
Long Span III Roof Panels
SF57/OA

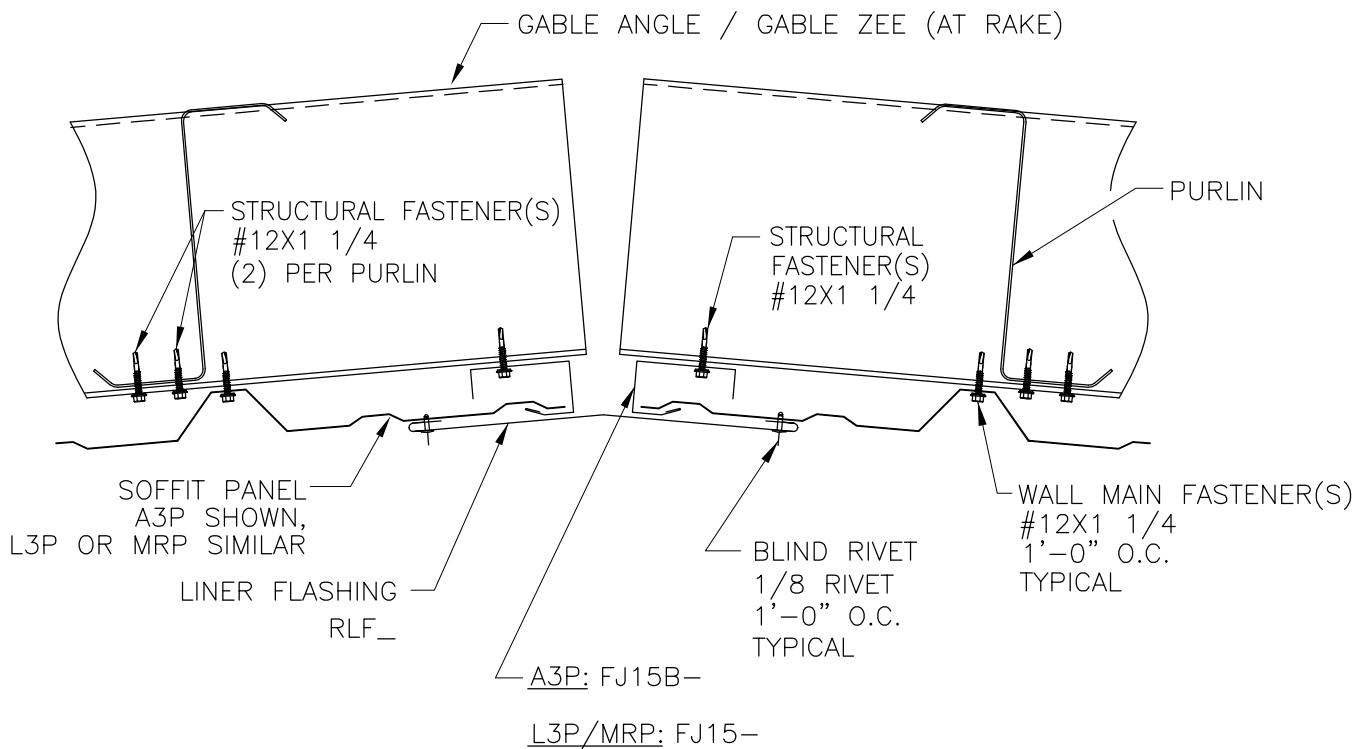


[Download the DWG file by clicking here.](#)

[To Section Index](#)

Section at Endwall Overhang Ridge
With L3P, A3P or MRP Soffit Panels Parallel to Purlin
SF58/BA

NOTE: ROOF PANEL NOT SHOWN FOR CLARITY
SEE PANEL SPECIFIC DETAILS



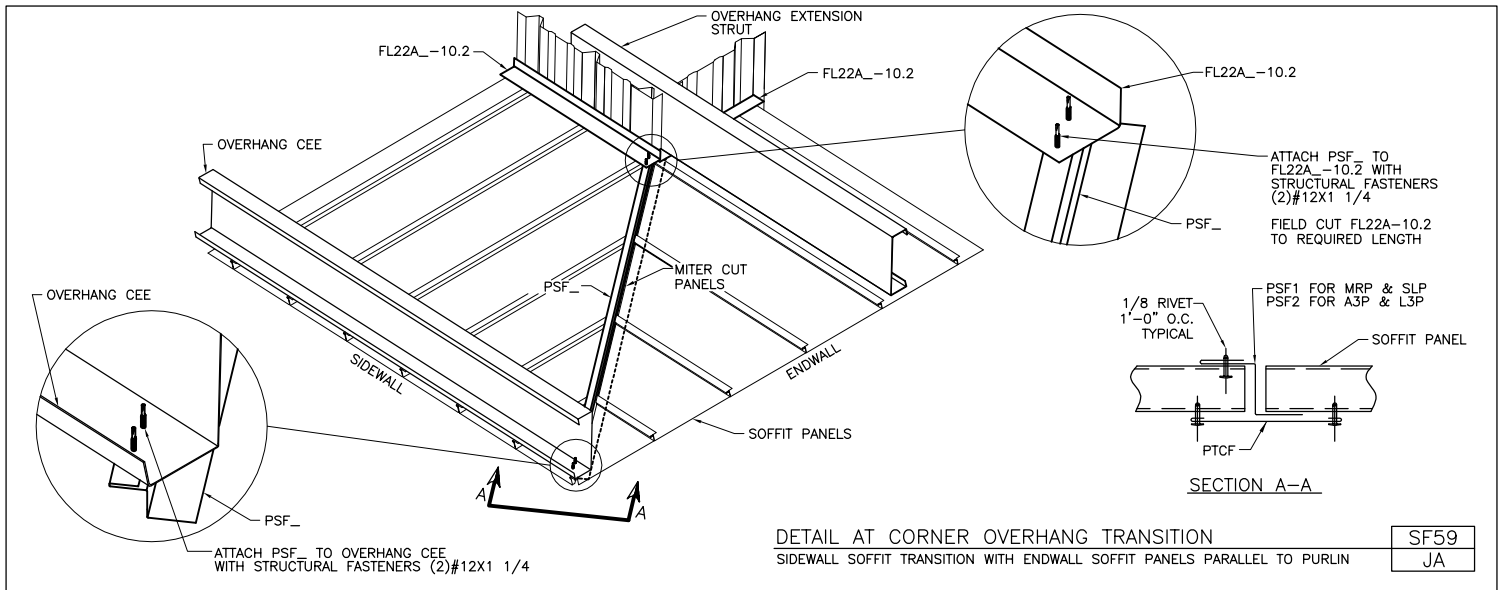
SECTION AT ENDWALL OVERHANG RIDGE
WITH L3P, A3P, OR MRP SOFFIT PANELS PARALLEL TO PURLIN

SF58
BA

[Download the DWG file by clicking here.](#)

[To Section Index](#)

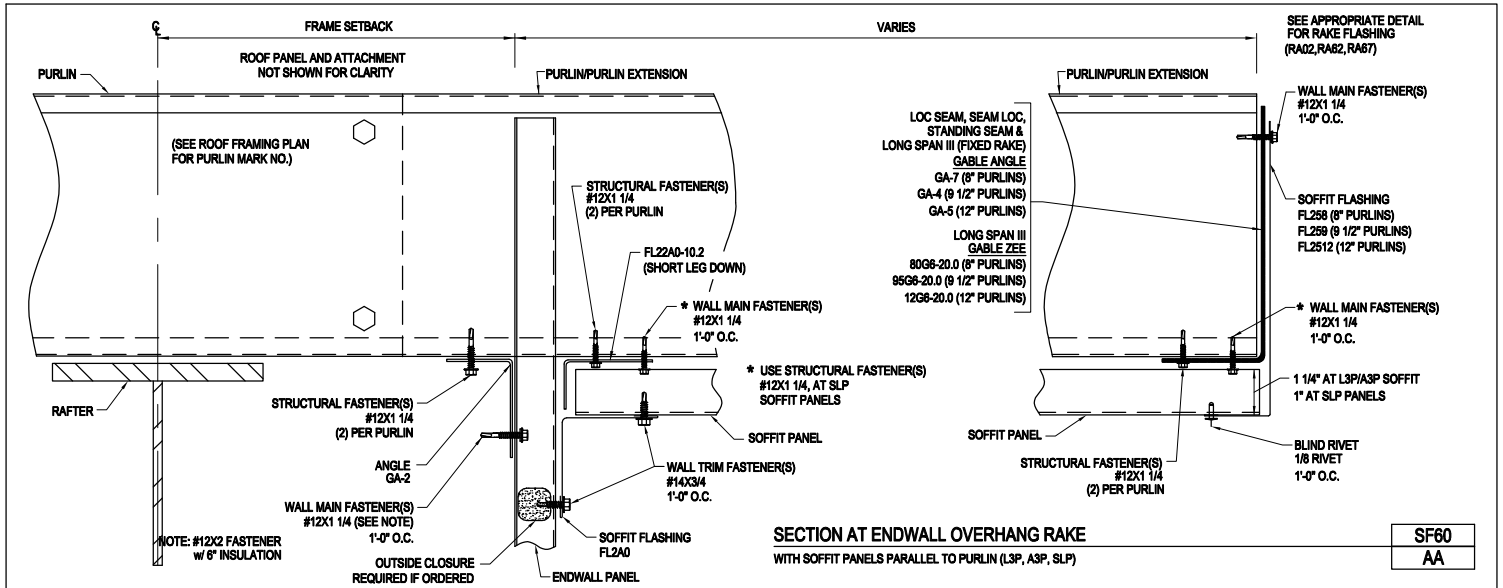
Detail at Corner Overhang Transition
Sidewall Soffit Transition with Endwall Soffit Panels Parallel to Purlin
SF59/JA



[Download the DWG file by clicking here.](#)

[To Section Index](#)

Section at Endwall Overhang Rake
With Soffit Panels Parallel to Purlin (L3P, A3P, SLP)
SF60/AA

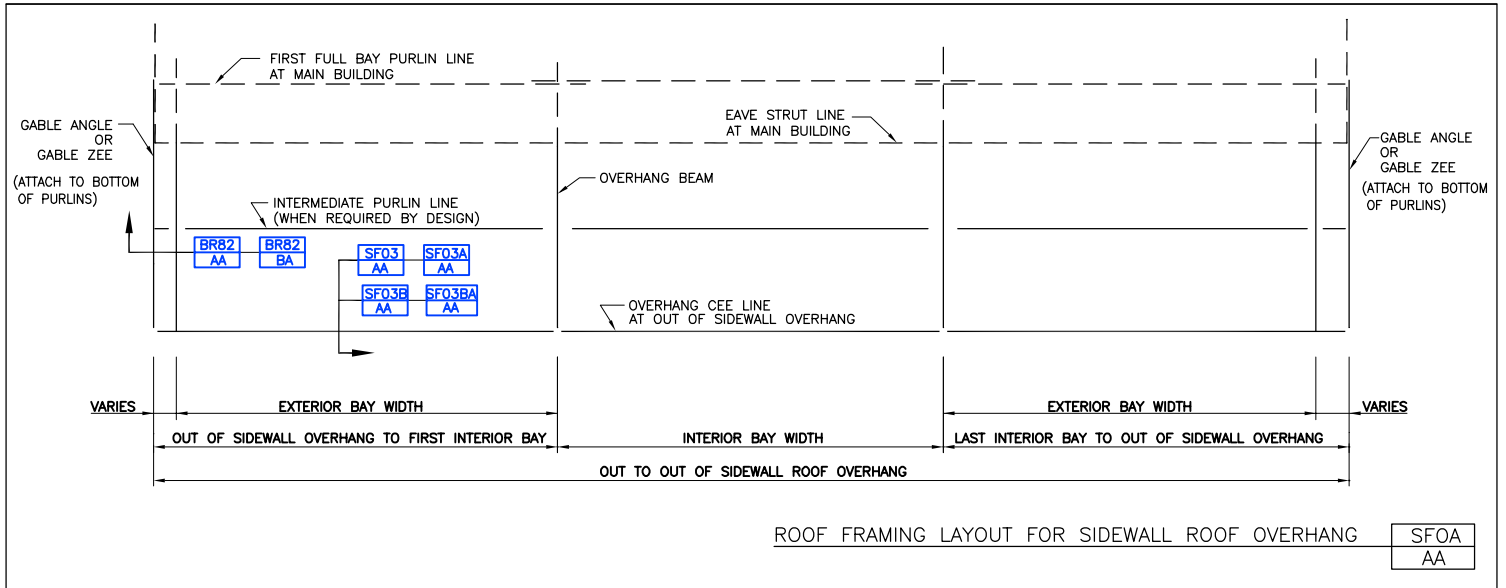


[Download the DWG file by clicking here.](#)

[To Section Index](#)

Roof Framing Layout For Sidewall Roof Overhang

SFOA/AA



[Download the DWG file by clicking here.](#)

[To Section Index](#)



A **NUCOR** COMPANY

PRODUCT MANUAL

OVERHANGS

Overhang Framing and Flashing Schedule

Low Sidewall

SFOB/AA

LOW SIDEWALL OVERHANG FRAMING AND FLASHING SCHEDULE WITH SOFFIT

ROOF SLOPE	SOFFIT SUPPORT ANGLE MK. NO.	SOFFIT PANEL LENGTH			SOFFIT FLASHING						
		1'0" O.H.	3'0" O.H.	5'0" O.H.	8" EAVE	9 1/2" EAVE	12" EAVE	WALL	RAKE (8")	RAKE (9 1/2")	RAKE (12")
1/4:12	FL22A1-10.2	1'-0"	2'-10"	4'-10"	FSF81	FSF91	FSF121	FL2A11	FL258	FL259	FL2512
1/2:12											
1:12											
2:12	FL22A2-10.2	1'-0"	2'-10"	4'-11"	FSF82	FSF92	FSF122	FL2A12	FL258	FL259	FL2512
3:12			2'-11"	5'0"	FSF83	FSF93	FSF123	FL2A13			
4:12			3'-0"	5'-1"	FSF84	FSF94	FSF124	FL2A14			

NOTES:

1. ALL OVERHANG DIMENSIONS SHOWN IN SCHEDULE ABOVE HAVE TOLERANCES OF 1/4".
2. SOFFIT PANEL LENGTHS MAY VARY DUE TO SPECIFIC JOB REQUIREMENTS.
LENGTHS ABOVE WERE DETERMINED FOR 1 1/4" DEEP WALL PANEL.

OVERHANG FRAMING AND FLASHING SCHEDULE

LOW SIDEWALL

SFOB

AA

[Download the DWG file by clicking here.](#)

[To Section Index](#)



A **NUCOR** COMPANY

PRODUCT MANUAL

OVERHANGS

Overhang Framing and Flashing Schedule
High Sidewall
SFOBA/AA

HIGH SIDEWALL OVERHANG FRAMING AND FLASHING SCHEDULE

ROOF SLOPE	SOFFIT SUPPORT ANGLE MK. NO.	SOFFIT PANEL LENGTH			SOFFIT FLASHING						
		1'0 O.H.	3'0 O.H.	5'0 O.H.	8" EAVE	9 1/2" EAVE	12" EAVE	WALL	RAKE (8")	RAKE (9 1/2")	RAKE (12")
1/4:12	FL22A11-10.2	1'-0"	2'-10"	4'-10"	FSF81	FSF91	FSF121	FL2A1	FL258	FL259	FL2512
1/2:12											
1:12											
2:12	FL22A12-10.2	1'-0"	2'-10"	4'-10"	FSF82	FSF92	FSF122	FL2A2	FL258	FL259	FL2512
3:12			2'-11"	4'-11"	FSF83	FSF93	FSF123	FL2A3			
4:12			3'-0"	5'-1"	FSF84	FSF94	FSF124	FL2A4			

NOTES:

1. ALL OVERHANG DIMENSIONS SHOWN IN SCHEDULE ABOVE HAVE TOLERANCES OF 1/4".
2. SOFFIT PANEL LENGTHS MAY VARY DUE TO SPECIFIC JOB REQUIREMENTS. LENGTHS ABOVE WERE DETERMINED FOR 1 1/4" DEEP WALL PANEL.

OVERHANG FRAMING AND FLASHING SCHEDULE
HIGH SIDEWALL

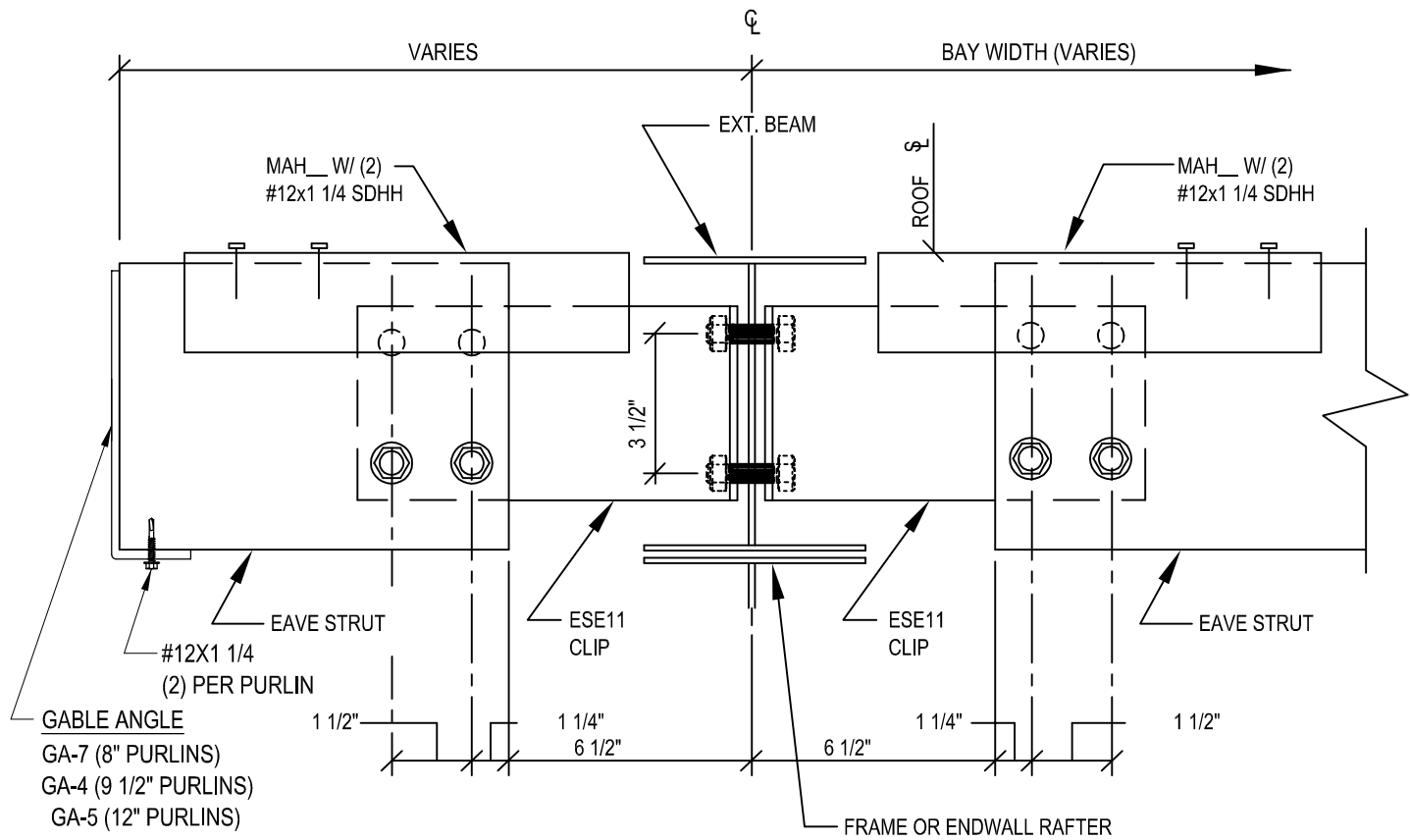
SFOBA
AA

[Download the DWG file by clicking here.](#)

[To Section Index](#)

Eave Strut at Eave Extension/Overhang
Standing Seam & Loc Seam Roofs
WBR82AA

GABLE ANGLE IS REQUIRED AT THE BOTTOM OF THE PURLINS FOR CONTINUOUS SUPPORT OF INTERMEDIATE PURLINS AND FLASHING CONNECTIONS. THE GABLE ANGLE MUST EXTEND FROM THE OVERHANG CEE TO THE FIRST FULL BAY PURLIN OF THE MAIN BUILDING AT A MINIMUM.



EAVE STRUT AT EAVE EXTENSION/OVERHANG

STANDING SEAM & LOC SEAM

WBR82

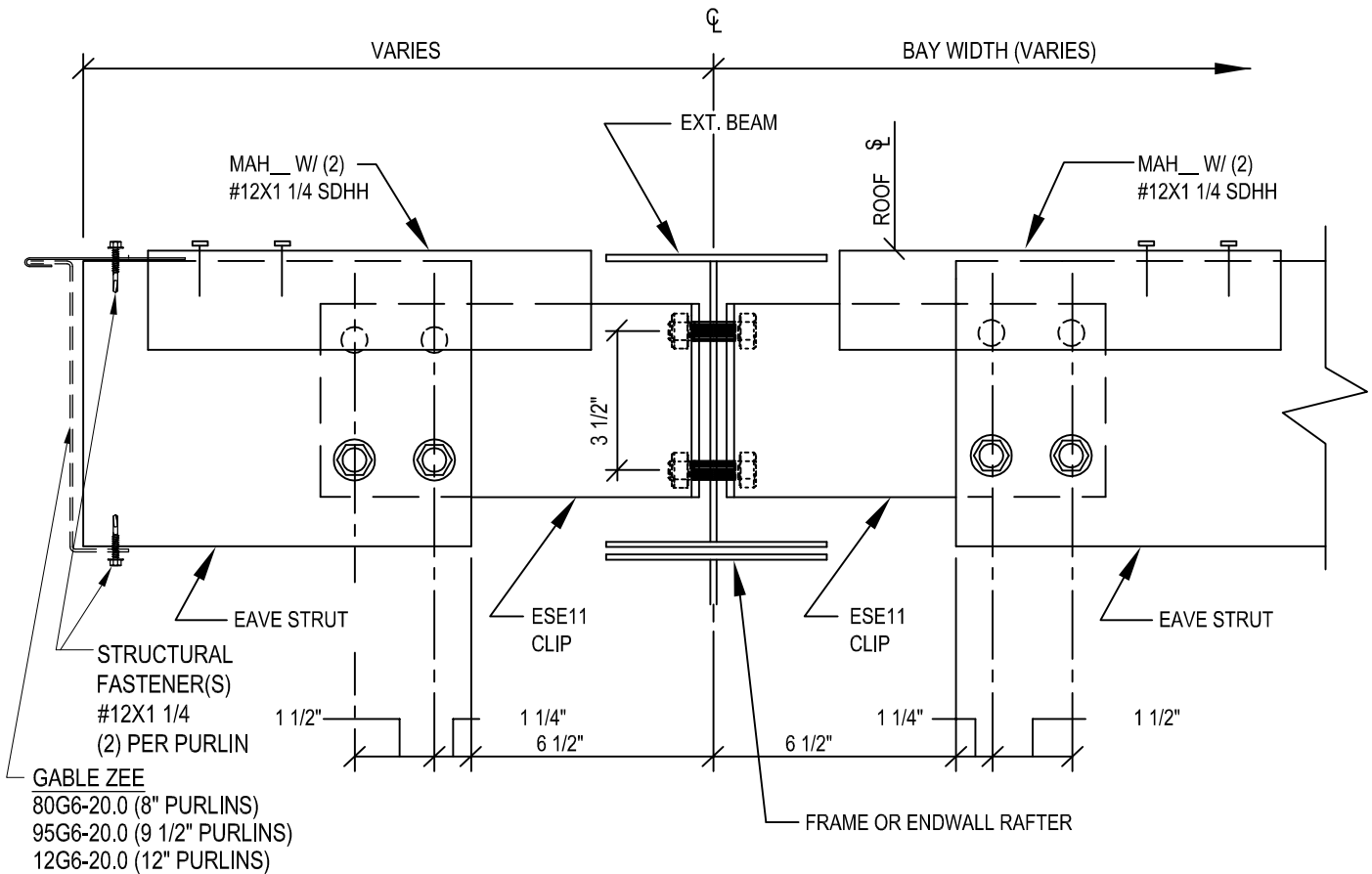
AA

[Download the DWG file by clicking here.](#)

[To Section Index](#)

Sidewall Overhang Intermediate Purlin Support
Long Span III Roofs
WBR82/BA

A GABLE ZEE IS REQUIRED FOR CONTINUOUS SUPPORT OF INTERMEDIATE PURLINS AT SIDEWALL OVERHANGS. THE GABLE ZEE MUST EXTEND FROM THE OVERHANG CEE TO THE FIRST FULL BAY PURLIN AT MAIN BUILDING AT A MINIMUM.



EAVE STRUT AT EAVE EXTENSION/OVERHANG

LONG SPAN III ROOFS

WBR82

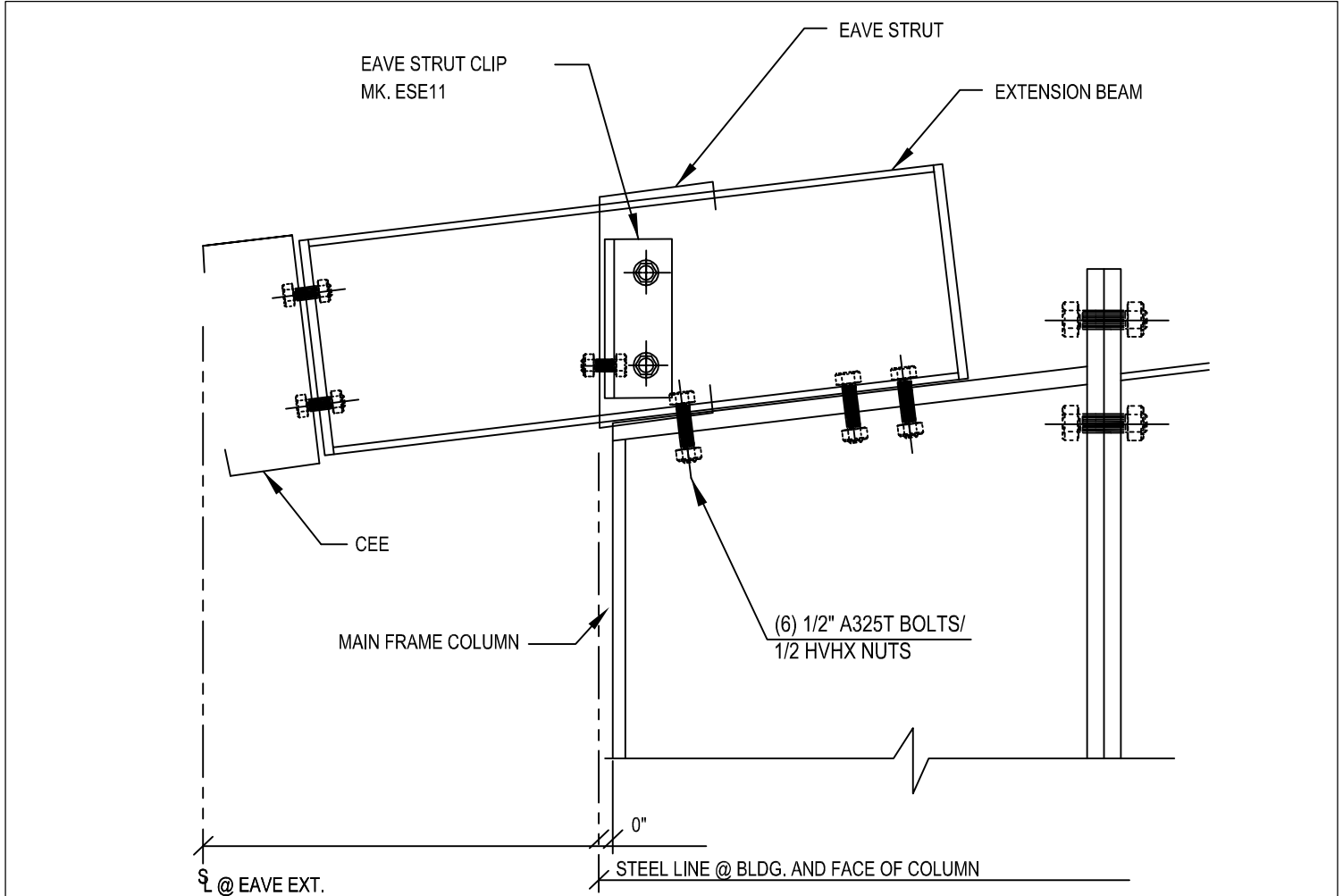
BA

[Download the DWG file by clicking here.](#)

[To Section Index](#)

Low Eave Extension

WSF04/AA



LOW EAVE EXTENSION DETAIL

FLUSH GIRTS AT INTERMEDIATE FRAMES
NOTE: USE 1/2" A325T BOLTS / 1/2 HVHX NUTS U.N.O.

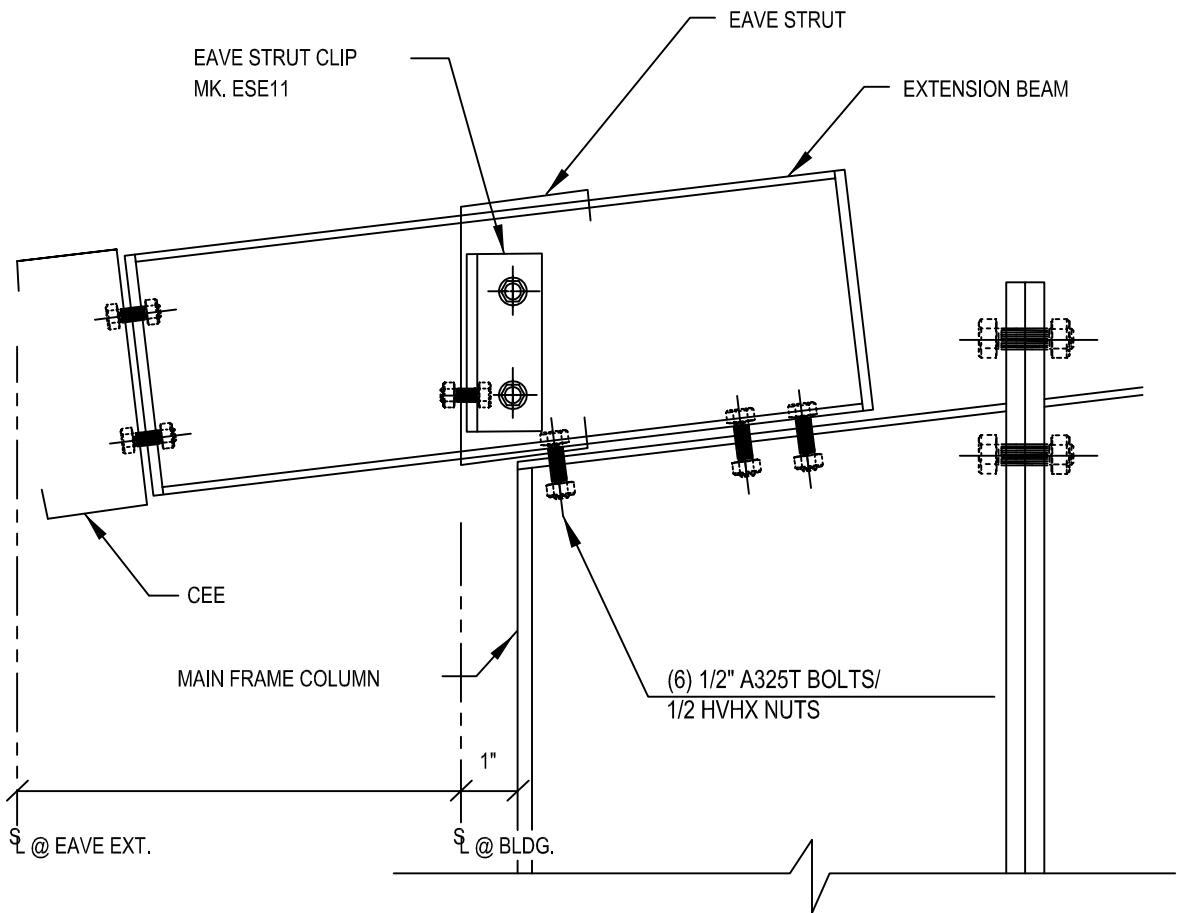
WSF04
AA

[Download the DWG file by clicking here.](#)

[To Section Index](#)

Low Eave Extension

WSF04/AA



LOW EAVE EXTENSION DETAIL

INSET GIRTS AT INTERMEDIATE FRAMES
NOTE: USE 1/2" A325T BOLTS / 1/2 HVHX NUTS U.N.O.

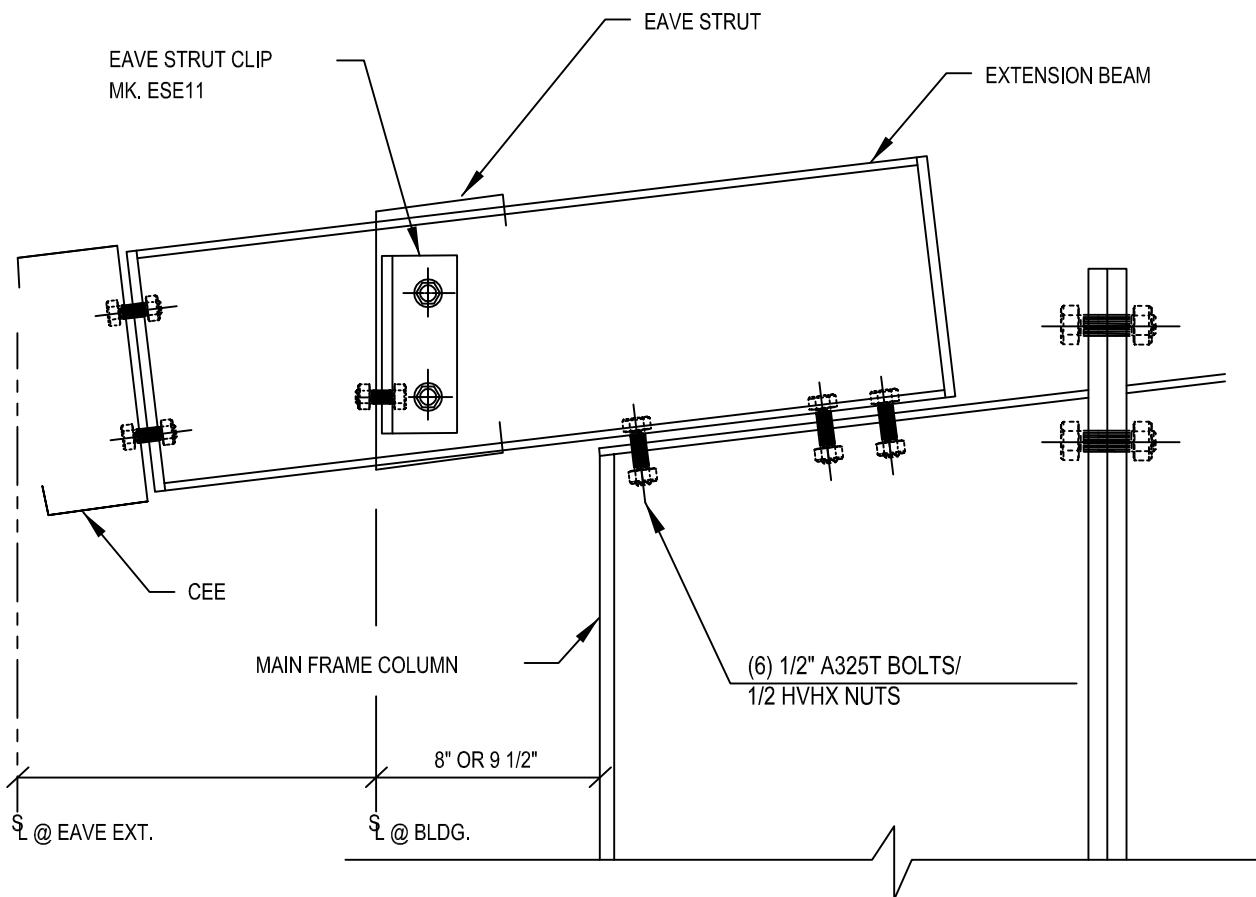
WSF04A
AA

[Download the DWG file by clicking here.](#)

[To Section Index](#)

Low Eave Extension

WSF04A/AA



LOW EAVE EXTENSION DETAIL

BYPASS GIRTS AT INTERMEDIATE FRAMES FOR HAUNCH DEPTHS > 1'-3"
NOTE: USE 1/2" A325T BOLTS / 1/2 HVHX NUTS U.N.O.

WSF04B
AA

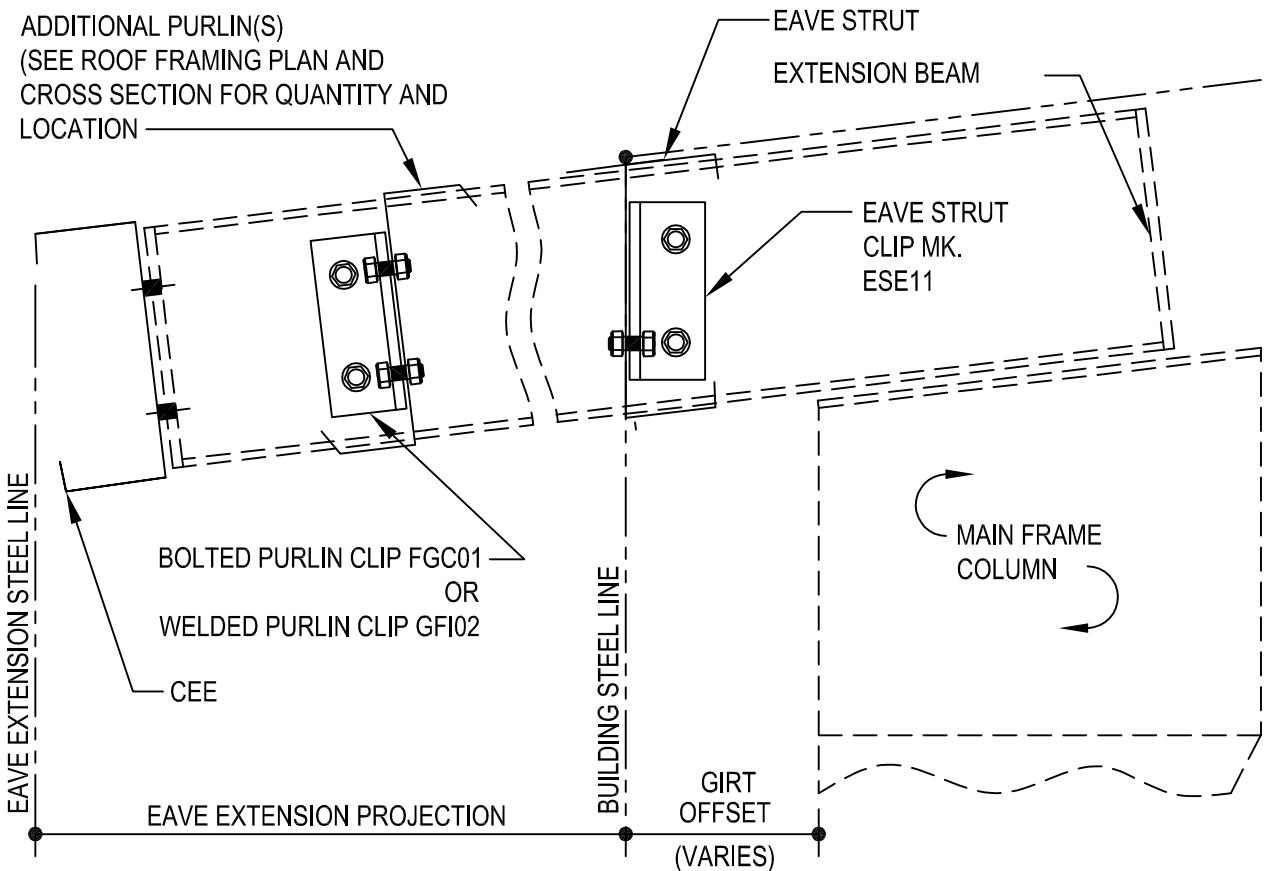
[Download the DWG file by clicking here.](#)

[To Section Index](#)

Intermediated Purlin Connection

WSF04W/AA

THIS DETAIL IS ONLY INTENDED TO SHOW THE ORIENTATION OF ANY ADDITIONAL PURLINS WITHIN THE EAVE EXTENSION BEAM, SO THAT THE FGC01 CLIPS CAN BE PROPERLY INSTALLED (INSTALL THE FGC01 CLIP DOWNSLOPE FROM THE PURLIN AT ALL PURLIN CONNECTIONS AS SHOWN).



INTERMEDIATE PURLIN CONNECTION AT EAVE EXTENSION BEAM

ADDITIONAL PURLINS IN THE EAVE EXTENSION BEAM
NOTE: USE 1/2" A325T BOLTS / 1/2 HVHX NUTS U.N.O.

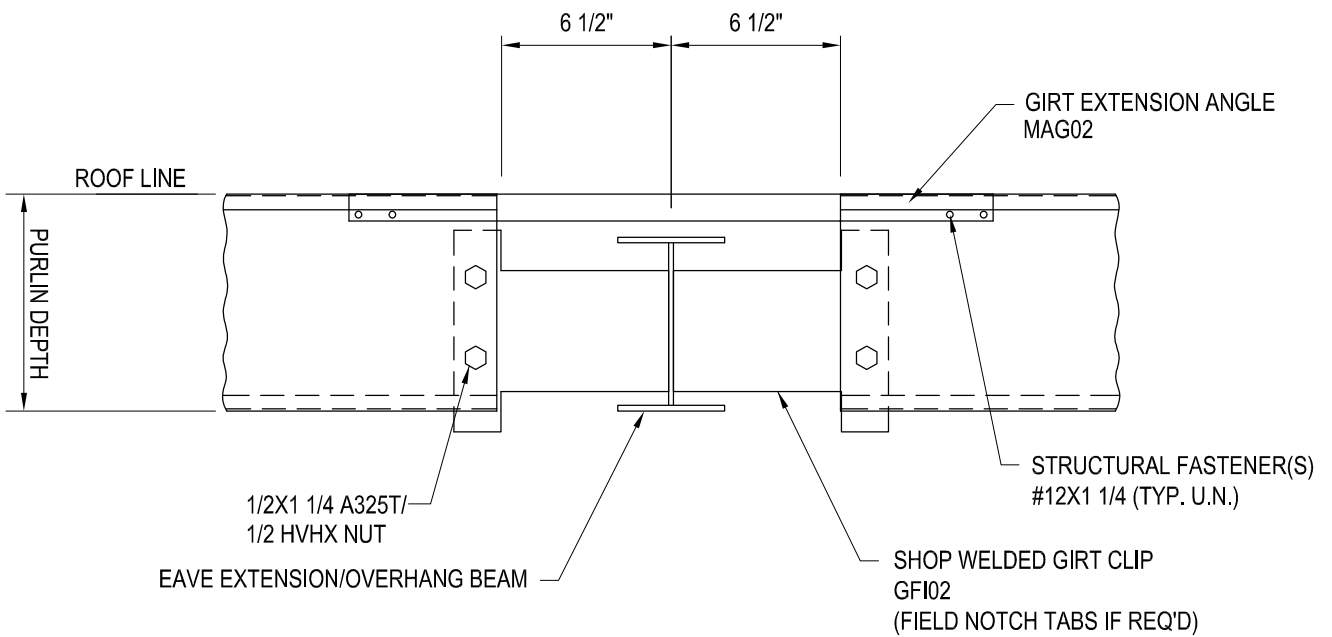
WSF04W
AA

[Download the DWG file by clicking here.](#)

[To Section Index](#)

Intermediated Purlin Connection

WSF04WA/AA



INTERMEDIATE PURLIN ATTACHMENT WITH SHOP WELDED CLIPS

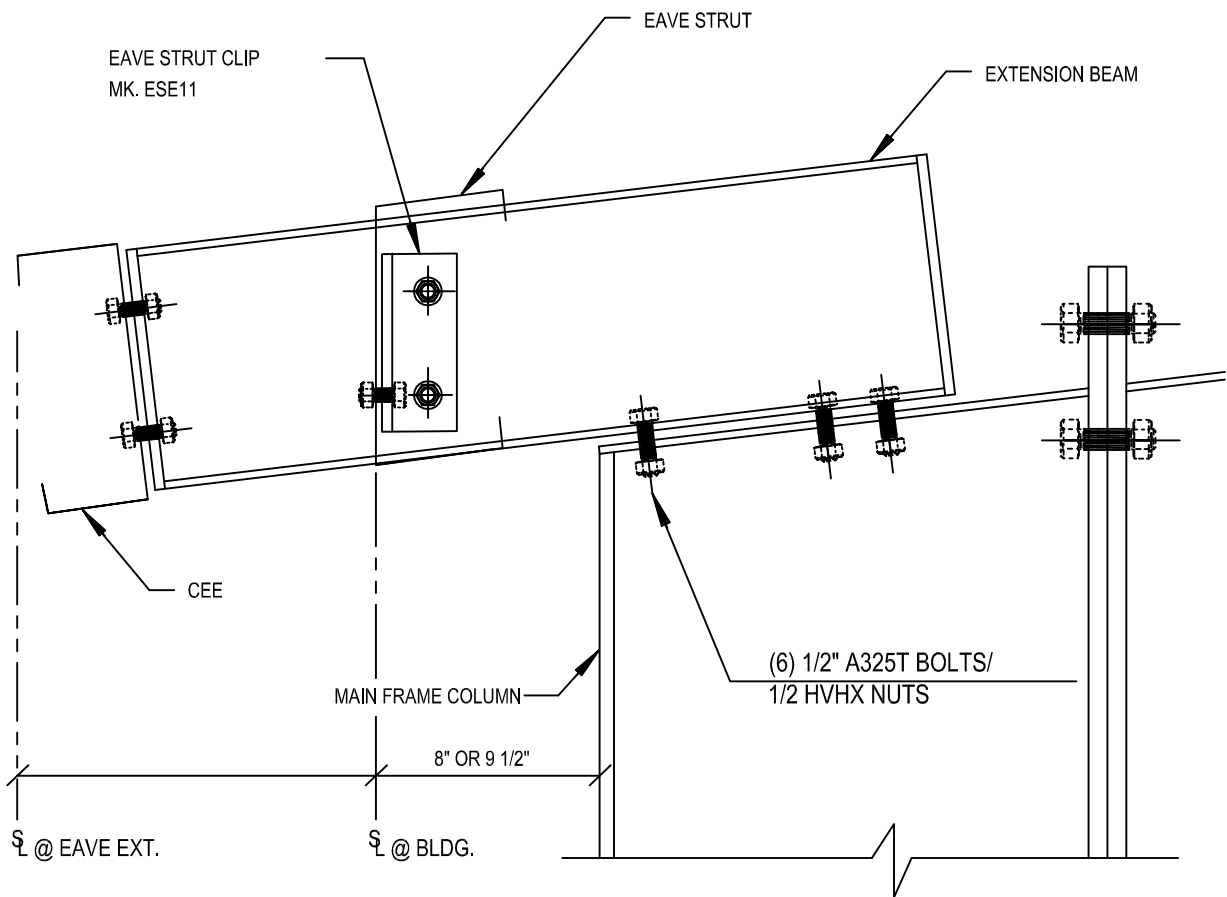
WSF04WA
AA

[Download the DWG file by clicking here.](#)

[To Section Index](#)

Low Eave Extension Detail

WSF04Y/AA



LOW EAVE EXTENSION DETAIL

BYPASS GIRTS AT INTERMEDIATE FRAMES FOR HAUNCH DEPTHS \leq 1'-3"
NOTE: USE 1/2" A325T BOLTS / 1/2 HVHX NUTS U.N.O.

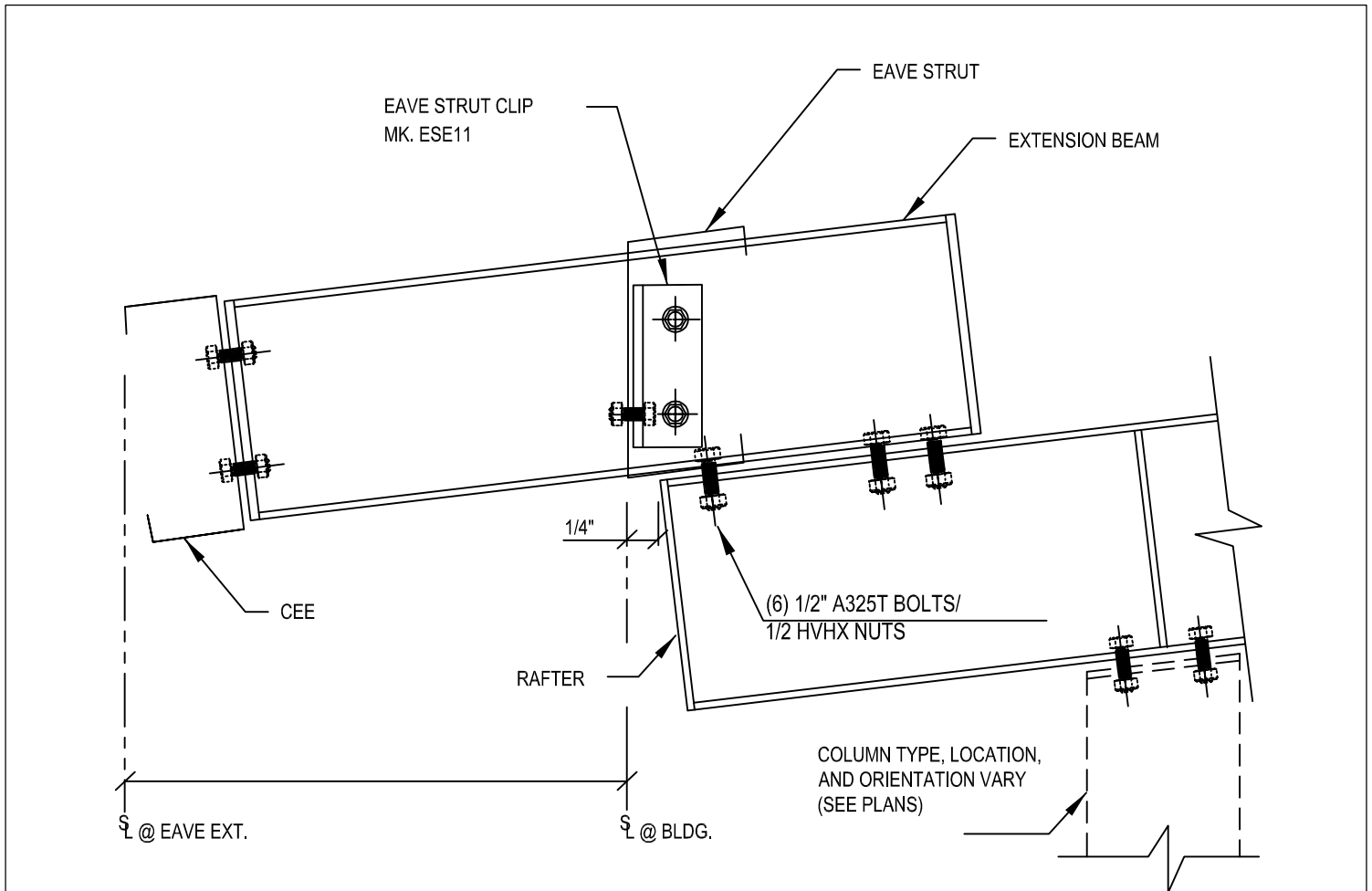
WSF04Y
AA

[Download the DWG file by clicking here.](#)

[To Section Index](#)

Low Eave Extension Detail

WSF04Z/AA



LOW EAVE EXTENSION DETAIL

POST AND BEAM ENDWALL

NOTE: USE 1/2" A325T BOLTS / 1/2 HVHX NUTS U.N.O.

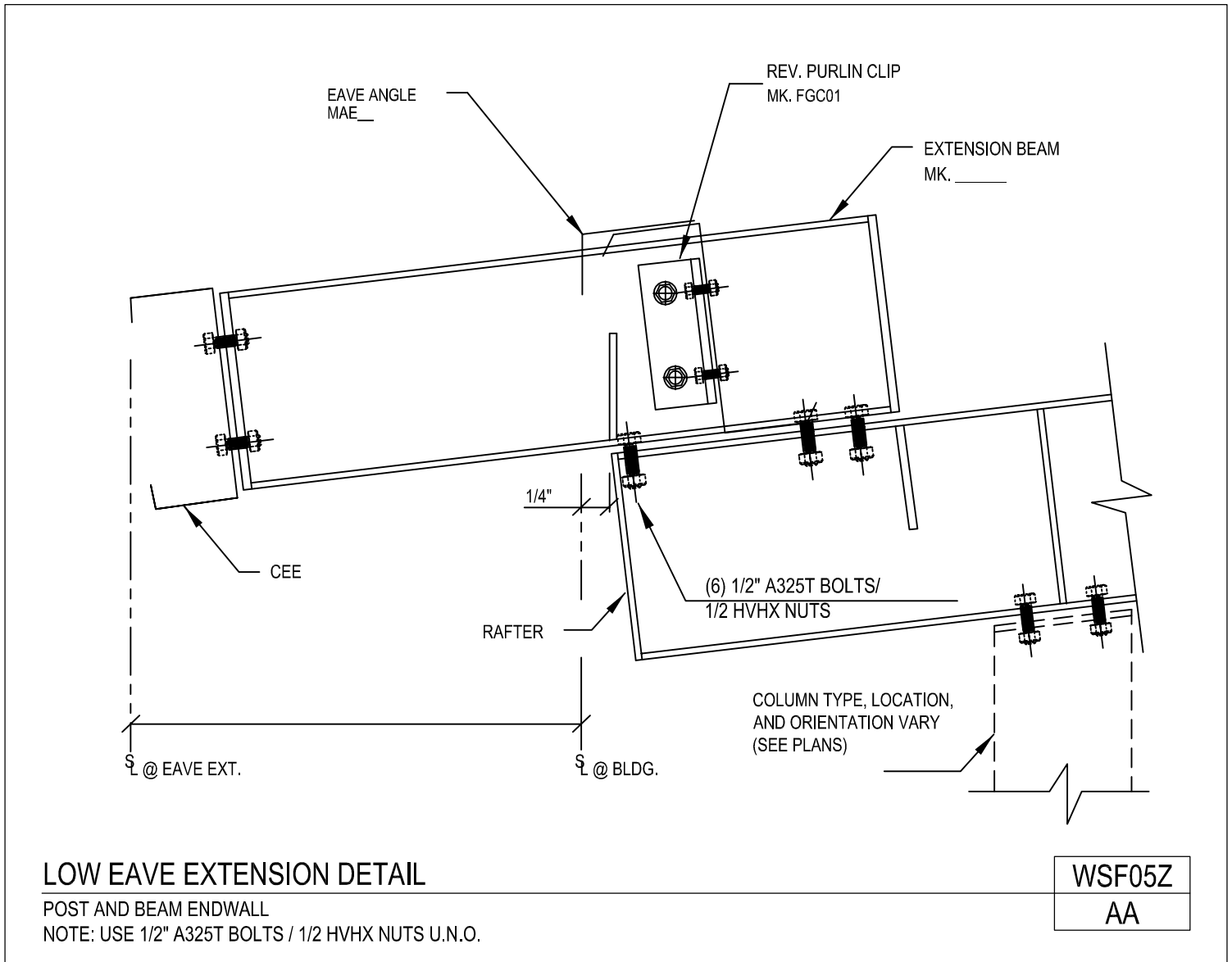
WSF04Z
AA

[Download the DWG file by clicking here.](#)

[To Section Index](#)

Low Eave Extension Detail

WSF05Z/AA

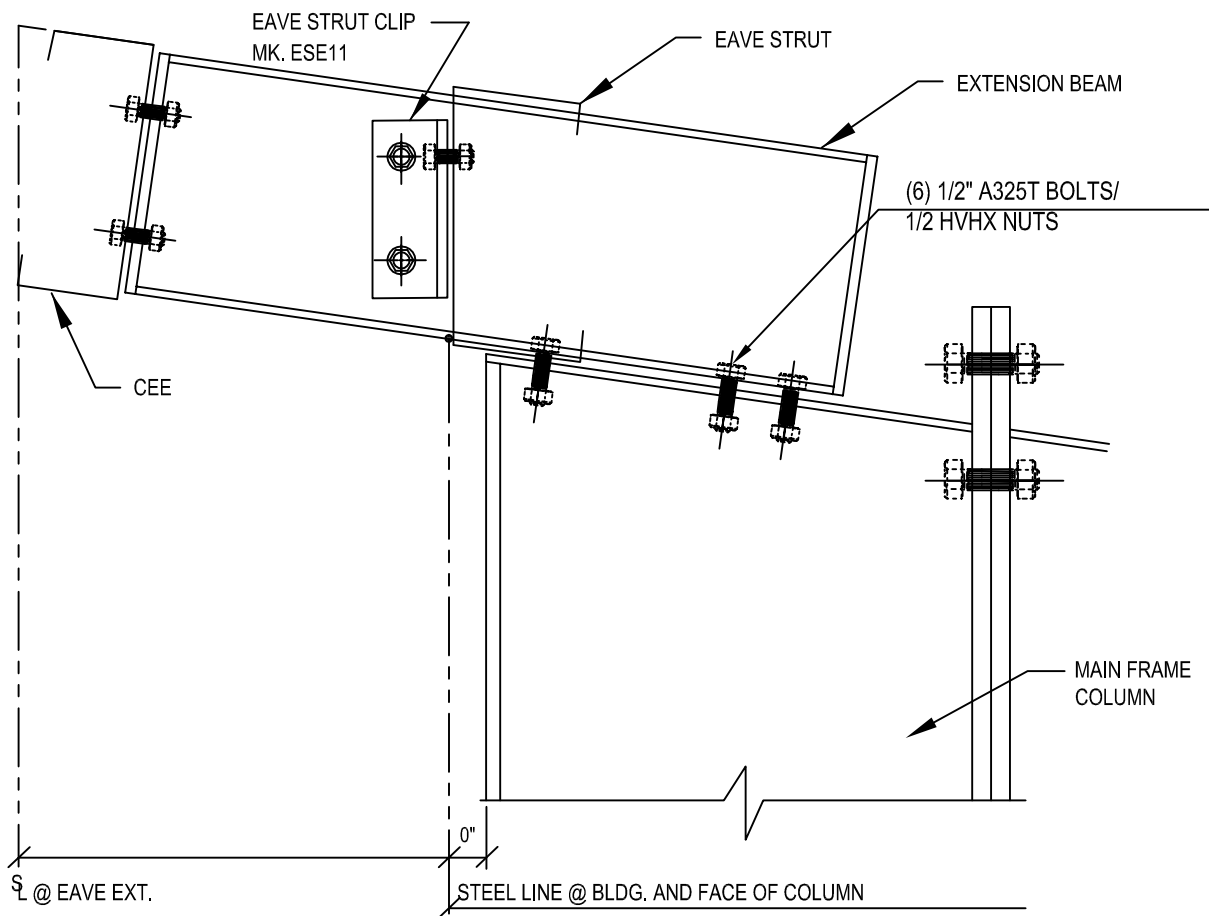


[Download the DWG file by clicking here.](#)

[To Section Index](#)

High Eave Extension Detail

WSF10/AA



HIGH EAVE EXTENSION DETAIL

FLUSH GIRTS AT INTERMEDIATE FRAMES
NOTE: USE 1/2" A325T BOLTS / 1/2 HVHX NUTS U.N.O.

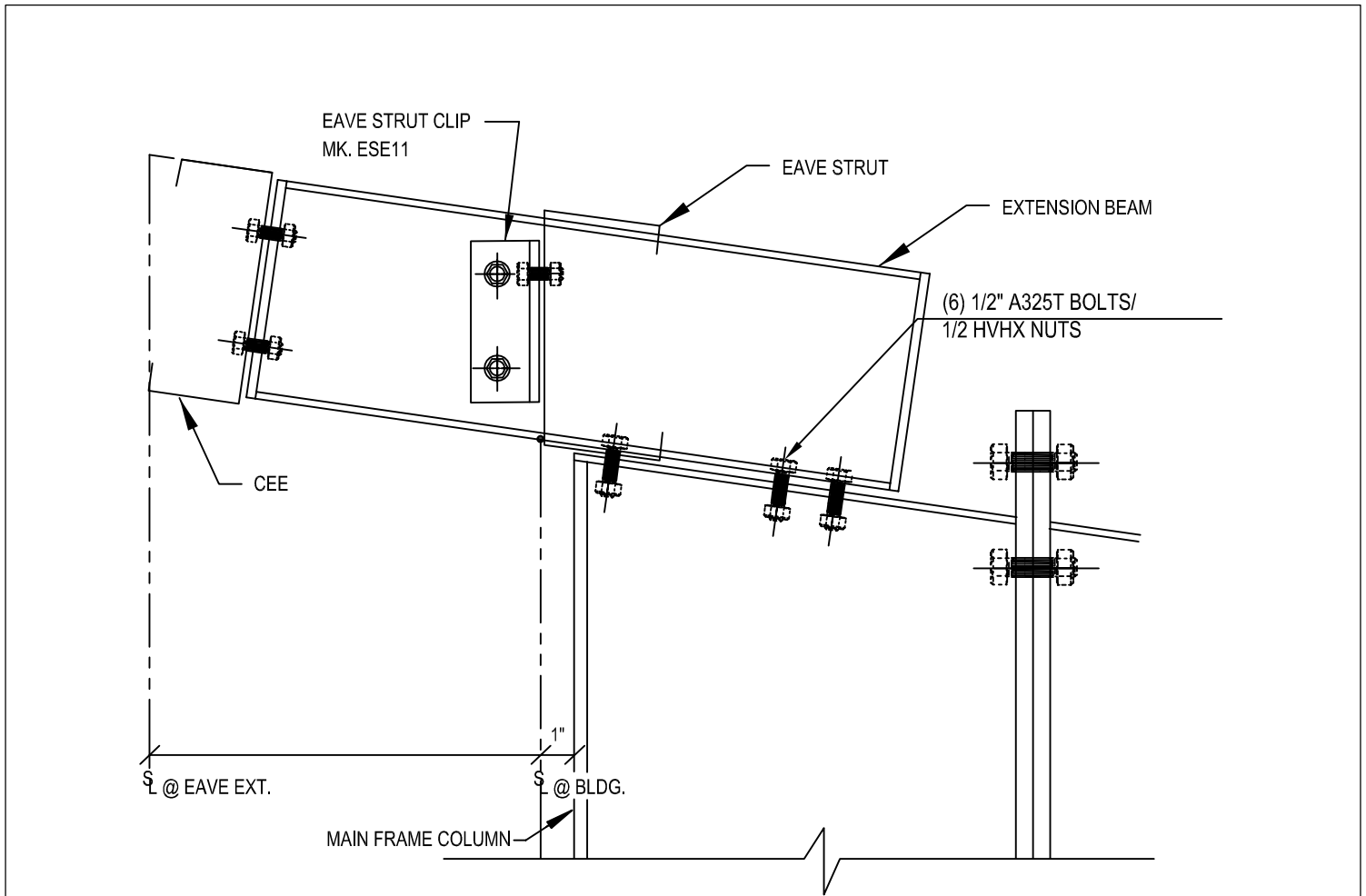
WSF10
AA

[Download the DWG file by clicking here.](#)

[To Section Index](#)

High Eave Extension Detail

WSF10A/AA



HIGH EAVE EXTENSION DETAIL

FLUSH GIRTS AT INTERMEDIATE FRAMES

NOTE: USE 1/2" A325T BOLTS / 1/2 HVHX NUTS U.N.O.

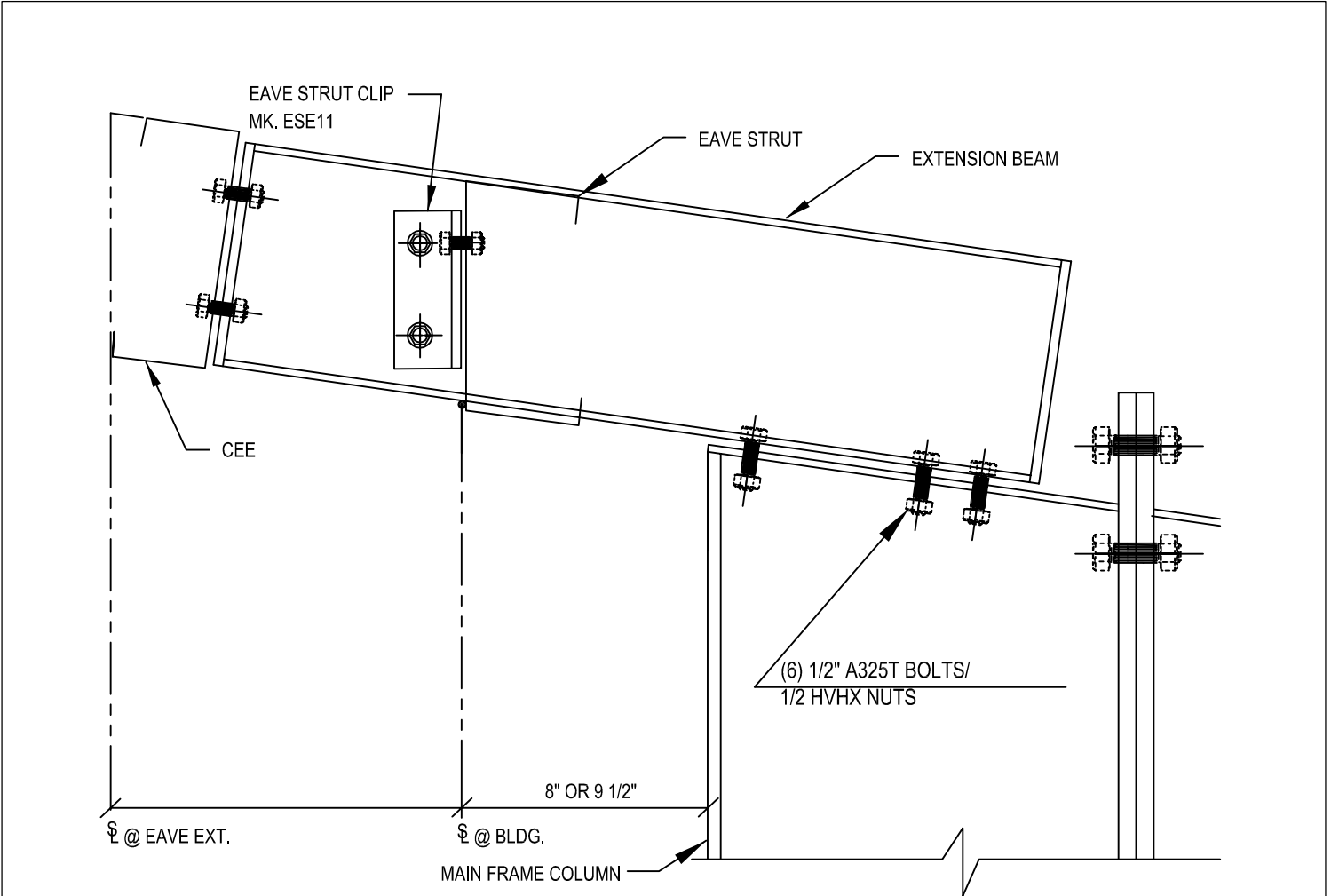
WSF10A
AA

[Download the DWG file by clicking here.](#)

[To Section Index](#)

High Eave Extension Detail

WSF10B/AA



HIGH EAVE EXTENSION DETAIL

GIRT AT INTERMEDIATE FRAMES W/ GUSSET (BYPASS CONDITION) FOR HAUNCH DEPTHS > 1'-3"
NOTE: USE 1/2" A325T BOLTS / 1/2 HVHX NUTS U.N.O.

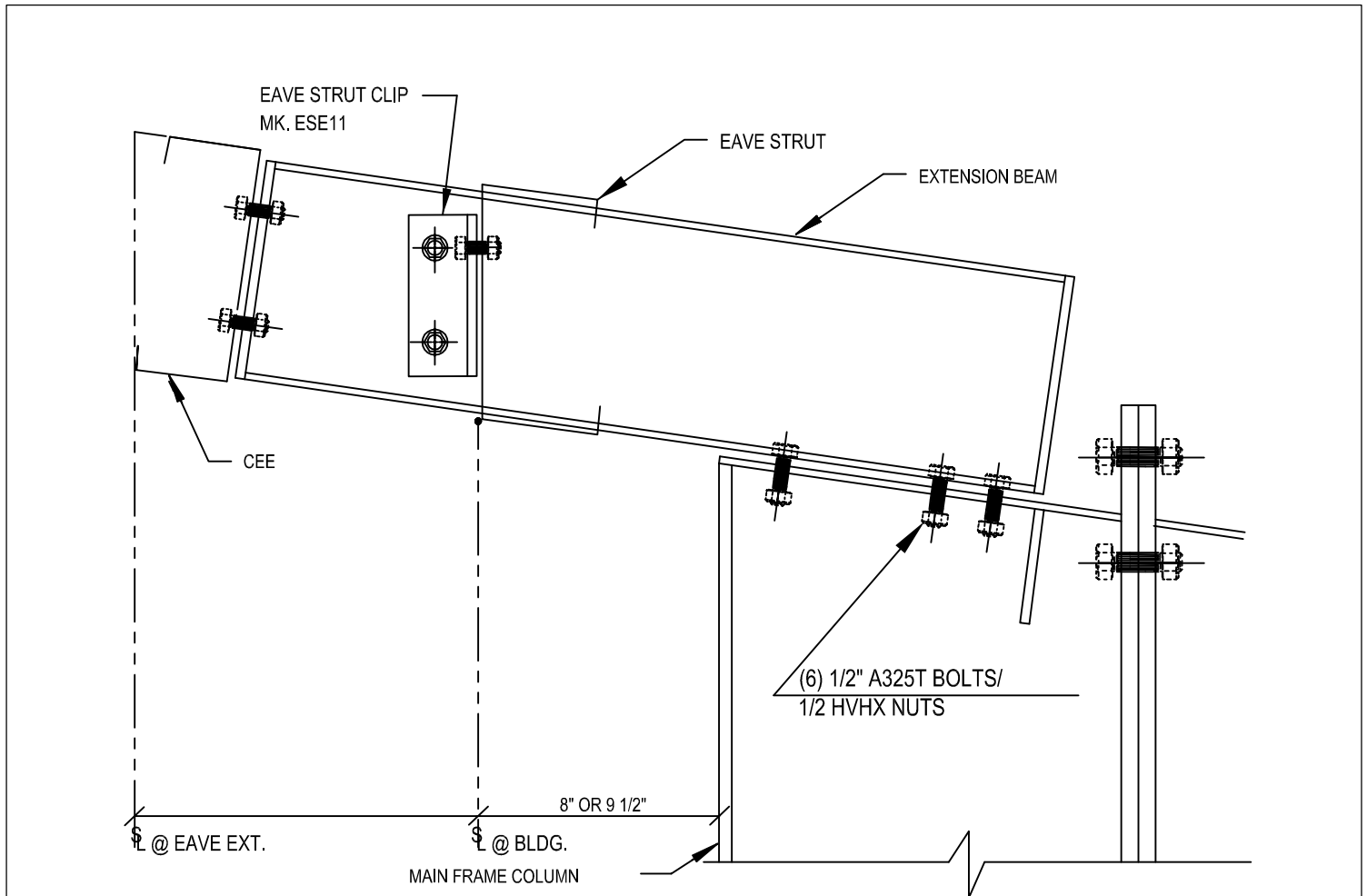
WSF10B
AA

[Download the DWG file by clicking here.](#)

[To Section Index](#)

High Eave Extension Detail

WSF10W/AA



HIGH EAVE EXTENSION DETAIL

GIRT AT INTERMEDIATE FRAMES W/ GUSSET (BYPASS CONDITION) FOR HAUNCH DEPTHS \leq 1'-3"
NOTE: USE 1/2" A325T BOLTS / 1/2 HVHX NUTS U.N.O.

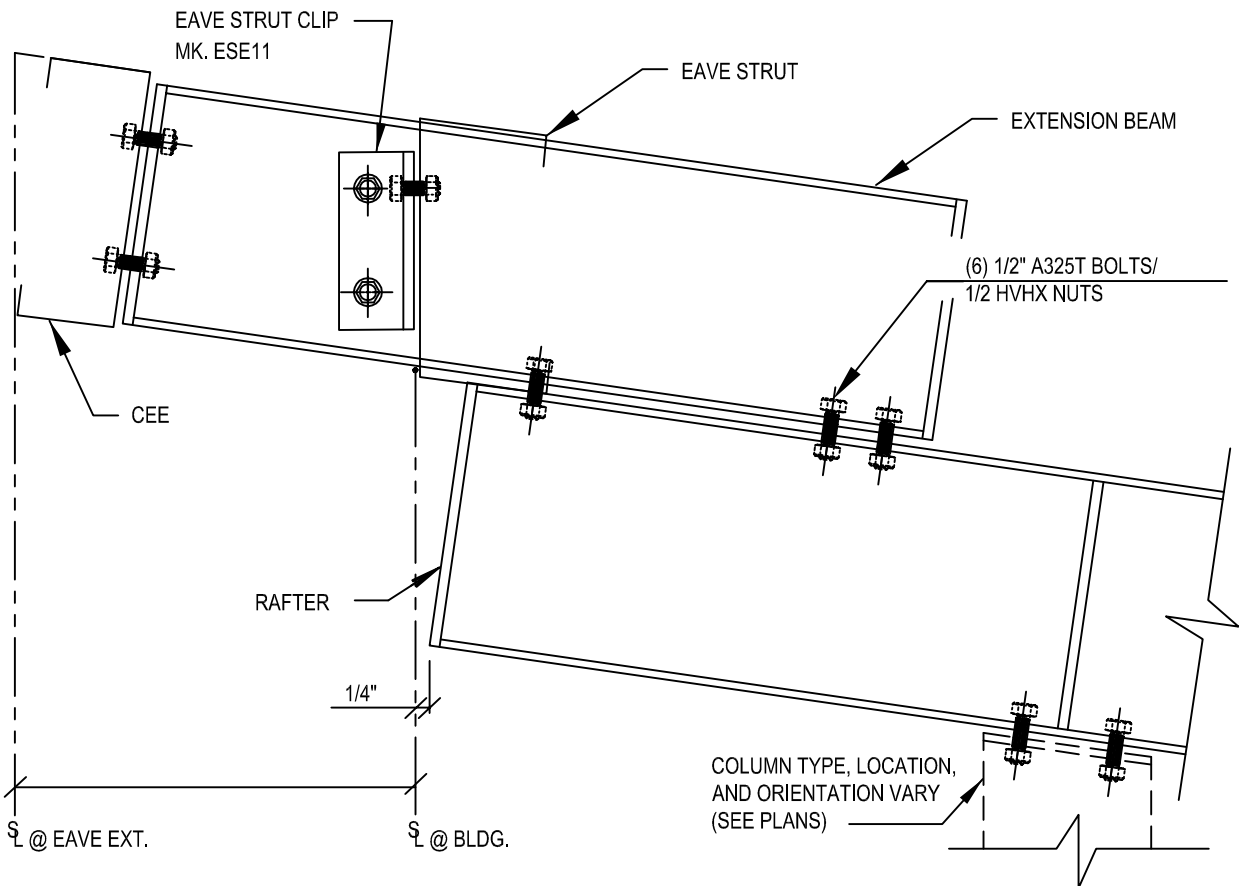
WSF10W
AA

[Download the DWG file by clicking here.](#)

[To Section Index](#)

High Eave Extension Detail

WSF10Y/AA



HIGH EAVE EXTENSION DETAIL

POST AND BEAM ENDWALL

NOTE: USE 1/2" A325T BOLTS / 1/2 HVHX NUTS U.N.O.

WSF10Y
AA

[Download the DWG file by clicking here.](#)

[To Section Index](#)