

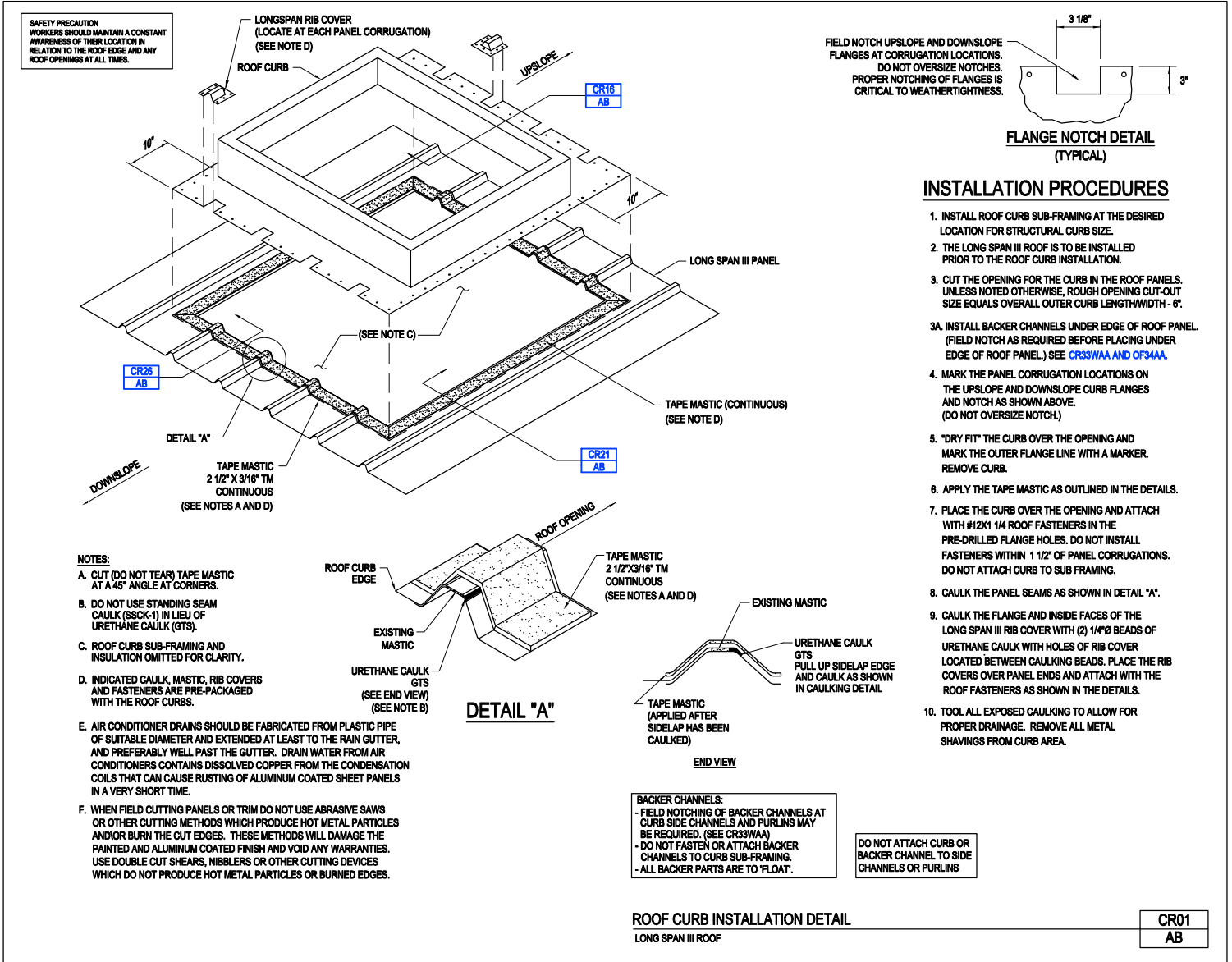
Index

CR01/AB, Roof Curb Installation Detail, Long Span III
CR01/GA, Roof Curb Installation Detail, Loc Seam Panel
CR01/QA, Roof Curb Installation, Hi Rib (HR3) Insulated Roof Panels
CR01/RA, Roof Curb Installation, Standing Seam (SR2) Insulated Roof Panels
CR01/SA, Roof Curb Installation Detail, Standing Seam Roof
CR01W/GA, Roof Curb Flashing Detail 2-Piece Curb, Loc Seam Roof
CR01W/QA, Roof Curb Installation 2-Piece Curbs, Hi Rib (HR3) Insulated Roof Panels
CR01W/RA, Roof Curb Installation 2-Piece Curbs, Standing Seam (SR2) Insulated Roof Panels
CR01W/SA, Roof Curb Installation 2-Piece Curbs, Standing Seam Roof
CR16/AB, Detail at Upslope Curb Flange, Long Span III
CR16/GA, Detail at Upslope Curb Flange, Loc Seam Panel
CR16/QA, Upslope Curb Flange, Hi Rib (HR3) Insulated Roof Panels
CR16/RA, Upslope Curb Flange, Standing Seam (SR2) Insulated Roof Panels
CR16/SA, Detail at Upslope Curb Flange, Standing Seam Roof
CR16W/GA, Detail at Upslope Curb Flange 2-Piece Curb, Loc Seam Panel
CR16W/QA, Detail at Upslope Curb Flange 2-Piece Curb, Hi Rib (HR3) Insulated Roof Panels
CR16W/RA, Detail at Upslope Curb Flange 2-Piece Curb, Standing Seam (SR2) Insulated Roof Panels
CR16W/SA, Detail at Upslope Curb Flange 2-Piece Curb, Standing Seam Roof
CR21/AB, Roof Curb Detail at Side Channel, Long Span III
CR21/GA, Roof Curb Detail at Side Channel, Loc Seam Panel
CR21/QA, Roof Curb Side Channel, Hi Rib (HR3) Insulated Roof Panels
CR21/RA, Roof Curb Side Channel, Standing Seam (SR2) Insulated Roof Panels
CR21/SA, Roof Curb Detail at Side Channel, Standing Seam Roof
CR21W/GA, Roof Curb Detail at Side Channel 2-Piece Curb, Loc Seam Panel
CR21W/QA, Roof Curb Detail 2-Piece Curb, Hi Rib (HR3) Insulated Roof Panels
CR21W/RA, Roof Curb Detail 2-Piece Curb, Standing Seam (SR2) Insulated Roof Panels
CR21W/SA, Roof Curb Detail 2-Piece Curb, Standing Seam Roof
CR26/AB, Detail at Downslope Curb Flange, Long Span III
CR26/GA, Detail at Downslope Curb Flange, Loc Seam Panel
CR26/QA, Downslope Curb Flange, Hi Rib (HR3) Insulated Roof Panels
CR26/RA, Downslope Curb Flange, Standing Seam (SR2) Insulated Roof Panels
CR26/SA, Detail at Downslope Curb Flange, Standing Seam Roof
CR26W/GA, Detail at Downslope Curb Flange 2-Piece Curb, Loc Seam Panel
CR26W/QA, Detail at Downslope Curb Flange 2-Piece Curb, Hi Rib (HR3) Insulated Roof Panels
CR26W/RA, Detail at Downslope Curb Flange 2-Piece Curb, Standing Seam (SR2) Insulated Roof Panels
CR26W/SA, Detail at Downslope Curb Flange 2-Piece Curb, Standing Seam Roof
CR32W/AA, Roof Curb Flashing Detail, 2-Piece Curbs (All Roof Types)
CR33/RA, Field Notching of Backer Channel
CR33W/AA, Field Notching of Backer Channel
CR50/AB, Lightweight Roof Cub Installation, Long Span III
CR50/GA, Lightweight Roof Curb Installation Detail, Loc Seam Panel

Index

CR50/SA, Lightweight Roof Curb Installation Detail, Standing Seam Roof
CR51/AB, Detail at Downslope Curb Flange (Lightweight Roof Curb), Long Span III
CR51/GA, Detail at Downslope Curb Flange (Lightweight Roof Curb), Loc Seam Panel
CR51/SA, Detail at Downslope Curb Flange (Lightweight Roof Curb), Standing Seam Roof
CR52/AB, Detail at Upslope Curb Flange (Lightweight Roof Curb), Long Span III Roof
CR52/GA, Detail at upslope Curb Flange (Lightweight Roof Curb), Loc Seam Roof
CR52/SA, Detail at Upslope Curb Flange (Lightweight Roof Curb), Standing Seam Roof
CR53/AA, Lightweight Roof Curb Detail at Side Channel, All Roof Panels
CR54/AA, Insulation and Safety Protection Installation, Lightweight Roof Curb
CR55/AA, Sheeting and Panel Cut-Out (Lightweight Roof Curb), All Roof Panels No., Drawing Name
CR56/AA, Lightweight Roof Curb Insulation Tie Off, All Roof Panels
CR58/AA, Hold Down Clip, Lightweight Roof Curbs
OF02/AA, Section Through Purlin at Curb Side Channel Connection
OF17/AA, Section Through Curb Side Channel, Cut Purlin
OF17A/AA, Section Through Curb Side Channel, Uncut Purlin
OF17W/AA, Section Through Curb Channel, 2-Piece Curbs (Cut Purlin)
OF17Y/AA, Section Through Curb Side Channel, Structural Framing
OF18/AA, Section Through Roof Panel Support Channel
OF18A/AA, Section at Roof Panel Support Channel
OF22/AA, Section Through Upper Curb
OF22W/AA, Section Through Upper Curb, 2-Piece Curbs
OF22Y/AA, Section Through Upper Curb Support Member, Structural Framing
OF25/AA, Section Through Purlin at Curb Side Channel Connection, Uncut Purlin
OF25Y/AA, Section Through Support Member at Curb Side Channel Connection, Structural Framing
OF27/AA, Section Through Lower Curb
OF27W/AA, Section Through Lower Curb, 2-Piece Curbs
OF27Y/AA, Section Through Lower Curb Support Member, Structural Framing
OF31/AA, Insulation Tie Off, All Roof Panels
OF34/AA, Backer Channel Procedure, All Roof Panels
OF34/RA, Backer Channel Procedure, Standing Seam (SR2) Insulated Roof Panels
OF94/AA, Roof Curb Framing Schedule, 5'-0" Purlin Spacing
OF94Y/AA, Roof Curb Framing Schedule, Structural Framing (5'-0" Purlin Spacing)
OFOD/AA, Roof Curb Framing Key at Cut Purlin
OFODA/AA, Roof Curb Framing Key at Uncut Purlin
OFOD/SK, Roof Curb Framing Key at Uncut Purlin, Lightweight Roof Curb
OFODW/AA, Roof Curb Framing Key at Cut Purlin, 2-Piece Curb
OFODWA/AA, Roof Curb Framing Key at Uncut Purlin, 2-Piece Curbs
OFODY/AA, Roof Curb Framing Key, Structural Framing

Roof Curb Installation Detail
 Longspan III
 CR01/AB



[Download the DWG file by clicking here.](#)

Roof Curb Installation Detail
Loc Seam Panel
CR01/GA

SAFETY PRECAUTION
WORKERS SHOULD MAINTAIN A CONSTANT AWARENESS OF THEIR LOCATION IN RELATION TO THE ROOF EDGE AND ANY ROOF OPENINGS AT ALL TIMES.

FIELD NOTCH UPSLOPE AND DOWNSLOPE FLANGES AT CORRUGATION LOCATIONS. DO NOT OVERSIZE NOTCHES. PROPER NOTCHING OF FLANGES IS CRITICAL TO WEATHERTIGHTNESS.

**FLANGE NOTCH DETAIL
(TYPICAL)**

INSTALLATION PROCEDURES

1. INSTALL ROOF CURB SUB-FRAMING AT THE DESIRED LOCATION FOR STRUCTURAL CURB SIZE.
2. THE LOC SEAM ROOF IS TO BE INSTALLED AND SEALED PRIOR TO THE ROOF CURB INSTALLATION.
3. CUT THE OPENING FOR THE CURB IN THE ROOF PANELS. UNLESS NOTED OTHERWISE, ROUGH OPENING CUT-OUT SIZE EQUALS OVERALL OUTER CURB LENGTH/WIDTH - 8".
- 3A. INSTALL BACKER CHANNELS UNDER EDGE OF ROOF PANEL. (FIELD NOTCH AS REQUIRED BEFORE PLACING UNDER EDGE OF ROOF PANEL.) SEE CR33WAA AND OF34AA.
4. MARK THE PANEL CORRUGATION LOCATIONS ON THE UPSLOPE AND DOWNSLOPE CURB FLANGES AND NOTCH AS SHOWN ABOVE. (DO NOT OVERSIZE NOTCH.)
5. "DRY FIT" THE CURB OVER THE OPENING AND MARK THE OUTER FLANGE LINE WITH A MARKER. REMOVE CURB.
6. APPLY THE TAPE MASTIC AS OUTLINED IN THE DETAILS.
7. PLACE THE CURB OVER THE OPENING AND ATTACH WITH #12X1 1/4 ROOF FASTENERS IN THE PRE-DRILLED FLANGE HOLES. DO NOT INSTALL FASTENERS WITHIN 1 1/2" OF PANEL CORRUGATIONS. DO NOT ATTACH CURB TO SUB FRAMING.
8. CAULK THE PANEL SEAMS AS SHOWN IN DETAIL "A".
9. CAULK THE FLANGE AND INSIDE FACES OF THE LOC SEAM RIB COVER WITH (2) 1/4" BEADS OF URETHANE CAULK WITH HOLES OF RIB COVER LOCATED BETWEEN CAULKING BEADS. PLACE THE RIB COVER OVER PANEL ENDS AND ATTACH WITH THE ROOF FASTENERS AS SHOWN IN THE DETAILS.
10. TOOL ALL EXPOSED CAULKING TO ALLOW FOR PROPER DRAINAGE. REMOVE ALL METAL SHAVINGS FROM CURB AREA.

DO NOT ATTACH CURB OR BACKER CHANNEL TO SIDE CHANNELS OR PURLINS

BACKER CHANNELS:
- FIELD NOTCHING OF BACKER CHANNELS AT CURB SIDE CHANNELS AND PURLINS MAY BE REQUIRED. (SEE CR33WAA)
- DO NOT FASTEN OR ATTACH BACKER CHANNELS TO CURB SUB-FRAMING.
- ALL BACKER PARTS ARE TO "FLOAT".

NOTES:

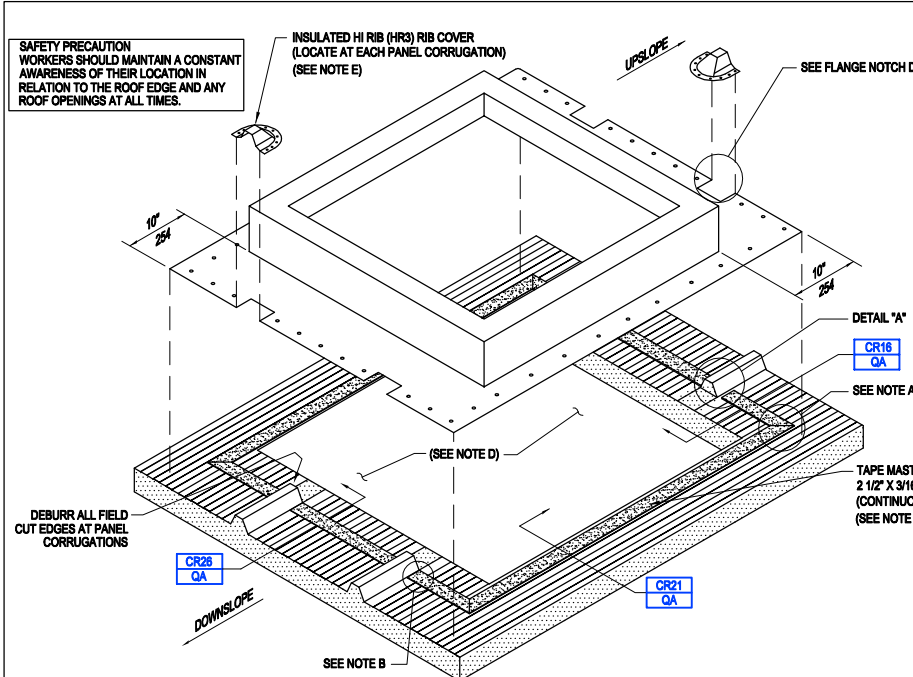
- A. CUT (DO NOT TEAR) TAPE MASTIC AT A 45° ANGLE AT CORNERS.
- B. CUT (DO NOT TEAR) TAPE MASTIC AT PANEL CORRUGATIONS.
- C. DO NOT USE STANDING SEAM CAULK (SSCK-1) IN LIEU OF URETHANE CAULK (GTS).
- D. ROOF CURB SUPPORT CHANNELS AND INSULATION OMITTED FOR CLARITY.
- E. INDICATED CAULK, MASTIC, RIB COVERS AND FASTENERS ARE PRE-PACKAGED WITH THE ROOF CURBS.
- F. AIR CONDITIONER DRAINS SHOULD BE FABRICATED FROM PLASTIC PIPE OF SUITABLE DIAMETER AND EXTENDED AT LEAST TO THE RAIN GUTTER, AND PREFERABLY WELL PAST THE GUTTER. DRAIN WATER FROM AIR CONDITIONERS CONTAINS DISSOLVED COPPER FROM THE CONDENSATION COILS THAT CAN CAUSE RUSTING OF ALUMINUM COATED SHEET PANELS IN A VERY SHORT TIME.
- G. WHEN FIELD CUTTING PANELS OR TRIM DO NOT USE ABRASIVE SAWS OR OTHER CUTTING METHODS WHICH PRODUCE HOT METAL PARTICLES AND/OR BURN THE CUT EDGES. THESE METHODS WILL DAMAGE THE PAINTED AND ALUMINUM COATED FINISH AND VOID ANY WARRANTIES. USE DOUBLE CUT SHEARS, NIBBLERS OR OTHER CUTTING DEVICES WHICH DO NOT PRODUCE HOT METAL PARTICLES OR BURNED EDGES.
- H. LOC SEAM PANEL ENDS WILL NEED TO BE FORMED TO A 360° SEAM AT RIB COVER LOCATIONS, REGARDLESS IF IT IS LOC SEAM 90.

ROOF CURB INSTALLATION DETAIL
LOC SEAM ROOF

CR01
GA

[Download the DWG file by clicking here.](#)

Roof Curb Installation
Hi Rib (HR3) Insulated Roof Panels
CR01/QA



SAFETY PRECAUTION
WORKERS SHOULD MAINTAIN A CONSTANT AWARENESS OF THEIR LOCATION IN RELATION TO THE ROOF EDGE AND ANY ROOF OPENINGS AT ALL TIMES.

INSULATED HI RIB (HR3) RIB COVER (LOCATE AT EACH PANEL CORRUGATION) (SEE NOTE E)

UP/SLOPE

SEE FLANGE NOTCH DETAIL

10" 254

10" 254

DETAIL "A"

CR16 QA

SEE NOTE A

(SEE NOTE D)

TAPE MASTIC 2 1/2" X 3/16" TM (CONTINUOUS) (SEE NOTE E)

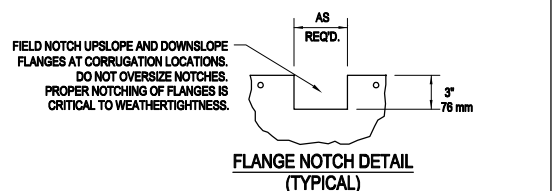
DEBURR ALL FIELD CUT EDGES AT PANEL CORRUGATIONS

CR28 QA

DOWN/SLOPE

CR21 QA

SEE NOTE B



FIELD NOTCH UPSLOPE AND DOWNSLOPE FLANGES AT CORRUGATION LOCATIONS. DO NOT OVERSIZE NOTCHES. PROPER NOTCHING OF FLANGES IS CRITICAL TO WEATHERTIGHTNESS.

AS REQ'D.

3" 76 mm

FLANGE NOTCH DETAIL (TYPICAL)

INSTALLATION PROCEDURES

1. INSTALL ROOF CURB SUB-FRAMING AT THE DESIRED LOCATION FOR STRUCTURAL CURB SIZE.
2. THE HI RIB ROOF IS TO BE INSTALLED AND FASTENED PRIOR TO ROOF CURB INSTALLATION.
3. CUT THE OPENING FOR THE CURB IN THE ROOF PANELS. UNLESS NOTED OTHERWISE, ROUGH OPENING CUT-OUT SIZE EQUALS INSIDE LENGTH/WIDTH OF CURB.
- 3A. REMOVE HIGH RIB OF PANEL. CUT-OUT OF HIGH RIB IS TYPICALLY 6 1/2" FROM THE INSIDE EDGE OF PANEL FROM CURB OPENING.
- 3B. INSTALL BACKER CHANNELS AT INTERIOR SIDE OF PANEL (FIELD CUT AS REQUIRED BEFORE PLACING UNDER ROOF PANEL EDGE.) SEE CR33RA AND CP34RA.
4. MARK THE PANEL CORRUGATION LOCATIONS ON THE UPSLOPE AND DOWNSLOPE CURB FLANGES OF THE FLOATING CURB AND NOTCH AS SHOWN ABOVE. (DO NOT OVERSIZE NOTCH.)
5. "DRY FIT" THE CURB OVER THE OPENING AND MARK THE OUTER FLANGE LINE WITH A MARKER. REMOVE CURB.
6. APPLY THE TAPE MASTIC AS OUTLINED IN THE DETAILS.
7. PLACE THE CURB OVER THE OPENING AND ATTACH WITH ROOF MAIN FASTENERS IN THE PRE-DRILLED FLANGE HOLES.
8. CAULK THE PANEL SEAMS AS SHOWN IN DETAIL "A".
9. CAULK THE FLANGE AND INSIDE FACES OF THE HI RIB COVER WITH (2) 1/4" Ø BEADS OF URETHANE CAULK WITH HOLES OF RIB COVER LOCATED BETWEEN CAULKING BEADS. PLACE THE RIB COVERS OVER PANEL ENDS AND ATTACH WITH THE ROOF FASTENERS AS SHOWN IN THE DETAILS.
10. TOOL ALL EXPOSED CAULKING TO ALLOW FOR PROPER DRAINAGE. REMOVE ALL METAL SHAVINGS FROM CURB AREA.

NOTES:

- A. CUT (DO NOT TEAR) TAPE MASTIC AT A 45° ANGLE AT CORNERS.
- B. CUT (DO NOT TEAR) TAPE MASTIC AT PANEL CORRUGATIONS.
- C. DO NOT USE STANDING SEAM CAULK (SSCK-1) IN LIEU OF URETHANE CAULK (GTS).
- D. ROOF CURB SUB-FRAMING AND INSULATION OMITTED FOR CLARITY.
- E. INDICATED CAULK, MASTIC, RIB COVERS AND FASTENERS ARE PRE-PACKAGED WITH THE ROOF CURBS.
- F. AIR CONDITIONER DRAINS SHOULD BE FABRICATED FROM PLASTIC PIPE OF SUITABLE DIAMETER AND EXTENDED AT LEAST TO THE RAIN GUTTER, AND PREFERABLY WELL PAST THE GUTTER. DRAIN WATER FROM AIR CONDITIONERS CONTAINS DISSOLVED COPPER FROM THE CONDENSATION COILS THAT CAN CAUSE RUSTING OF ALUMINUM COATED SHEET PANELS IN A VERY SHORT TIME.
- G. WHEN FIELD CUTTING PANELS OR TRIM DO NOT USE ABRASIVE SAWS OR OTHER CUTTING METHODS WHICH PRODUCE HOT METAL PARTICLES AND/OR BURN THE CUT EDGES. THESE METHODS WILL DAMAGE THE PAINTED AND ALUMINUM COATED FINISH AND VOID ANY WARRANTIES. USE DOUBLE CUT SHEARS, NIBBLERS OR OTHER CUTTING DEVICES WHICH DO NOT PRODUCE HOT METAL PARTICLES OR BURNED EDGES.

ROOF CURB INSTALLATION
HI RIB (HR3) INSULATED ROOF PANELS

CR01 QA

[Download the DWG file by clicking here.](#)

[To Section Index](#)

Roof Curb Installation
Standing Seam (SR2) Insulated Roof Panels
CR01/RA

SAFETY PRECAUTION
WORKERS SHOULD MAINTAIN A CONSTANT AWARENESS OF THEIR LOCATION IN RELATION TO THE ROOF EDGE AND ANY ROOF OPENINGS AT ALL TIMES.

INSULATED STANDING SEAM (SR2) RIB COVER (LOCATE AT EACH PANEL CORRUGATION) (SEE NOTE E)

UP/SLOPE

SEE FLANGE NOTCH DETAIL

10" 254

10" 254

DEBURR ALL FIELD CUT EDGES AT PANEL CORRUGATIONS

CR28 RA

DOWN/SLOPE

SEE NOTE B

SEE NOTE D

CR21 RA

URETHANE CAULK GTS FILL PANEL END (SEE NOTES C AND E)

VIEW "A"

STANDING SEAM (SR2) INSULATED PANEL

51 mm 2" 127 mm

ROOF CURB FLANGE EDGE

URETHANE CAULK GTS (SEE NOTES C AND E)

DETAIL "A"

CR16 RA

SEE NOTE A

TAPE MASTIC 2 1/2" X 3/16" TM (CONTINUOUS) (SEE NOTE E)

FIELD NOTCH UPSLOPE AND DOWNSLOPE FLANGES AT CORRUGATION LOCATIONS. DO NOT OVERSIZE NOTCHES. PROPER NOTCHING OF FLANGES IS CRITICAL TO WEATHERTIGHTNESS.

FLANGE NOTCH DETAIL (TYPICAL)

INSTALLATION PROCEDURES

1. INSTALL ROOF CURB SUB-FRAMING AT THE DESIRED LOCATION FOR STRUCTURAL CURB SIZE.
2. THE STANDING SEAM ROOF IS TO BE INSTALLED AND SEAMED PRIOR TO ROOF CURB INSTALLATION.
3. CUT THE OPENING FOR THE CURB IN THE ROOF PANELS. UNLESS NOTED OTHERWISE, ROUGH OPENING CUT-OUT SIZE EQUALS INSIDE LENGTH/WIDTH OF CURB.
- 3A. REMOVE HIGH RIB OF PANEL. CUT-OUT OF HIGH RIB IS TYPICALLY 8 1/2" FROM THE INSIDE EDGE OF PANEL FROM CURB OPENING.
- 3B. INSTALL BACKER CHANNELS AT INTERIOR SIDE OF PANEL (FIELD CUT AS REQUIRED BEFORE PLACING UNDER ROOF PANEL EDGE.) SEE CR33RA AND OF34RA.
4. MARK THE PANEL CORRUGATION LOCATIONS ON THE UPSLOPE AND DOWNSLOPE CURB FLANGES OF THE FLOATING CURB AND NOTCH AS SHOWN ABOVE. (DO NOT OVERSIZE NOTCH.)
5. "DRY FIT" THE CURB OVER THE OPENING AND MARK THE OUTER FLANGE LINE WITH A MARKER. REMOVE CURB.
6. APPLY THE TAPE MASTIC AS OUTLINED IN THE DETAILS.
7. PLACE THE CURB OVER THE OPENING AND ATTACH WITH ROOF MAIN FASTENERS IN THE PRE-DRILLED FLANGE HOLES.
8. CAULK THE PANEL SEAMS AS SHOWN IN DETAIL "A".
9. CAULK THE FLANGE AND INSIDE FACES OF THE STANDING SEAM RIB COVER WITH (2) 1/4" BEADS OF URETHANE CAULK WITH HOLES OF RIB COVER LOCATED BETWEEN CAULKING BEADS. PLACE THE RIB COVERS OVER PANEL ENDS AND ATTACH WITH THE ROOF FASTENERS AS SHOWN IN THE DETAILS.
10. TOOL ALL EXPOSED CAULKING TO ALLOW FOR PROPER DRAINAGE. REMOVE ALL METAL SHAVINGS FROM CURB AREA.

NOTES:

- A. CUT (DO NOT TEAR) TAPE MASTIC AT A 45° ANGLE AT CORNERS.
- B. CUT (DO NOT TEAR) TAPE MASTIC AT PANEL CORRUGATIONS.
- C. DO NOT USE STANDING SEAM CAULK (SSCK-1) IN LIEU OF URETHANE CAULK (GTS).
- D. ROOF CURB SUB-FRAMING AND INSULATION OMITTED FOR CLARITY.
- E. INDICATED CAULK, MASTIC, RIB COVERS AND FASTENERS ARE PRE-PACKAGED WITH THE ROOF CURBS.
- F. AIR CONDITIONER DRAINS SHOULD BE FABRICATED FROM PLASTIC PIPE OF SUITABLE DIAMETER AND EXTENDED AT LEAST TO THE RAIN GUTTER, AND PREFERABLY WELL PAST THE GUTTER. DRAIN WATER FROM AIR CONDITIONERS CONTAINS DISSOLVED COPPER FROM THE CONDENSATION COILS THAT CAN CAUSE RUSTING OF ALUMINUM COATED SHEET PANELS IN A VERY SHORT TIME.
- G. WHEN FIELD CUTTING PANELS OR TRIM DO NOT USE ABRASIVE SAWS OR OTHER CUTTING METHODS WHICH PRODUCE HOT METAL PARTICLES AND/OR BURN THE CUT EDGES. THESE METHODS WILL DAMAGE THE PAINTED AND ALUMINUM COATED FINISH AND VOID ANY WARRANTIES. USE DOUBLE CUT SHEARS, NIBBLERS OR OTHER CUTTING DEVICES WHICH DO NOT PRODUCE HOT METAL PARTICLES OR BURNED EDGES.

ROOF CURB INSTALLATION
STANDING SEAM (SR2) INSULATED ROOF PANELS

CR01 RA

[Download the DWG file by clicking here.](#)

Roof Curb Installation Detail
Standing Seam Roof
CR01/SA

SAFETY PRECAUTION
WORKERS SHOULD MAINTAIN A CONSTANT AWARENESS OF THEIR LOCATION IN RELATION TO THE ROOF EDGE AND ANY ROOF OPENINGS AT ALL TIMES.

NOTES:

- A. CUT (DO NOT TEAR) TAPE MASTIC AT A 45° ANGLE AT CORNERS.
- B. CUT (DO NOT TEAR) TAPE MASTIC AT PANEL CORRUGATIONS.
- C. DO NOT USE STANDING SEAM CAULK (SSCK-1) IN LIEU OF URETHANE CAULK (GTS).
- D. ROOF CURB SUB-FRAMING AND INSULATION OMITTED FOR CLARITY.
- E. INDICATED CAULK, MASTIC, RIB COVERS AND FASTENERS ARE PRE-PACKAGED WITH THE ROOF CURBS.
- F. AIR CONDITIONER DRAINS SHOULD BE FABRICATED FROM PLASTIC PIPE OF SUITABLE DIAMETER AND EXTENDED AT LEAST TO THE RAIN GUTTER, AND PREFERABLY WELL PAST THE GUTTER. DRAIN WATER FROM AIR CONDITIONERS CONTAINS DISSOLVED COPPER FROM THE CONDENSATION COILS THAT CAN CAUSE RUSTING OF ALUMINUM COATED SHEET PANELS IN A VERY SHORT TIME.
- G. WHEN FIELD CUTTING PANELS OR TRIM DO NOT USE ABRASIVE SAWS OR OTHER CUTTING METHODS WHICH PRODUCE HOT METAL PARTICLES AND/OR BURN THE CUT EDGES. THESE METHODS WILL DAMAGE THE PAINTED AND ALUMINUM COATED FINISH AND VOID ANY WARRANTIES. USE DOUBLE CUT SHEARS, NIBBLERS OR OTHER CUTTING DEVICES WHICH DO NOT PRODUCE HOT METAL PARTICLES OR BURNED EDGES.

INSTALLATION PROCEDURES

1. INSTALL ROOF CURB SUB-FRAMING AT THE DESIRED LOCATION FOR STRUCTURAL CURB SIZE.
2. THE STANDING SEAM ROOF IS TO BE INSTALLED AND SEAMED PRIOR TO THE ROOF CURB INSTALLATION.
3. CUT THE OPENING FOR THE CURB IN THE ROOF PANELS. UNLESS NOTED OTHERWISE, ROUGH OPENING CUT-OUT SIZE EQUALS OVERALL OUTER CURB LENGTH/WIDTH - 6".
- 3A. INSTALL BACKER CHANNELS UNDER EDGE OF ROOF PANEL. (FIELD NOTCH AS REQUIRED BEFORE PLACING UNDER EDGE OF ROOF PANEL.) SEE CR33WAA AND OF34AA.
4. MARK THE PANEL CORRUGATION LOCATIONS ON THE UPSLOPE AND DOWNSLOPE CURB FLANGES AND NOTCH AS SHOWN ABOVE. (DO NOT OVERSIZE NOTCH.)
5. "DRY FIT" THE CURB OVER THE OPENING AND MARK THE OUTER FLANGE LINE WITH A MARKER. REMOVE CURB.
6. APPLY THE TAPE MASTIC AS OUTLINED IN THE DETAILS.
7. PLACE THE CURB OVER THE OPENING AND ATTACH WITH #12X1 1/4 ROOF FASTENERS IN THE PRE-DRILLED FLANGE HOLES. DO NOT INSTALL FASTENERS WITHIN 1 1/2" OF PANEL CORRUGATIONS. DO NOT ATTACH CURB TO SUB FRAMING.
8. CAULK THE PANEL SEAMS AS SHOWN IN DETAIL "A".
9. CAULK THE FLANGE AND INSIDE FACES OF THE STANDING SEAM RIB COVER WITH (2) 1/4"Ø BEADS OF URETHANE CAULK WITH HOLES OF RIB COVER LOCATED BETWEEN CAULKING BEADS. PLACE THE RIB COVERS OVER PANEL ENDS AND ATTACH WITH THE ROOF FASTENERS AS SHOWN IN THE DETAILS.
10. TOOL ALL EXPOSED CAULKING TO ALLOW FOR PROPER DRAINAGE. REMOVE ALL METAL SHAVINGS FROM CURB AREA.

DETAIL "A"

DETAIL "A"

DO NOT ATTACH CURB OR BACKER CHANNEL TO SIDE CHANNELS OR PURLINS

BACKER CHANNELS:
- FIELD NOTCHING OF BACKER CHANNELS AT CURB SIDE CHANNELS AND PURLINS MAY BE REQUIRED. (SEE CR33WAA)
- DO NOT FASTEN OR ATTACH BACKER CHANNELS TO CURB SUB-FRAMING.
- ALL BACKER PARTS ARE TO 'FLOAT'.

ROOF CURB INSTALLATION DETAIL
STANDING SEAM ROOF

CR01 SA

[Download the DWG file by clicking here.](#)

Roof Curb Flashing Detail 2-Piece Curb
Loc Seam Roof
CR01W/GA

SAFETY PRECAUTION
WORKERS SHOULD MAINTAIN A CONSTANT AWARENESS OF THEIR LOCATION IN RELATION TO THE ROOF EDGE AND ANY ROOF OPENINGS AT ALL TIMES.

LOC SEAM RIB COVER
(LOCATE AT EACH PANEL CORRUGATION)
(SEE NOTES E AND H)

CR21W
GA

CR16W
GA

CR26W
GA

SEE FLANGE NOTCH DETAIL

UPSLOPE

DOWN-SLOPE

FIELD NOTCH UPSLOPE AND DOWNSLOPE FLANGES AT CORRUGATION LOCATIONS. DO NOT OVERSIZE NOTCHES. PROPER NOTCHING OF FLANGES IS CRITICAL TO WEATHERTIGHTNESS.

**FLANGE NOTCH DETAIL
(TYPICAL)**

NOTES:

- A. CUT (DO NOT TEAR) TAPE MASTIC AT A 45° ANGLE AT CORNERS.
- B. CUT (DO NOT TEAR) TAPE MASTIC AT PANEL CORRUGATIONS.
- C. DO NOT USE STANDING SEAM CAULK (SSCK-1) IN LIEU OF URETHANE CAULK (GTS).
- D. ROOF CURB SUPPORT CHANNELS AND INSULATION OMITTED FOR CLARITY.
- E. INDICATED CAULK, MASTIC, RIB COVERS AND FASTENERS ARE PRE-PACKAGED WITH THE ROOF CURBS.
- F. AIR CONDITIONER DRAINS SHOULD BE FABRICATED FROM PLASTIC PIPE OF SUITABLE DIAMETER AND EXTENDED AT LEAST TO THE RAIN GUTTER, AND PREFERABLY WELL PAST THE GUTTER. DRAIN WATER FROM AIR CONDITIONERS CONTAINS DISSOLVED COPPER FROM THE CONDENSATION COILS THAT CAN CAUSE RUSTING OF ALUMINUM COATED SHEET PANELS IN A VERY SHORT TIME.
- G. WHEN FIELD CUTTING PANELS OR TRIM DO NOT USE ABRASIVE SAWS OR OTHER CUTTING METHODS WHICH PRODUCE HOT METAL PARTICLES AND/OR BURR THE CUT EDGES. THESE METHODS WILL DAMAGE THE PAINTED AND ALUMINUM COATED FINISH AND VOID ANY WARRANTIES. USE DOUBLE CUT SHEARS, NIBBLERS OR OTHER CUTTING DEVICES WHICH DO NOT PRODUCE HOT METAL PARTICLES OR BURNED EDGES.
- H. LOC SEAM PANEL ENDS WILL NEED TO BE FORMED TO A 360° SEAM AT RIB COVER LOCATIONS, REGARDLESS IF IT IS LOC SEAM 90.

DETAIL "A"

SEE NOTE A

LOC SEAM PANELS

TAPE MASTIC
2 1/2"x3/16" TM (UPHILL DOWNHILL)
1 1/2"x3/16" TM (SIDES)
CONTINUOUS
(SEE NOTE E)

DEBURR ALL FIELD CUT EDGES AT PANEL CORRUGATIONS

(SEE NOTE D)

SEE NOTE B AND H

LOC SEAM 360 AT RIB COVER
(SEE NOTE H)

DO NOT ATTACH FLOATING CURB OR BACKER CHANNEL TO SIDE CHANNELS OR PURLINS

BACKER CHANNELS:
- FIELD NOTCHING OF BACKER CHANNELS AT CURB SIDE CHANNELS AND PURLINS MAY BE REQUIRED. (SEE CR33WAA)
- DO NOT FASTEN OR ATTACH BACKER CHANNELS TO CURB SUB-FRAMING.
- ALL BACKER PARTS ARE TO "FLOAT."

11. REFER TO DETAIL CR22WAA FOR INSTALLATION OF FLASHING COLLAR.

DETAIL "A"

LOC SEAM PANEL

URETHANE CAULK, GTS
(2) RUNS OF CAULK, (1) UNDER SEAM
(1) AT BOTTOM CORNER
(SEE NOTES C AND E)

ROOF CURB FLANGE EDGE

TAPE MASTIC
2 1/2"x3/16"
(CONTINUOUS)
(SEE NOTE B AND E)

ROOF CURB INSTALLATION DETAIL 2-PIECE CURBS

LOC SEAM ROOF

CR01W
GA

INSTALLATION PROCEDURES

1. INSTALL ROOF CURB SUB-FRAMING AT THE DESIRED LOCATION FOR STRUCTURAL CURB SIZE.
2. THE LOC SEAM ROOF IS TO BE INSTALLED AND SEAMED PRIOR TO THE ROOF CURB INSTALLATION.
3. CUT THE OPENING FOR THE FLOATING CURB IN THE ROOF PANELS. UNLESS NOTED OTHERWISE, ROUGH OPENING CUT-OUT SIZE EQUALS OVERALL OUTER FLOATING CURB LENGTH/WIDTH - 6".
- 3A. INSTALL BACKER CHANNELS UNDER EDGE OF ROOF PANEL (FIELD NOTCH AS REQUIRED BEFORE PLACING UNDER EDGE OF ROOF PANEL.) SEE CR33WAA AND OF34AA.
- 3B. INSTALL STRUCTURAL CURB AND ATTACH TO SUB FRAMING WITH #12X1 1/4 ROOF FASTENERS AT 6" O.C.
4. MARK THE PANEL CORRUGATION LOCATIONS ON THE UPSLOPE AND DOWNSLOPE CURB FLANGES OF THE FLOATING CURB AND NOTCH AS SHOWN ABOVE. (DO NOT OVERSIZE NOTCH.)
5. "DRY FIT" THE FLOATING CURB OVER THE OPENING AND MARK THE OUTER FLANGE LINE WITH A MARKER. REMOVE CURB.
6. APPLY THE TAPE MASTIC AS OUTLINED IN THE DETAILS.
7. PLACE THE FLOATING CURB OVER THE OPENING AND ATTACH WITH #12X1 1/4 ROOF FASTENERS IN THE PRE-DRILLED FLANGE HOLES. DO NOT INSTALL FASTENERS WITHIN 1 1/2" OF PANEL CORRUGATIONS. DO NOT ATTACH FLOATING CURB TO SUB FRAMING.
8. CAULK THE PANEL SEAMS AS SHOWN IN DETAIL "A".
9. CAULK THE FLANGE AND INSIDE FACES OF THE LOC SEAM RIB COVER WITH (2) 1/4"Ø BEADS OF URETHANE CAULK WITH HOLES OF RIB COVER LOCATED BETWEEN CAULKING BEADS. PLACE THE RIB COVER OVER PANEL ENDS AND ATTACH WITH THE ROOF FASTENERS AS SHOWN IN THE DETAILS.
10. TOOL ALL EXPOSED CAULKING TO ALLOW FOR PROPER DRAINAGE. REMOVE ALL METAL SHAVINGS FROM CURB AREA.

[Download the DWG file by clicking here.](#)

To Section Index

Revised 7/27/2017

Roof Curb Installation 2-Piece Curbs
Hi Rib (HR3) Insulated Roof Panels
CR01W/QA

INSULATED HIGH RIB (HR3) RIB COVER
(LOCATE AT EACH PANEL CORRUGATION)
(SEE NOTE E)

SAFETY PRECAUTION
WORKERS SHOULD MAINTAIN A CONSTANT AWARENESS OF THEIR LOCATION IN RELATION TO THE ROOF EDGE AND ANY ROOF OPENINGS AT ALL TIMES.

SEE FLANGE NOTCH DETAIL

UPSLOPE

10" 254

10" 254

DEBURR ALL FIELD CUT EDGES AT PANEL CORRUGATIONS

CR26W QA

DOWN-SLOPE

SEE NOTE B

SEE NOTE D

CR18W QA

SEE NOTE A

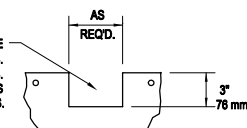
TAPE MASTIC 2 1/2" X 3/16" TM (CONTINUOUS) (SEE NOTE E)

CR21W QA

DETAIL "A"

STRUCTURAL CURB

FLOATING CURB



FIELD NOTCH UPSLOPE AND DOWNSLOPE FLANGES AT CORRUGATION LOCATIONS. DO NOT OVERSIZE NOTCHES. PROPER NOTCHING OF FLANGES IS CRITICAL TO WEATHERTIGHTNESS.

AS REQD.

3"

76 mm

FLANGE NOTCH DETAIL
(TYPICAL)

INSTALLATION PROCEDURES

1. INSTALL ROOF CURB SUB-FRAMING AT THE DESIRED LOCATION FOR STRUCTURAL CURB SIZE.
2. THE HIGH RIB ROOF IS TO BE INSTALLED AND FASTENED PRIOR TO THE ROOF CURB INSTALLATION.
3. CUT THE OPENING FOR THE CURB IN THE ROOF PANELS. UNLESS NOTED OTHERWISE, ROUGH OPENING CUT-OUT SIZE EQUALS INSIDE LENGTH/WIDTH OF STRUCTURAL CURB + 4".
- 3A. REMOVE HIGH RIB OF PANEL. CUT-OUT OF HIGH RIB IS TYPICALLY 13" FROM THE INSIDE EDGE OF PANEL FROM CURB OPENING.
- 3B. INSTALL BACKER CHANNELS UNDER EDGE OF ROOF PANEL. (FIELD NOTCH AS REQUIRED BEFORE PLACING UNDER EDGE OF ROOF PANEL.) SEE CR33RA AND OF34RA.
- 3C. INSTALL STRUCTURAL CURB AND ATTACH TO SUB FRAMING WITH #12X1 1/4 ROOF FASTENERS AT 6" O.C.
4. MARK THE PANEL CORRUGATION LOCATIONS ON THE UPSLOPE AND DOWNSLOPE CURB FLANGES OF THE FLOATING CURB AND NOTCH AS SHOWN ABOVE. (DO NOT OVERSIZE NOTCH.)
5. "DRY FIT" THE FLOATING CURB OVER THE OPENING AND MARK THE OUTER FLANGE LINE WITH A MARKER. REMOVE CURB.
6. APPLY THE TAPE MASTIC AS OUTLINED IN THE DETAILS.
7. PLACE THE FLOATING CURB OVER THE OPENING AND ATTACH WITH 1/4-14 (LONG) ROOF FASTENERS IN THE PRE-DRILLED FLANGE HOLES. DO NOT INSTALL FASTENERS WITHIN 1 1/2" OF PANEL CORRUGATIONS.
8. CAULK THE PANEL SEAMS AS SHOWN IN DETAIL "A".
9. CAULK THE FLANGE AND INSIDE FACES OF THE HIGH RIB COVER WITH (2) 1/4"Ø BEADS OF URETHANE CAULK WITH HOLES OF RIB COVER LOCATED BETWEEN CAULKING BEADS. PLACE THE RIB COVER OVER PANEL ENDS AND ATTACH WITH THE ROOF FASTENERS AS SHOWN IN THE DETAILS.
10. TOOL ALL EXPOSED CAULKING TO ALLOW FOR PROPER DRAINAGE. REMOVE ALL METAL SHAVINGS FROM CURB AREA.
11. REFER TO DETAIL CR32WAA FOR INSTALLATION OF FLASHING COLLAR.

NOTES:

- A. CUT (DO NOT TEAR) TAPE MASTIC AT A 45° ANGLE AT CORNERS.
- B. CUT (DO NOT TEAR) TAPE MASTIC AT PANEL CORRUGATIONS.
- C. DO NOT USE STANDING SEAM CAULK (SSCK-1) IN LIEU OF URETHANE CAULK (GT8).
- D. ROOF CURB SUB-FRAMING AND INSULATION OMITTED FOR CLARITY.
- E. INDICATED CAULK, MASTIC, RIB COVERS AND FASTENERS ARE PRE-PACKAGED WITH THE ROOF CURBS.
- F. AIR CONDITIONER DRAINS SHOULD BE FABRICATED FROM PLASTIC PIPE OF SUITABLE DIAMETER AND EXTENDED AT LEAST TO THE RAIN GUTTER, AND PREFERABLY WELL PAST THE GUTTER. DRAIN WATER FROM AIR CONDITIONERS CONTAINS DISSOLVED COPPER FROM THE CONDENSATION COILS THAT CAN CAUSE RUSTING OF ALUMINUM COATED SHEET PANELS IN A VERY SHORT TIME.
- G. WHEN FIELD CUTTING PANELS OR TRIM DO NOT USE ABRASIVE SAWS OR OTHER CUTTING METHODS WHICH PRODUCE HOT METAL PARTICLES AND/OR BURN THE CUT EDGES. THESE METHODS WILL DAMAGE THE PAINTED AND ALUMINUM COATED FINISH AND VOID ANY WARRANTIES. USE DOUBLE CUT SHEARS, NIBBLERS OR OTHER CUTTING DEVICES WHICH DO NOT PRODUCE HOT METAL PARTICLES OR BURNED EDGES.

ROOF CURB INSTALLATION 2-PIECE CURBS
HIGH RIB (HR3) INSULATED ROOF PANELS

CR01W
QA

[Download the DWG file by clicking here.](#)

Roof Curb Installation 2-Piece Curbs
Standing Seam (SR2) Insulated Roof Panels
CR01W/RA

STANDING SEAM RIB COVER
(LOCATE AT EACH PANEL CORRUGATION)
(SEE NOTE E)

SAFETY PRECAUTION
WORKERS SHOULD MAINTAIN A CONSTANT AWARENESS OF THEIR LOCATION IN RELATION TO THE ROOF EDGE AND ANY ROOF OPENINGS AT ALL TIMES.

10"

10"

DEBURR ALL FIELD CUT EDGES AT PANEL CORRUGATIONS

CR26W RA

CR21W RA

NOTES:

- CUT (DO NOT TEAR) TAPE MASTIC AT A 45° ANGLE AT CORNERS.
- CUT (DO NOT TEAR) TAPE MASTIC AT PANEL CORRUGATIONS.
- DO NOT USE STANDING SEAM CAULK (SSCK-1) IN LIEU OF URETHANE CAULK (GTS).
- ROOF CURB SUB-FRAMING AND INSULATION OMITTED FOR CLARITY.
- INDICATED CAULK, MASTIC, RIB COVERS AND FASTENERS ARE PRE-PACKAGED WITH THE ROOF CURBS.
- AIR CONDITIONER DRAINS SHOULD BE FABRICATED FROM PLASTIC PIPE OF SUITABLE DIAMETER AND EXTENDED AT LEAST TO THE RAIN GUTTER, AND PREFERABLY WELL PAST THE GUTTER. DRAIN WATER FROM AIR CONDITIONERS CONTAINS DISSOLVED COPPER FROM THE CONDENSATION COILS THAT CAN CAUSE RUSTING OF ALUMINUM COATED SHEET PANELS IN A VERY SHORT TIME.
- WHEN FIELD CUTTING PANELS OR TRIM DO NOT USE ABRASIVE SAWS OR OTHER CUTTING METHODS WHICH PRODUCE HOT METAL PARTICLES AND/OR BURN THE CUT EDGES. THESE METHODS WILL DAMAGE THE PAINTED AND ALUMINUM COATED FINISH AND VOID ANY WARRANTIES. USE DOUBLE CUT SHEARS, NIBBLERS OR OTHER CUTTING DEVICES WHICH DO NOT PRODUCE HOT METAL PARTICLES OR BURNED EDGES.

SEE FLANGE NOTCH DETAIL

UPSLOPE

FIELD NOTCH UPSLOPE AND DOWNSLOPE FLANGES AT CORRUGATION LOCATIONS. DO NOT OVERSIZE NOTCHES. PROPER NOTCHING OF FLANGES IS CRITICAL TO WEATHERTIGHTNESS.

AS REQD.

3"

FLANGE NOTCH DETAIL (TYPICAL)

INSTALLATION PROCEDURES

- INSTALL ROOF CURB SUB-FRAMING AT THE DESIRED LOCATION FOR STRUCTURAL CURB SIZE.
- THE STANDING SEAM ROOF IS TO BE INSTALLED AND SEALED PRIOR TO THE ROOF CURB INSTALLATION.
- CUT THE OPENING FOR THE CURB IN THE ROOF PANELS. UNLESS NOTED OTHERWISE, ROUGH OPENING CUT-OUT SIZE EQUALS INSIDE LENGTH/WIDTH OF STRUCTURAL CURB + 4".
- REMOVE HIGH RIB OF PANEL. CUT-OUT OF HIGH RIB IS TYPICALLY 13" FROM THE INSIDE EDGE OF PANEL FROM CURB OPENING.
- INSTALL BACKER CHANNELS UNDER EDGE OF ROOF PANEL. (FIELD NOTCH AS REQUIRED BEFORE PLACING UNDER EDGE OF ROOF PANEL.) SEE CR33RA AND OF34RA.
- INSTALL STRUCTURAL CURB AND ATTACH TO SUB FRAMING WITH #12X1 1/4 ROOF FASTENERS AT 6" O.C..
- MARK THE PANEL CORRUGATION LOCATIONS ON THE UPSLOPE AND DOWNSLOPE CURB FLANGES OF THE FLOATING CURB AND NOTCH AS SHOWN ABOVE. (DO NOT OVERSIZE NOTCH.)
- "DRY FIT" THE FLOATING CURB OVER THE OPENING AND MARK THE OUTER FLANGE LINE WITH A MARKER. REMOVE CURB.
- APPLY THE TAPE MASTIC AS OUTLINED IN THE DETAILS.
- PLACE THE FLOATING CURB OVER THE OPENING AND ATTACH WITH 1/4-14 (LONG) ROOF FASTENERS IN THE PRE-DRILLED FLANGE HOLES. DO NOT INSTALL FASTENERS WITHIN 1 1/2" OF PANEL CORRUGATIONS.
- CAULK THE PANEL SEAMS AS SHOWN IN DETAIL "A".
- CAULK THE FLANGE AND INSIDE FACES OF THE STANDING SEAM RIB COVER WITH (2) 1/4"Ø BEADS OF URETHANE CAULK WITH HOLES OF RIB COVER LOCATED BETWEEN CAULKING BEADS. PLACE THE RIB COVER OVER PANEL ENDS AND ATTACH WITH THE ROOF FASTENERS AS SHOWN IN THE DETAILS.
- TOOL ALL EXPOSED CAULKING TO ALLOW FOR PROPER DRAINAGE. REMOVE ALL METAL SHAVINGS FROM CURB AREA.
- REFER TO DETAIL CR32WAA FOR INSTALLATION OF FLASHING COLLAR.

DETAIL "A"

CR16W RA

SEE NOTE A

TAPE MASTIC 2 1/2" X 3 1/8" TM (CONTINUOUS) (SEE NOTE E)

(SEE NOTE D)

UPSLOPE

DOWNSLOPE

URETHANE CAULK GTS
FILL PANEL END (SEE NOTES C AND E)

VIEW "A"

STANDING SEAM (SR2) INSULATED PANEL

2" MIN.

ROOF CURB FLANGE EDGE

STANDING SEAM PANEL

VIEW "A"

URETHANE CAULK GTS (SEE NOTES C AND E)

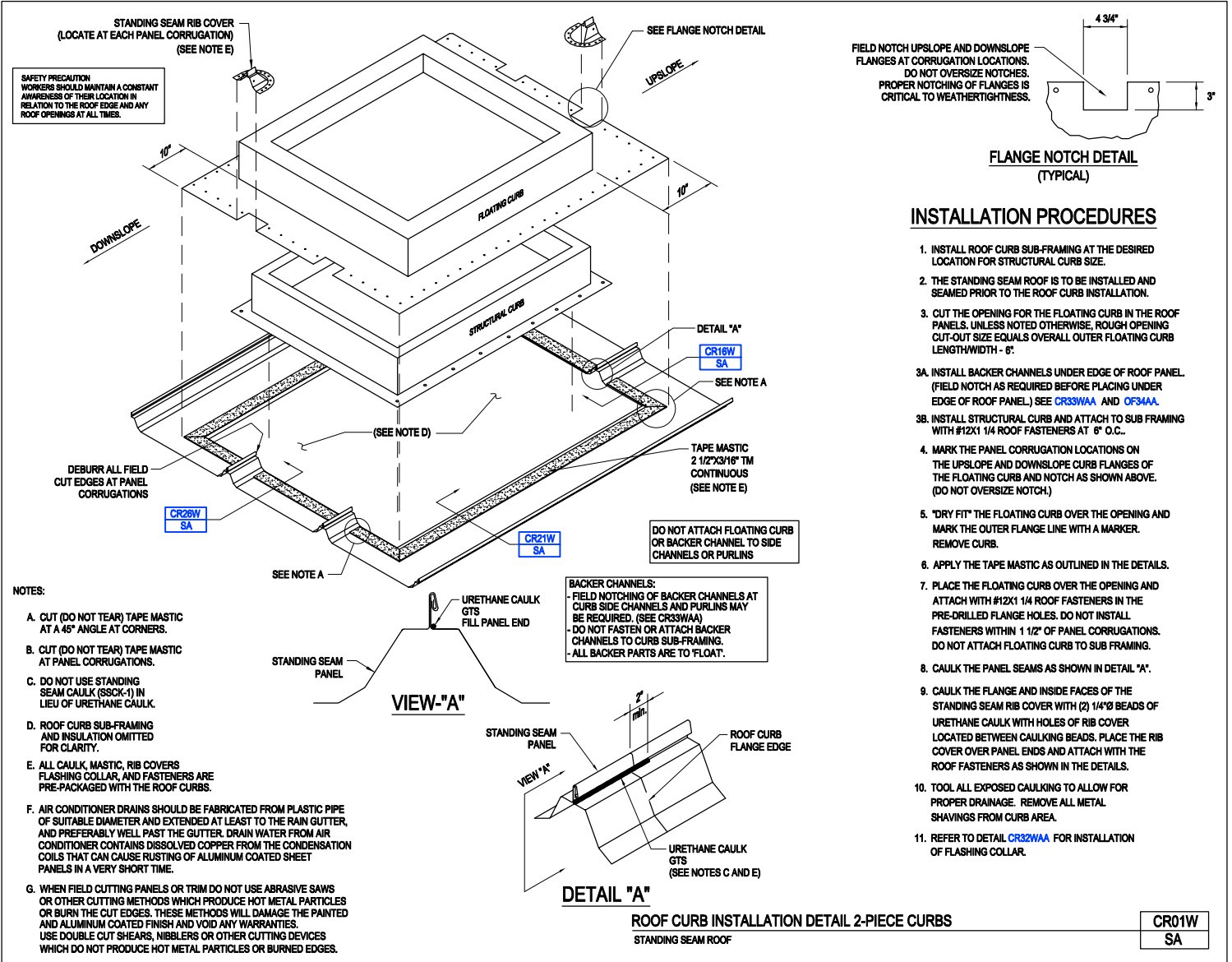
DETAIL "A"

ROOF CURB INSTALLATION 2-PIECE CURBS
STANDING SEAM (SR2) INSULATED ROOF PANELS

**CR01W
RA**

[Download the DWG file by clicking here.](#)

Roof Curb Installation Detail 2- Piece Curbs
Standing Seam Roof
CR01W/SA



SAFETY PRECAUTION
WORKERS SHOULD MAINTAIN A CONSTANT AWARENESS OF THEIR LOCATION IN RELATION TO THE ROOF EDGE AND ANY ROOF OPENINGS AT ALL TIMES.

STANDING SEAM RIB COVER (LOCATE AT EACH PANEL CORRUGATION) (SEE NOTE E)

SEE FLANGE NOTCH DETAIL

UPSLOPE

10"

DOWNSLOPE

10"

CR16W SA

SEE NOTE A

(SEE NOTE D)

CR20W SA

CR21W SA

SEE NOTE A

DO NOT ATTACH FLOATING CURB OR BACKER CHANNEL TO SIDE CHANNELS OR PURLINS

URETHANE CAULK GTS FILL PANEL END

VIEW-"A"

STANDING SEAM PANEL

STANDING SEAM PANEL

VIEW-"A"

ROOF CURB FLANGE EDGE

URETHANE CAULK GTS (SEE NOTES C AND E)

DETAIL "A"

ROOF CURB INSTALLATION DETAIL 2-PIECE CURBS
STANDING SEAM ROOF

FIELD NOTCH UPSLOPE AND DOWNSLOPE FLANGES AT CORRUGATION LOCATIONS. DO NOT OVERSIZE NOTCHES. PROPER NOTCHING OF FLANGES IS CRITICAL TO WEATHERTIGHTNESS.

4 3/4"

3"

FLANGE NOTCH DETAIL (TYPICAL)

INSTALLATION PROCEDURES

1. INSTALL ROOF CURB SUB-FRAMING AT THE DESIRED LOCATION FOR STRUCTURAL CURB SIZE.
2. THE STANDING SEAM ROOF IS TO BE INSTALLED AND SEALED PRIOR TO THE ROOF CURB INSTALLATION.
3. CUT THE OPENING FOR THE FLOATING CURB IN THE ROOF PANELS. UNLESS NOTED OTHERWISE, ROUGH OPENING CUT-OUT SIZE EQUALS OVERALL OUTER FLOATING CURB LENGTH/WIDTH - 6".
- 3A. INSTALL BACKER CHANNELS UNDER EDGE OF ROOF PANEL (FIELD NOTCH AS REQUIRED BEFORE PLACING UNDER EDGE OF ROOF PANEL.) SEE CR33WAA AND OF34AA.
- 3B. INSTALL STRUCTURAL CURB AND ATTACH TO SUB FRAMING WITH #12X1 1/4 ROOF FASTENERS AT 6" O.C.
4. MARK THE PANEL CORRUGATION LOCATIONS ON THE UPSLOPE AND DOWNSLOPE CURB FLANGES OF THE FLOATING CURB AND NOTCH AS SHOWN ABOVE. (DO NOT OVERSIZE NOTCH.)
5. "DRY FIT" THE FLOATING CURB OVER THE OPENING AND MARK THE OUTER FLANGE LINE WITH A MARKER. REMOVE CURB.
6. APPLY THE TAPE MASTIC AS OUTLINED IN THE DETAILS.
7. PLACE THE FLOATING CURB OVER THE OPENING AND ATTACH WITH #12X1 1/4 ROOF FASTENERS IN THE PRE-DRILLED FLANGE HOLES. DO NOT INSTALL FASTENERS WITHIN 1 1/2" OF PANEL CORRUGATIONS. DO NOT ATTACH FLOATING CURB TO SUB FRAMING.
8. CAULK THE PANEL SEAMS AS SHOWN IN DETAIL "A".
9. CAULK THE FLANGE AND INSIDE FACES OF THE STANDING SEAM RIB COVER WITH (2) 1/4" BEADS OF URETHANE CAULK WITH HOLES OF RIB COVER LOCATED BETWEEN CAULKING BEADS. PLACE THE RIB COVER OVER PANEL ENDS AND ATTACH WITH THE ROOF FASTENERS AS SHOWN IN THE DETAILS.
10. TOOL ALL EXPOSED CAULKING TO ALLOW FOR PROPER DRAINAGE. REMOVE ALL METAL SHAVINGS FROM CURB AREA.
11. REFER TO DETAIL CR32WAA FOR INSTALLATION OF FLASHING COLLAR.

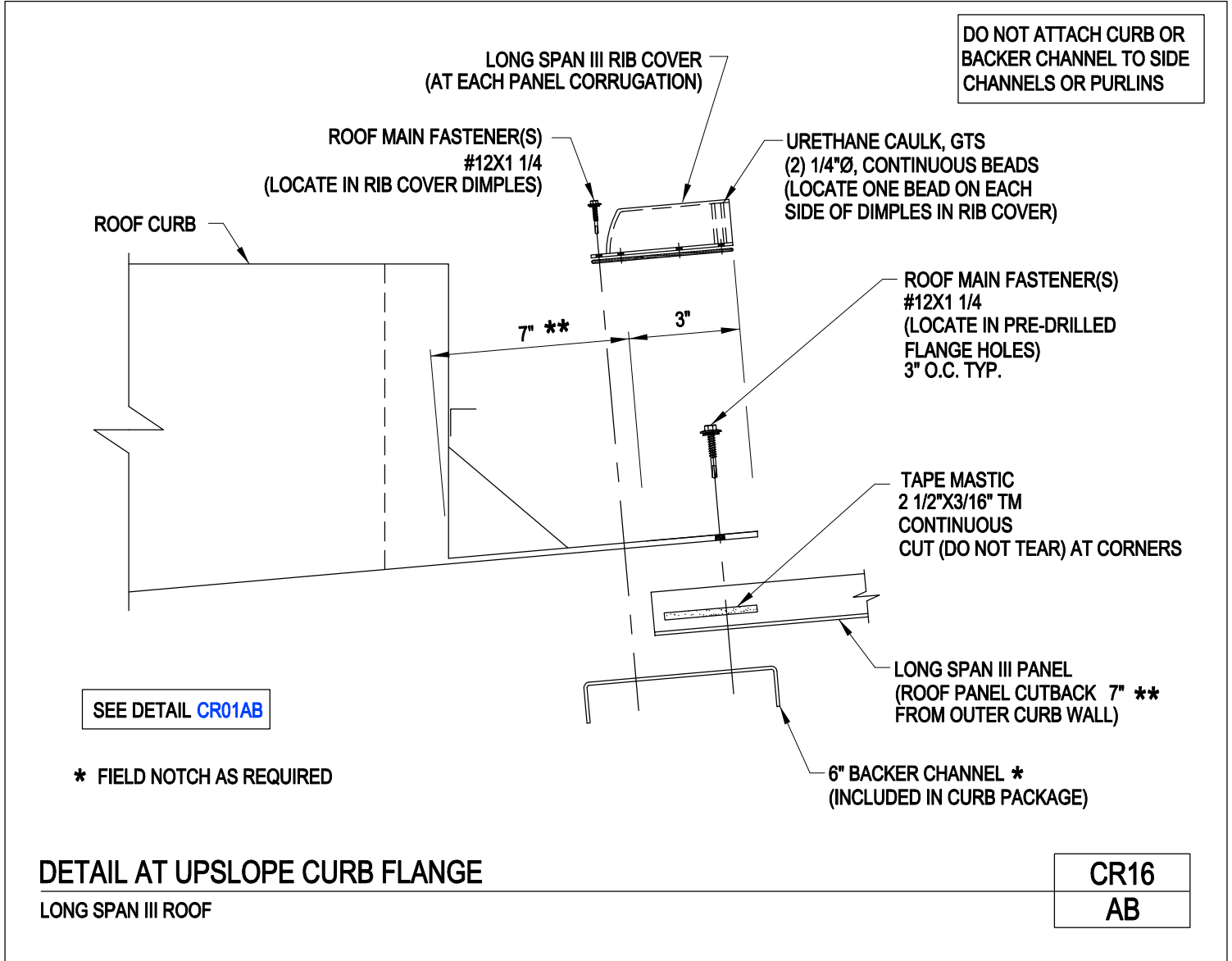
NOTES:

- A. CUT (DO NOT TEAR) TAPE MASTIC AT A 45° ANGLE AT CORNERS.
- B. CUT (DO NOT TEAR) TAPE MASTIC AT PANEL CORRUGATIONS.
- C. DO NOT USE STANDING SEAM CAULK (SSCK-1) IN LIEU OF URETHANE CAULK.
- D. ROOF CURB SUB-FRAMING AND INSULATION OMITTED FOR CLARITY.
- E. ALL CAULK, MASTIC, RIB COVERS FLASHING COLLAR, AND FASTENERS ARE PRE-PACKAGED WITH THE ROOF CURBS.
- F. AIR CONDITIONER DRAINS SHOULD BE FABRICATED FROM PLASTIC PIPE OF SUITABLE DIAMETER AND EXTENDED AT LEAST TO THE RAIN GUTTER, AND PREFERABLY WELL PAST THE GUTTER. DRAIN WATER FROM AIR CONDITIONER CONTAINS DISSOLVED COPPER FROM THE CONDENSATION COILS THAT CAN CAUSE RUSTING OF ALUMINUM COATED SHEET PANELS IN A VERY SHORT TIME.
- G. WHEN FIELD CUTTING PANELS OR TRIM DO NOT USE ABRASIVE SAWS OR OTHER CUTTING METHODS WHICH PRODUCE HOT METAL PARTICLES OR BURN THE CUT EDGES. THESE METHODS WILL DAMAGE THE PAINTED AND ALUMINUM COATED FINISH AND VOID ANY WARRANTIES. USE DOUBLE CUT SHEARS, NIBBLERS OR OTHER CUTTING DEVICES WHICH DO NOT PRODUCE HOT METAL PARTICLES OR BURNED EDGES.

BACKER CHANNELS:
- FIELD NOTCHING OF BACKER CHANNELS AT CURB SIDE CHANNELS AND PURLINS MAY BE REQUIRED. (SEE CR33WAA)
- DO NOT FASTEN OR ATTACH BACKER CHANNELS TO CURB SUB-FRAMING.
- ALL BACKER PARTS ARE TO "FLOAT".

[Download the DWG file by clicking here.](#)

Detail at Upslope Curb Flange
 Longspan III
 CR16/AB



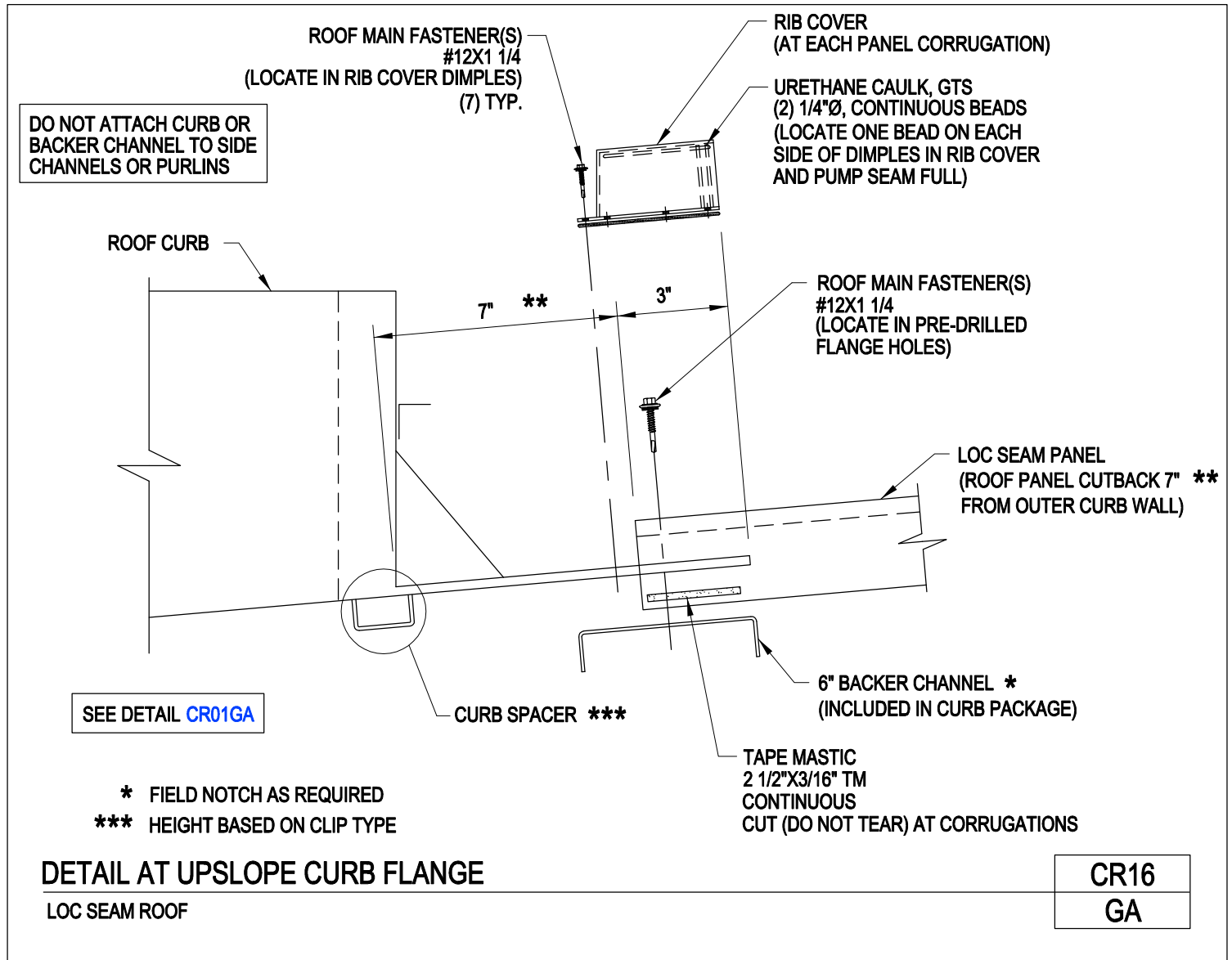
[Download the DWG file by clicking here.](#)

[To Section Index](#)

Detail at Upslope Curb Flange

Loc Seam Panel

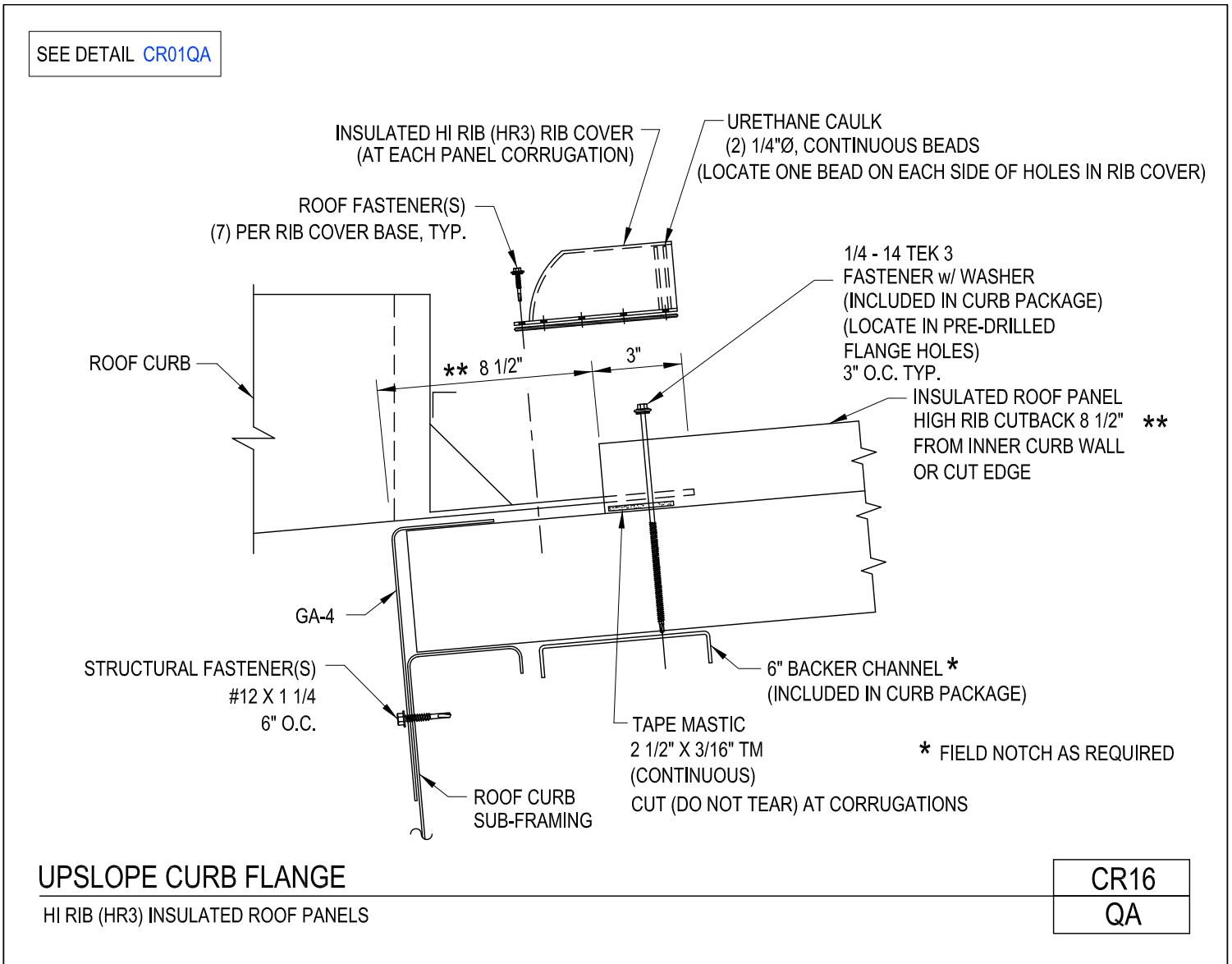
CR16/GA



[Download the DWG file by clicking here.](#)

[To Section Index](#)

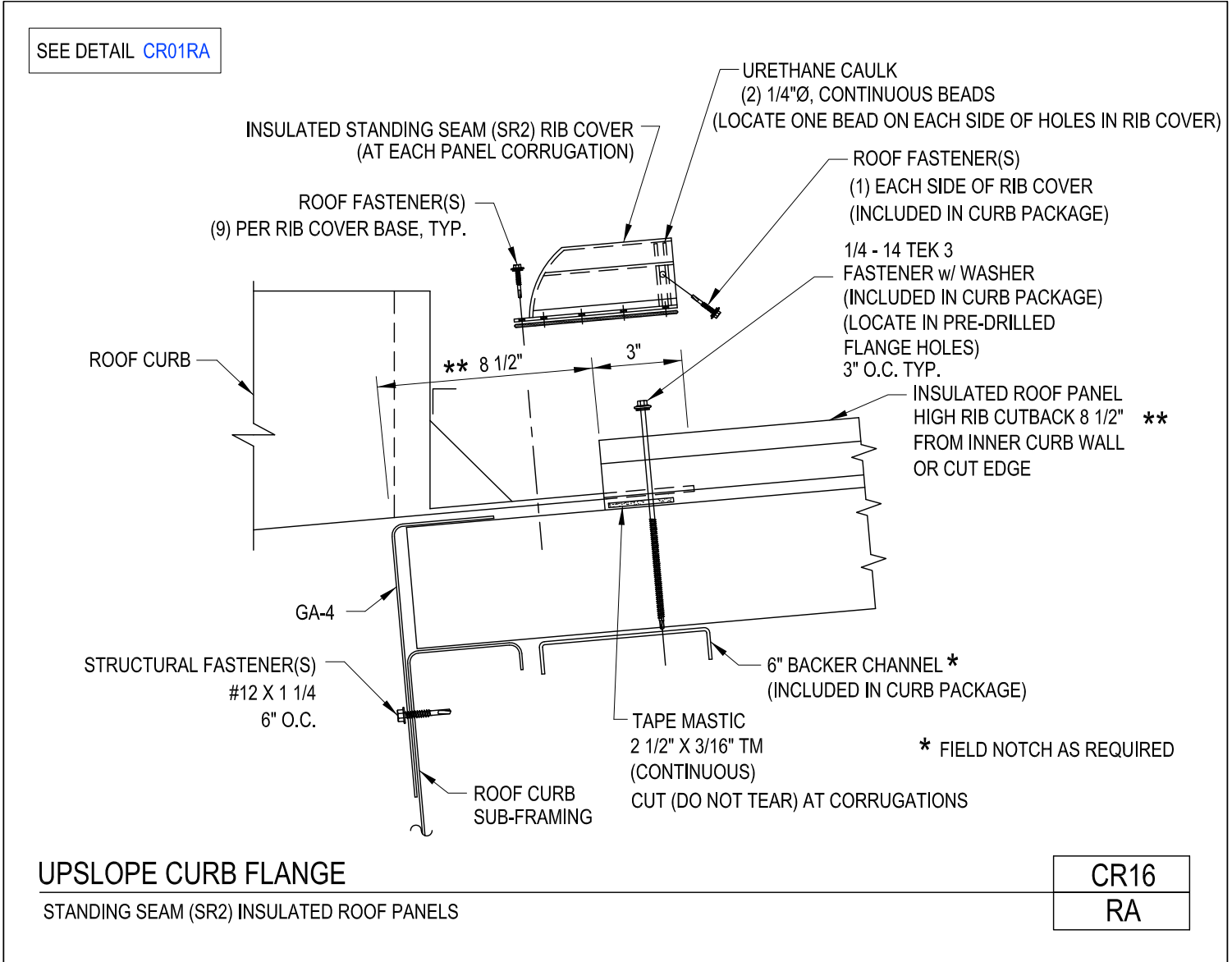
Upslope Curb Flange
Hi Rib (HR3) Insulated Roof Panels
CR16/QA



[Download the DWG file by clicking here.](#)

[To Section Index](#)

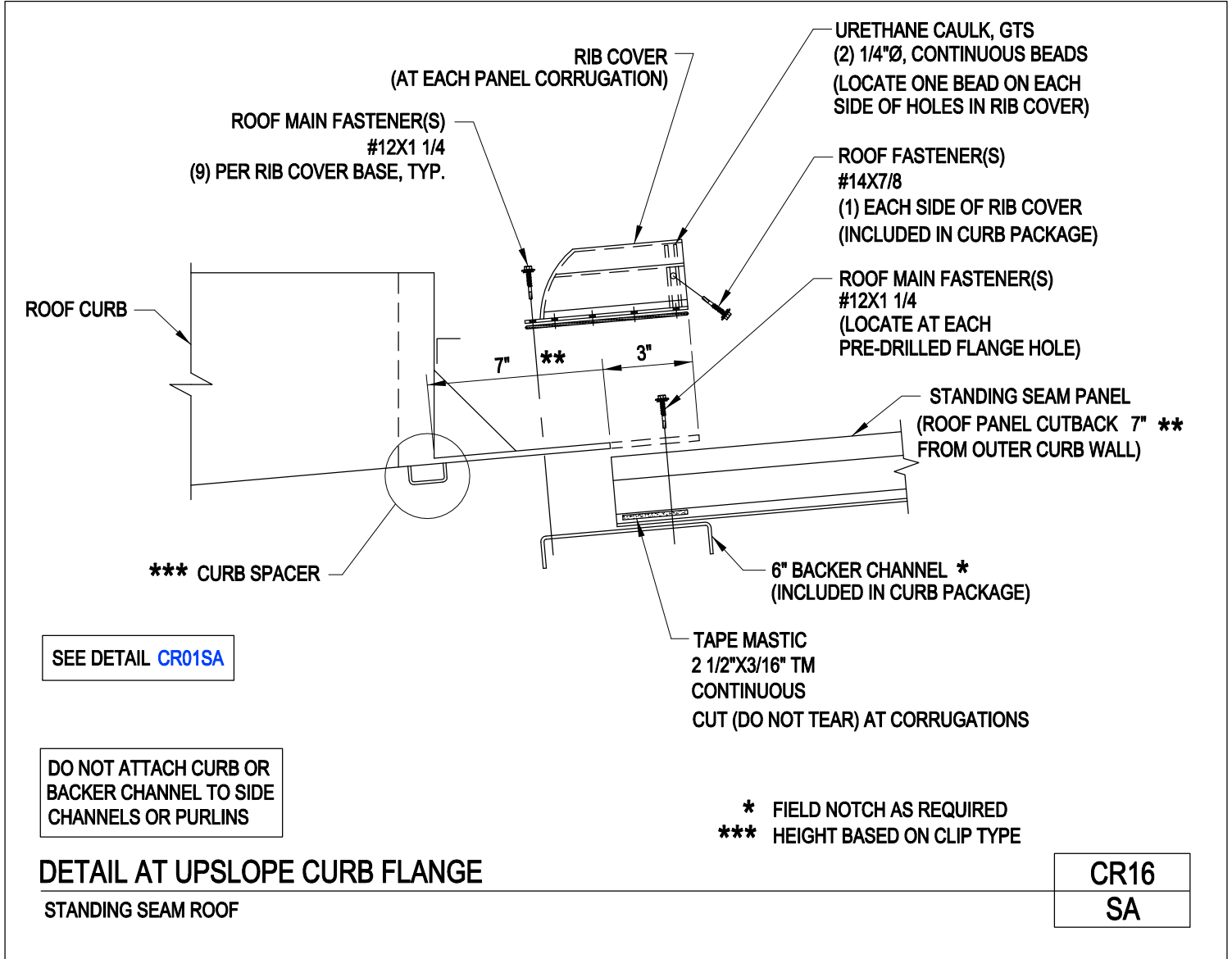
Upslope Curb Flange
Standing Seam (SR2) Insulated Roof Panels
CR16/RA



[Download the DWG file by clicking here.](#)

[To Section Index](#)

Detail at Upslope Curb Flange
Standing Seam Roof
CR16/SA



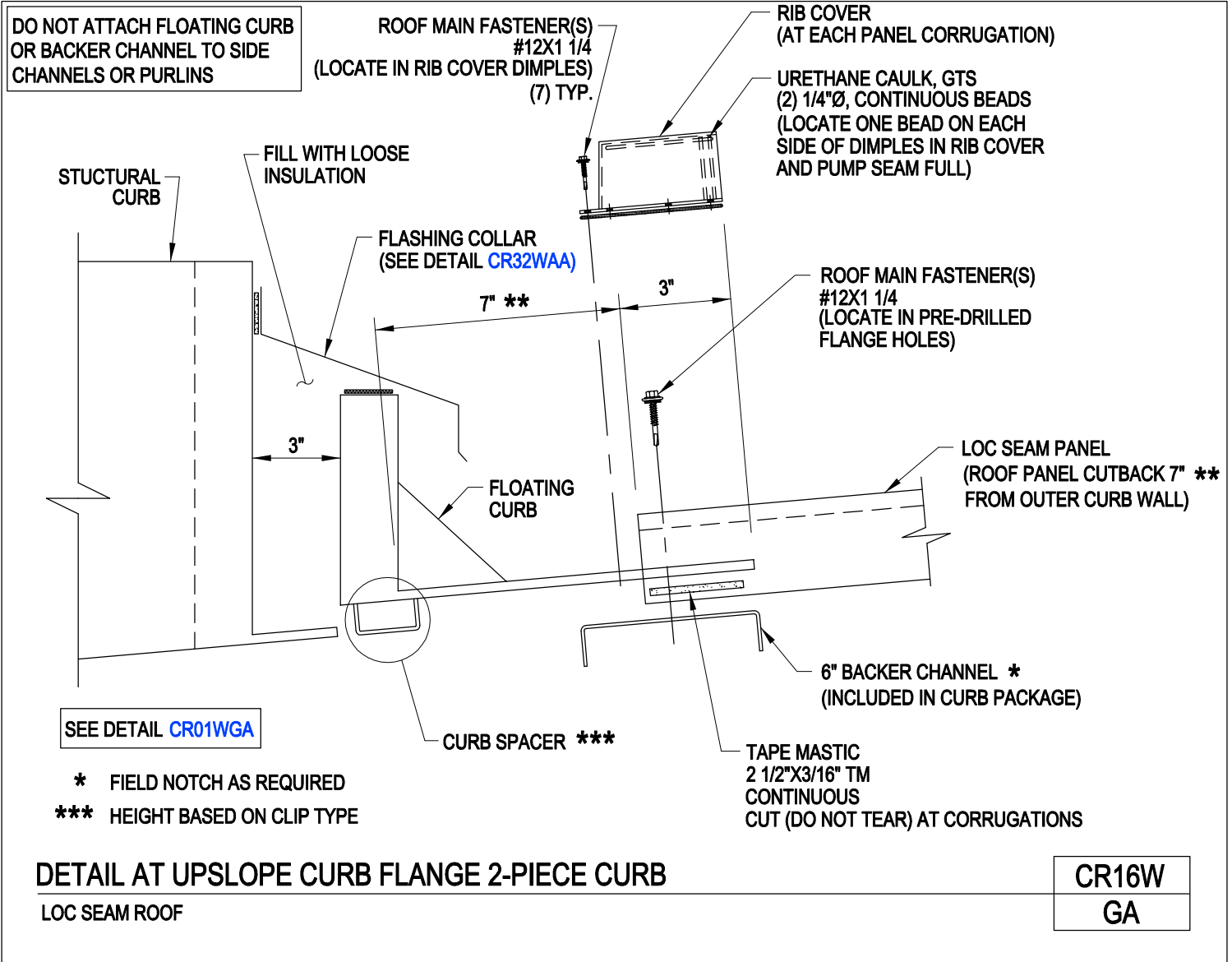
[Download the DWG file by clicking here.](#)

[To Section Index](#)

Detail at Upslope Curb Flange 2-Piece Curb

Loc Seam Panel

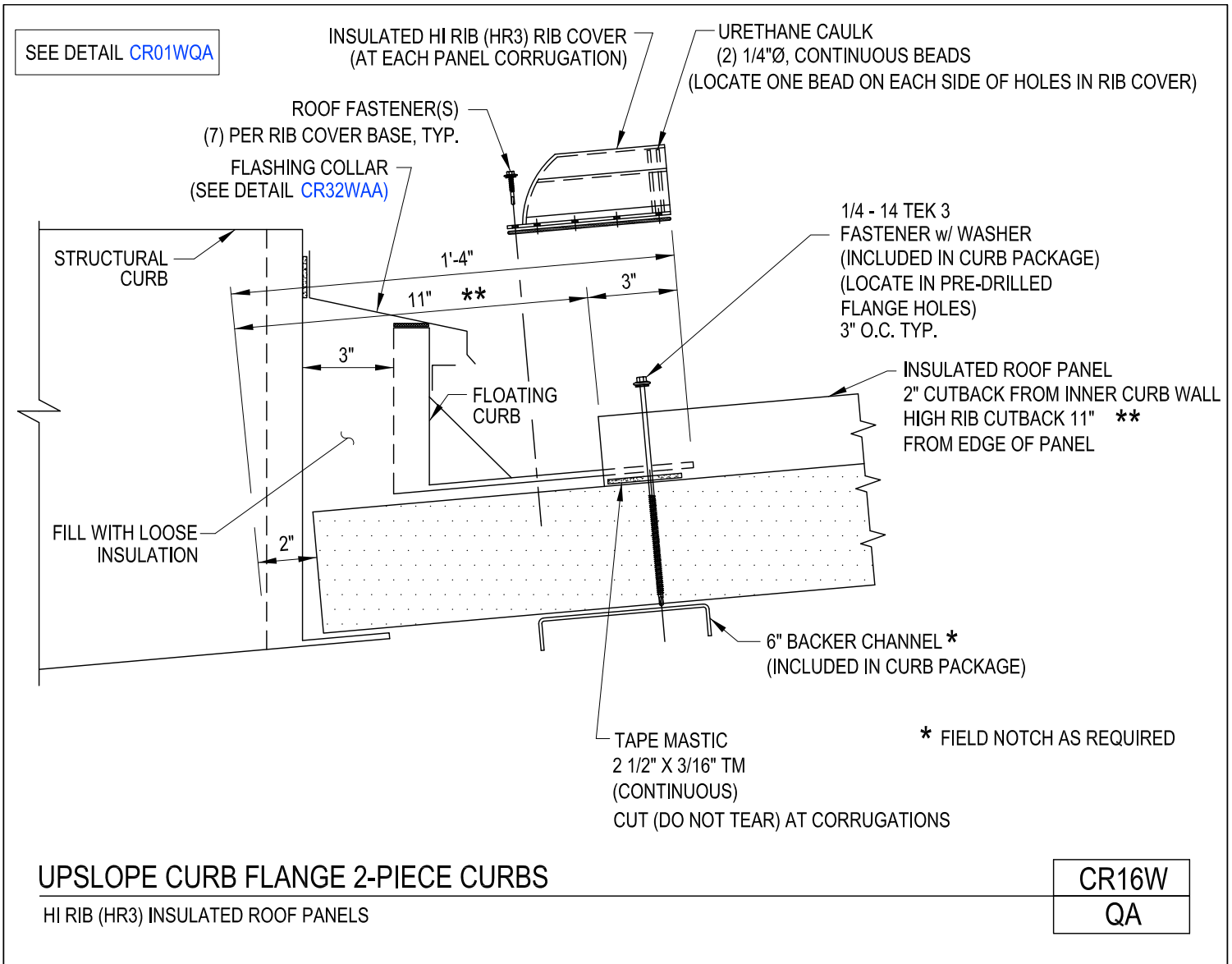
CR16W/GA



[Download the DWG file by clicking here.](#)

[To Section Index](#)

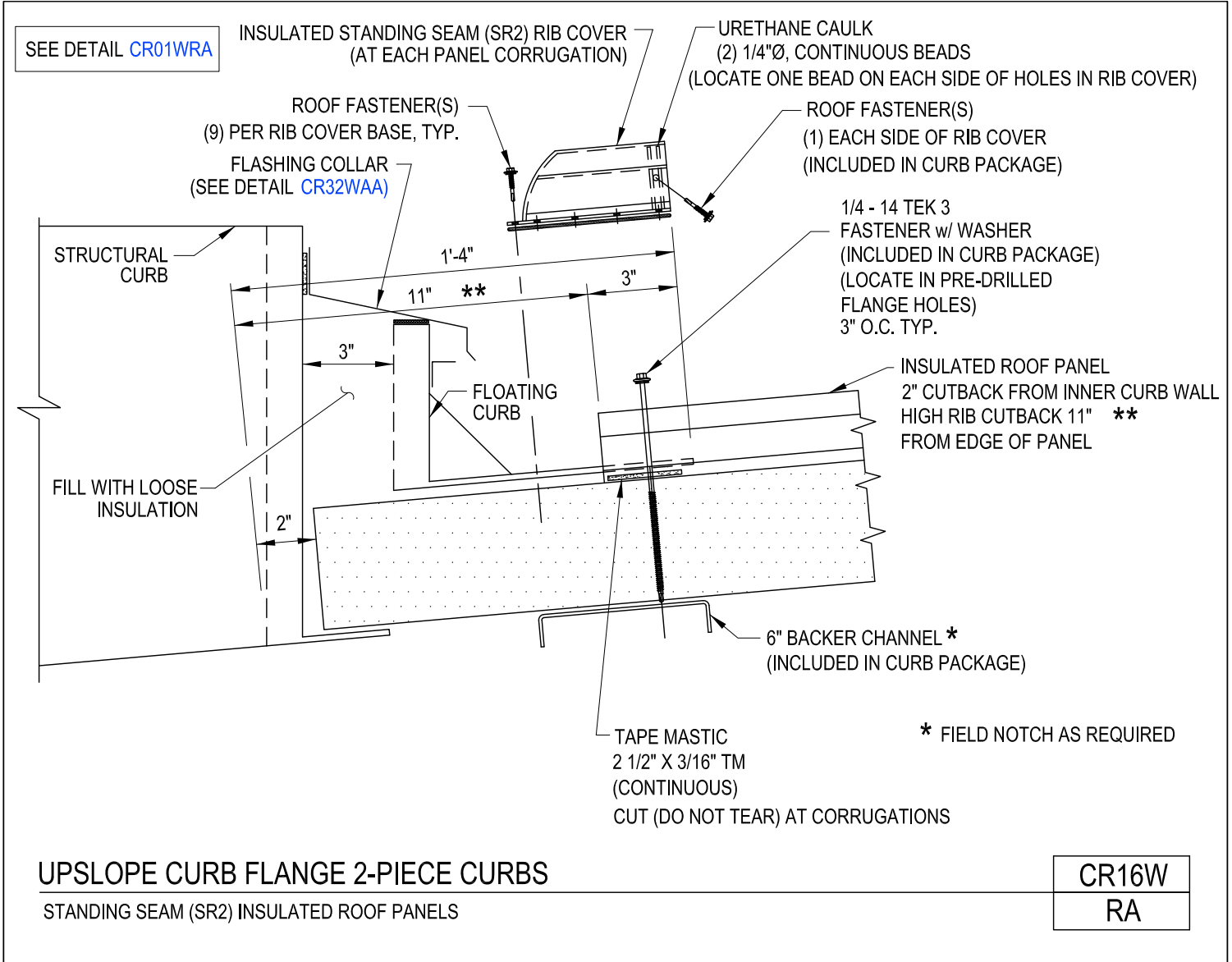
Upslope Curb Flange 2-Piece Curbs
 Hi Rib (HR3) Insulated Roof Panels
 CR16W/QA



[Download the DWG file by clicking here.](#)

[To Section Index](#)

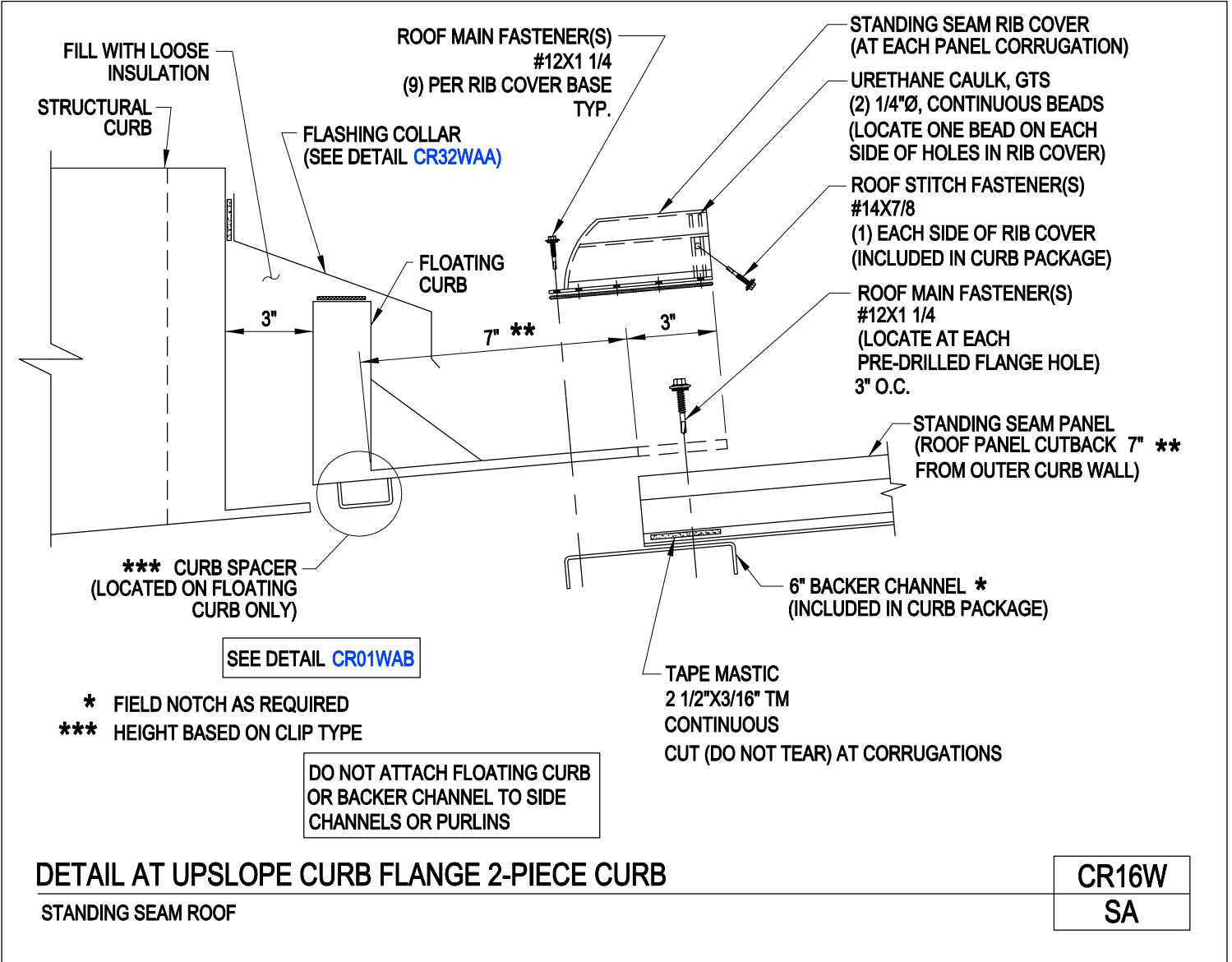
Upslope Curb Flange 2-Piece Curbs
 Standing Seam (SR2) Insulated Roof Panels
 CR16W/RA



[Download the DWG file by clicking here.](#)

[To Section Index](#)

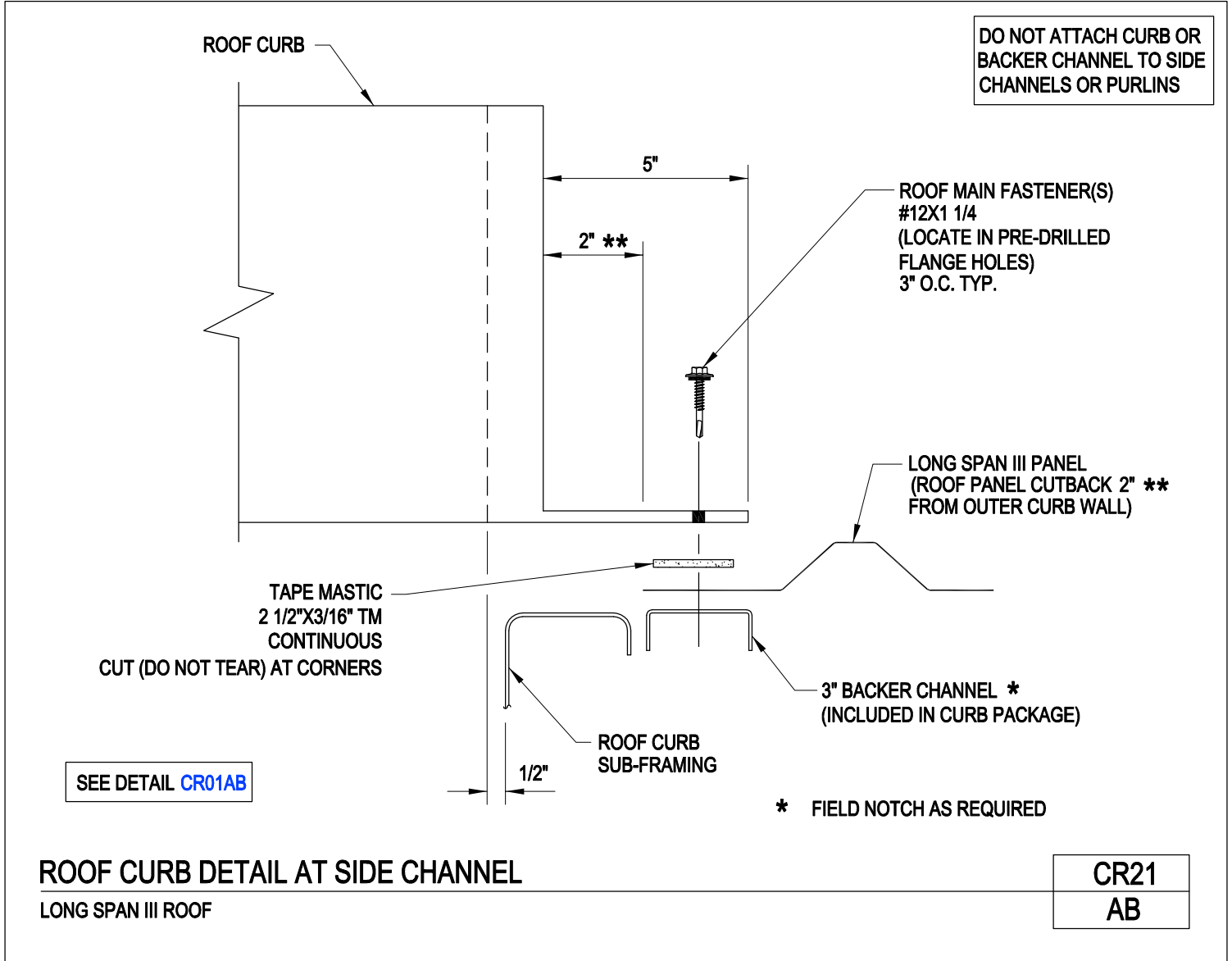
Detail at Upslope Curb Flange 2-Piece Curb
 Standing Seam Roof
 CR16W/SA



[Download the DWG file by clicking here.](#)

[To Section Index](#)

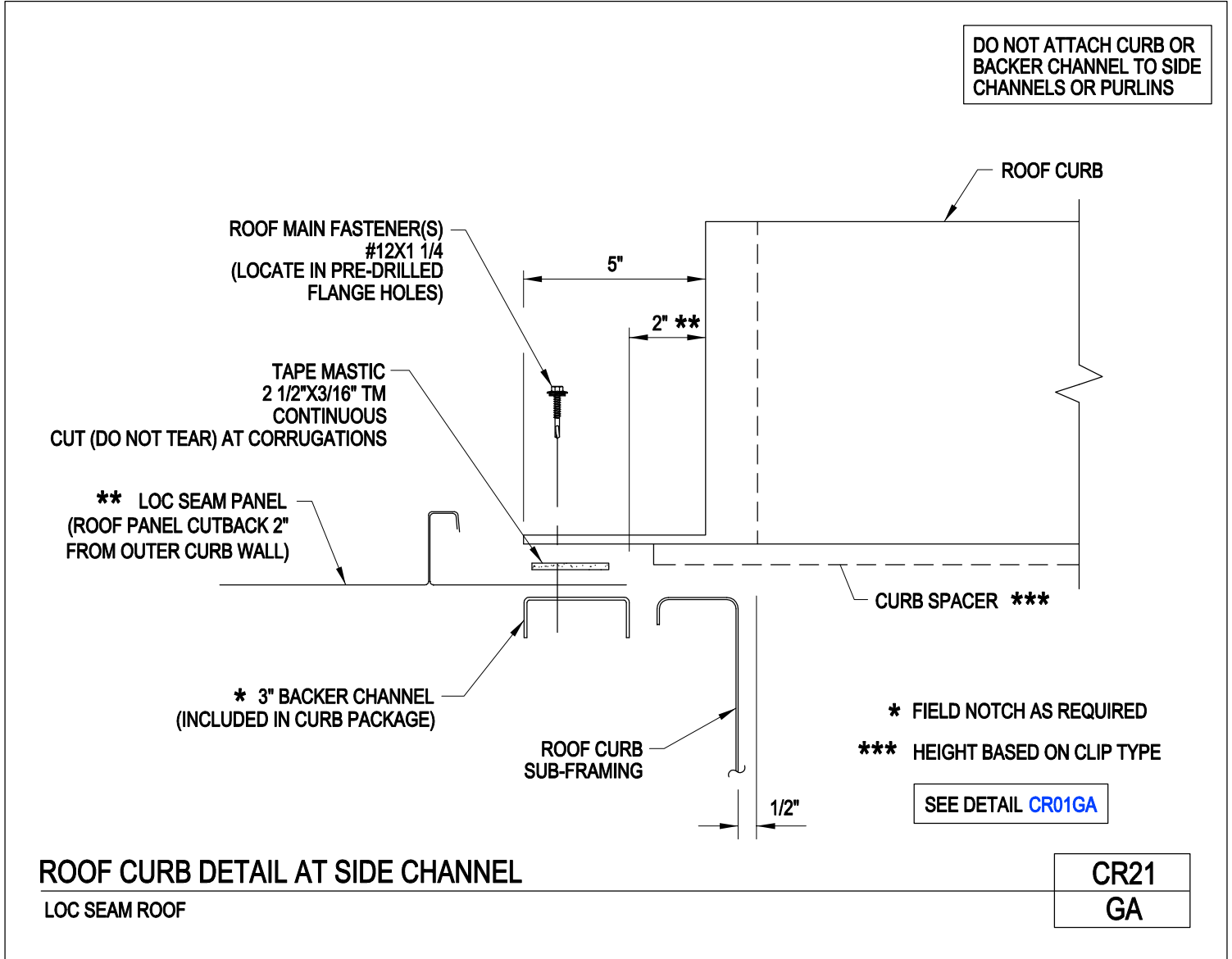
Roof Curb Detail at Side Channel
 Longspan III
 CR21/AB



[Download the DWG file by clicking here.](#)

[To Section Index](#)

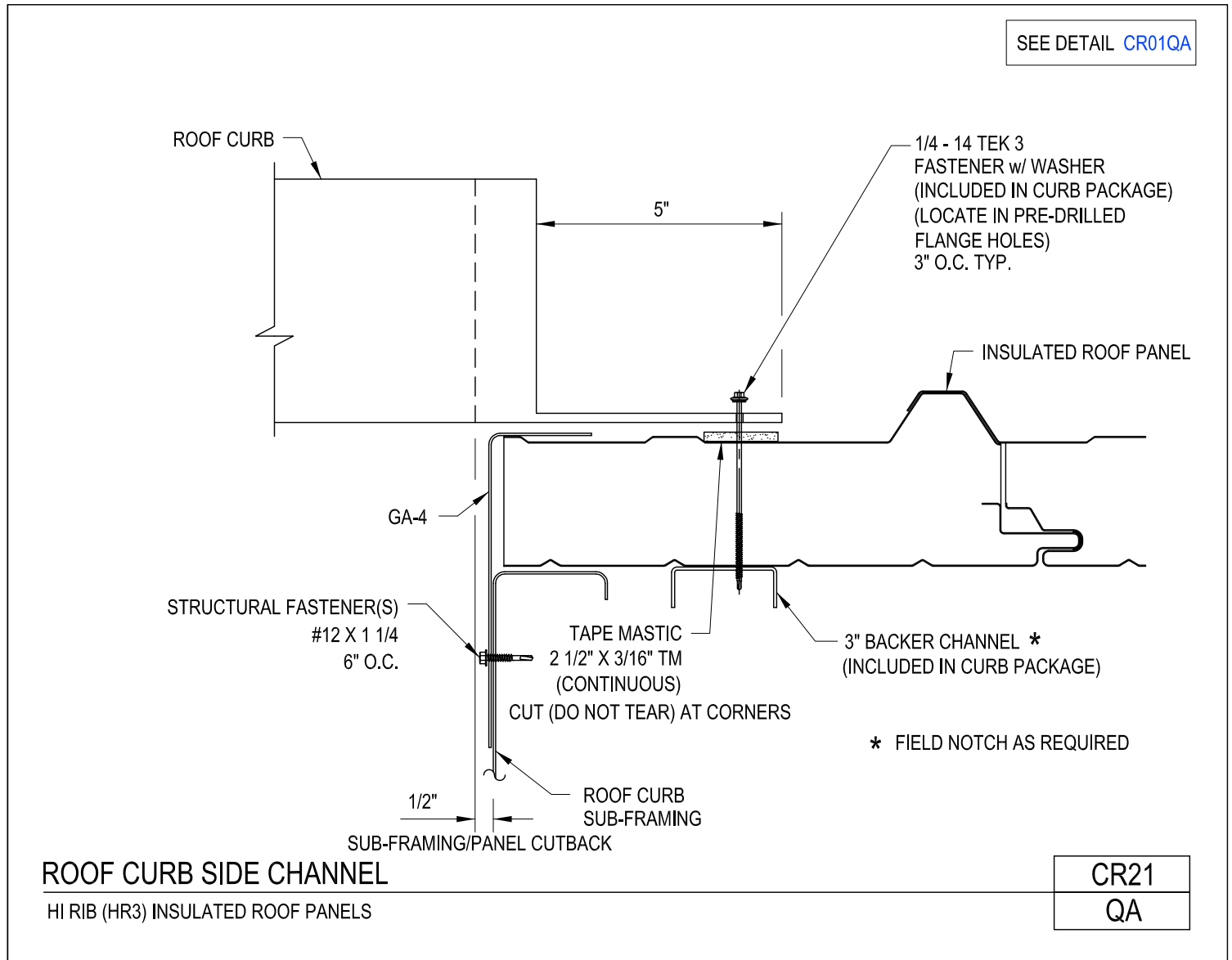
Roof Curb Detail at Side Channel
 Loc Seam Panel
 CR21/GA



[Download the DWG file by clicking here.](#)

[To Section Index](#)

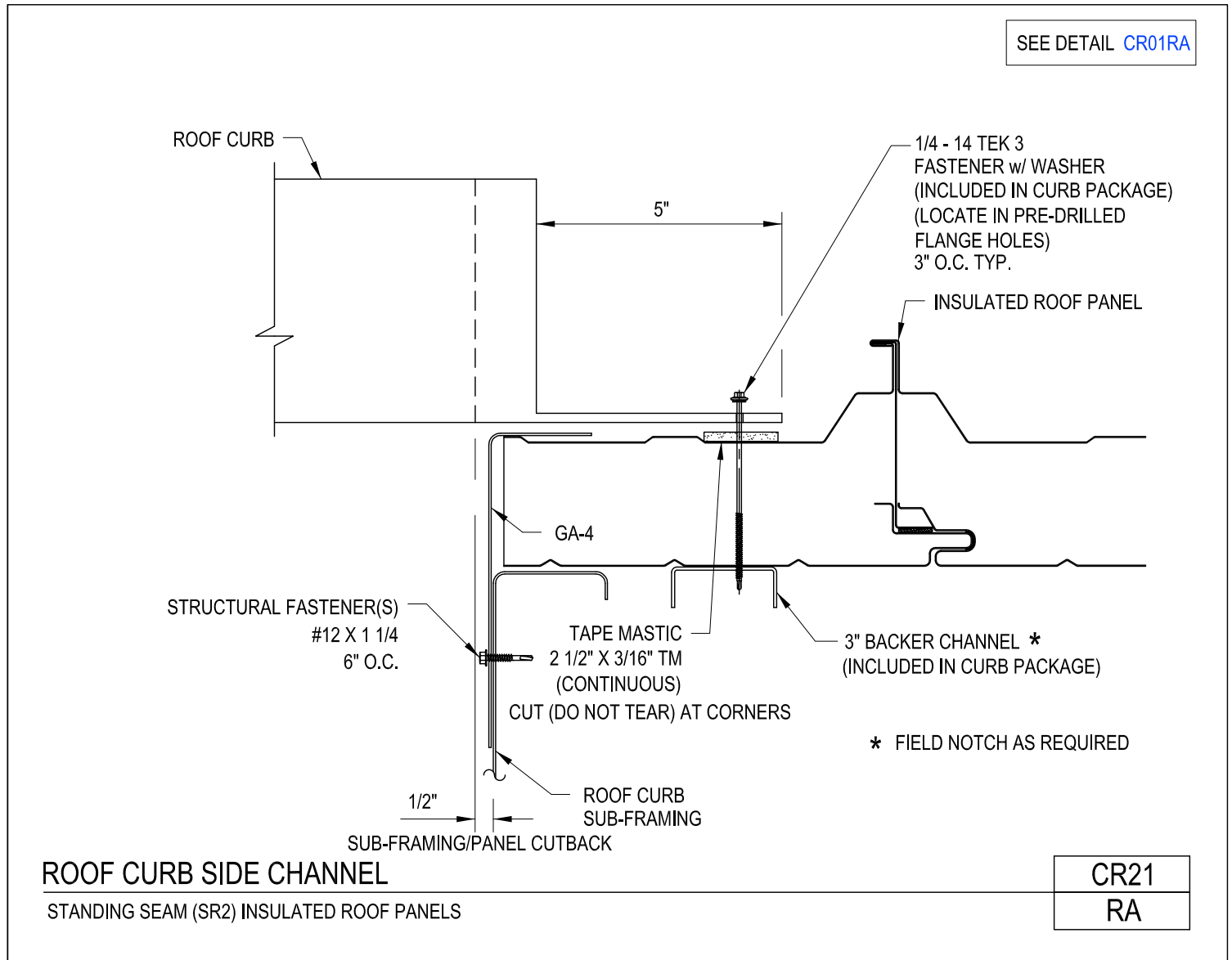
Roof Curb Side Channel
Hi Rib (HR3) Insulated Roof Panels
CR21/QA



[Download the DWG file by clicking here.](#)

[To Section Index](#)

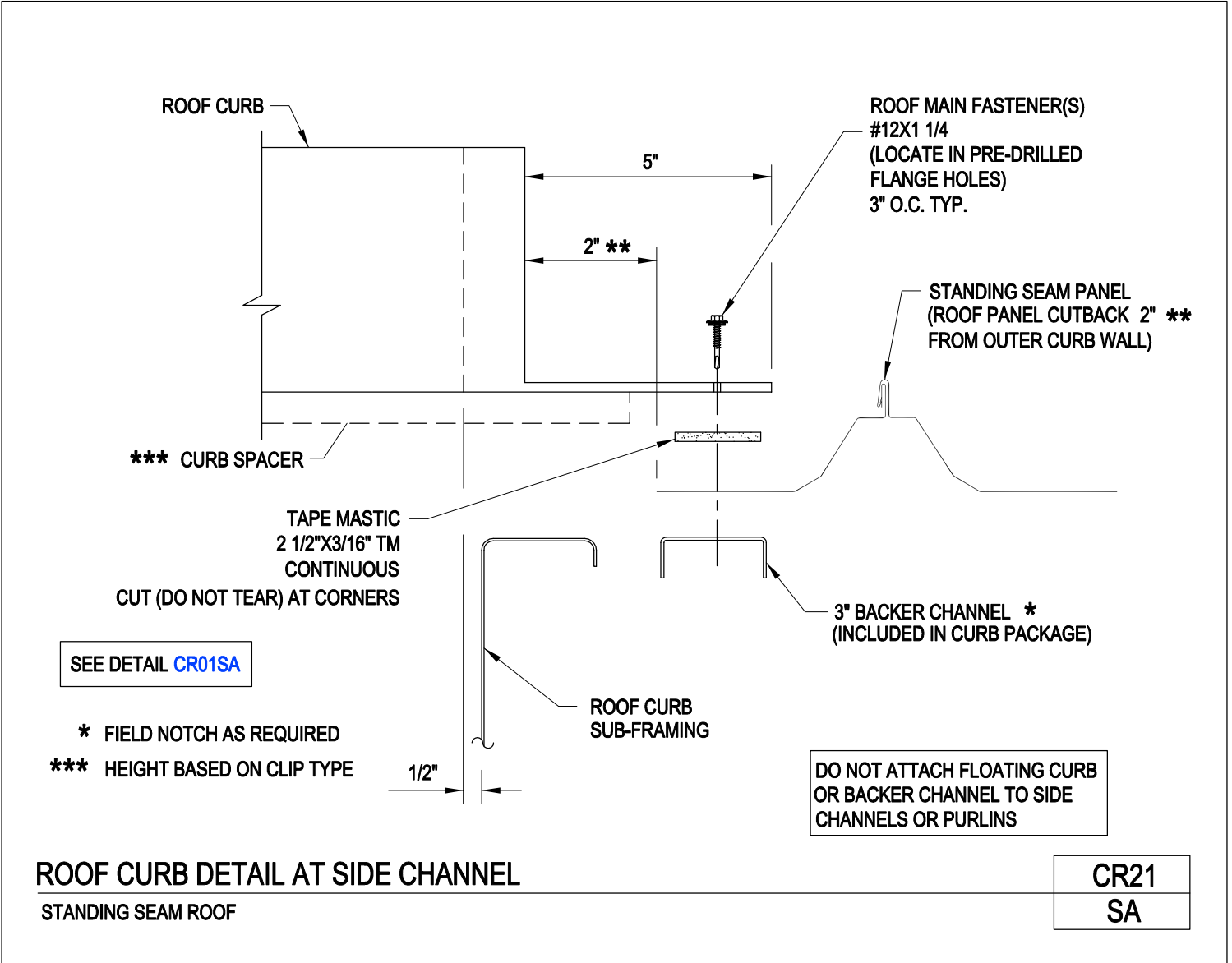
Roof Curb Side Channel
Standing Seam (SR2) Insulated Roof Panels
CR21/RA



[Download the DWG file by clicking here.](#)

[To Section Index](#)

Roof Curb Detail at Side Channel
 Standing Seam Roof
 CR21/SA



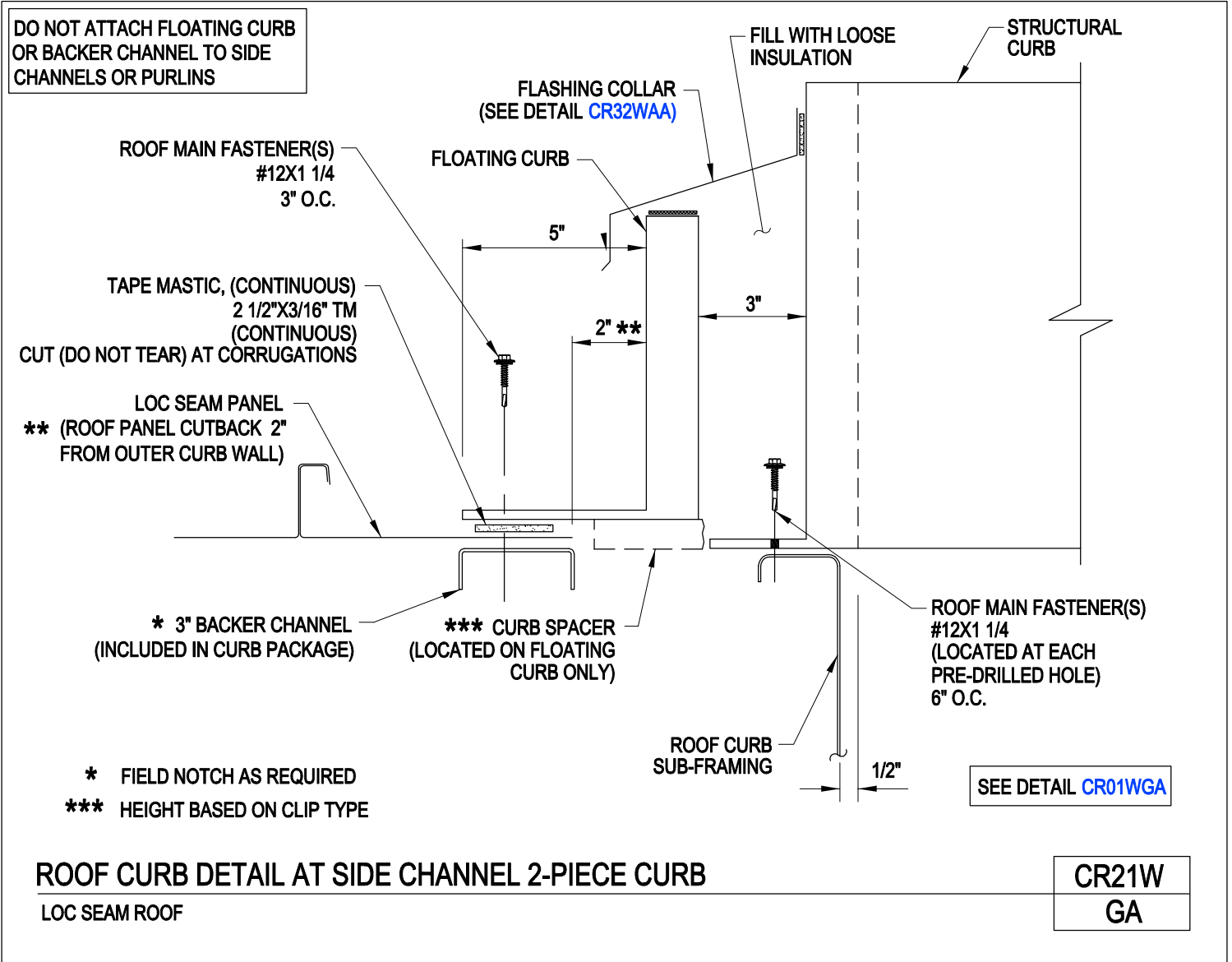
[Download the DWG file by clicking here.](#)

[To Section Index](#)

Roof Curb Detail at Side Channel 2-Piece Curb

Loc Seam Panel

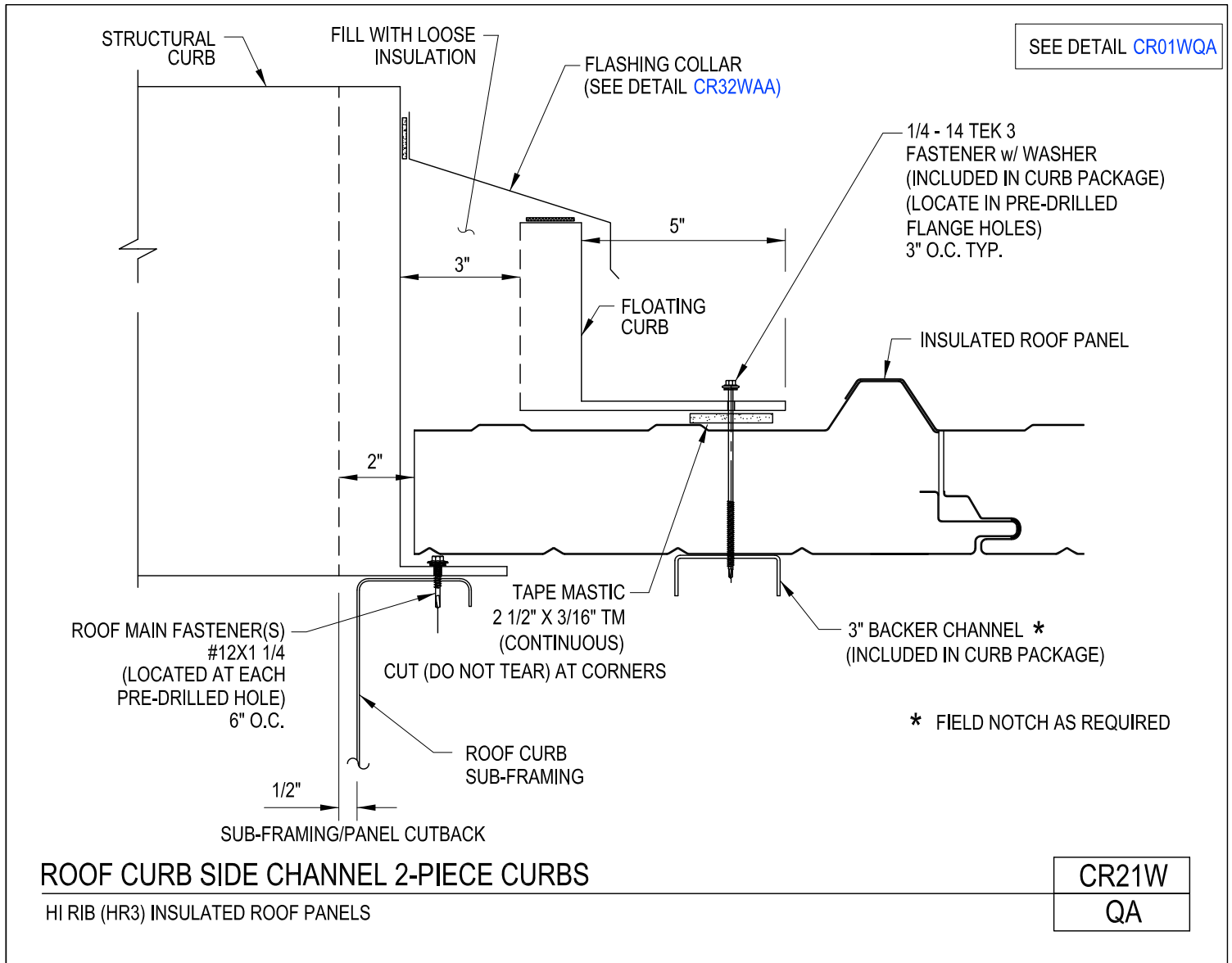
CR21W/GA



[Download the DWG file by clicking here.](#)

[To Section Index](#)

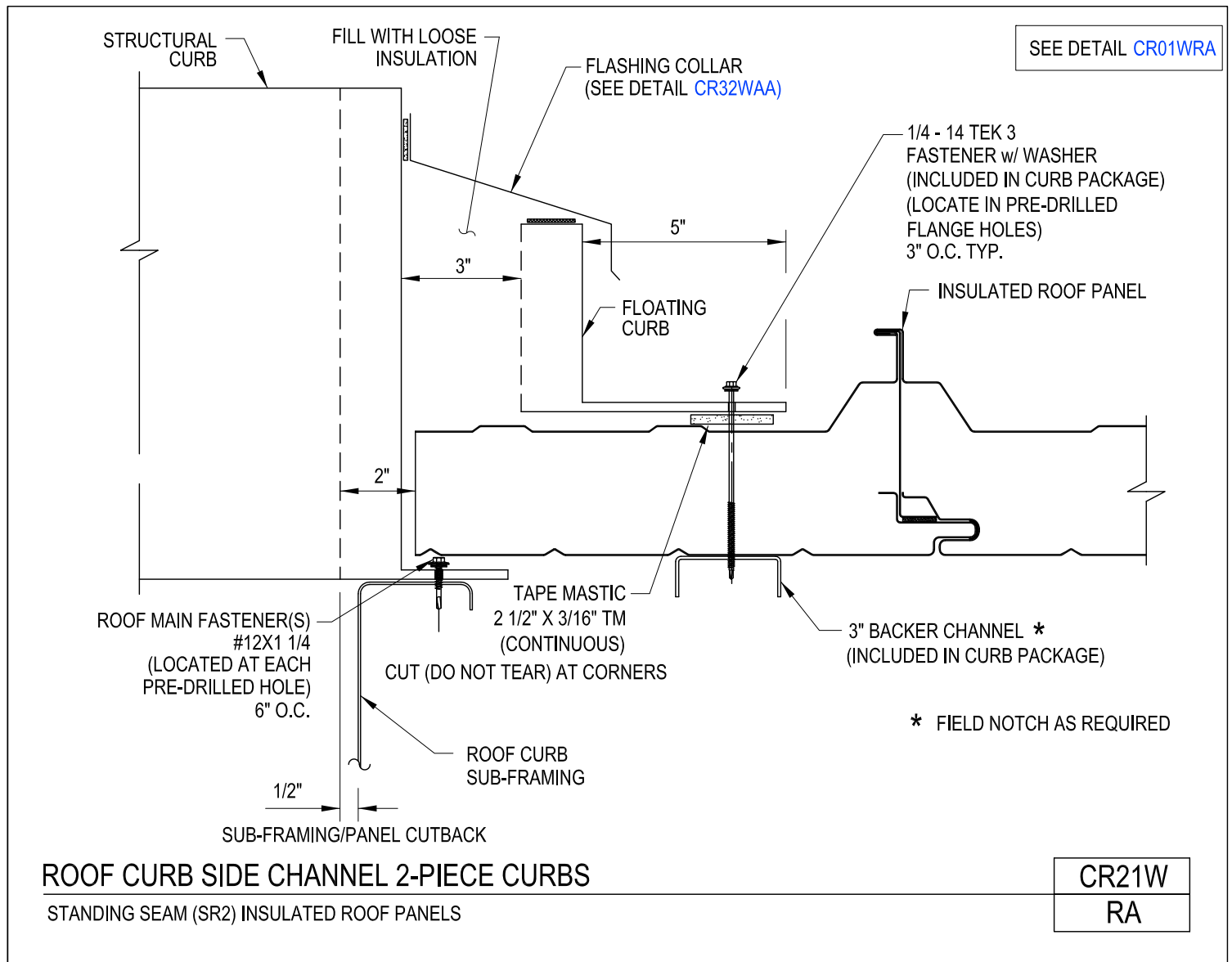
Roof Curb Side Channel 2-Piece Curbs
Hi Rib (HR3) Insulated Roof Panels
CR21W/QA



[Download the DWG file by clicking here.](#)

[To Section Index](#)

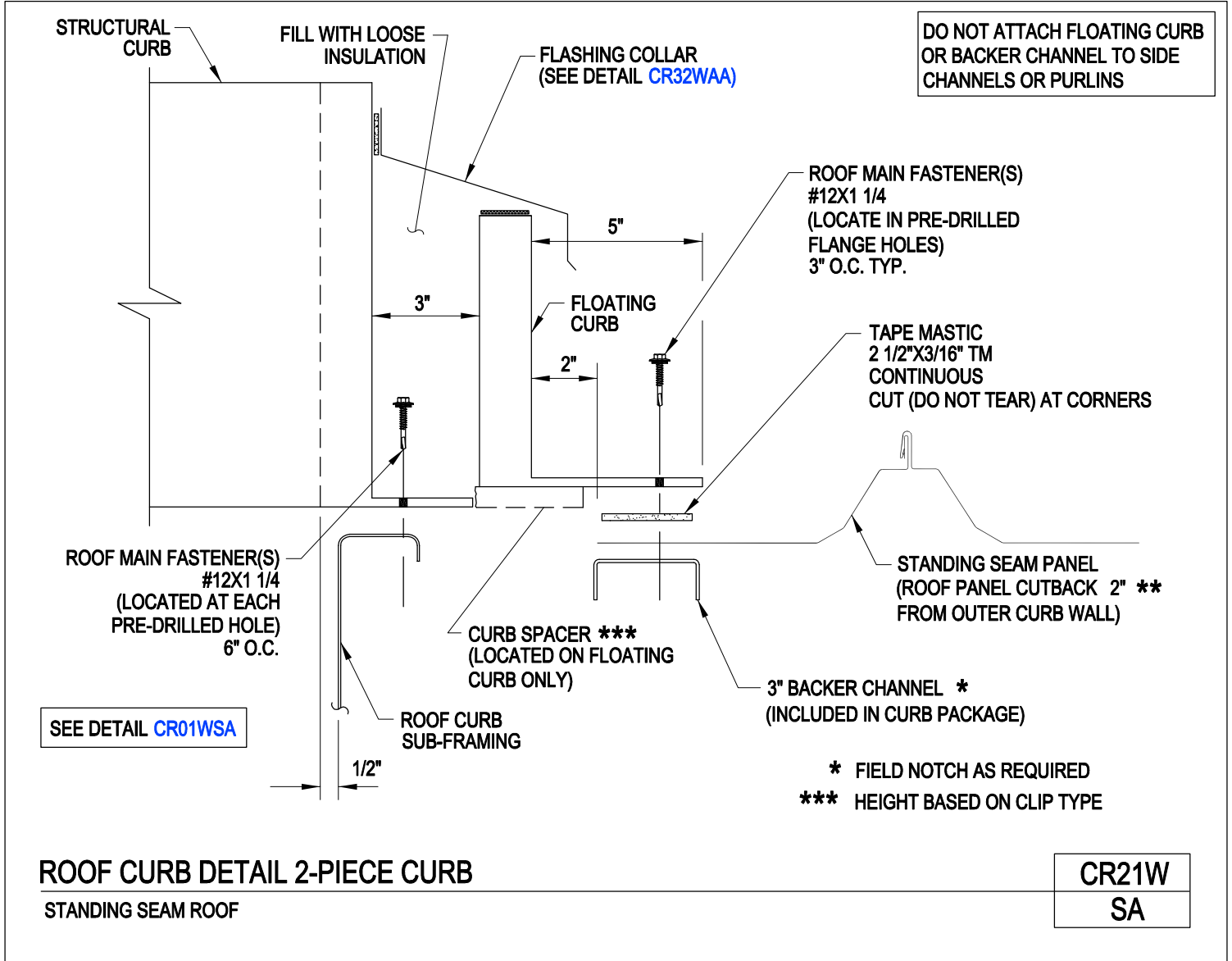
Roof Curb Side Channel 2-Piece Curbs
Standing Seam (SR2) Insulated Roof Panels
CR21W/RA



[Download the DWG file by clicking here.](#)

[To Section Index](#)

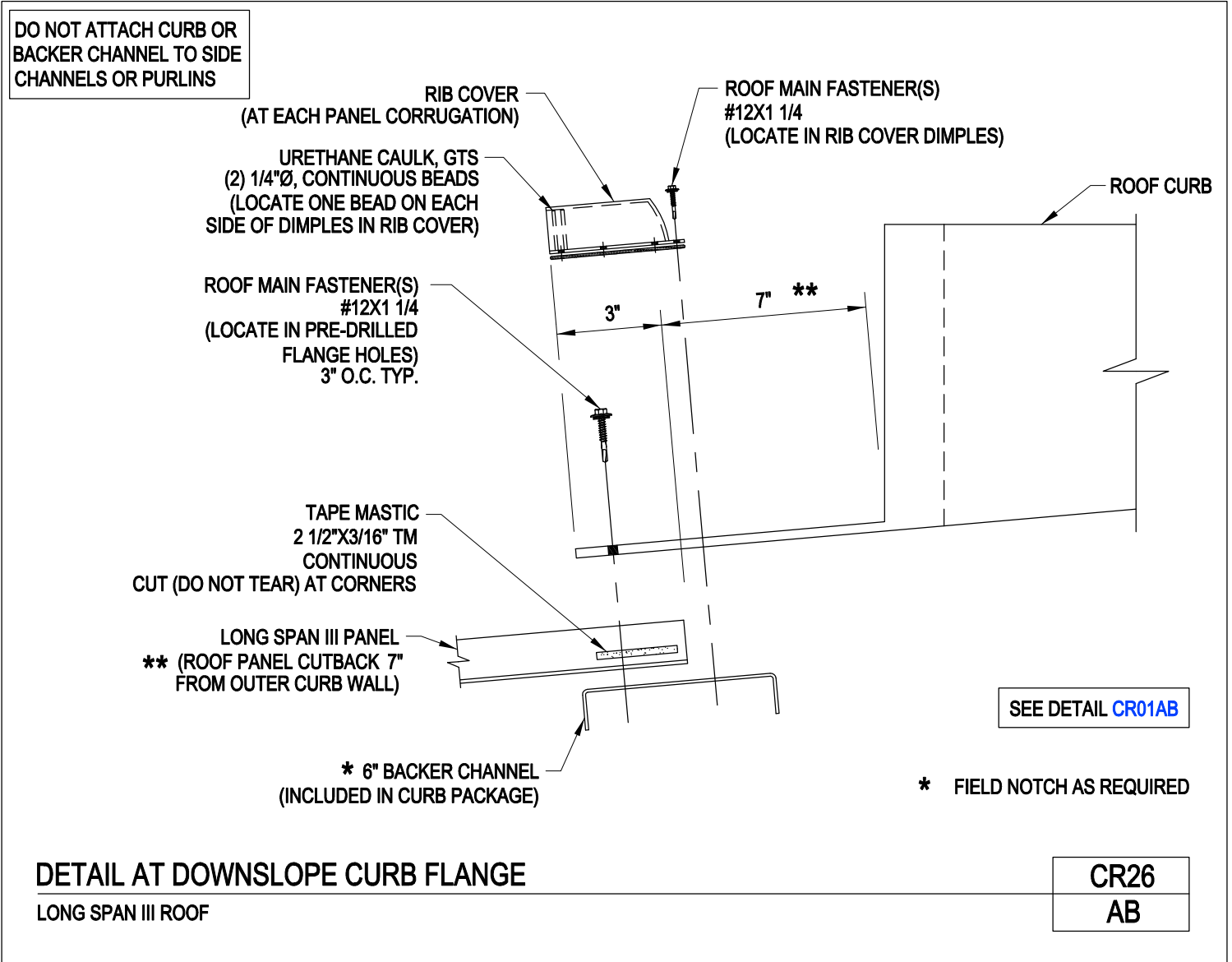
Roof Curb Detail 2-Piece Curb
 Standing Seam Roof
 CR21W/SA



[Download the DWG file by clicking here.](#)

[To Section Index](#)

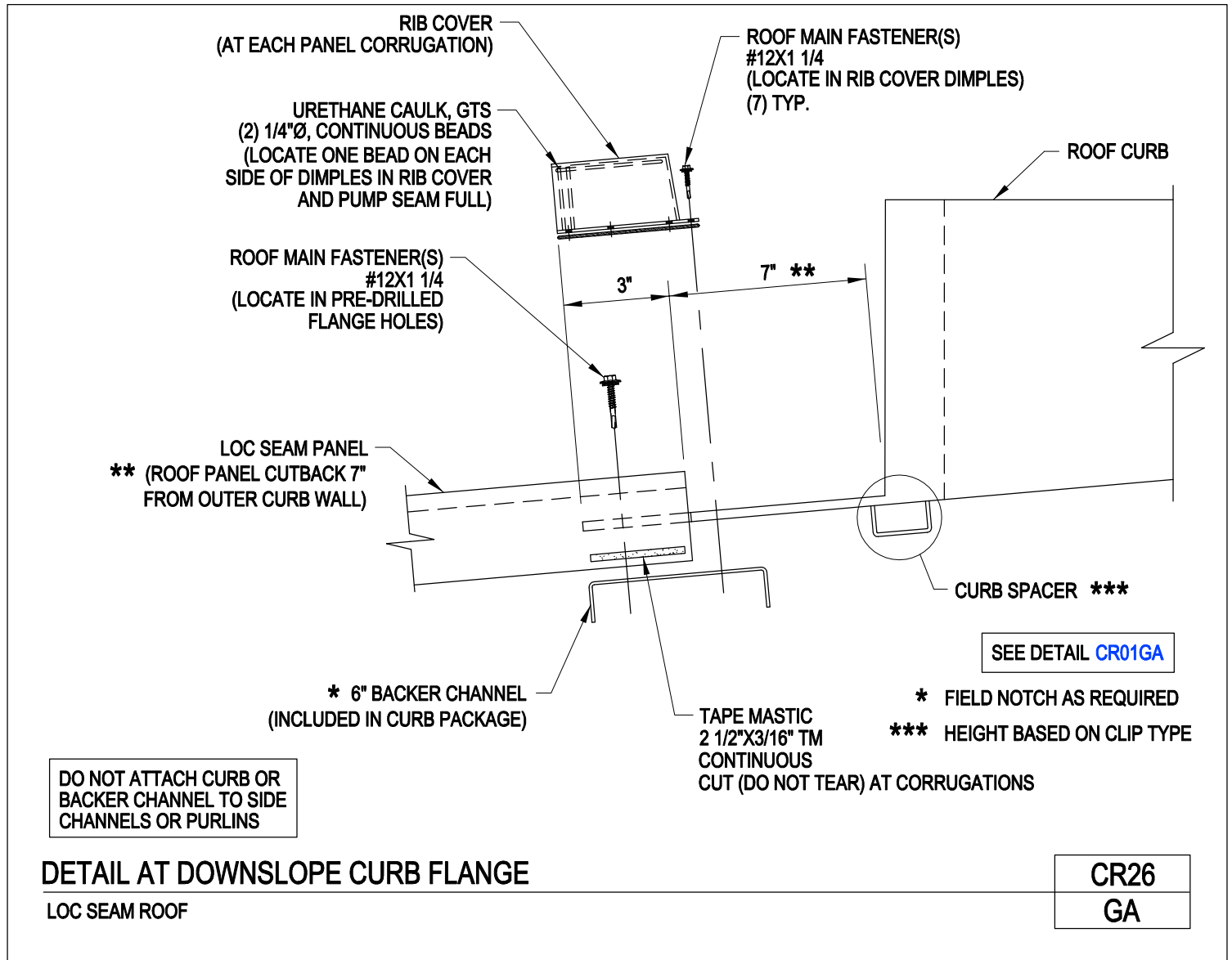
Detail at Downslope Curb Flange
 Longspan III
 CR26/AB



[Download the DWG file by clicking here.](#)

[To Section Index](#)

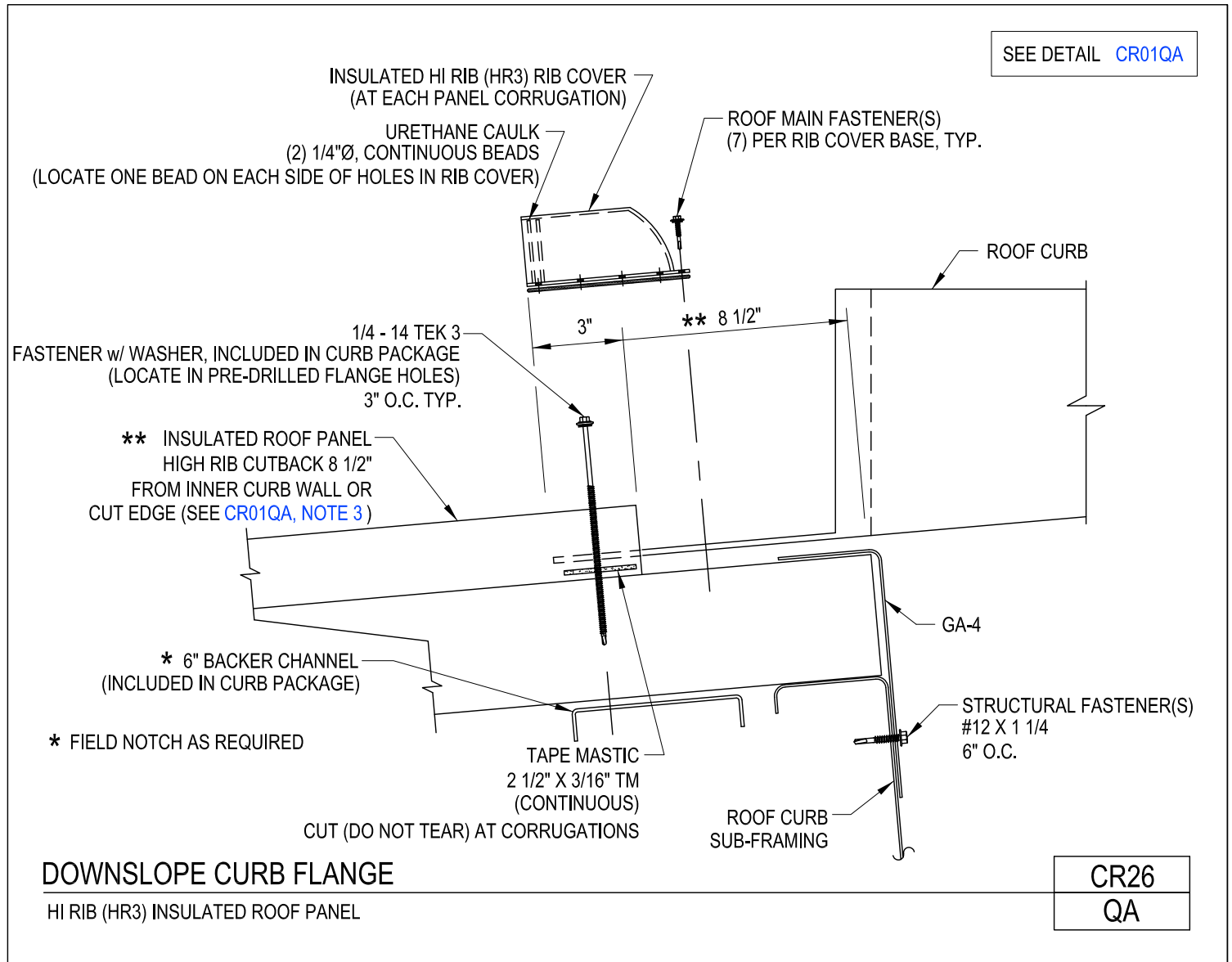
Detail at Downslope Curb Flange
Loc Seam Panel
CR26/GA



[Download the DWG file by clicking here.](#)

[To Section Index](#)

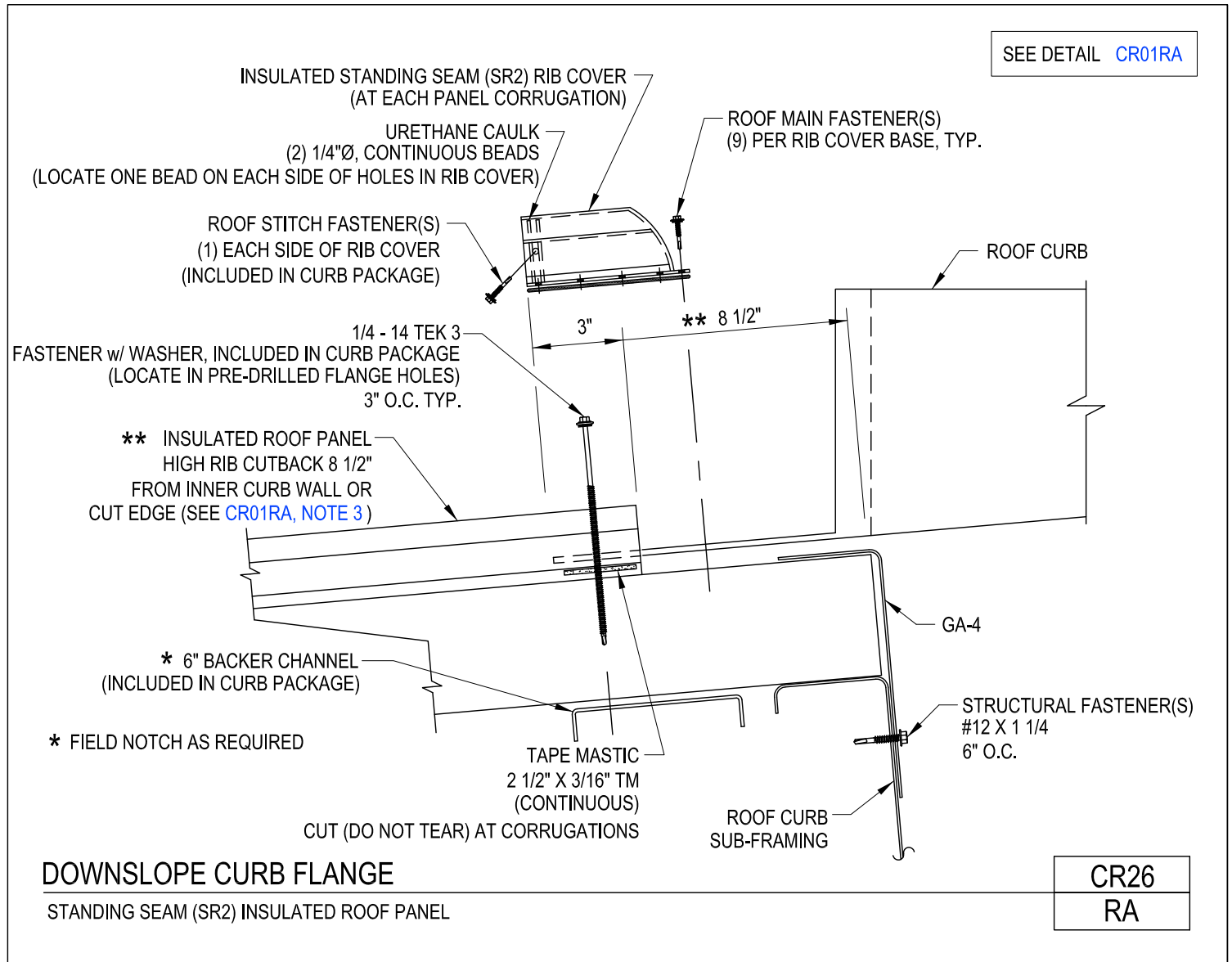
Downslope Curb Flange
Hi Rib (HR3) Insulated Roof Panels
CR26/RA



[Download the DWG file by clicking here.](#)

[To Section Index](#)

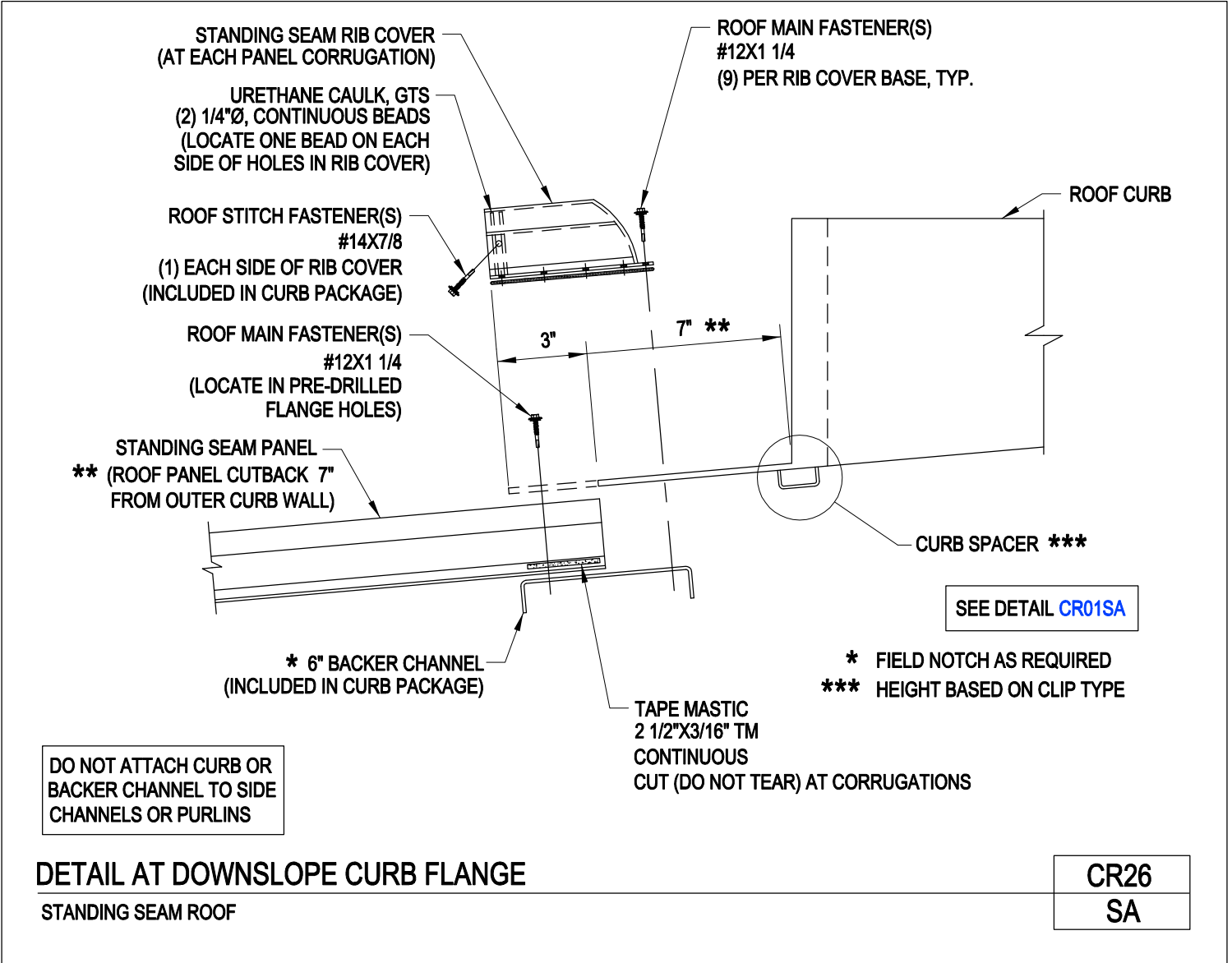
Downslope Curb Flange
Standing Seam (SR2) Insulated Roof Panels
CR26/RA



[Download the DWG file by clicking here.](#)

[To Section Index](#)

Detail at Downslope Curb Flange
 Standing Seam Roof
 CR26/SA



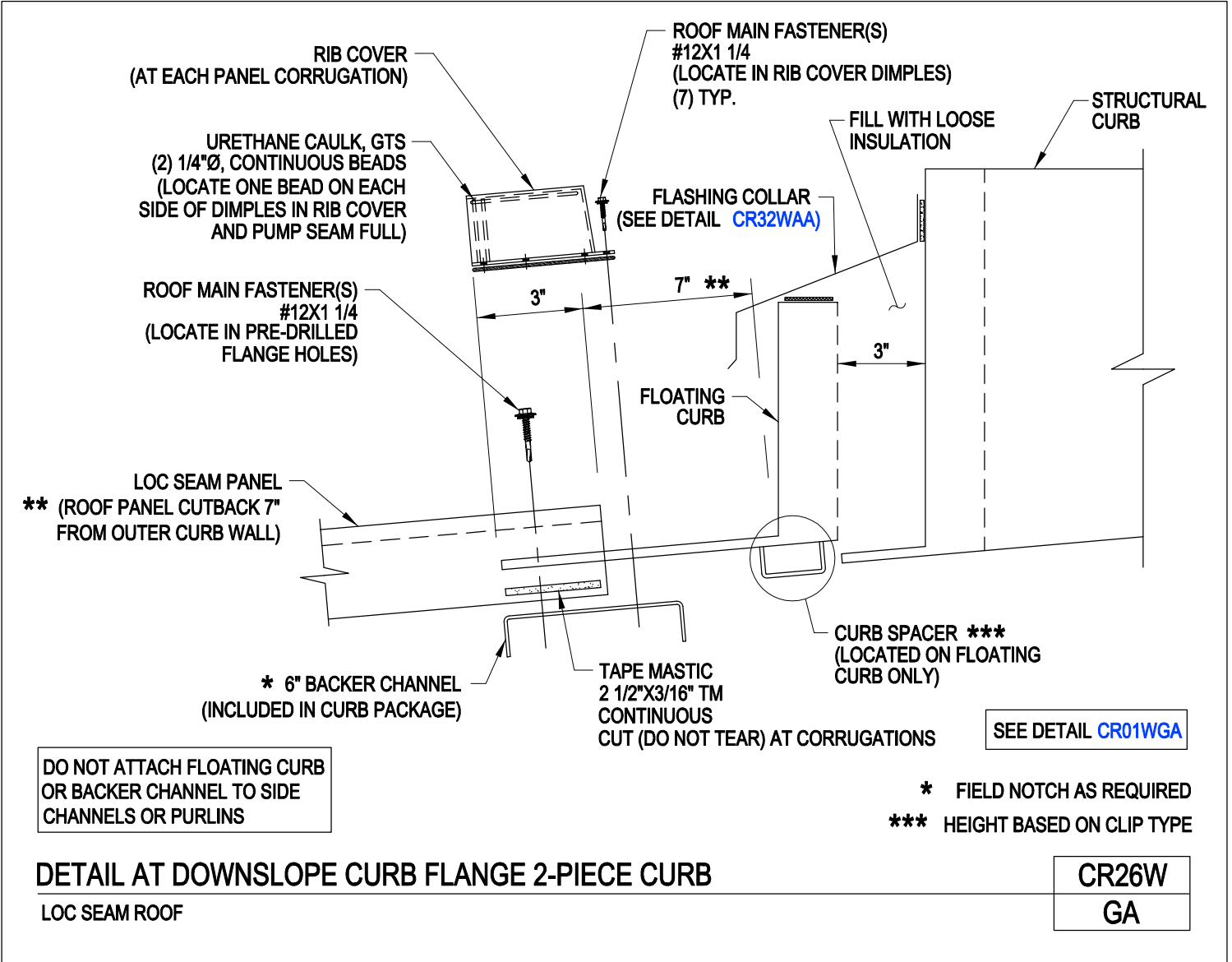
[Download the DWG file by clicking here.](#)

[To Section Index](#)

Detail at Downslope Curb Flange 2-Piece Curb

Loc Seam Panel

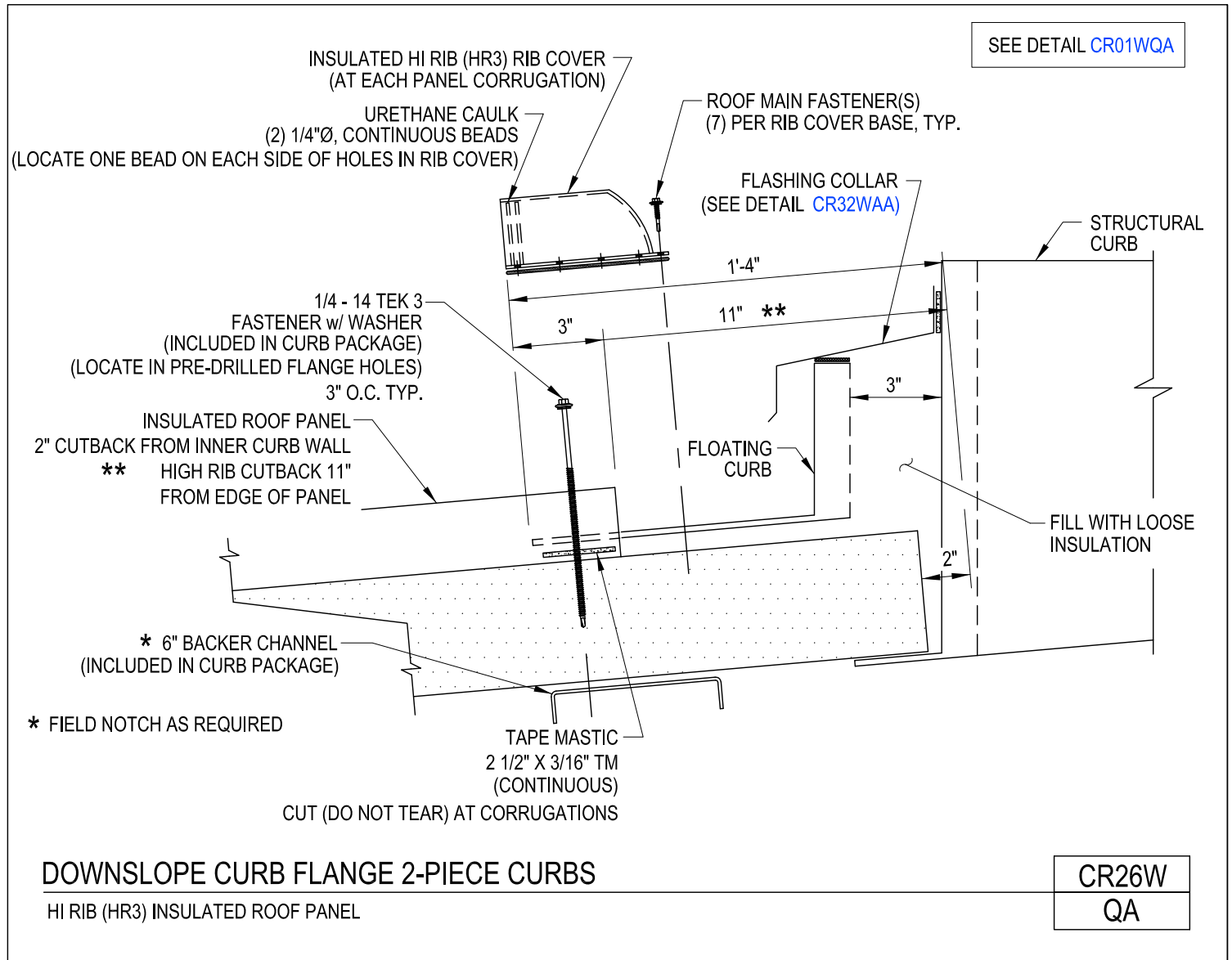
CR26W/GA



[Download the DWG file by clicking here.](#)

[To Section Index](#)

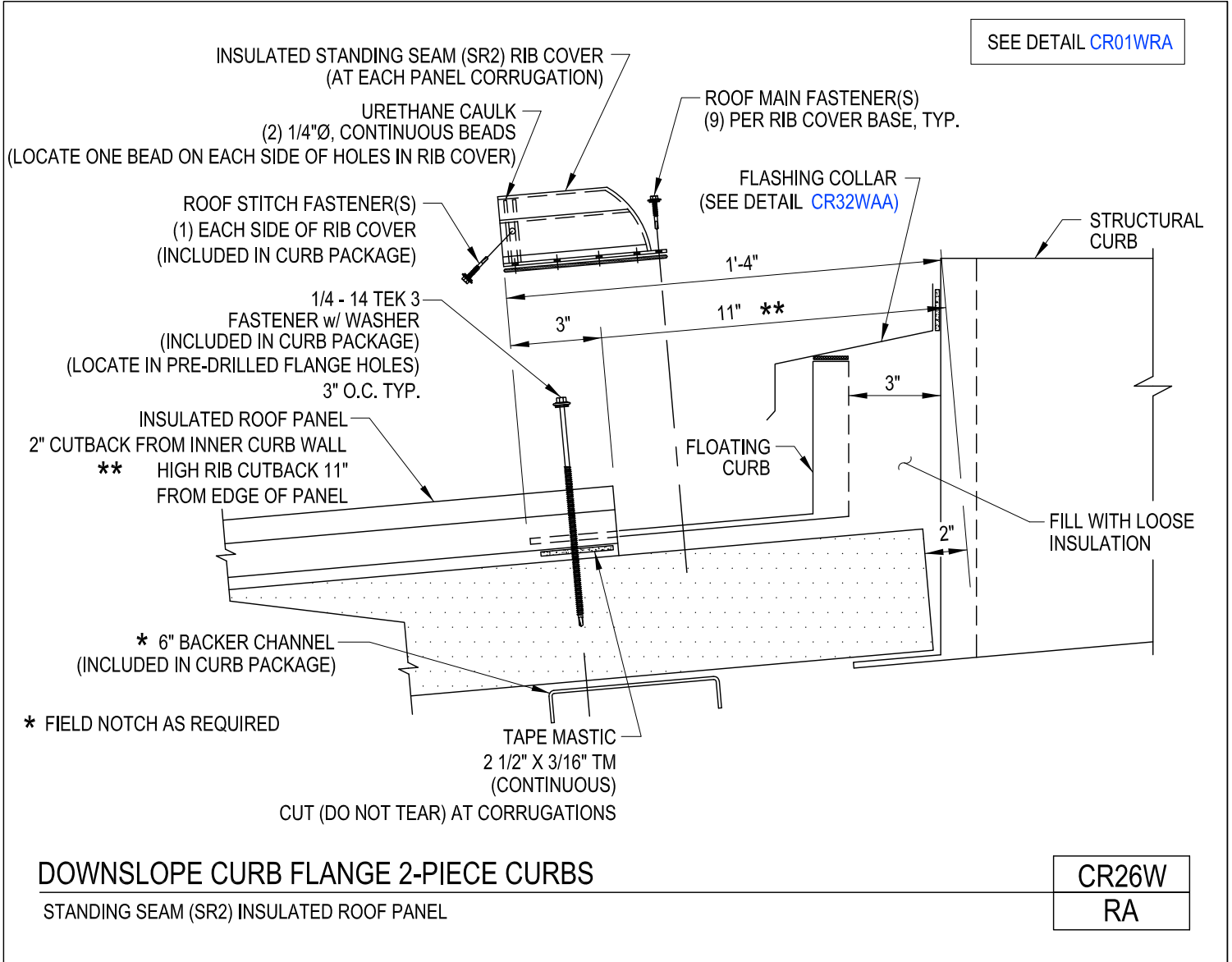
Downslope Curb Flange 2-Piece Curbs
Hi Rib (HR3) Insulated Roof Panels
CR26W/QA



[Download the DWG file by clicking here.](#)

[To Section Index](#)

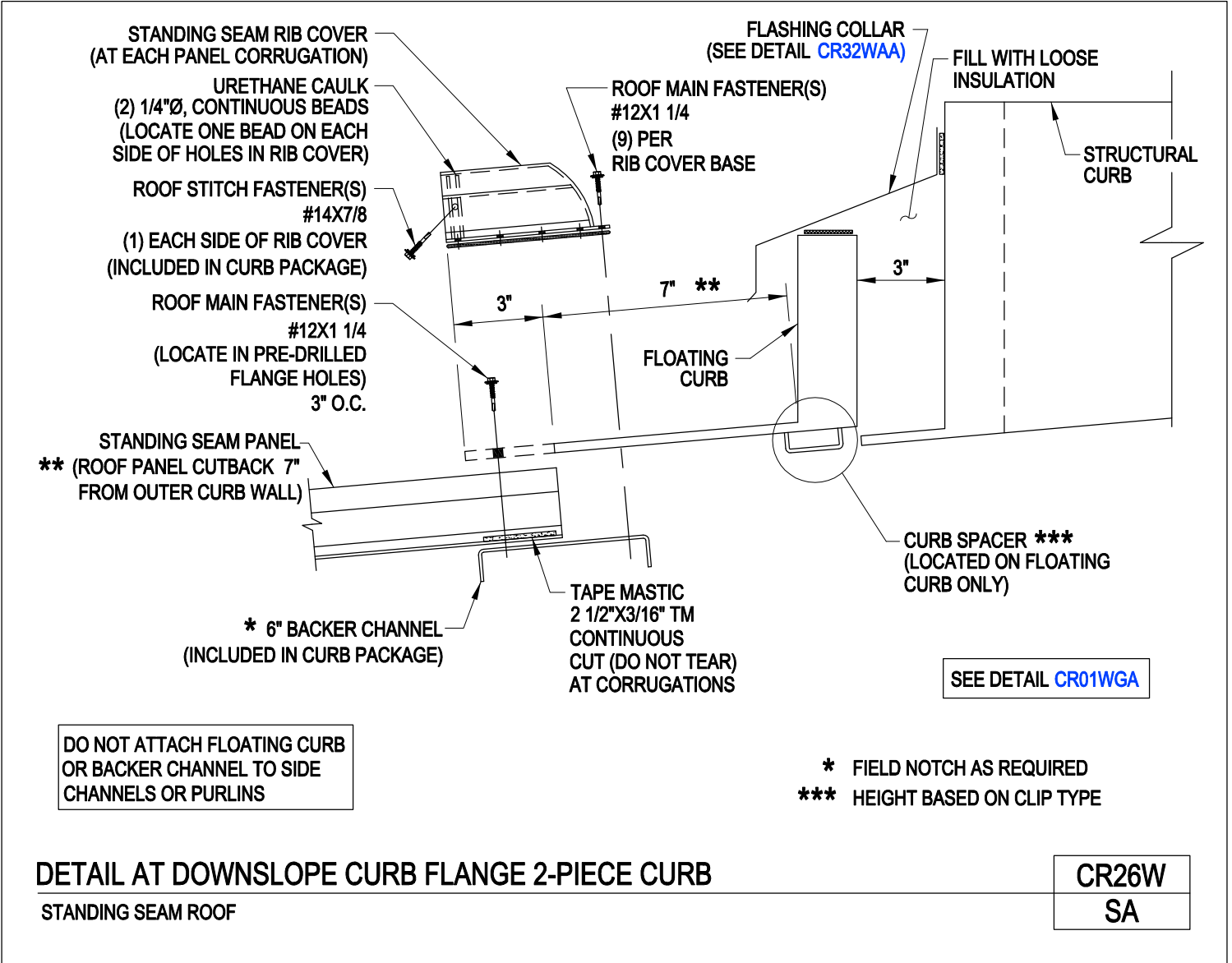
Downslope Curb Flange 2-Piece Curbs
 Standing Seam (SR2) Insulated Roof Panels
 CR26W/RA



[Download the DWG file by clicking here.](#)

[To Section Index](#)

Detail at Downslope Curb Flange 2-Piece Curb
 Standing Seam Roof
 CR26W/SA



[Download the DWG file by clicking here.](#)

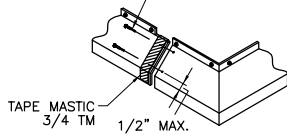
[To Section Index](#)

Roof Curb Flashing Detail
2-Piece Curbs (All Roof Types)
CR32W/AA

FLASHING COLLAR INSTALLATION INSTRUCTIONS

1. PRIOR TO THE FLASHING COLLAR INSTALLATION, LOOSELY PLACE INSULATION IN THE CAVITY BETWEEN THE STRUCTURAL CURB AND THE FLOATING CURB.
2. PLACE THE FLASHING COLLAR AROUND THE CURB AND MARK THE LOCATION OF THE TOP EDGE OF THE FLASHING COLLAR ONTO THE STRUCTURAL CURB.
3. REMOVE THE COLLAR AND INSTALL 3/4" TAPE MASTIC AROUND THE FULL PERIMETER OF THE STRUCTURAL CURB JUST BELOW THE MARK.
4. PLACE FOAM TAPE (WEATHER STRIPPING) THE FULL PERIMETER ON TOP FLANGE OF FLOATING CURB.
5. REMOVE PAPER BACKING FROM TAPE MASTIC, THEN PLACE THE STRAIGHT PIECES OF FLASHING COLLAR ONTO THE FLOATING CURB AND PRESS TIGHTLY AGAINST THE STRUCTURAL CURB.
6. FASTEN FLASHING TO THE STRUCTURAL CURB (ONLY) USING #12X1 1/4" FASTENERS AT 6" O.C.
7. PLACE 3/4" TAPE MASTIC ACROSS THE WIDTH OF THE COLLAR WHERE THE FLASHING COLLAR LAPS.
8. PUT THE CORNER PIECES OF FLASHING COLLAR IN PLACE AND FASTEN TOGETHER USING (2) #12X1/4". FASTEN ALL LAPS AND FLASHING COLLAR TO STRUCTURAL CURB AS NOTED ABOVE.

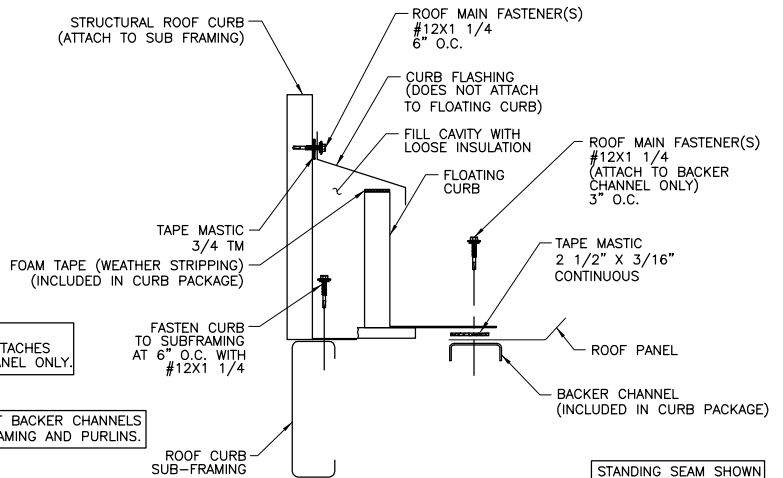
LAP FLASHING COLLARS & SECURE W/ (2) #12X1 1/4"



FLASHING COLLAR LAP

DO NOT ATTACH FLOATING CURB TO STRUCTURAL SUB-FRAMING. CURB ATTACHES TO BACKER CHANNELS AND ROOF PANEL ONLY.

FIELD NOTCHING OF VERTICAL LEG OF BACKER CHANNELS MAY BE REQUIRED AT CURB SUB-FRAMING AND PURLINS.



STANDING SEAM SHOWN

ROOF CURB FLASHING DETAIL
2-PIECE CURBS (ALL ROOF TYPES)

CR32W
AA

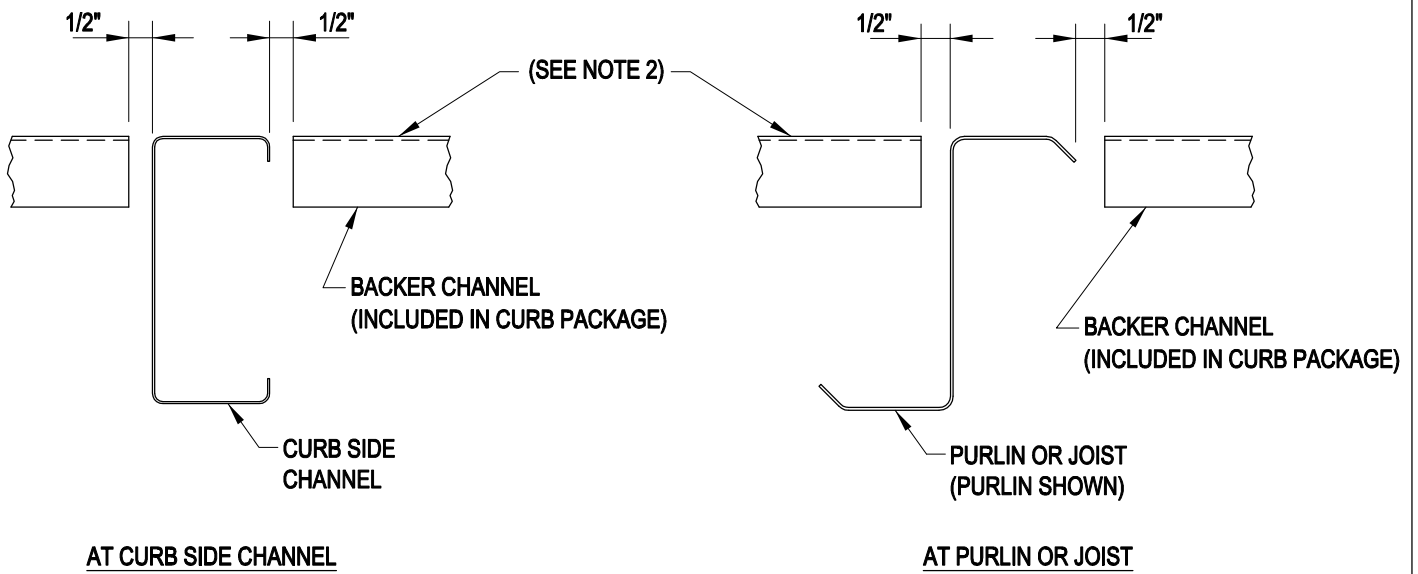
[Download the DWG file by clicking here.](#)

Field Notching of Backer Channel

CR33/RA

NOTES:

- 1.) FIELD CUT BACKER CHANNELS FOR CLEARANCE AT CURB SIDE CHANNELS AND PURLINS/JOISTS USING A NON-ABRASIVE SAW.
- 2.) SEE [OF34RA](#) FOR BACKER CHANNEL ATTACHMENT TO UNDERSIDE OF INSULATED PANEL.



FIELD NOTCHING OF BACKER CHANNEL

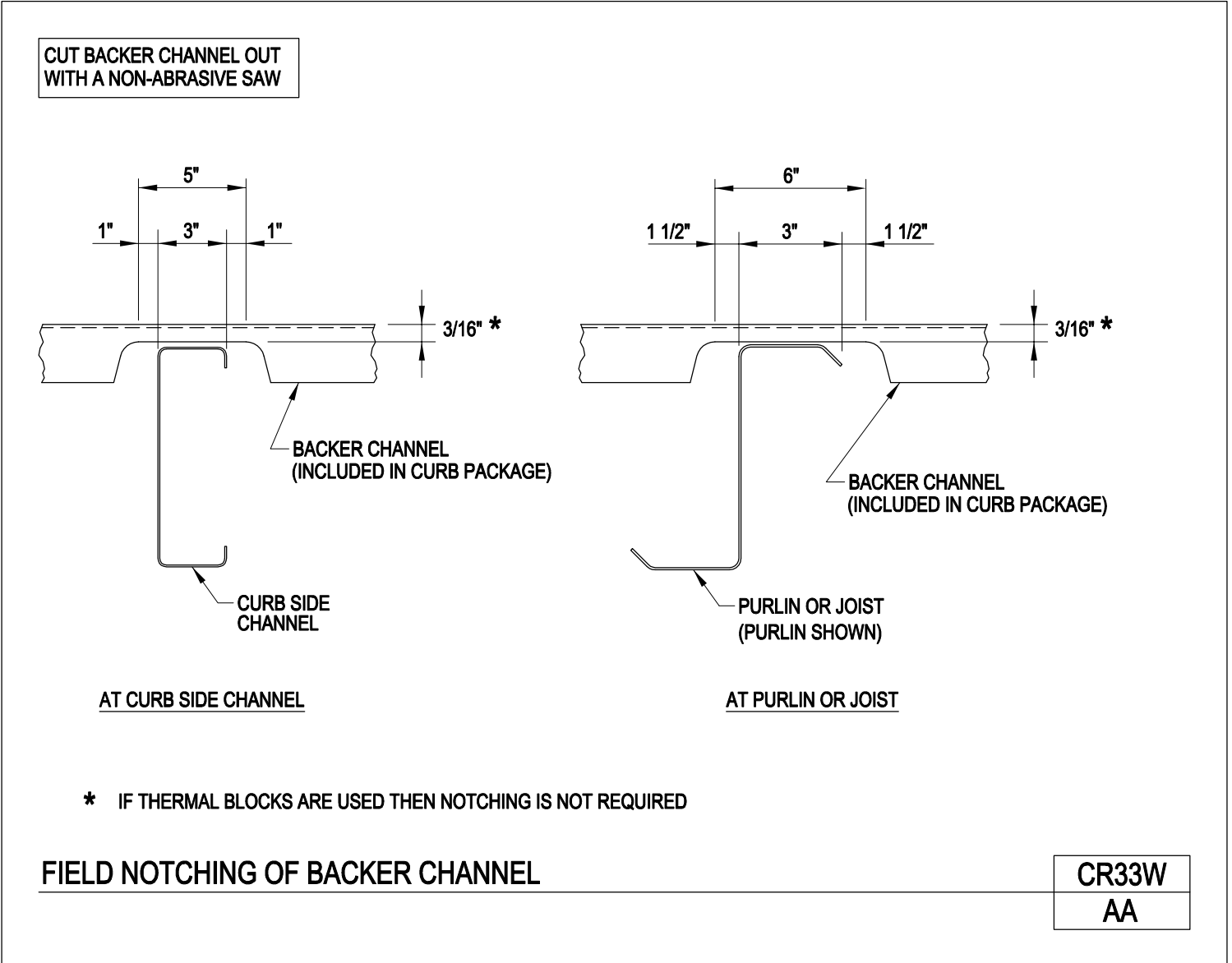
CR33
RA

[Download the DWG file by clicking here.](#)

[To Section Index](#)

Field Notching of Backer Channel

CR33W/AA



[Download the DWG file by clicking here.](#)

[To Section Index](#)

Lightweight Roof Curb Installation
 Longspan III
 CR50/AB

SAFETY PRECAUTION
 WORKERS SHOULD MAINTAIN A CONSTANT AWARENESS OF THEIR LOCATION IN RELATION TO THE ROOF EDGE AND ANY ROOF OPENINGS AT ALL TIMES.

LONGSPAN RIB COVER (LOCATE AT EACH PANEL CORRUGATION) (SEE NOTE E)

SEE FLANGE NOTCH DETAIL

CR52 AB

CR51 AB

CR53 AA

URETHANE CAULK, GTS 1/4" BEAD CONTINUOUS AROUND PERIMETER OF CURB AFTER INSTALLED, TOOL SMOOTH

TAPE MASTIC 2 1/2"x3/16" TM (UPHILL/DOWNHILL) 1 1/2"x3/16" TM (SIDES) CONTINUOUS (SEE NOTE E)

LONGSPAN III PANEL

DEBURR ALL FIELD CUT EDGES AT PANEL CORRUGATIONS

SEE NOTE A

SEE NOTE D

10"

10"

UPSLOPE

DOWNSLOPE

FLANGE NOTCH DETAIL (TYPICAL)

FIELD NOTCH UPSLOPE AND DOWNSLOPE FLANGES AT CORRUGATION LOCATIONS. DO NOT OVERSIZE NOTCHES. PROPER NOTCHING OF FLANGES IS CRITICAL TO WEATHERTIGHTNESS.

INSTALLATION PROCEDURES

- 1.) AFTER SHEETING IS COMPLETE. LOCATE THE FOUR INSIDE CORNERS OF THE BACKER FRAMING (IF PROPERLY LOCATED, THE FOUR FASTENERS SHOULD BE A GUIDE).
- 2.) DRILL A HOLE IN PANEL AT EACH CORNER AND VISUALLY FIND EACH INSIDE CORNER OF BACKER FRAMING.
- 3.) PANEL CUTOUT WIDTH WILL BE THE INSIDE EDGE OF THE BACKER SUPPORT CHANNELS.
- 4.) PANEL CUTOUT LENGTH WILL BE 8 1/2" BEYOND INSIDE EDGE OF DOWNHILL/UPHILL BACKER CROSS CHANNEL (SEE CR51AB & CR52AB).
- 5.) CUT OUT OPENING AS REQUIRED.
- 6.) PLACE CURB OVER OPENING AND MARK PANEL RIB LOCATIONS.
- 7.) NOTCH UPPER AND LOWER CURB FLANGE AS REQUIRED. SEE NOTCH DETAIL.
- 8.) PLACE CURB OVER OPENING AND CHECK FOR PROPER FIT.
- 9.) REMOVE THE FOUR FASTENERS FROM THE CORNERS OF FRAMING.
- 10.) PLACE ALL PROPER MASTIC AROUND PERIMETER OF CURB.
- 11.) SET CURB OVER OPENING, ALIGN AND FASTEN WITH #12X1 1/4 SDRF ROOF FASTENERS. FASTENERS LOCATED IN PRE-DRILLED HOLES AND/OR EVERY 3'.
- 12.) PLACE PROPER SEALANT IN RIB COVERS AND FASTEN INTO PANEL. LOCATE FASTENERS IN CAP DIMPLES OR AROUND CAP PERIMETER TO ENSURE PROPER SEAL.
- 13.) CHECK FOR VOIDS AND FILL AS NEEDED.
- 14.) TOOL ALL EXPOSED CAULKING TO ALLOW FOR PROPER DRAINAGE. REMOVE ALL METAL SHAVING FROM CURB AND ROOF AREA.

NOTES:

A. CUT (DO NOT TEAR) TAPE MASTIC AT A 45° ANGLE AT CORNERS.

B. CUT (DO NOT TEAR) TAPE MASTIC AT PANEL CORRUGATIONS.

C. DO NOT USE STANDING SEAM CAULK (SSCK-1) IN LIEU OF URETHANE CAULK (GTS).

D. ROOF CURB SUPPORT CHANNELS AND INSULATION OMITTED FOR CLARITY.

E. INDICATED CAULK, MASTIC, RIB COVERS AND FASTENERS ARE PRE-PACKAGED WITH THE ROOF CURBS.

F. WHEN FIELD CUTTING PANELS OR TRIM DO NOT USE ABRASIVE SAWS OR OTHER CUTTING METHODS WHICH PRODUCE HOT METAL PARTICLES AND/OR BURN THE CUT EDGES. THESE METHODS WILL DAMAGE THE PAINTED AND ALUMINUM COATED FINISH AND VOID ANY WARRANTIES. USE DOUBLE CUT SHEARS, NIBBLERS OR OTHER CUTTING DEVICES WHICH DO NOT PRODUCE HOT METAL PARTICLES OR BURNED EDGES.

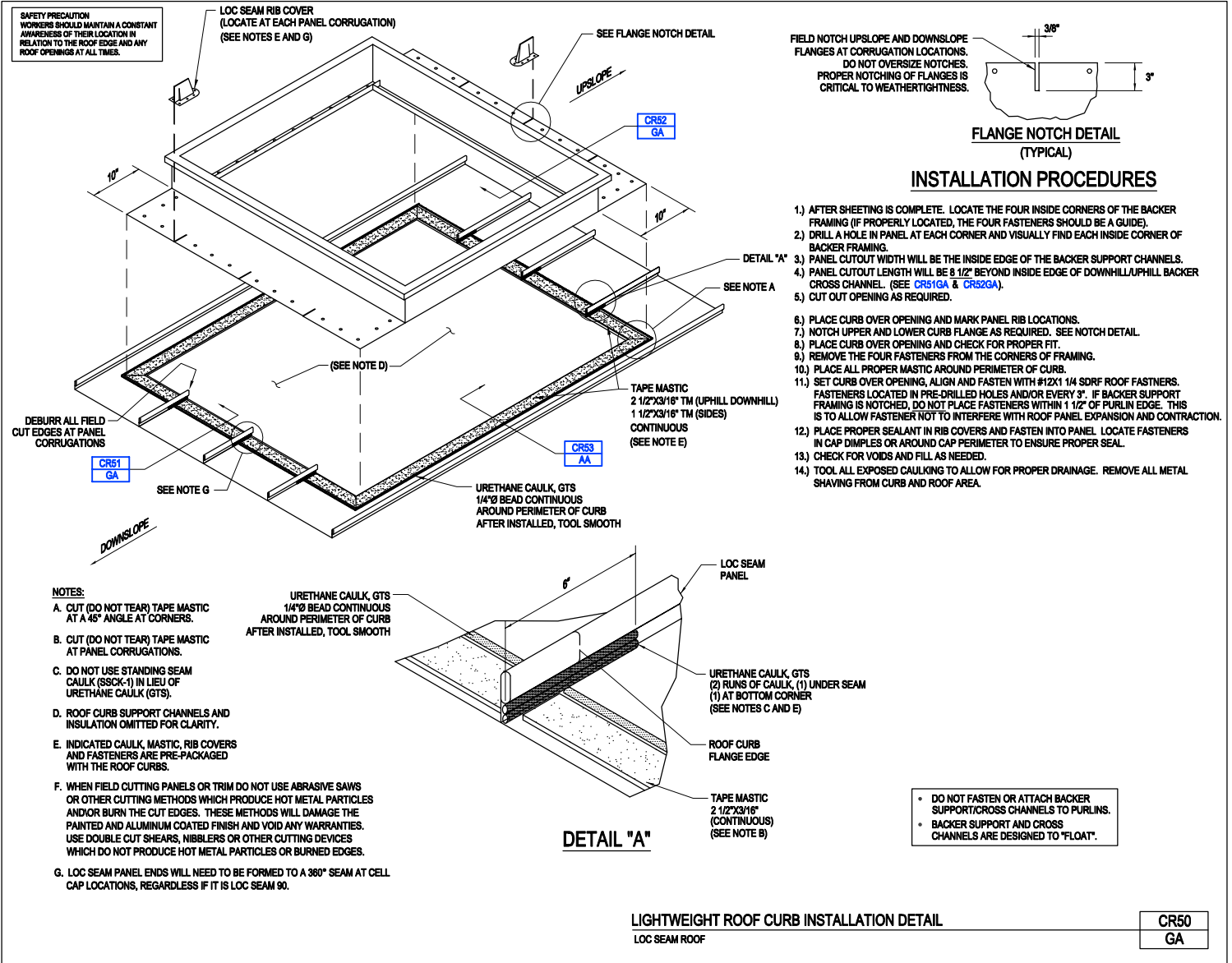
DETAIL "A"

LIGHTWEIGHT ROOF CURB INSTALLATION DETAIL
 LONGSPAN III ROOF

CR50
AB

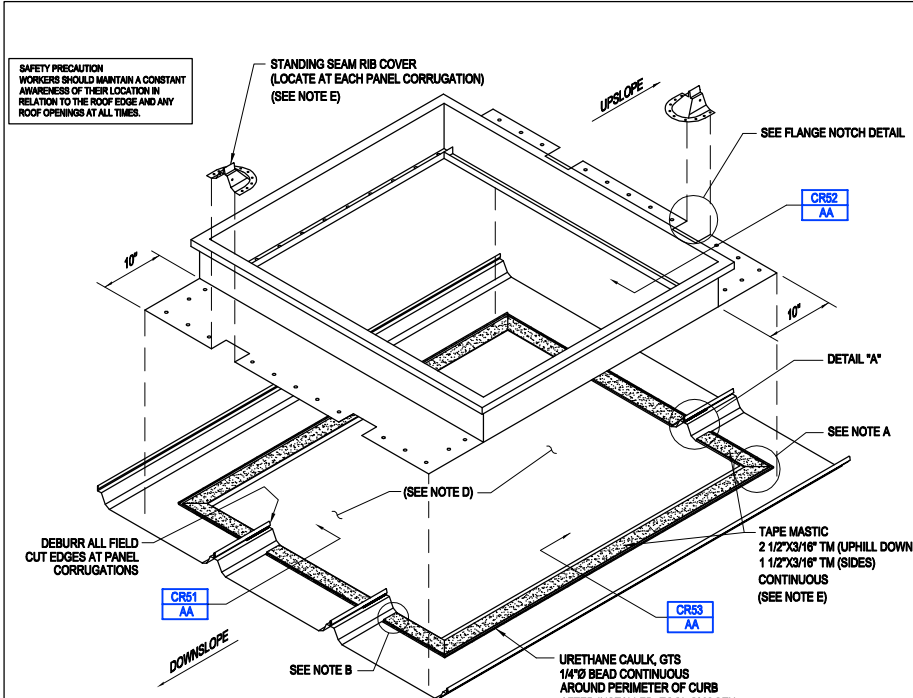
[Download the DWG file by clicking here.](#)

Lightweight Roof Curb Installation Detail
 Loc Seam Panel
 CR50/GA



[Download the DWG file by clicking here.](#)

Lightweight Roof Curb Installation Detail
Standing Seam Roof
CR50/SA



SAFETY PRECAUTION
WORKERS SHOULD MAINTAIN A CONSTANT AWARENESS OF THEIR LOCATION IN RELATION TO THE ROOF EDGE AND ANY ROOF OPENINGS AT ALL TIMES.

CR52 AA

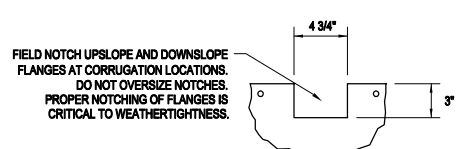
CR51 AA

CR53 AA

DETAIL "A"

URETHANE CAULK, GTS 1/4"Ø BEAD CONTINUOUS AROUND PERIMETER OF CURB AFTER INSTALLED, TOOL SMOOTH

TAPE MASTIC 2 1/2"X3/16" TM (UPHILL/DOWNHILL) 1 1/2"X3/16" TM (SIDES) CONTINUOUS (SEE NOTE E)



FLANGE NOTCH DETAIL (TYPICAL)

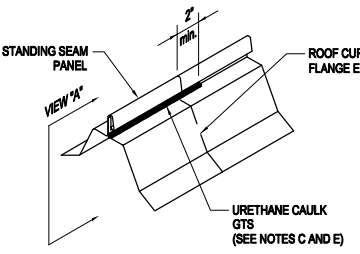
FIELD NOTCH UPSLOPE AND DOWNSLOPE FLANGES AT CORRUGATION LOCATIONS. DO NOT OVERSIZE NOTCHES. PROPER NOTCHING OF FLANGES IS CRITICAL TO WEATHERTIGHTNESS.

INSTALLATION PROCEDURES

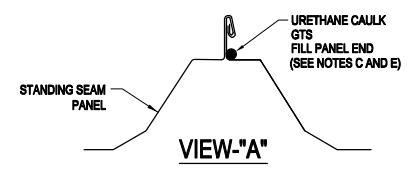
- 1.) AFTER SHEETING IS COMPLETE. LOCATE THE FOUR INSIDE CORNERS OF THE BACKER FRAMING (IF PROPERLY LOCATED, THE FOUR FASTENERS SHOULD BE A GUIDE).
- 2.) DRILL A HOLE IN PANEL AT EACH CORNER AND VISUALLY FIND EACH INSIDE CORNER OF BACKER FRAMING.
- 3.) PANEL CUTOUT WIDTH WILL BE THE INSIDE EDGE OF THE BACKER SUPPORT CHANNELS.
- 4.) PANEL CUTOUT LENGTH WILL BE 8 1/2" BEYOND INSIDE EDGE OF DOWNHILL/UPHILL BACKER CROSS CHANNEL (SEE CR51SA & CR52SA).
- 5.) CUT OUT OPENING AS REQUIRED.
- 6.) PLACE CURB OVER OPENING AND MARK PANEL RIB LOCATIONS.
- 7.) NOTCH UPPER AND LOWER CURB FLANGE AS REQUIRED. SEE NOTCH DETAIL.
- 8.) PLACE CURB OVER OPENING AND CHECK FOR PROPER FIT.
- 9.) REMOVE THE FOUR FASTENERS FROM THE CORNERS OF FRAMING.
- 10.) PLACE ALL PROPER MASTIC AROUND PERIMETER OF CURB.
- 11.) SET CURB OVER OPENING, ALIGN AND FASTEN WITH #12X1 1/4 SDRF ROOF FASTENERS. FASTENERS LOCATED IN PRE-DRILLED HOLES AND/OR EVERY 3". IF BACKER SUPPORT FRAMING IS NOTCHED, DO NOT PLACE FASTENERS WITHIN 1 1/2" OF PURLIN EDGE. THIS IS TO ALLOW FASTENER NOT TO INTERFERE WITH ROOF PANEL EXPANSION AND CONTRACTION.
- 12.) PLACE PROPER SEALANT IN RIB COVERS AND FASTEN INTO PANEL. LOCATE FASTENERS IN CAP DIMPLES OR AROUND CAP PERIMETER TO ENSURE PROPER SEAL.
- 13.) CHECK FOR VOIDS AND FILL AS NEEDED.
- 14.) TOOL ALL EXPOSED CAULKING TO ALLOW FOR PROPER DRAINAGE. REMOVE ALL METAL SHAVING FROM CURB AND ROOF AREA.

NOTES:

- A. CUT (DO NOT TEAR) TAPE MASTIC AT A 45° ANGLE AT CORNERS.
- B. CUT (DO NOT TEAR) TAPE MASTIC AT PANEL CORRUGATIONS.
- C. DO NOT USE STANDING SEAM CAULK (SSCK-1) IN LIEU OF URETHANE CAULK (GTS).
- D. ROOF CURB SUPPORT CHANNELS AND INSULATION OMITTED FOR CLARITY.
- E. INDICATED CAULK, MASTIC, RIB COVERS AND FASTENERS ARE PRE-PACKAGED WITH THE ROOF CURBS.
- F. WHEN FIELD CUTTING PANELS OR TRIM DO NOT USE ABRASIVE SAWS OR OTHER CUTTING METHODS WHICH PRODUCE HOT METAL PARTICLES AND/OR BURN THE CUT EDGES. THESE METHODS WILL DAMAGE THE PAINTED AND ALUMINUM COATED FINISH AND VOID ANY WARRANTIES. USE DOUBLE CUT SHEARS, NIBBLERS OR OTHER CUTTING DEVICES WHICH DO NOT PRODUCE HOT METAL PARTICLES OR BURNED EDGES.



DETAIL "A"



VIEW "A"

- DO NOT FASTEN OR ATTACH BACKER SUPPORT/CROSS CHANNELS TO PURLINS.
- BACKER SUPPORT AND CROSS CHANNELS ARE DESIGNED TO "FLOAT".

LIGHTWEIGHT ROOF CURB INSTALLATION DETAIL

STANDING SEAM ROOF

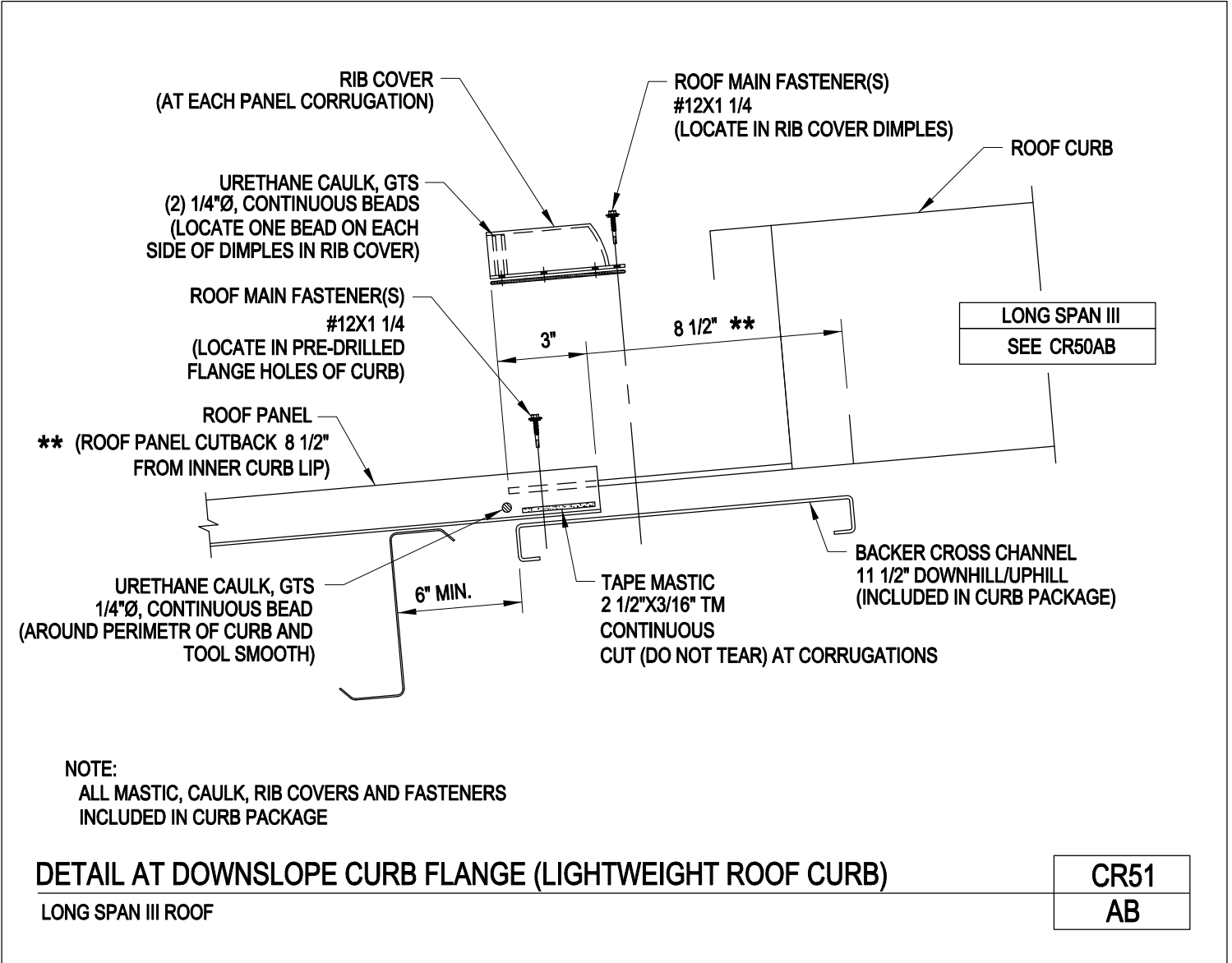
CR50
SA

[Download the DWG file by clicking here.](#)

Detail at Downslope Curb Flange (Lightweight Roof Curb)

Longspan III

CR51/AB



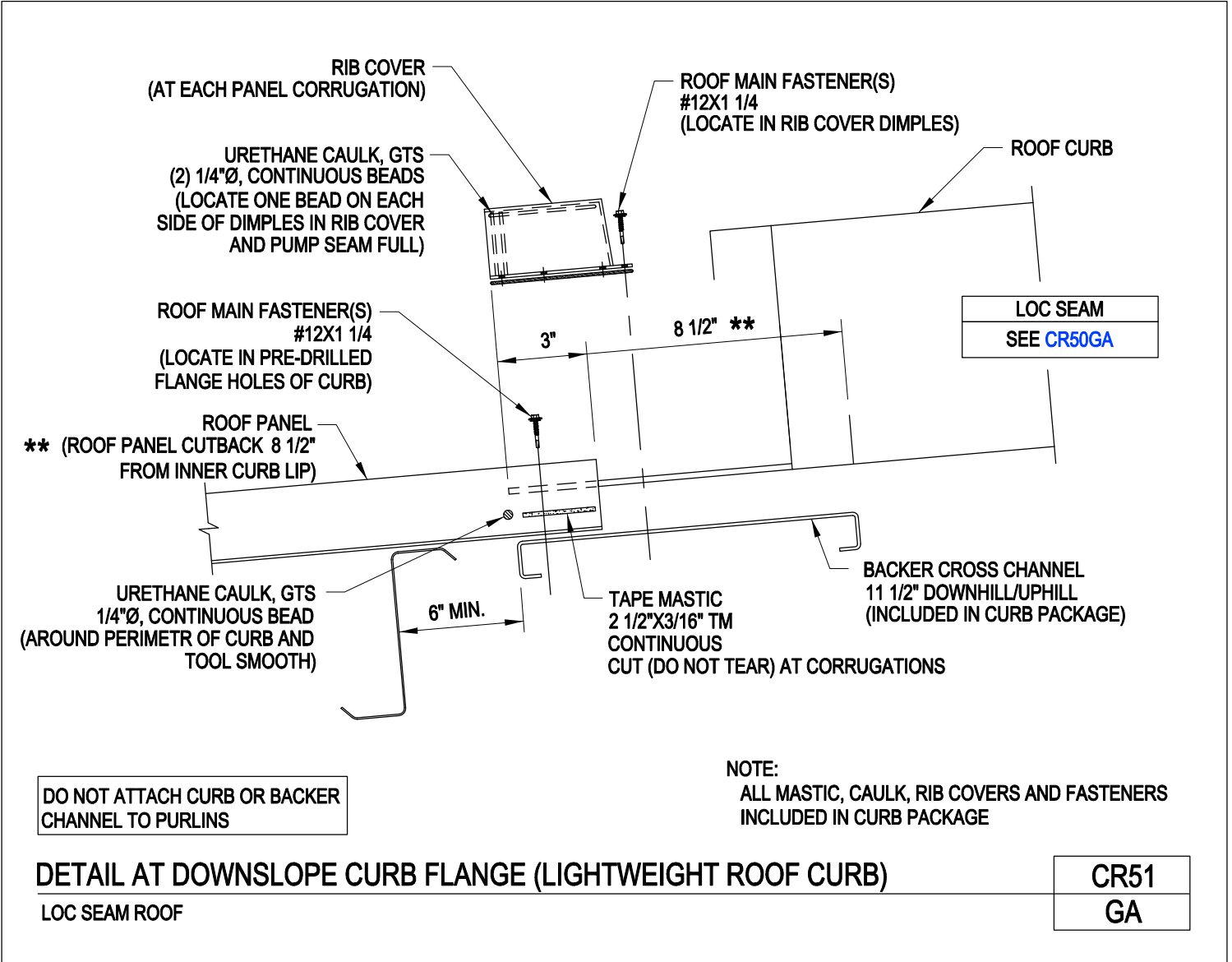
[Download the DWG file by clicking here.](#)

[To Section Index](#)

Detail at Downslope Curb Flange (Lightweight Roof Curb)

Loc Seam Panel

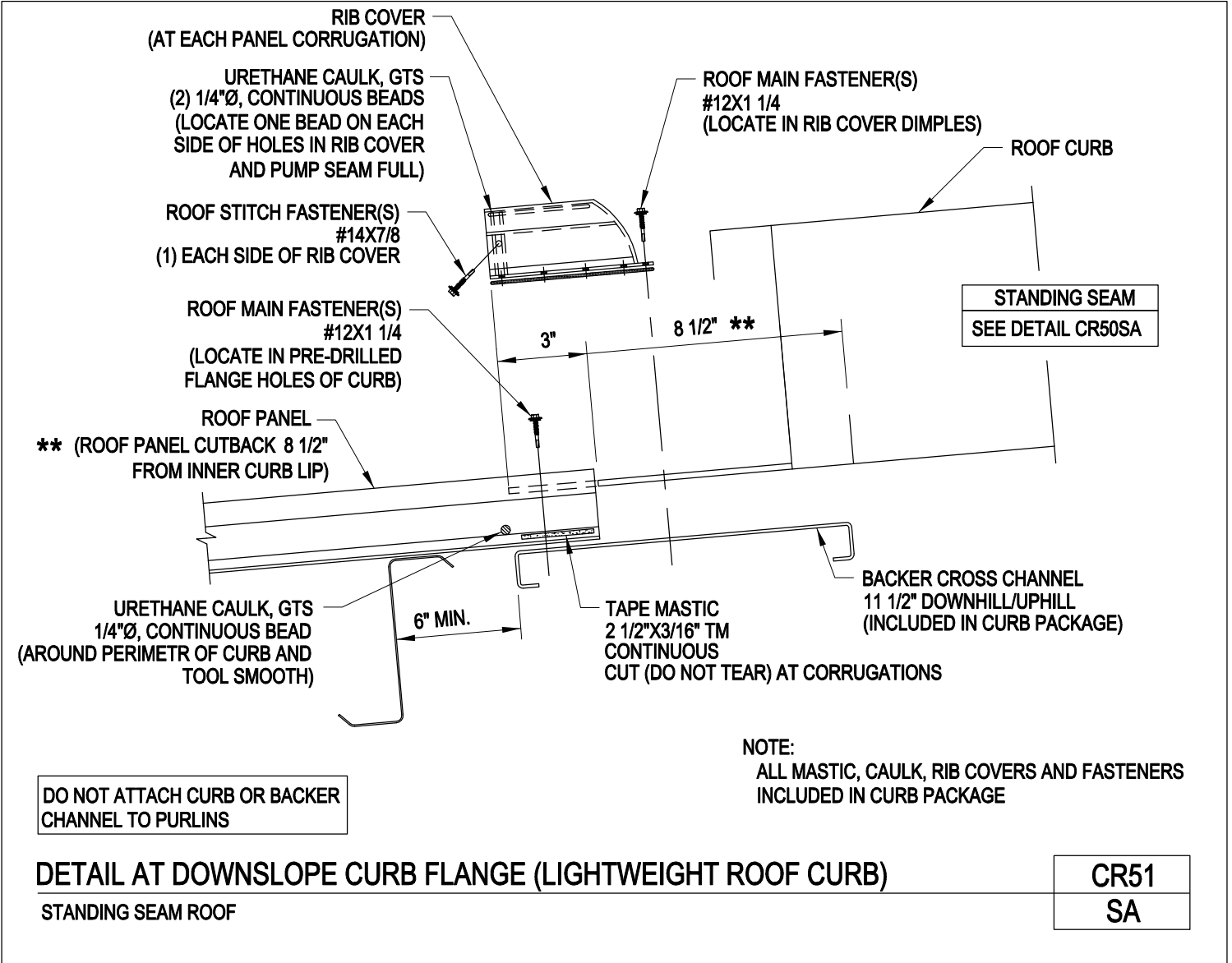
CR51/GA



[Download the DWG file by clicking here.](#)

[To Section Index](#)

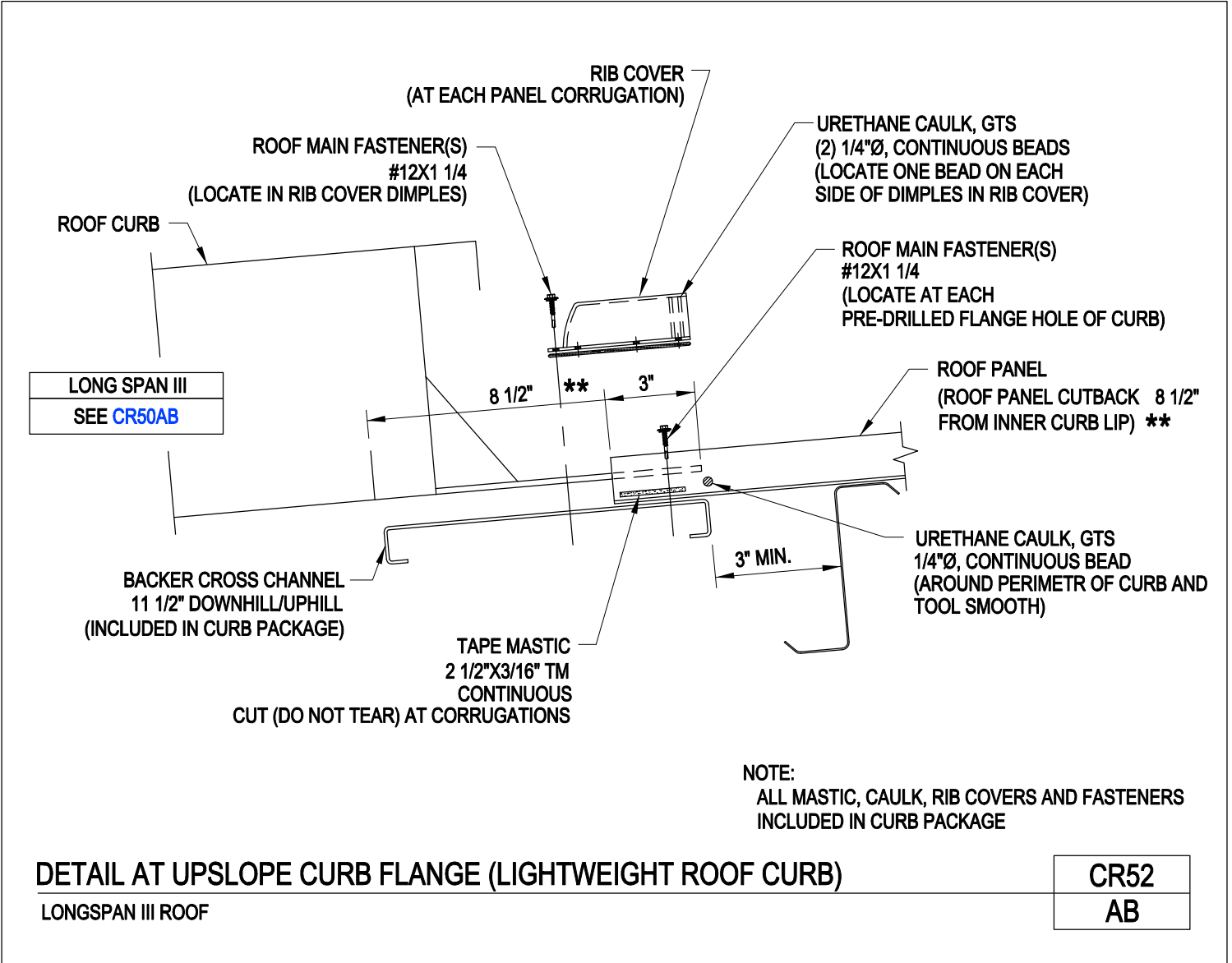
Detail at Downslope Curb Flange (Lightweight Roof Curb)
 Standing Seam Roof
 CR51/SA



[Download the DWG file by clicking here.](#)

[To Section Index](#)

Detail at Upslope Curb Flange (Lightweight Roof Curb)
 Longspan III
 CR52/AB



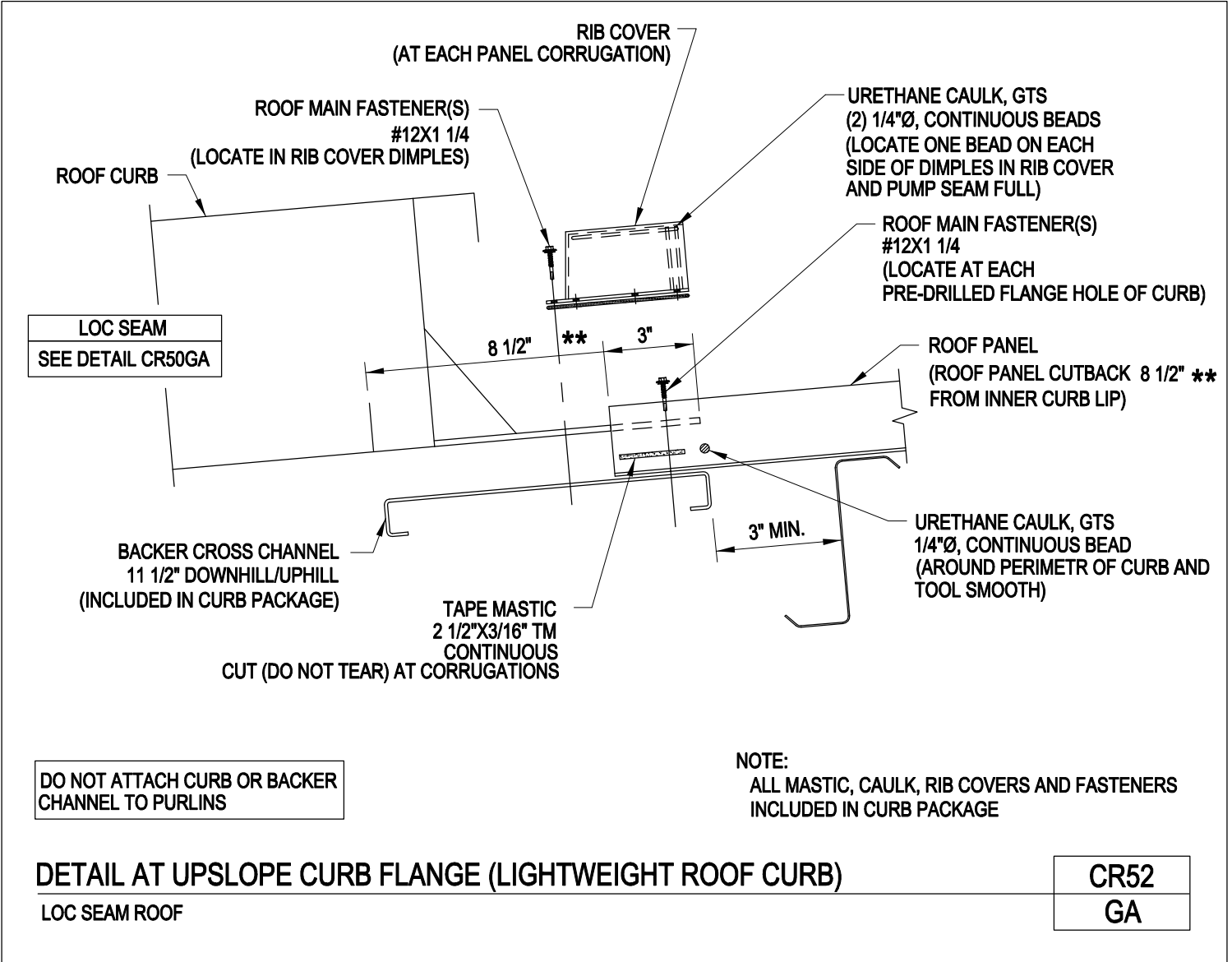
[Download the DWG file by clicking here.](#)

[To Section Index](#)

Detail at Upslope Curb Flange (Lightweight Roof Curb)

Loc Seam Panel

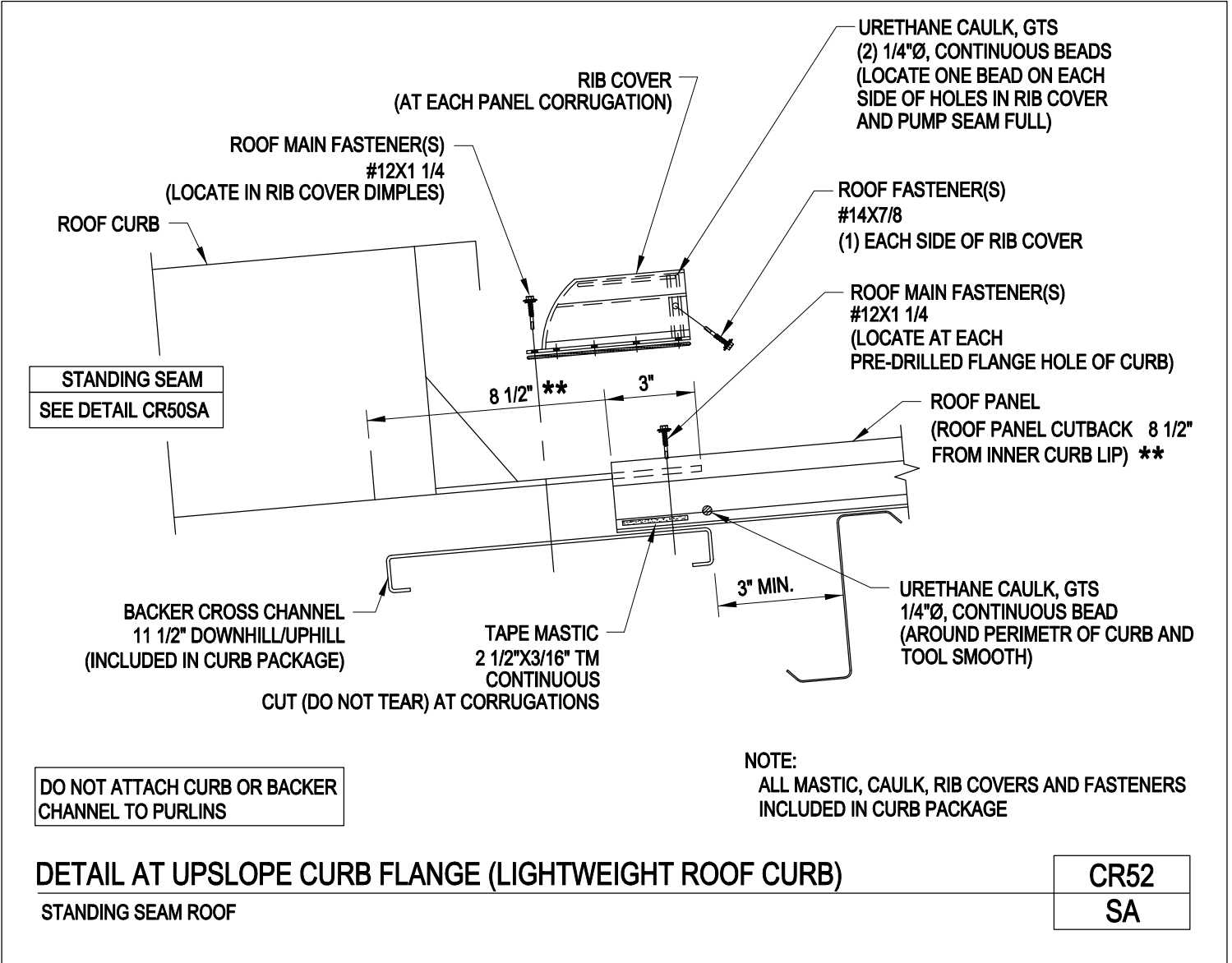
CR52/GA



[Download the DWG file by clicking here.](#)

[To Section Index](#)

Detail at Upslope Curb Flange (Lightweight Roof Curb)
 Standing Seam Roof
 CR52/SA



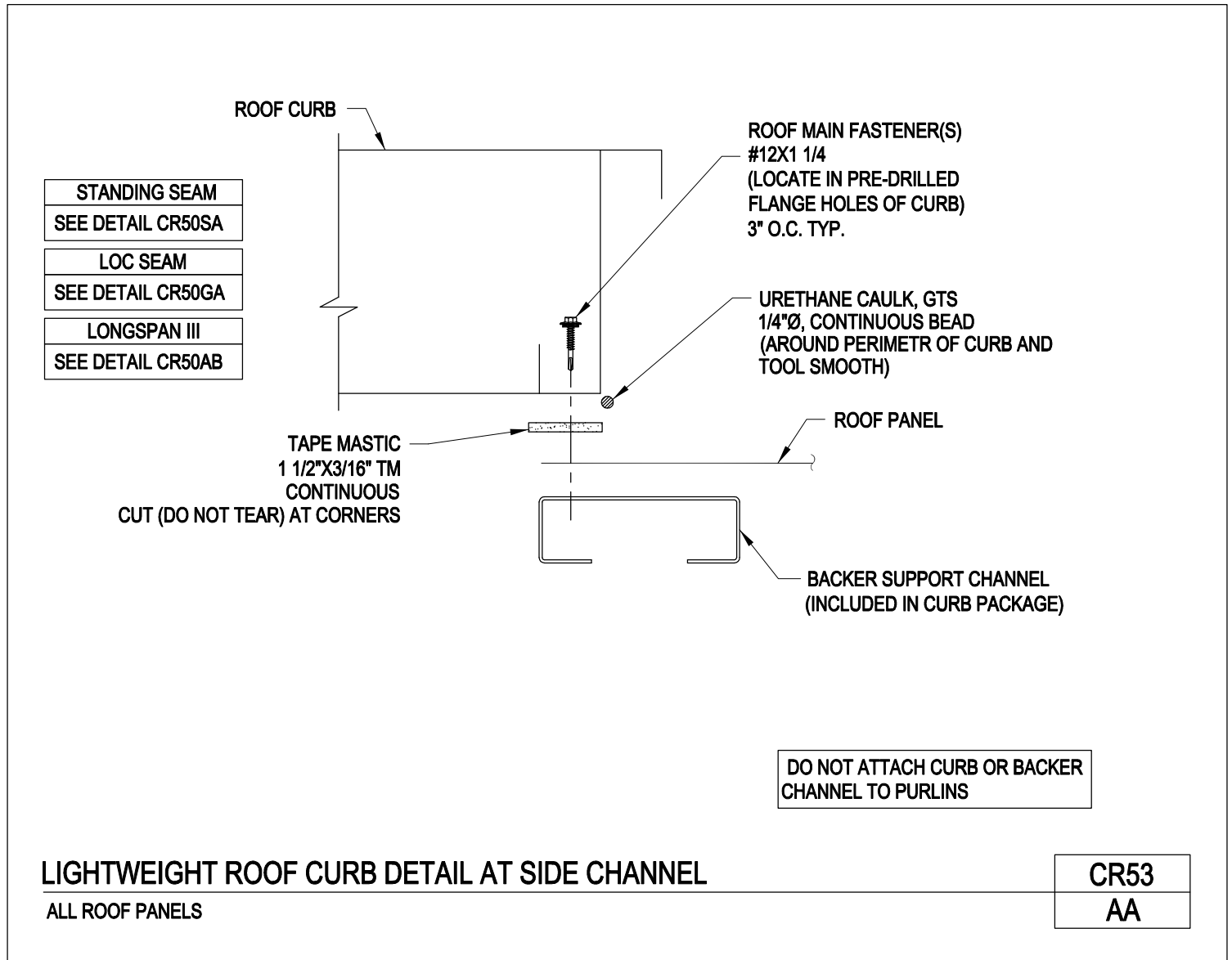
[Download the DWG file by clicking here.](#)

[To Section Index](#)

Lightweight Roof Curb Detail at Side Channel

All Roof Panels

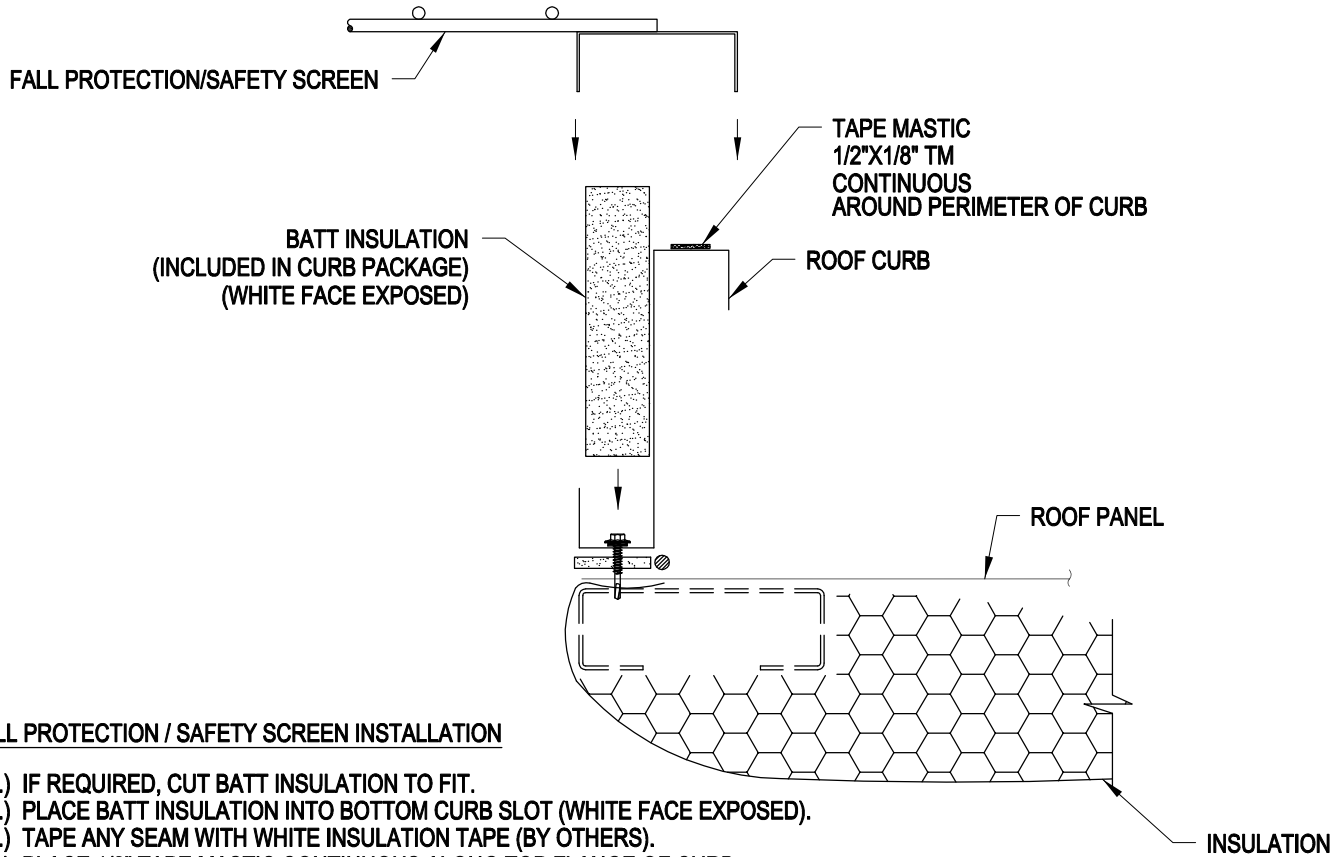
CR53/AA



[Download the DWG file by clicking here.](#)

[To Section Index](#)

Insulation and Safety Protection Installation
Lightweight Roof Curb
CR54/AA



FALL PROTECTION / SAFETY SCREEN INSTALLATION

- 1.) IF REQUIRED, CUT BATT INSULATION TO FIT.
- 2.) PLACE BATT INSULATION INTO BOTTOM CURB SLOT (WHITE FACE EXPOSED).
- 3.) TAPE ANY SEAM WITH WHITE INSULATION TAPE (BY OTHERS).
- 4.) PLACE 1/2" TAPE MASTIC CONTINUOUS ALONG TOP FLANGE OF CURB.
- 5.) PLACE SAFETY SCREEN OVER CURB, DO NOT FULLY SEAT SAFETY SCREEN AT THIS STEP.
- 6.) TUCK THE BATT INSULATION INTO CHANNEL OF SAFETY SCREEN.
- 7.) FULLY SEAT SAFETY SCREEN TO TOP OF CURB TO NEST INSULATION.

INSULATION AND SAFETY PROTECTION INSTALLATION

LIGHTWEIGHT ROOF CURB

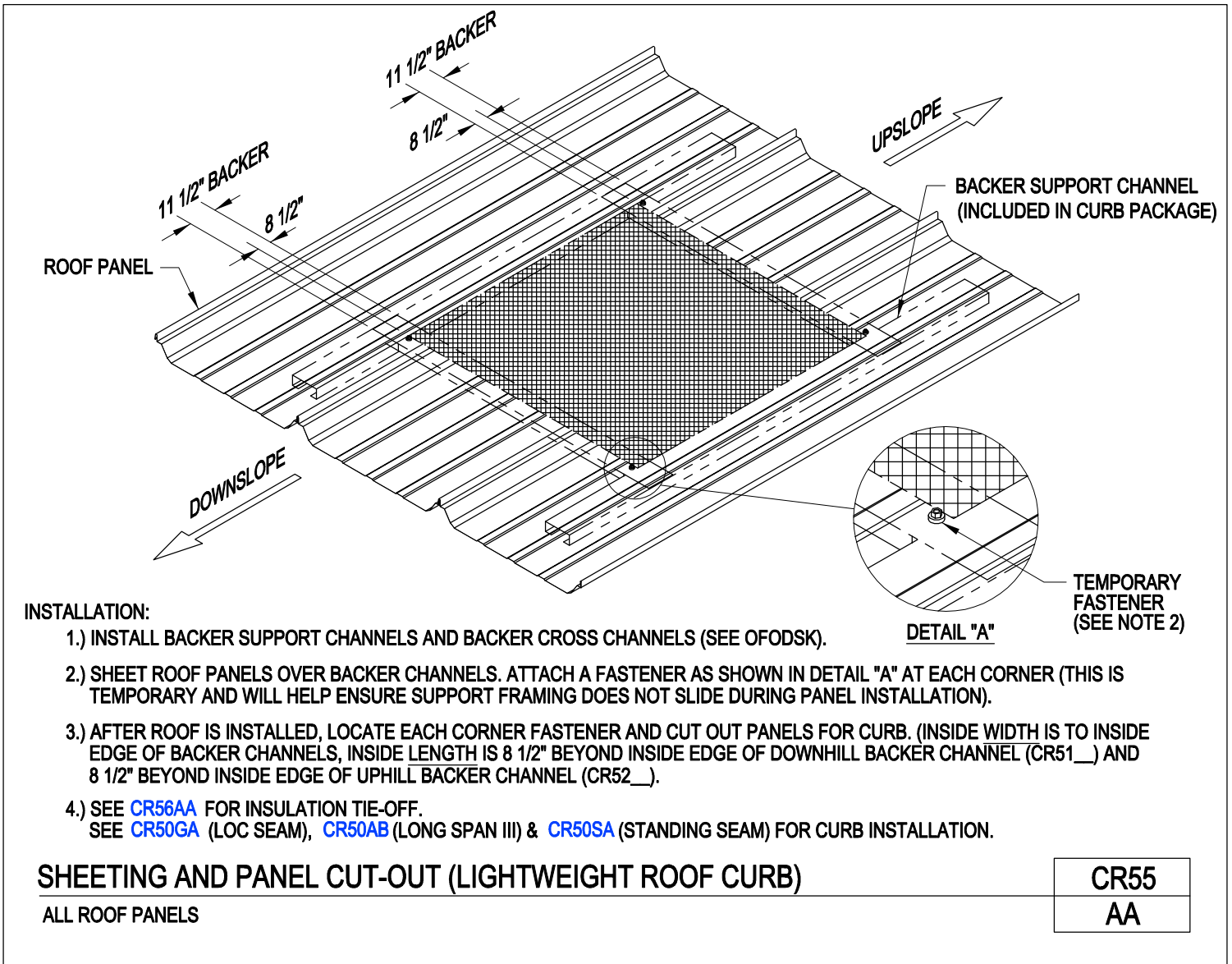
CR54
AA

[Download the DWG file by clicking here.](#)

Sheeting and Panel Cut-Out (Lightweight Roof Curb)

All Roof Panels

CR55/AA



INSTALLATION:

- 1.) INSTALL BACKER SUPPORT CHANNELS AND BACKER CROSS CHANNELS (SEE OFODSK).
- 2.) SHEET ROOF PANELS OVER BACKER CHANNELS. ATTACH A FASTENER AS SHOWN IN DETAIL "A" AT EACH CORNER (THIS IS TEMPORARY AND WILL HELP ENSURE SUPPORT FRAMING DOES NOT SLIDE DURING PANEL INSTALLATION).
- 3.) AFTER ROOF IS INSTALLED, LOCATE EACH CORNER FASTENER AND CUT OUT PANELS FOR CURB. (INSIDE WIDTH IS TO INSIDE EDGE OF BACKER CHANNELS, INSIDE LENGTH IS 8 1/2" BEYOND INSIDE EDGE OF DOWNHILL BACKER CHANNEL (CR51_) AND 8 1/2" BEYOND INSIDE EDGE OF UPHILL BACKER CHANNEL (CR52_).
- 4.) SEE [CR56AA](#) FOR INSULATION TIE-OFF.
SEE [CR50GA](#) (LOC SEAM), [CR50AB](#) (LONG SPAN III) & [CR50SA](#) (STANDING SEAM) FOR CURB INSTALLATION.

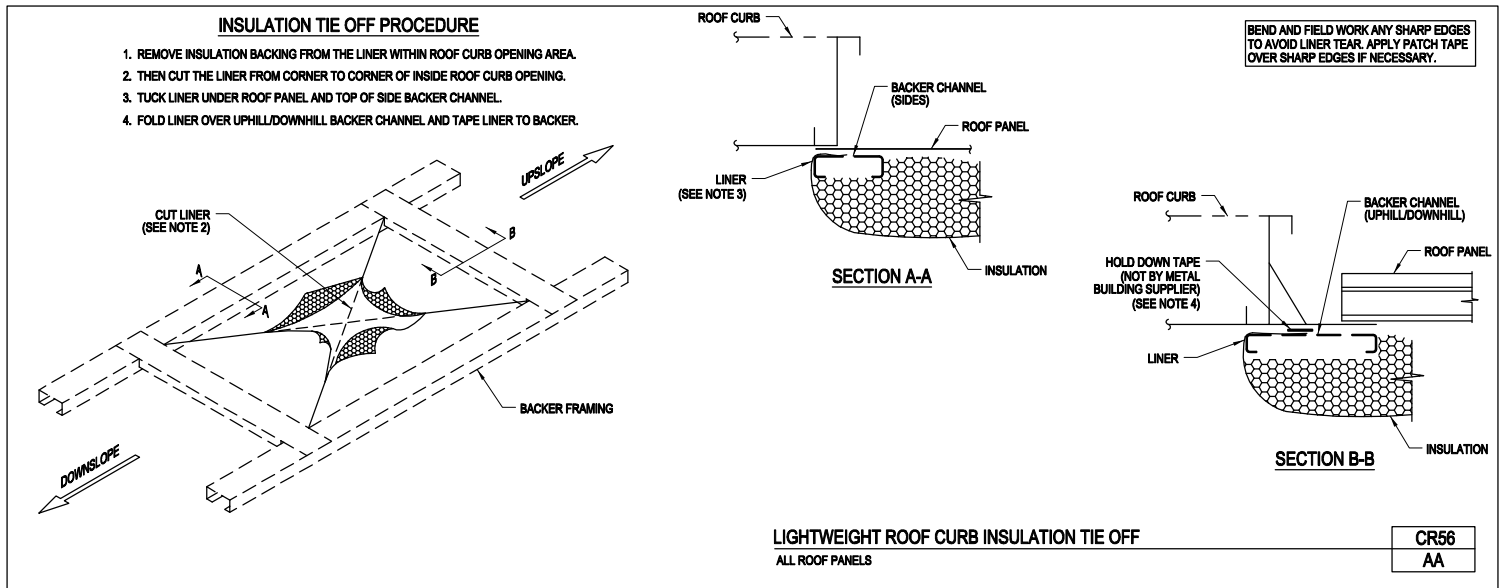
SHEETING AND PANEL CUT-OUT (LIGHTWEIGHT ROOF CURB)

CR55
AA

[Download the DWG file by clicking here.](#)

[To Section Index](#)

Lightweight Roof Curb Insulation Tie Off
All Roof Panels
CR56/AA

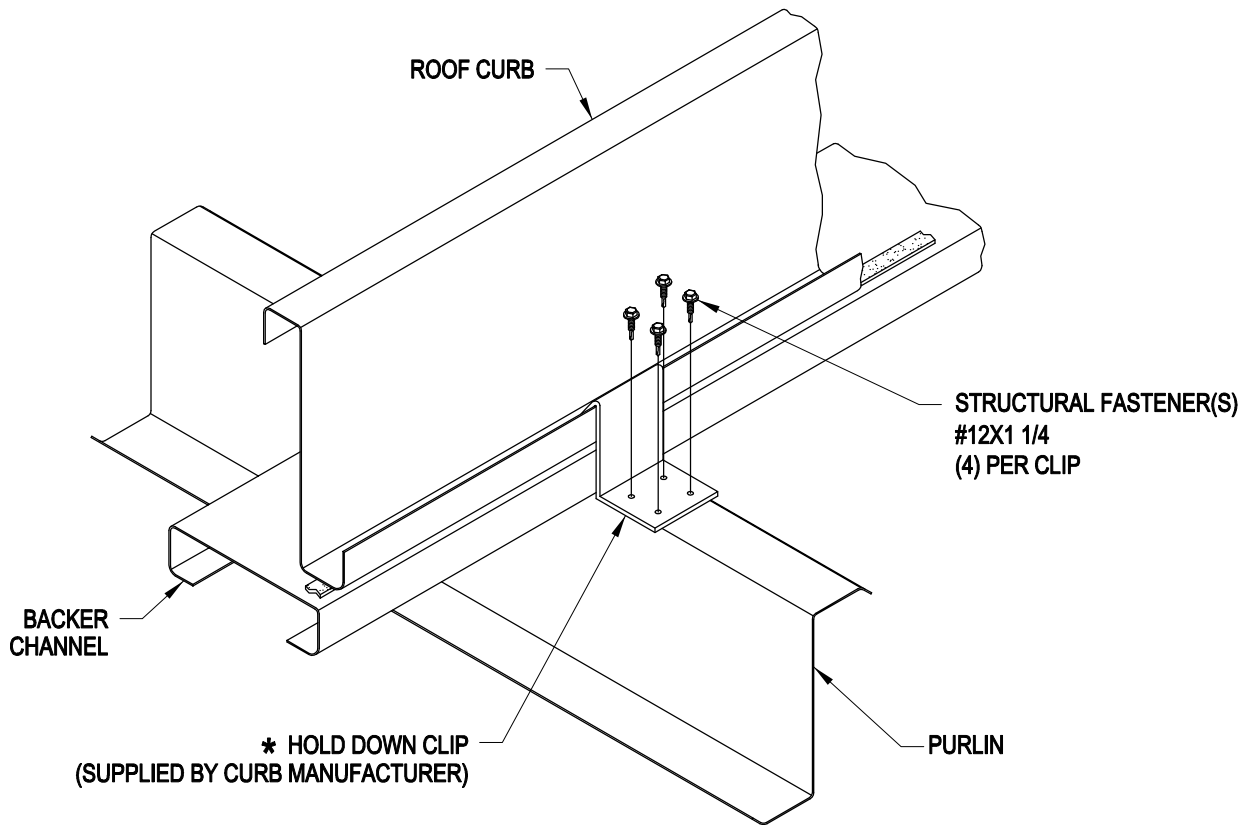


[Download the DWG file by clicking here.](#)

[To Section Index](#)

Hold Down Clip Detail
Lightweight Roof Curbs
CR58/AA

INSULATION NOT SHOWN FOR CLARITY



* CENTER HOLD DOWN CLIP ON TOP FLANGE OF PURLIN

HOLD DOWN CLIP DETAIL
LIGHTWEIGHT ROOF CURB

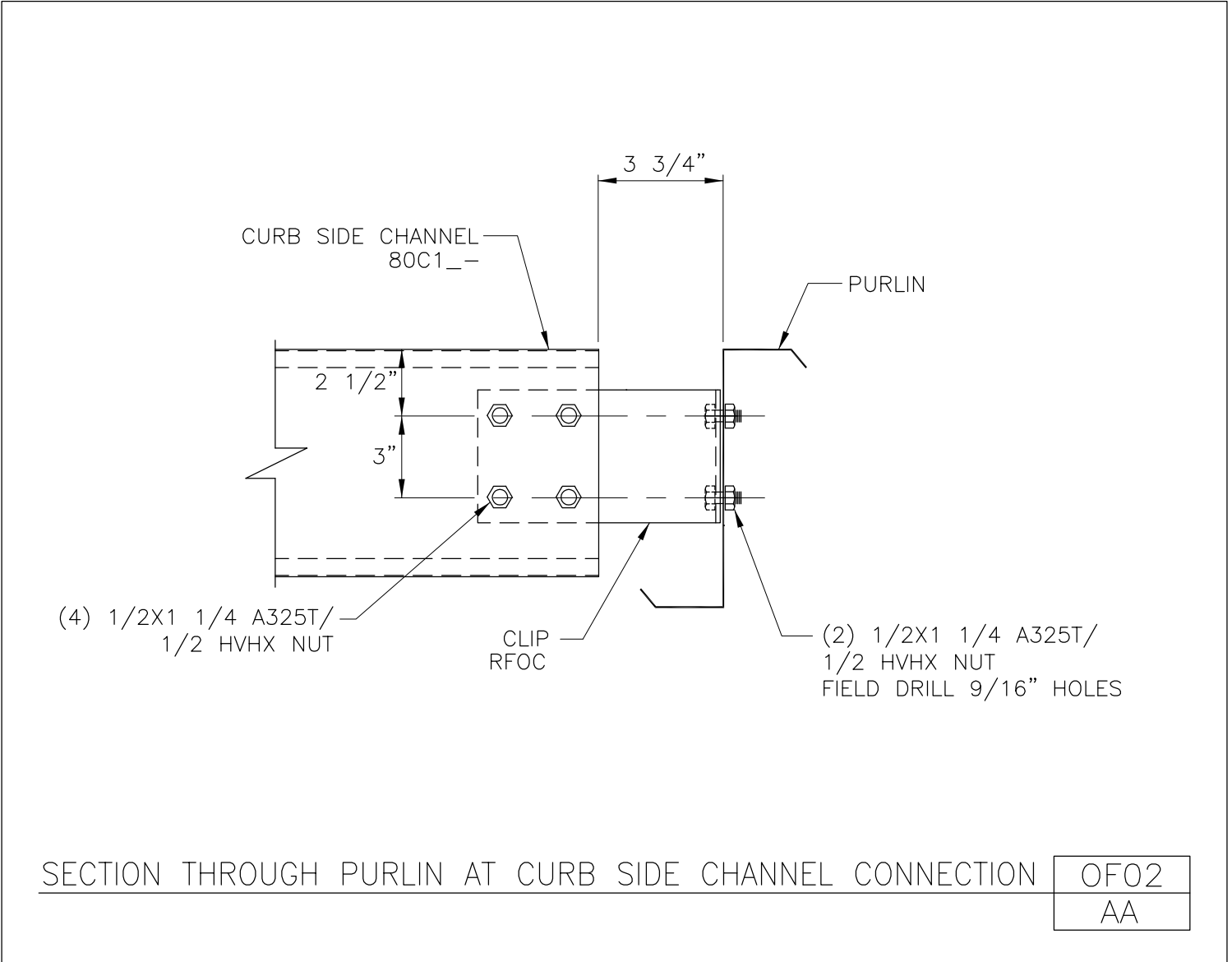
CR58
AA

[Download the DWG file by clicking here.](#)

[To Section Index](#)

Section Through Purlin at Curb Side Channel Connection

OF02/AA



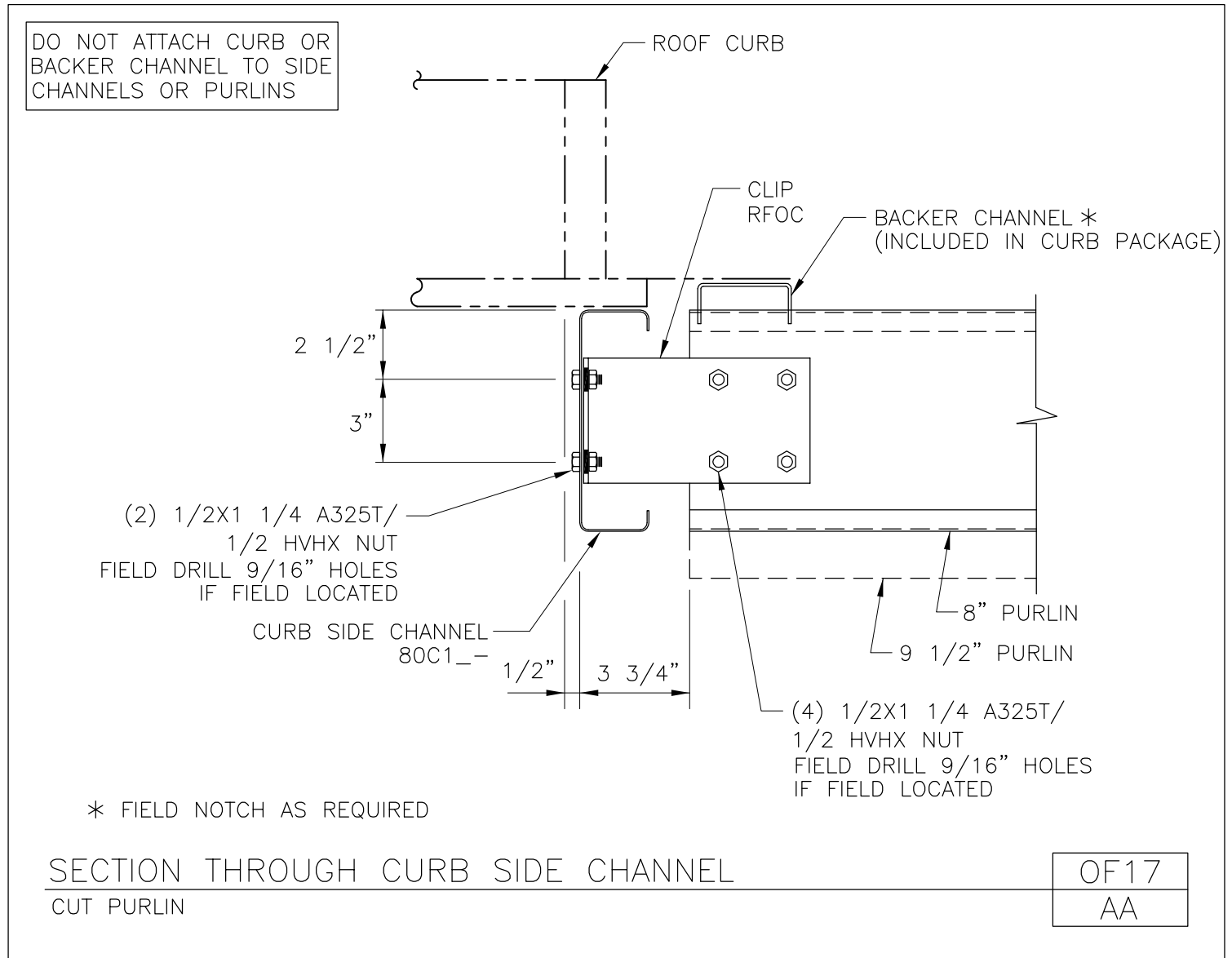
[Download the DWG file by clicking here.](#)

[To Section Index](#)

Section Through Curb Side Channel

Cut Purlin

OF17/AA



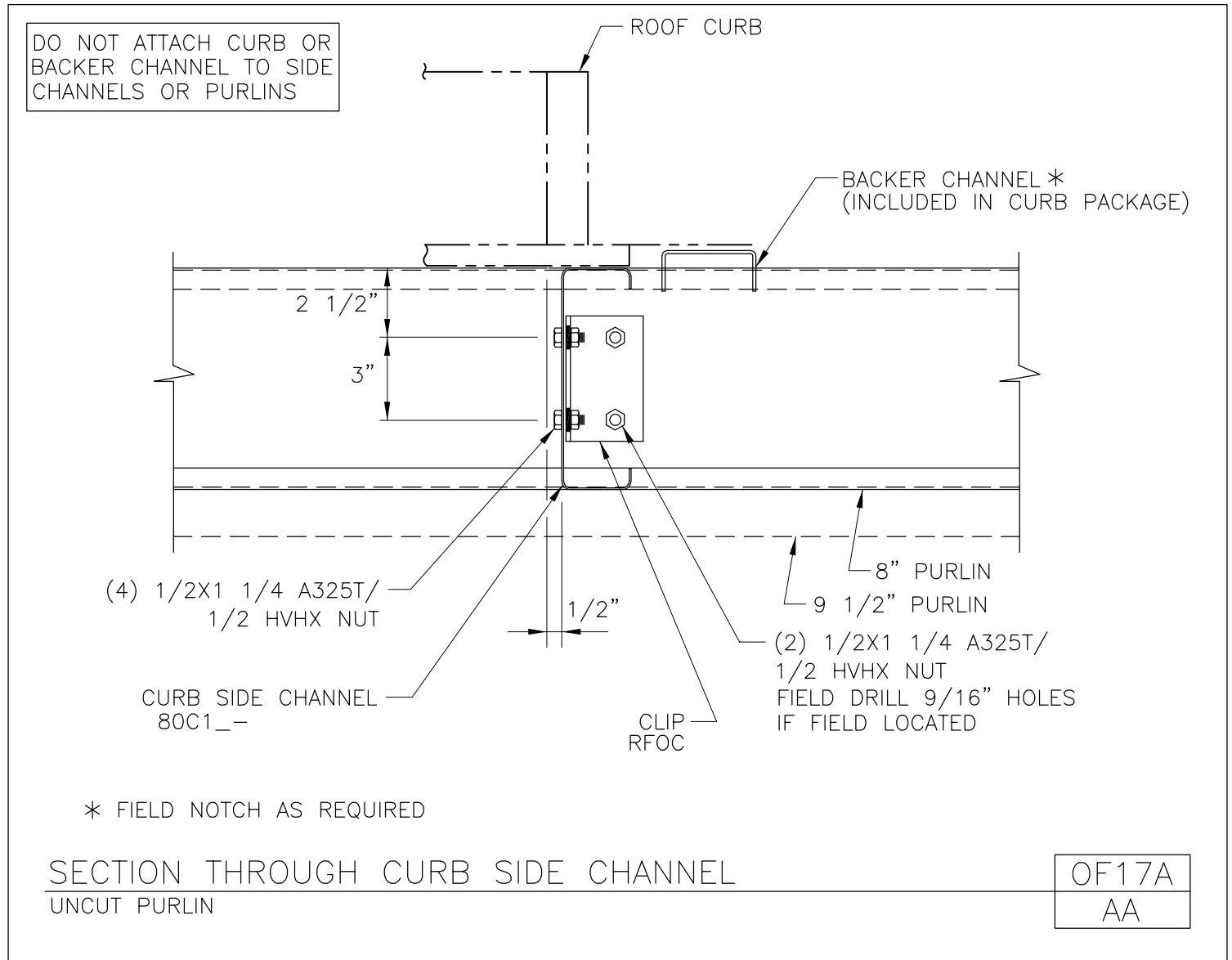
[Download the DWG file by clicking here.](#)

[To Section Index](#)

Section Through Curb Side Channel

Uncut Purlin

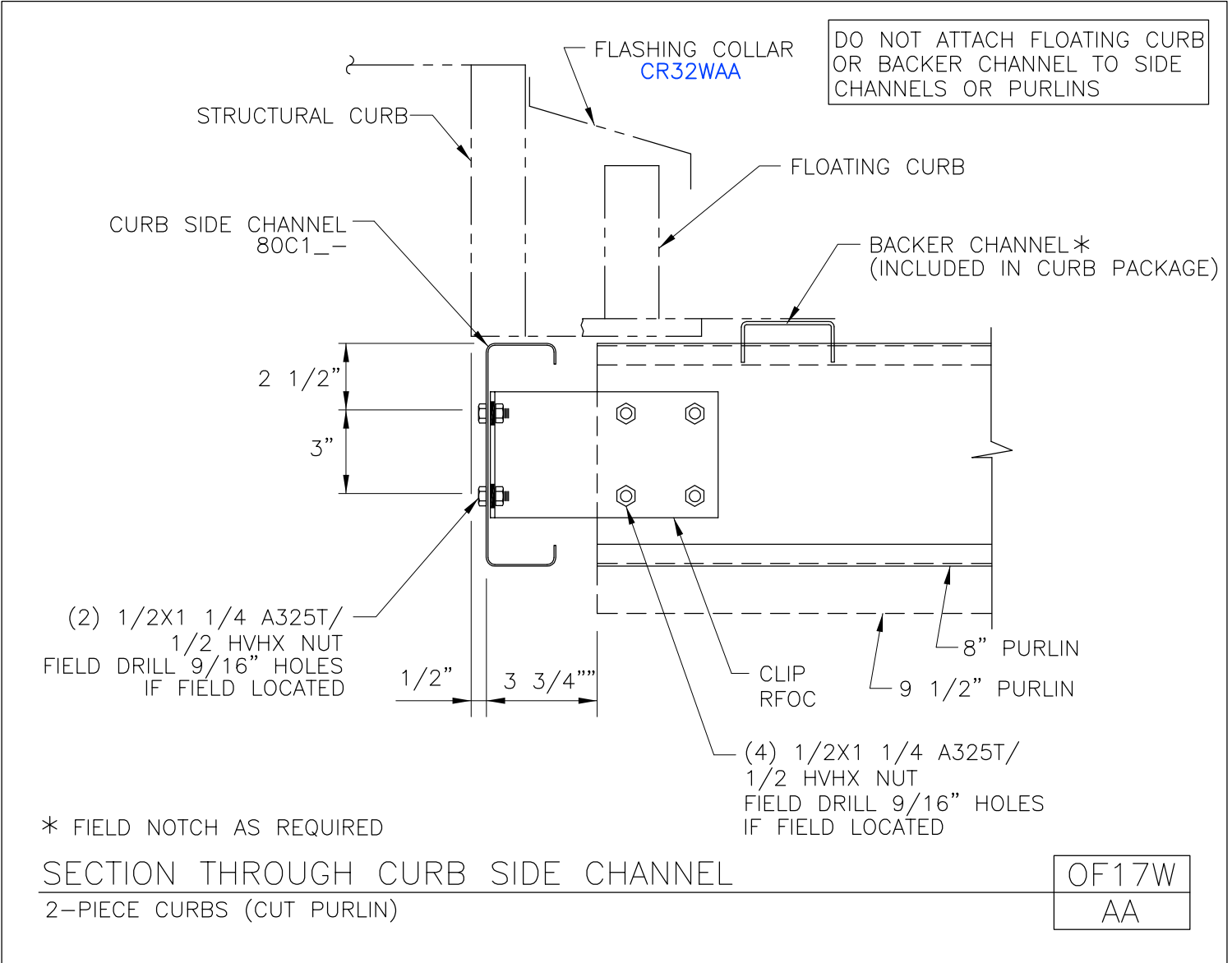
OF17A/AA



[Download the DWG file by clicking here.](#)

[To Section Index](#)

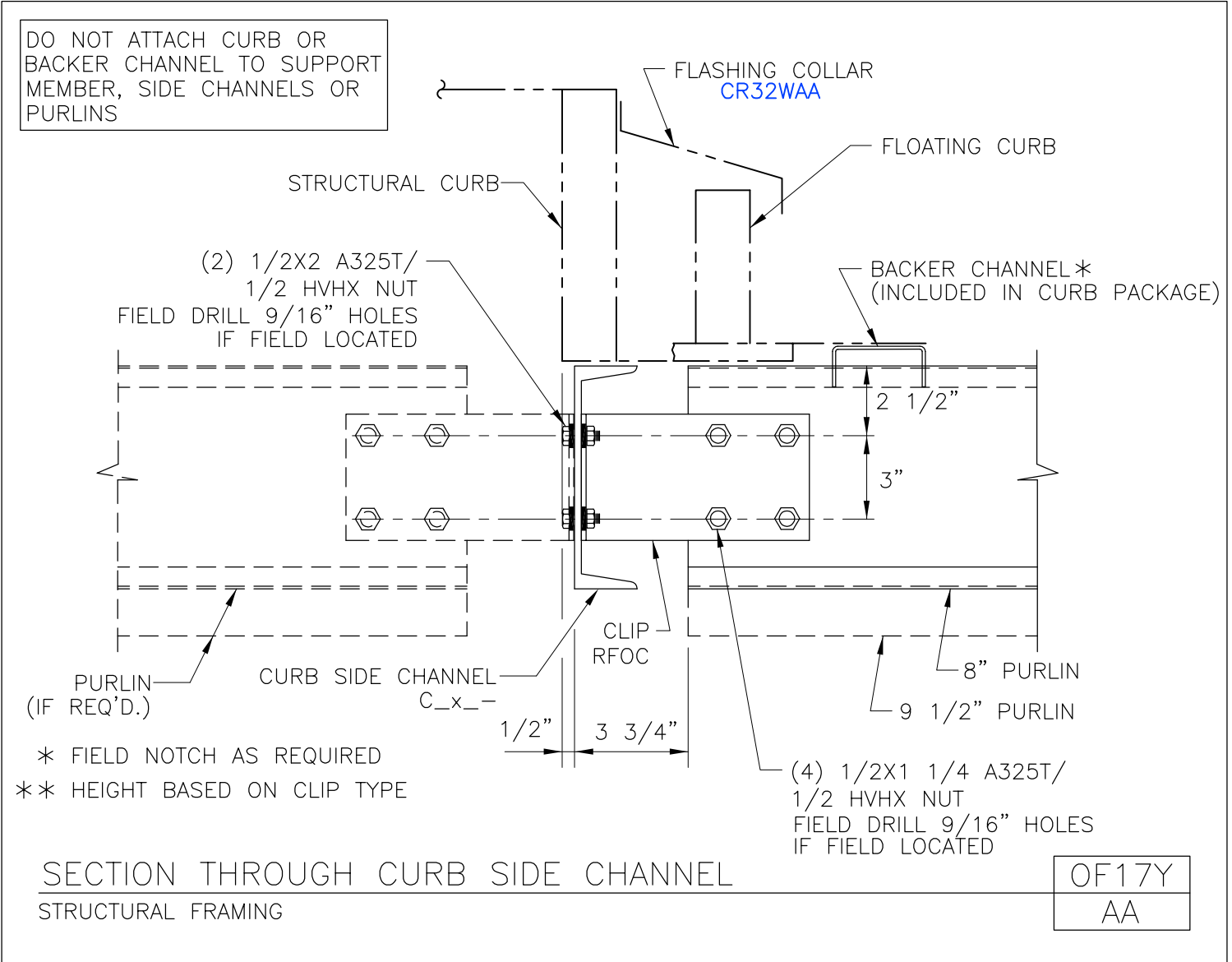
Section Through Curb Side Channel
 2-Piece Curbs (Cut Purlin)
 OF17W/AA



[Download the DWG file by clicking here.](#)

[To Section Index](#)

Section Through Curb Side Channel
Structural Framing
OF17Y/AA

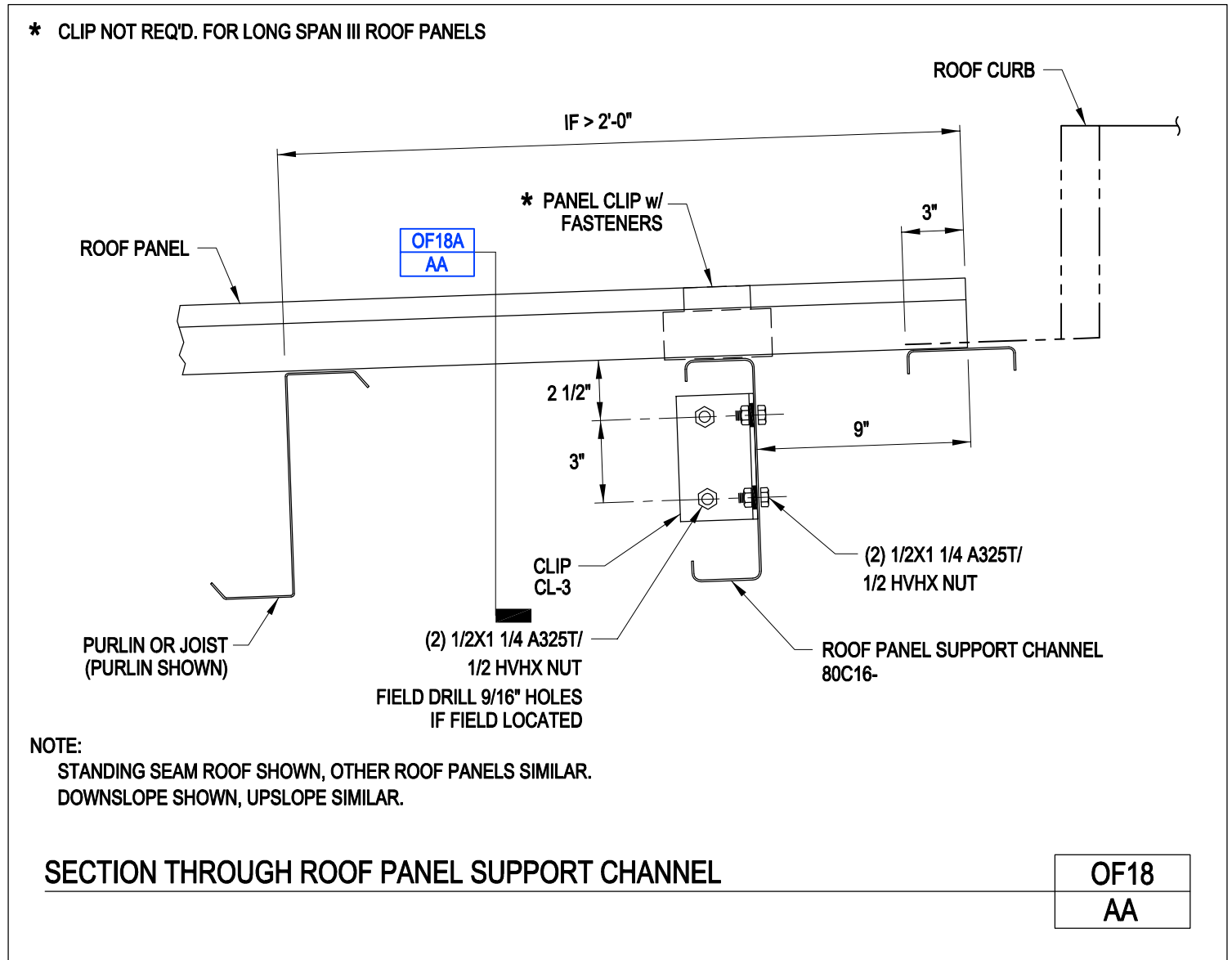


[Download the DWG file by clicking here.](#)

[To Section Index](#)

Section Through Roof Panel Support Channel

OF18/AA



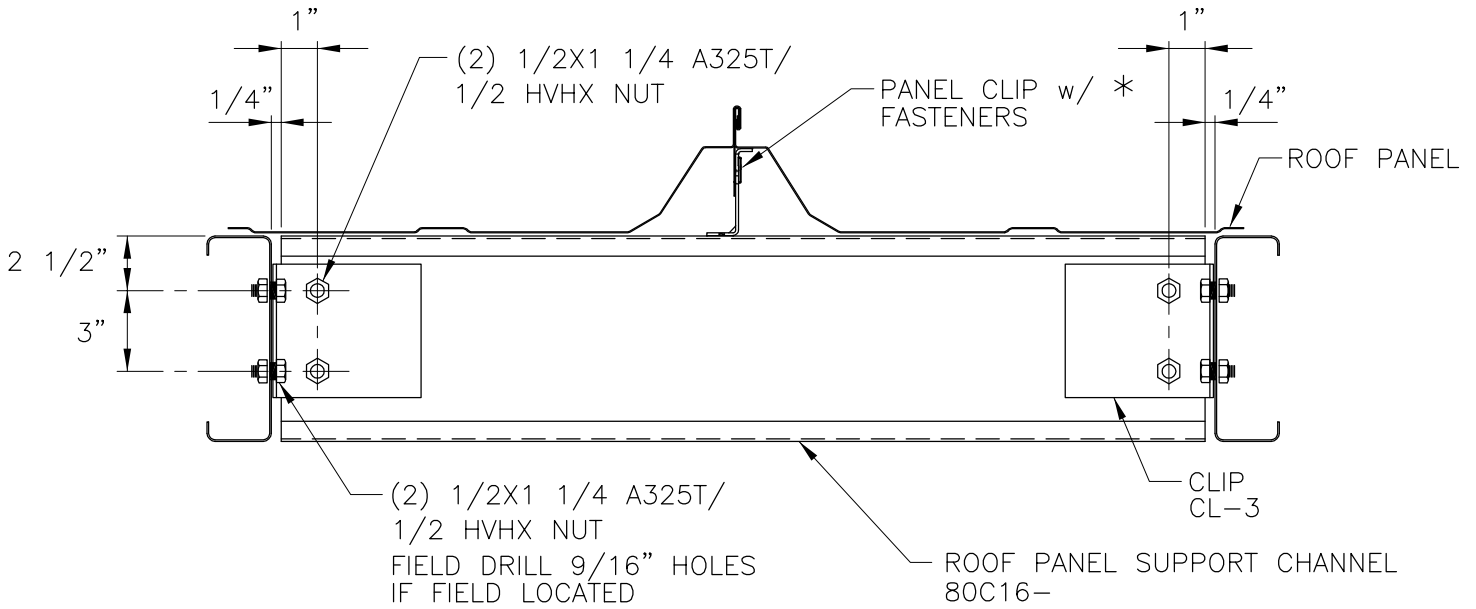
[Download the DWG file by clicking here.](#)

[To Section Index](#)

Section at Roof Panel Support Channel

OF18A/AA

* CLIP NOT REQ'D. FOR LONG SPAN III ROOF PANELS



NOTE:
STANDING SEAM ROOF SHOWN, OTHER ROOF PANELS SIMILAR.

SECTION AT ROOF PANEL SUPPORT CHANNEL

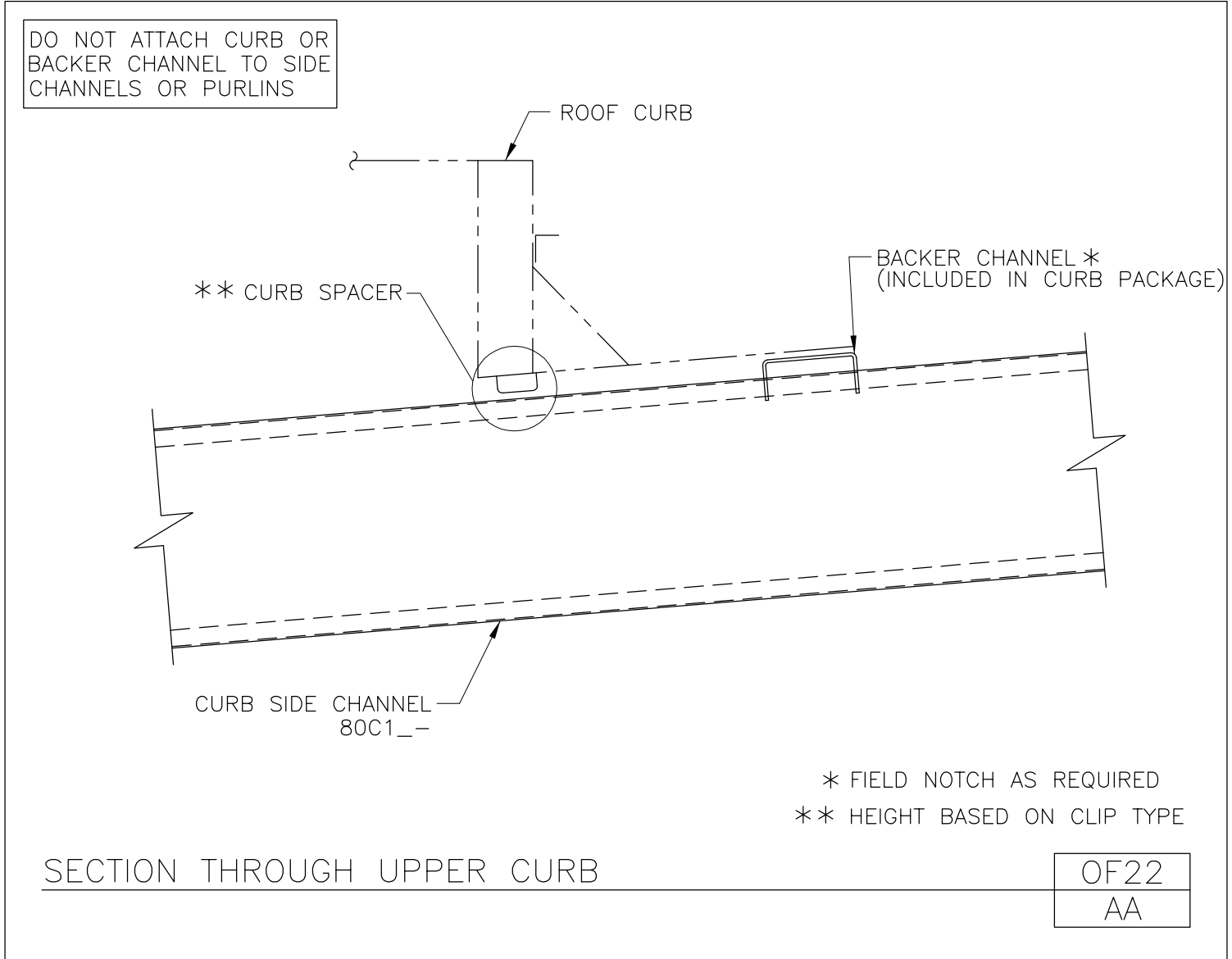
OF18A
AA

[Download the DWG file by clicking here.](#)

[To Section Index](#)

Section Through Upper Curb

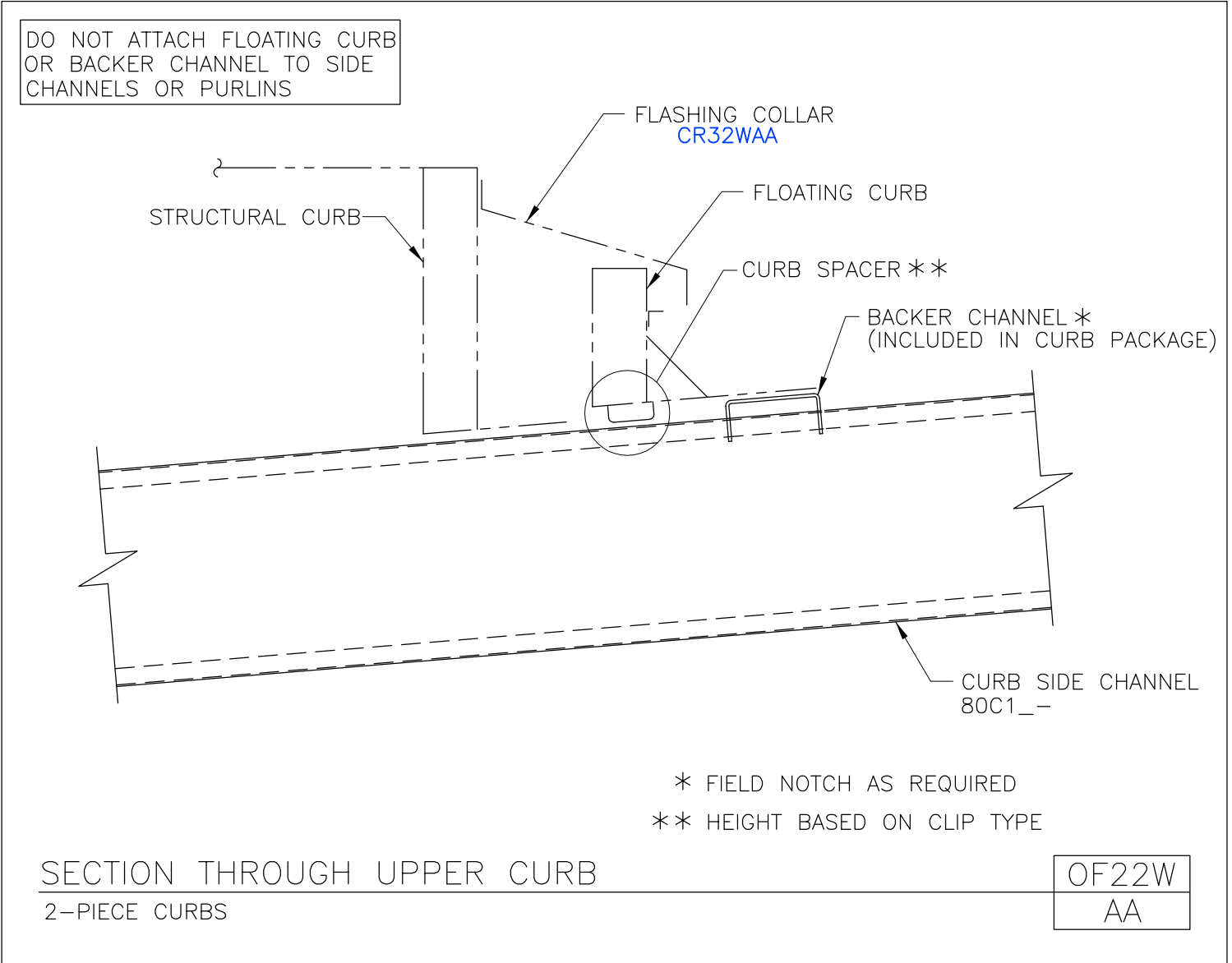
OF22/AA



[Download the DWG file by clicking here.](#)

[To Section Index](#)

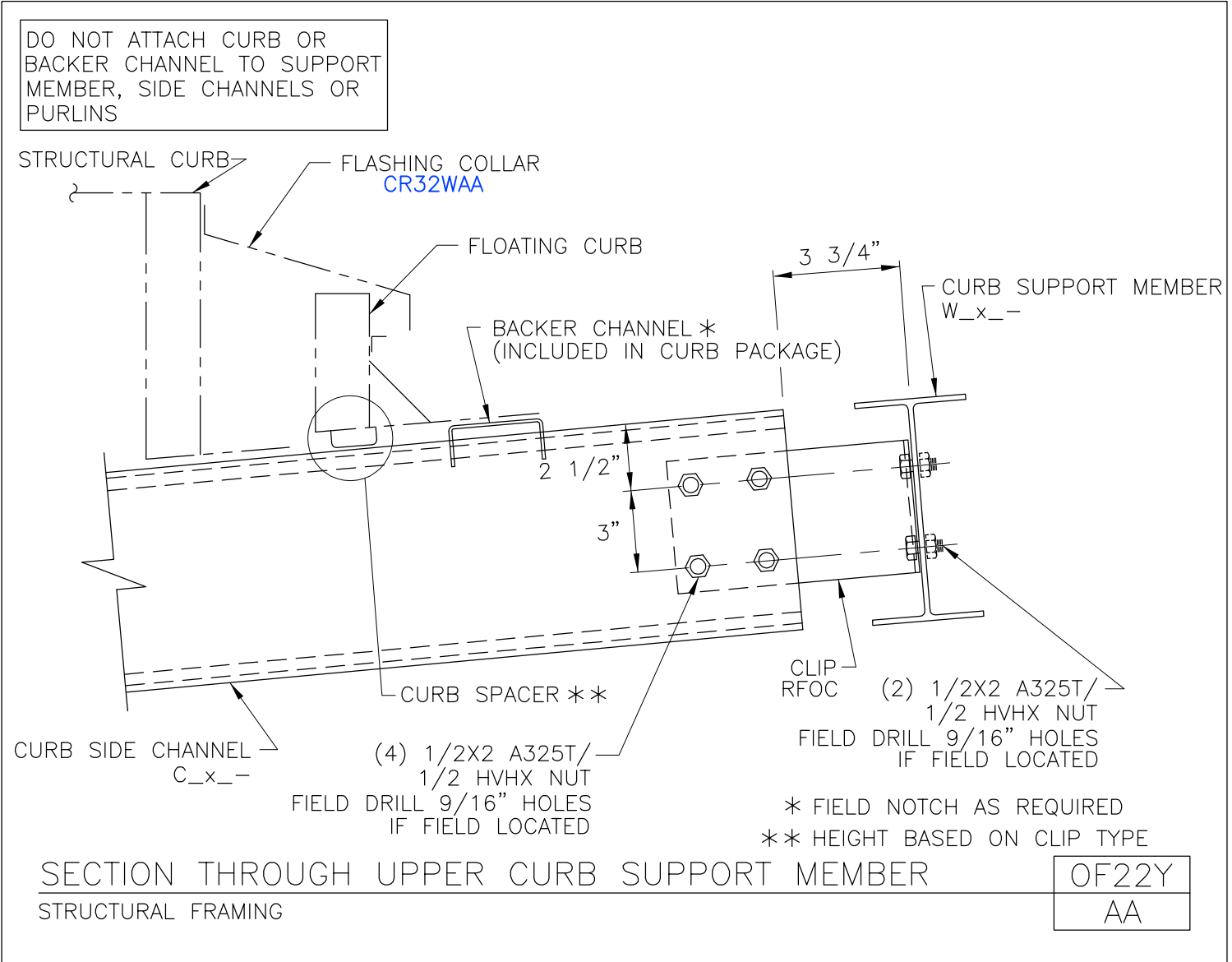
Section Through Upper Curb
2-Piece Curbs
OF22W/AA



[Download the DWG file by clicking here.](#)

[To Section Index](#)

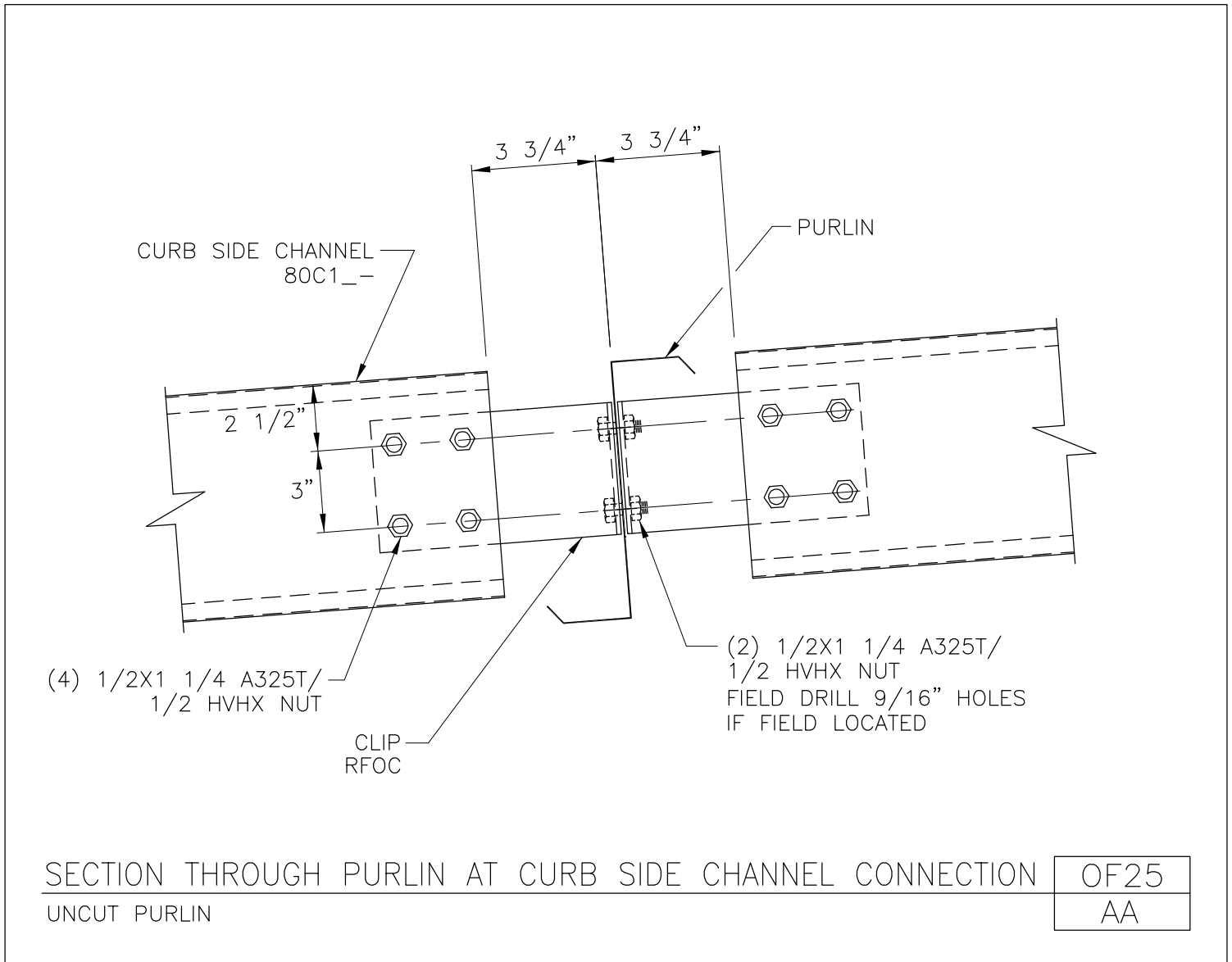
Section Through Upper Curb Support Member
Structural Framing
OF22Y/AA



[Download the DWG file by clicking here.](#)

[To Section Index](#)

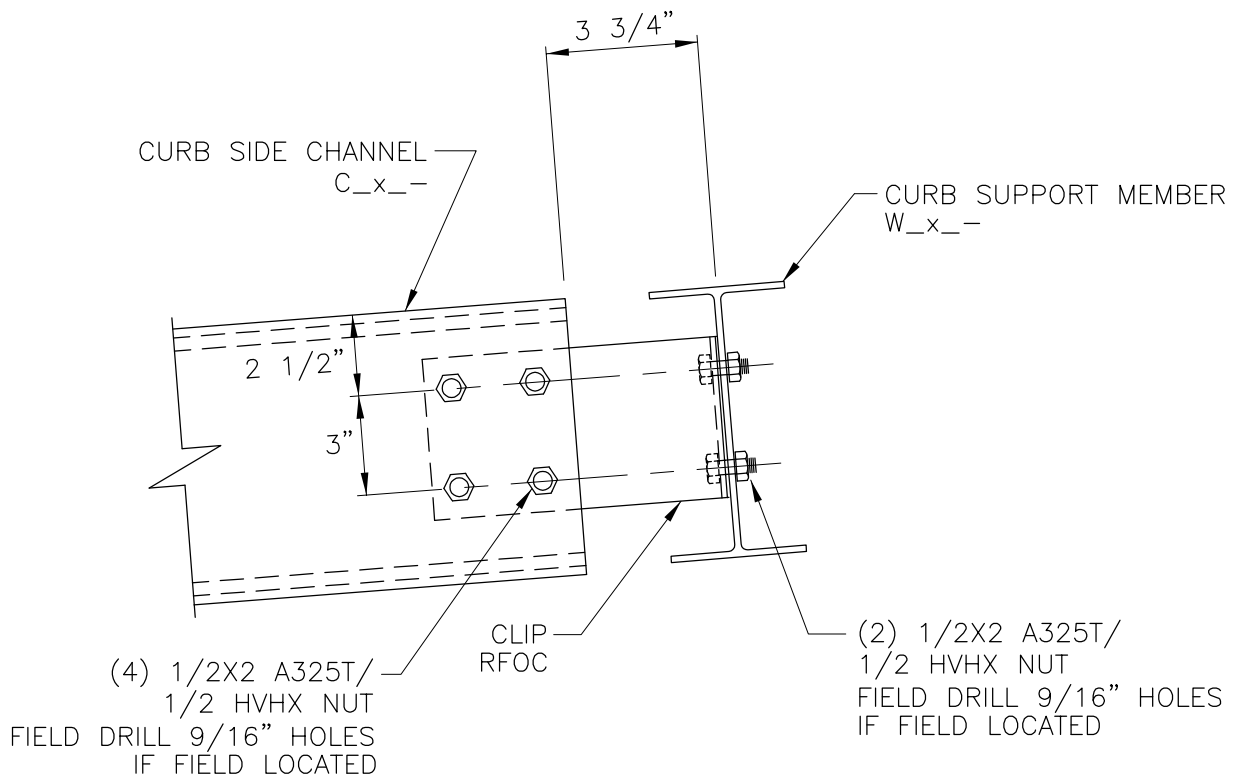
Section Through Purlin at Curb Side Channel Connection
Uncut Purlin
OF25/AA



[Download the DWG file by clicking here.](#)

[To Section Index](#)

Section Through Support Member at Curb Side Channel Connection
Structural Framing
OF25Y/AA



SECTION THROUGH SUPPORT MEMBER AT CURB SIDE CHANNEL CONNECTION OF25Y
STRUCTURAL FRAMING AA

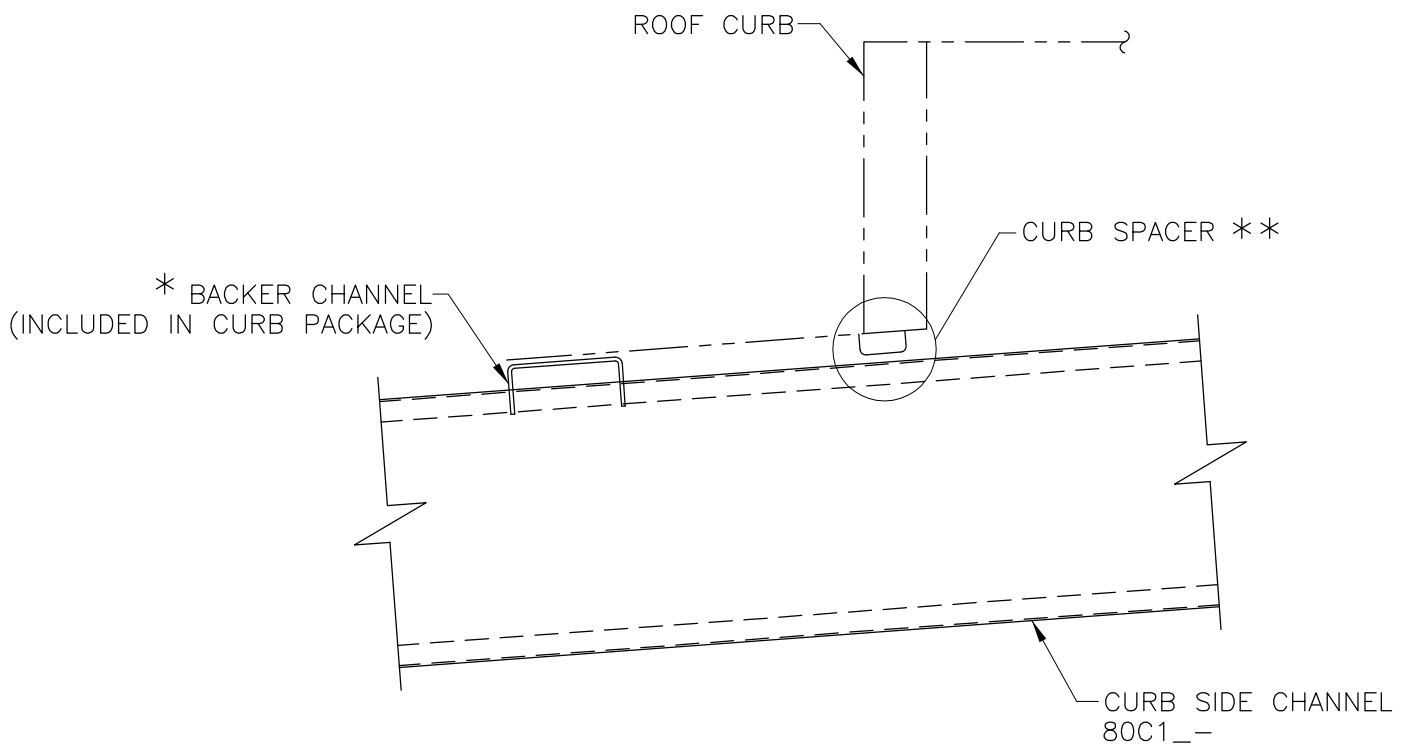
[Download the DWG file by clicking here.](#)

[To Section Index](#)

Section Through Lower Curb

OF27/AA

DO NOT ATTACH CURB OR
BACKER CHANNEL TO SIDE
CHANNELS OR PURLINS



* FIELD NOTCH AS REQUIRED
** HEIGHT BASED ON CLIP TYPE

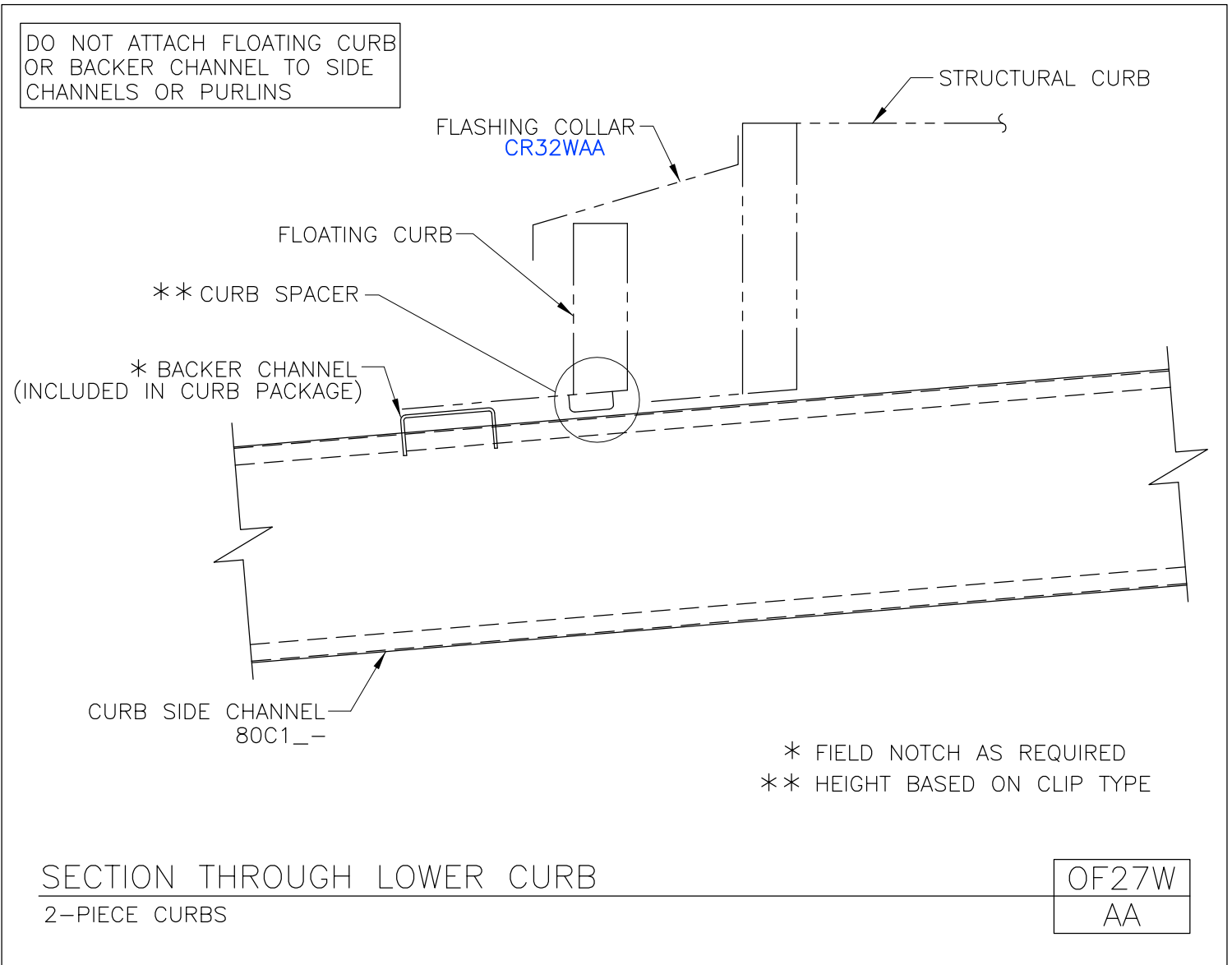
SECTION THROUGH LOWER CURB

OF27
AA

[Download the DWG file by clicking here.](#)

[To Section Index](#)

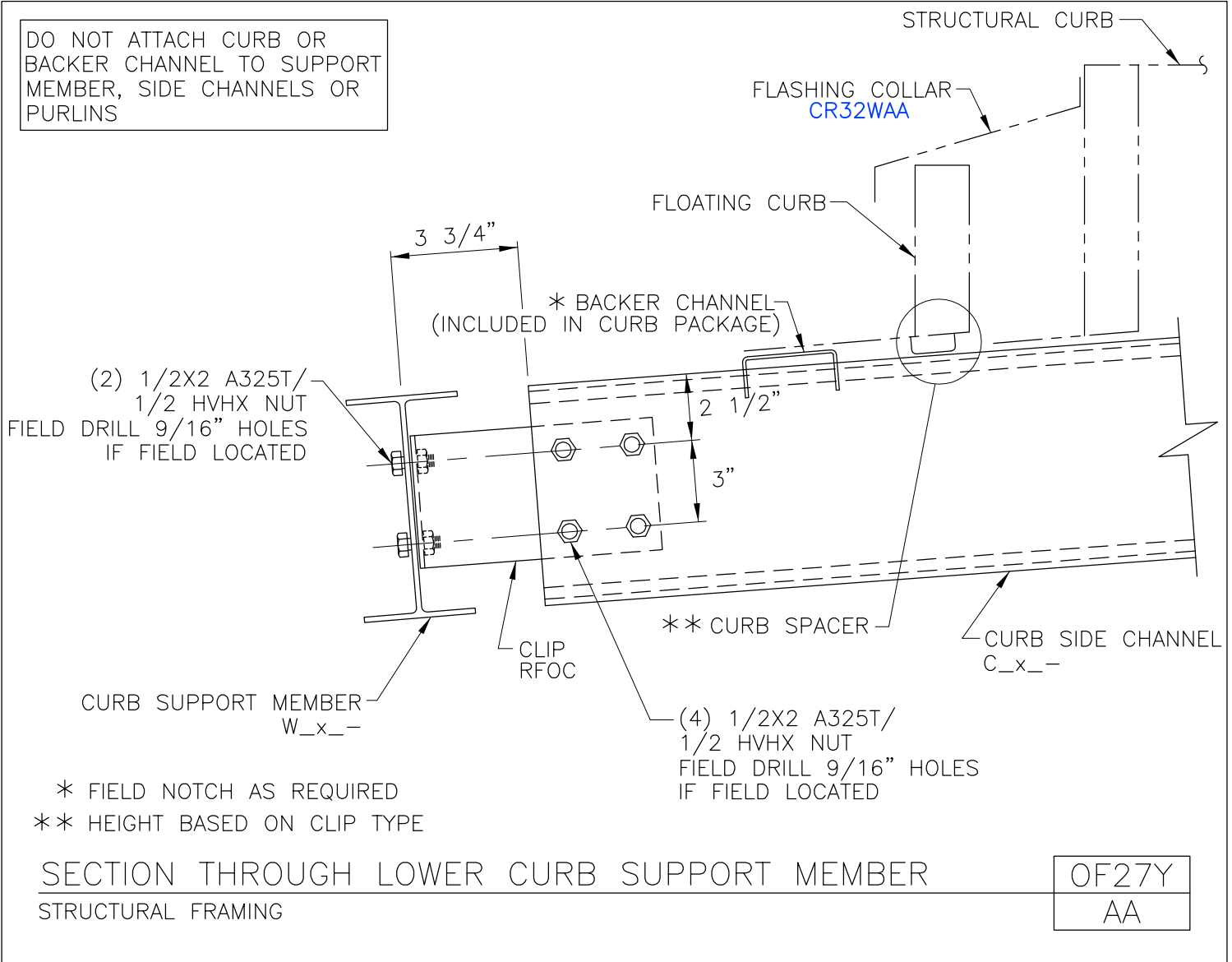
Section Through Lower Curb
2-Piece Curbs
OF27W/AA



[Download the DWG file by clicking here.](#)

[To Section Index](#)

Section Through Lower Curb Support Member
Structural Framing
OF27Y/AA



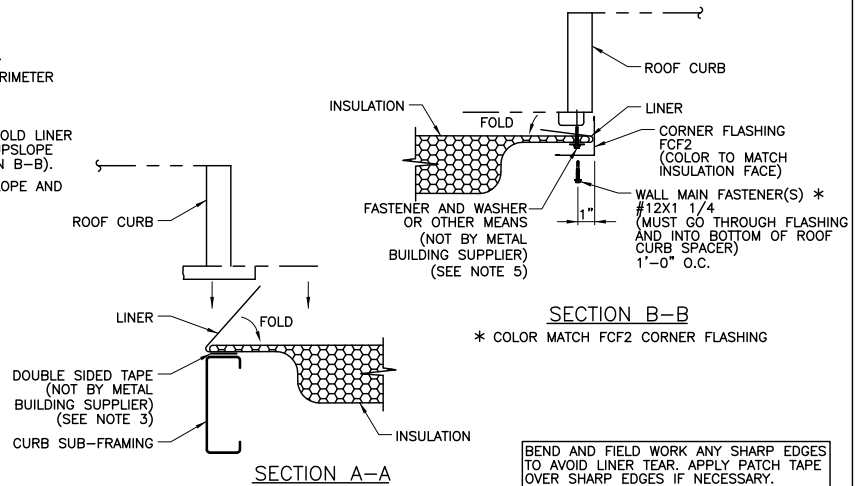
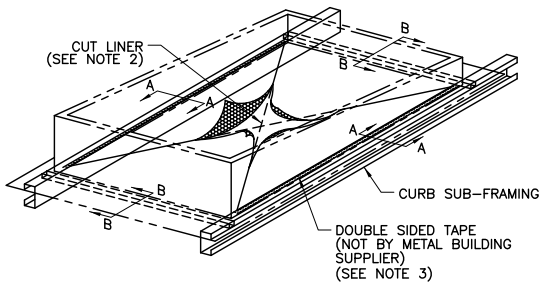
[Download the DWG file by clicking here.](#)

[To Section Index](#)

Insulation Tie Off
All Roof Panels
OF31/AA

INSULATION TIE OFF PROCEDURE

1. REMOVE INSULATION BACKING FROM THE LINER WITHIN ROOF CURB OPENING AREA.
2. THEN CUT THE LINER FROM CORNER TO CORNER OF INSIDE ROOF CURB OPENING.
3. PLACE DOUBLE SIDED TAPE (NOT BY METAL BUILDING SUPPLIER) ON THE SIDE PERIMETER OF THE ROOF CURB SUB FRAMING (SEE SECTION A-A).
4. PRESS THE FOLDED LINER FIRMLY IN PLACE ALONG THE SIDE PERIMETER.
5. INSTALL ROOF CURB AS SPECIFIED IN CURB DETAILS. AFTER CURB IS IN PLACE, FOLD LINER AND FASTEN TO BOTTOM OF ROOF CURB SPACER CHANNEL AT DOWNSLOPE AND UPSLOPE EDGES. FASTENERS AND SPACING NOT BY METAL BUILDING SUPPLIER (SEE SECTION B-B).
6. FASTEN CORNER FLASHING AROUND BOTTOM OF CURB AT 1'-0" O.C. FOR DOWNSLOPE AND UPSLOPE EDGES (SEE SECTION B-B).



BEND AND FIELD WORK ANY SHARP EDGES TO AVOID LINER TEAR. APPLY PATCH TAPE OVER SHARP EDGES IF NECESSARY.

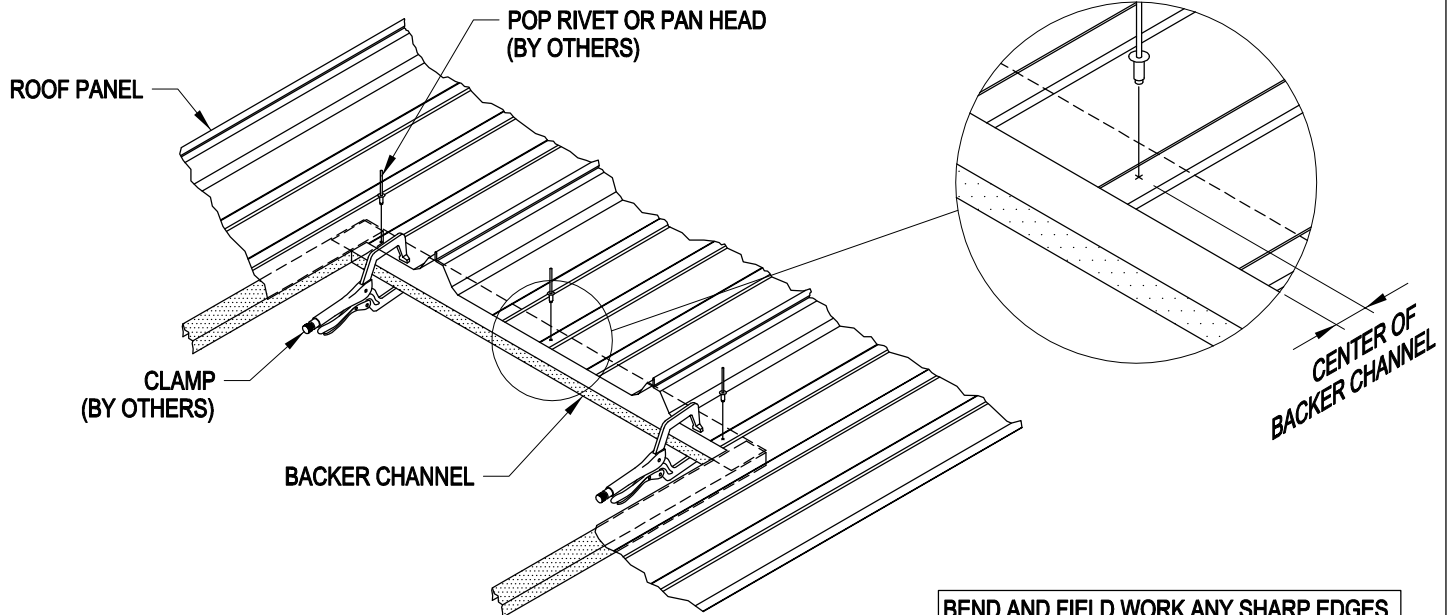
INSULATION TIE OFF
ALL ROOF PANELS

OF31
AA

[Download the DWG file by clicking here.](#)

[To Section Index](#)

Backer Channel Procedure
All Roof Panels
OF34/AA



BEND AND FIELD WORK ANY SHARP EDGES TO AVOID LINER TEAR. APPLY PATCH TAPE OVER SHARP EDGES IF NECESSARY.

BACKER CHANNEL PROCEDURE

1. NOTCH BACKER CHANNELS IF REQUIRED. (SEE [CR33WAA](#)).
2. PLACE BACKER CHANNELS LOOSELY UNDER THE PERIMETER OF THE PANEL EDGE. THE USE OF A FLAT PRY BAR WILL AID IN THE INSTALLATION. THE END CHANNELS WILL LAY ON TOP OF THE SIDE CHANNELS (SIDE CHANNELS ARE NOT NOTCHED ON THE ENDS).
3. ONCE THE BACKER CHANNELS ARE INSTALLED, TEMPORARILY HOLD IN PLACE WITH CLAMPS. THEN FASTEN WITH A POP RIVET OR SMALL PAN HEAD SELF DRILLING SCREW (BY OTHERS).

NOTE:

STANDING SEAM ROOF SHOWN, LOC SEAM AND LONG SPAN ROOF SIMILAR.

BACKER CHANNEL PROCEDURE

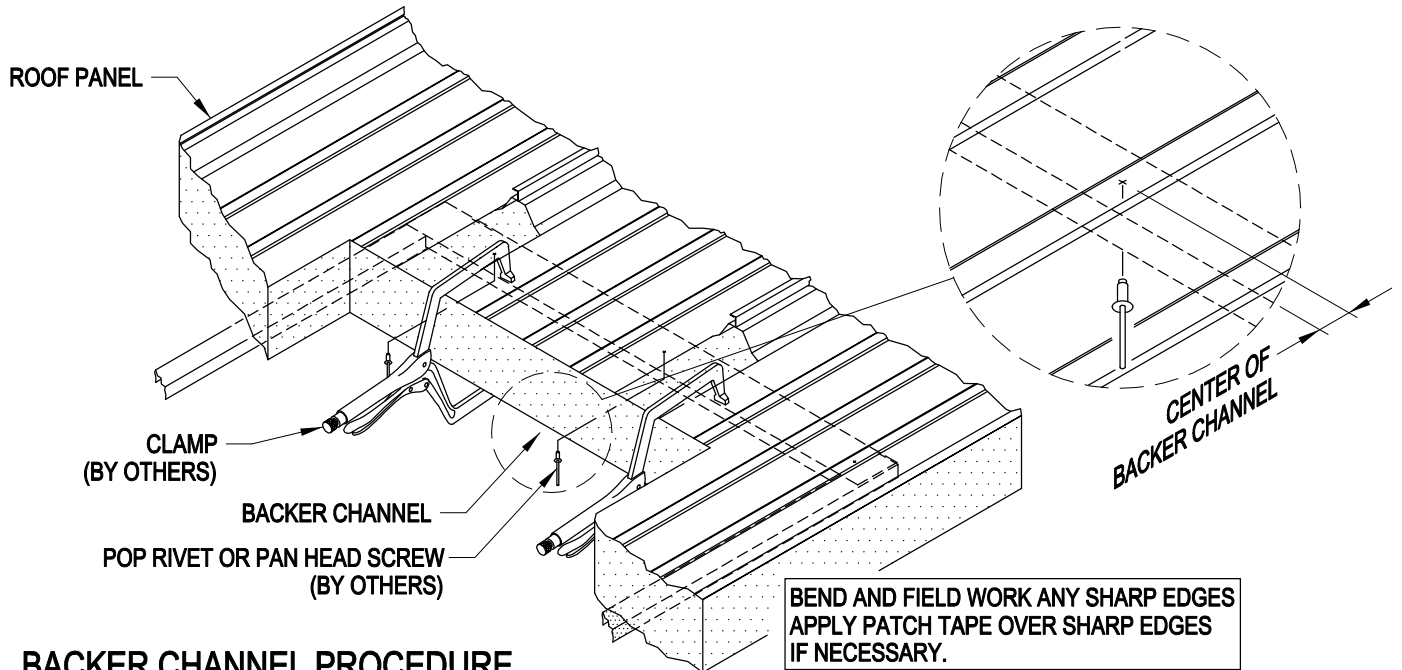
ALL ROOF PANELS

OF34
AA

[Download the DWG file by clicking here.](#)

[To Section Index](#)

Backer Channel Procedure
Standing Seam (SR2) Insulated Roof Panels
OF34/RA



BACKER CHANNEL PROCEDURE

1. NOTCH BACKER CHANNELS AS REQUIRED. (SEE [CR33RA](#)).
2. PLACE BACKER CHANNELS LOOSELY UNDER THE PERIMETER OF THE PANEL EDGE. THE END CHANNELS WILL LAY ON TOP OF THE SIDE CHANNELS (SIDE CHANNELS ARE NOT NOTCHED ON THE ENDS).
3. TEMPORARILY HOLD BACKER CHANNELS IN PLACE WITH CLAMPS. THEN FASTEN WITH POP RIVETS OR SMALL PAN HEAD SELF DRILLING SCREW (BY OTHERS). THROUGH BACKER CHANNEL INTO INTERIOR PANEL OF INSULATED PANEL.

NOTE: SR2 INSULATED ROOF PANELS SHOWN (HR3 ROOF PANES SIMILAR).

BACKER CHANNEL PROCEDURE

STANDING SEAM (SR2) INSULATED ROOF PANELS

OF34
RA

[Download the DWG file by clicking here.](#)

[To Section Index](#)



A **NUCOR** COMPANY

PRODUCT MANUAL

ROOF CURBS

Roof Curb Framing Schedule
 5'-0" Purlin Spacing
 OF94/AA

ROOF CURB FRAMING REQUIREMENTS			
(1) PURLIN SPACE		(2) PURLIN SPACES, WITH CUT PURLIN	
QUANTITY	MARK. NO.	QUANTITY	MARK. NO.
2	80C__- (*)	2	80C__- (**)
4	RFOC	6	RFOC
24	1/2X1 1/4 A325T BOLT	36	1/2X1 1/4 A325T BOLT
24	1/2 HVHX NUT	36	1/2 HVHX NUT

ROOF CURB FRAMING REQUIREMENTS	
2 PURLIN SPACES (UNCUT PURLIN)	
QUANTITY	MARK. NO.
4	80C__- (*)
8	RFOC
44	1/2X1 1/4 A325T BOLT
44	1/2 HVHX NUT

NOTES:

IF ROOF PANEL SUPPORT CHANNEL IS NEEDED. ADD NECESSARY 80C16-, CL-3 CLIPS AND BOLTS/NUTS AS REQUIRED. SEE DETAIL [OF18AA](#).

* CEE LENGTH = PURLIN SPACE - 7 1/2

** CEE LENGTH = (2)PURLIN SPACES - 7 1/2

ROOF CURB FRAMING SCHEDULE
 5'-0" PURLIN SPACING

OF94
AA

[Download the DWG file by clicking here.](#)

[To Section Index](#)

Roof Curb Framing Schedule
Structural Framing (5'-0" Purlin Spacing)
OF94Y/AA

ROOF CURB FRAMING REQUIREMENTS	
2 PURLIN SPACES	
QUANTITY	MARK. NO.
2	W_ x _ - (1) (2)
2	C_ x _ - (1) (3)
6	RFOC
8	1/2X1 1/4 A325T BOLT
28	1/2X2 A325T BOLT
36	1/2 HVHX NUT

NOTES:

1. SUPPORT MEMBER SIZES WILL VARY DEPENDING ON DESIGN.
2. LENGTH = BAY SPACE + 6".
3. LENGTH = (2) PURLIN SPACES - 7 1/2". FOR SUPPORT BEAM FLANGE WIDTH UP TO 7".

ROOF CURB FRAMING SCHEDULE
STRUCTURAL FRAMING (5'-0" PURLIN SPACING)

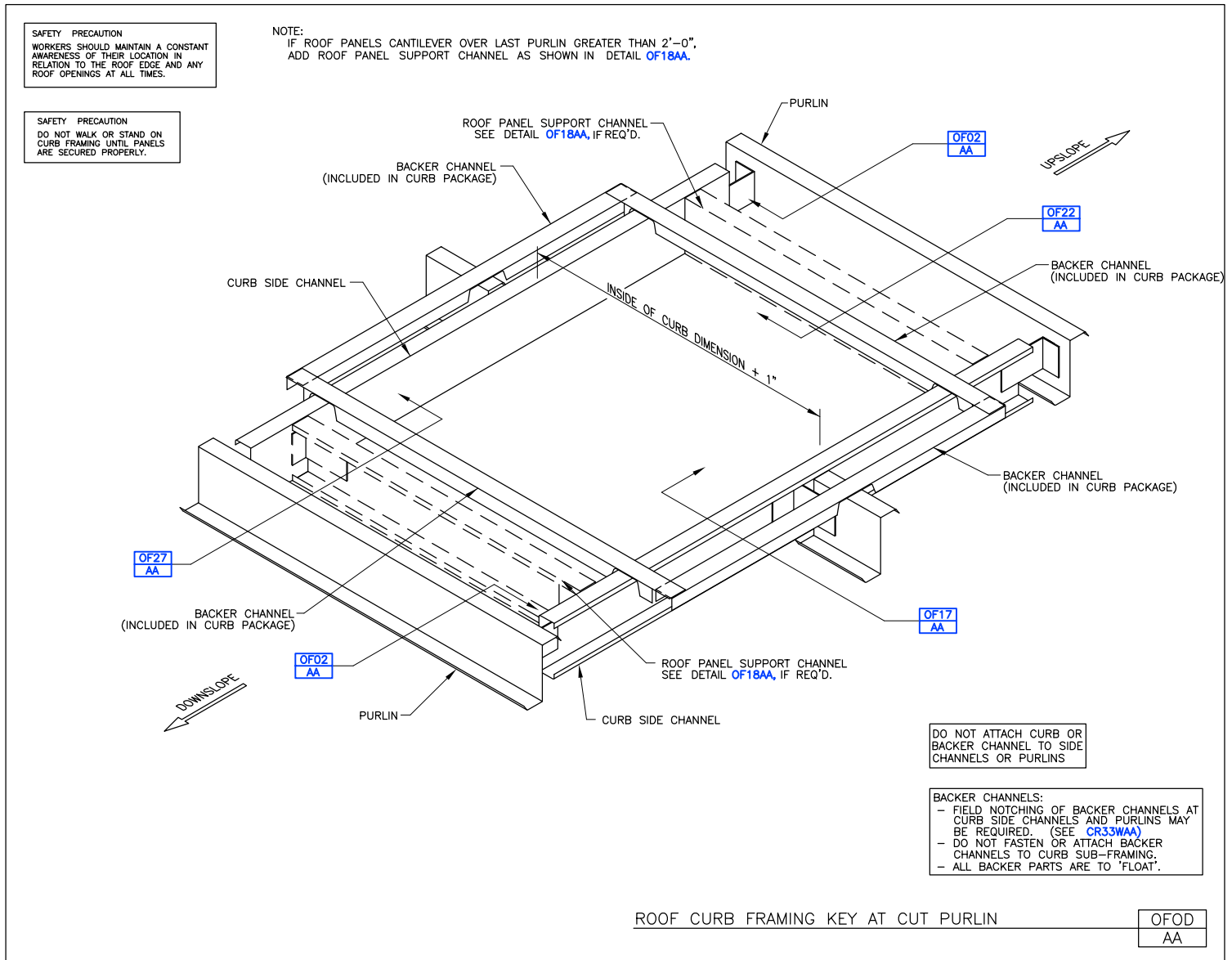
OF94Y
AA

[Download the DWG file by clicking here.](#)

[To Section Index](#)

Roof Curb Framing Key at Cut Purlin

OFOD/AA

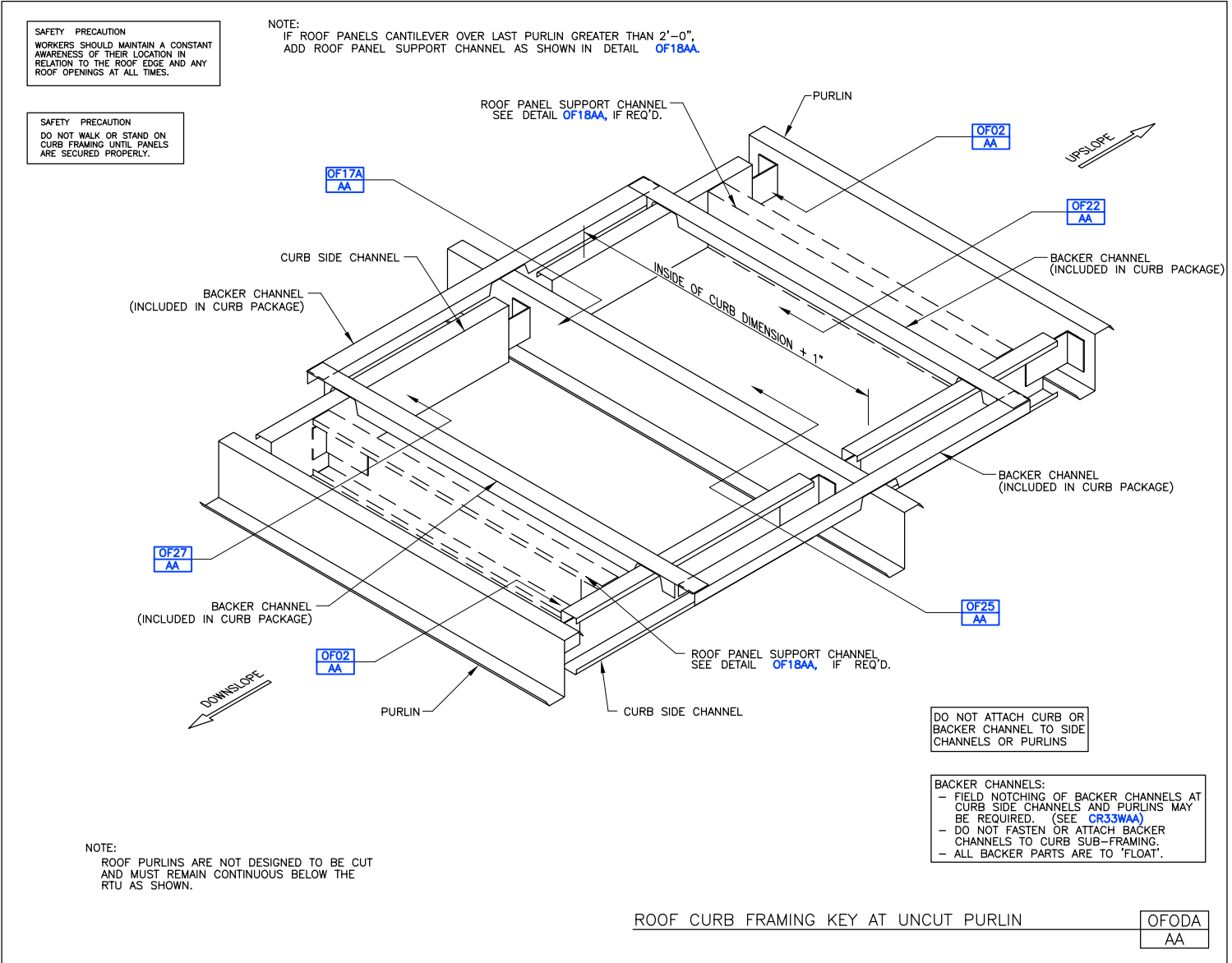


[Download the DWG file by clicking here.](#)

[To Section Index](#)

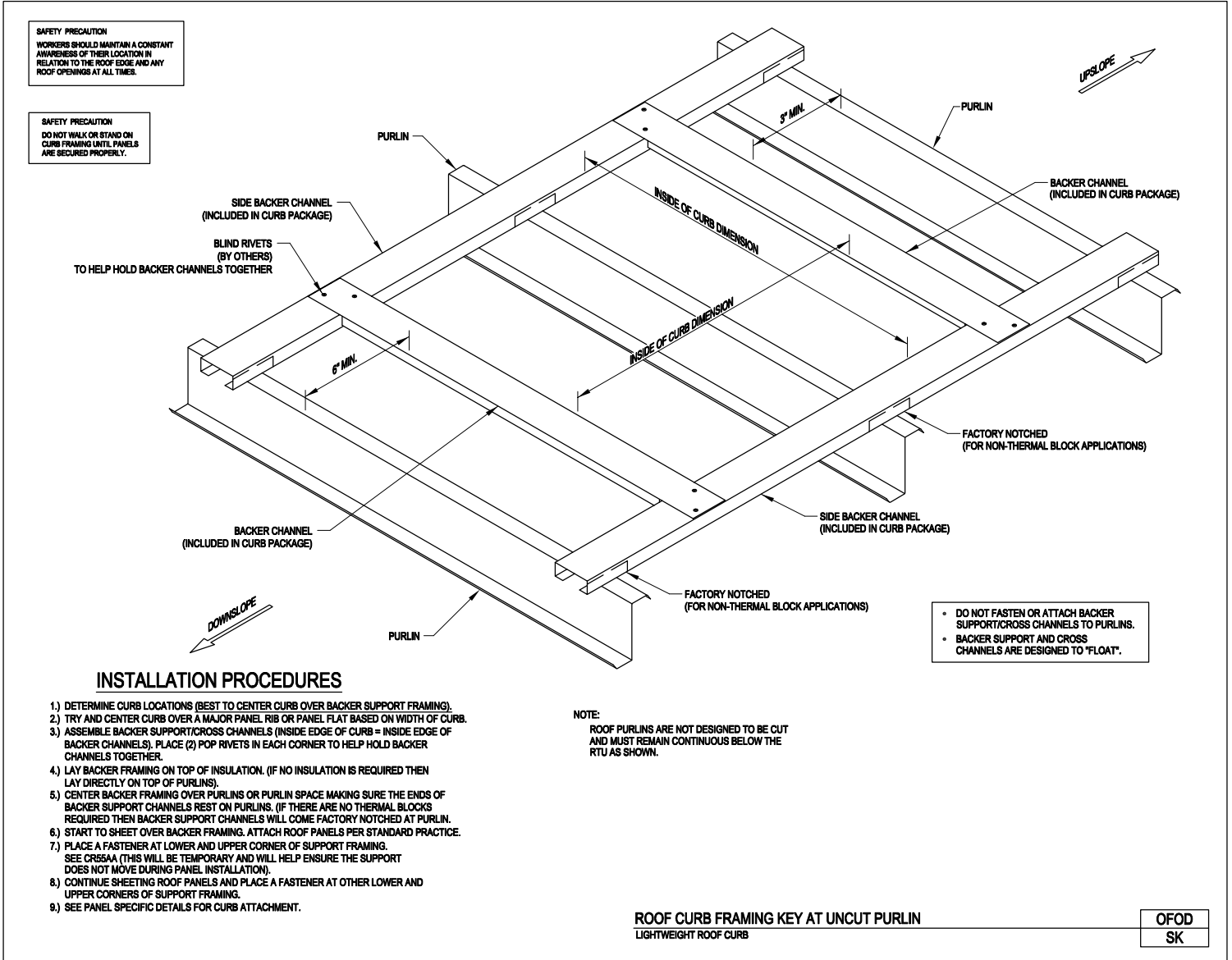
Roof Curb Framing Key at Uncut Purlin

OFODA/AA



[Download the DWG file by clicking here.](#)

Roof Curb Framing Key at Uncut Purlin
Lightweight Roof Curb
OFOD/SK

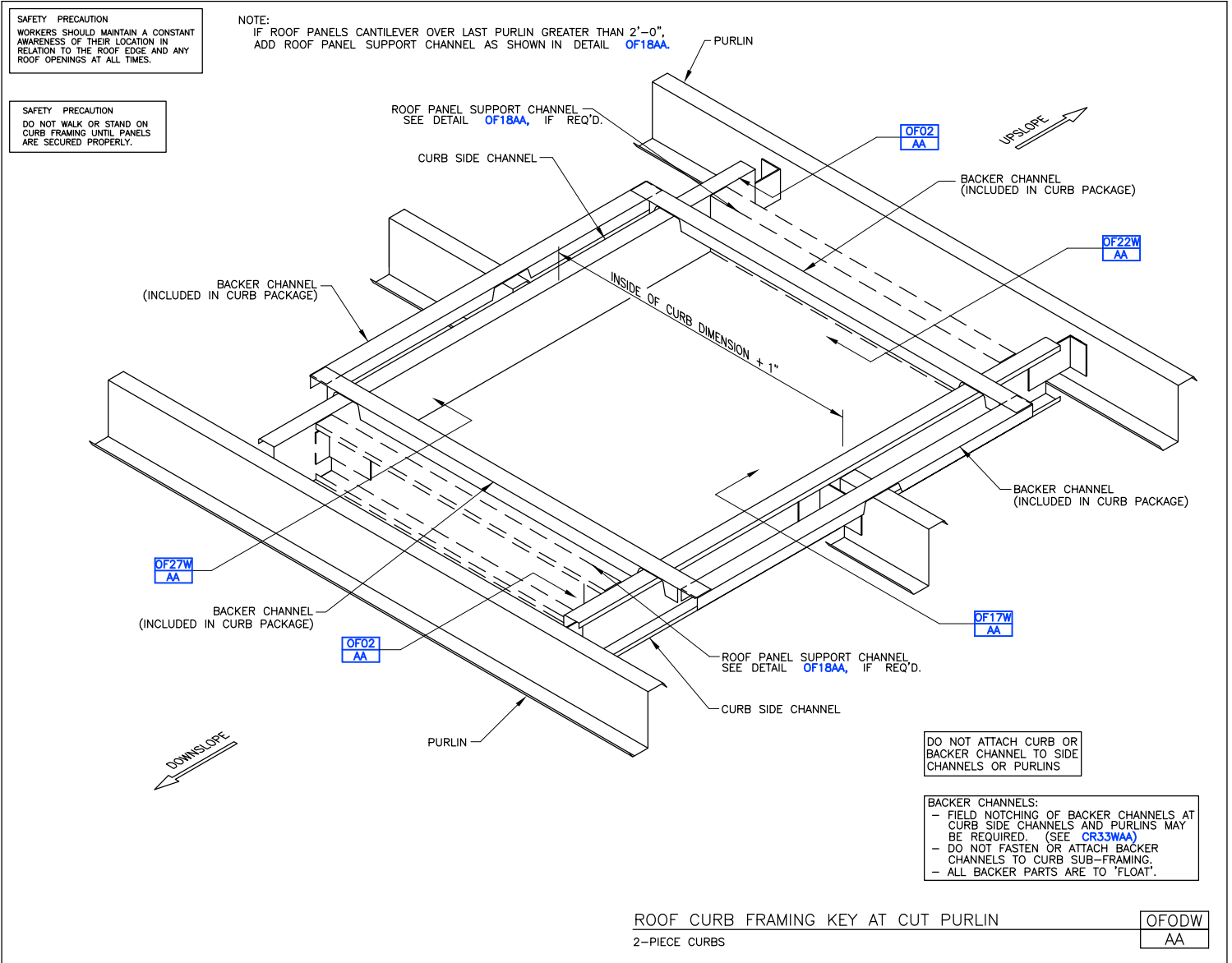


[Download the DWG file by clicking here.](#)

Roof Curb Framing Key at Cut Purlin

2-Piece Curb

OFODW/AA



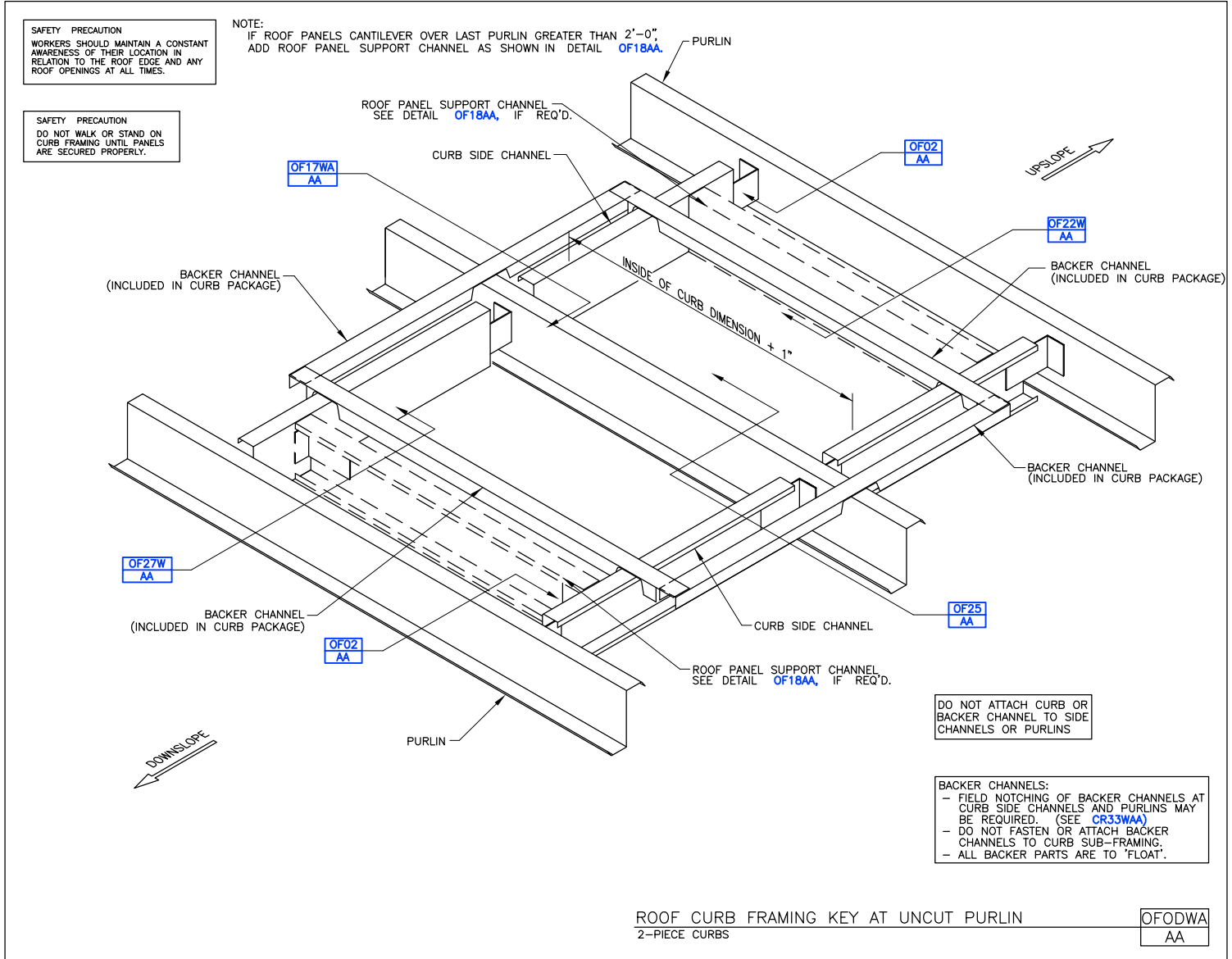
[Download the DWG file by clicking here.](#)

[To Section Index](#)

Roof Curb Framing Key at Uncut Purlin

2-Piece Curbs

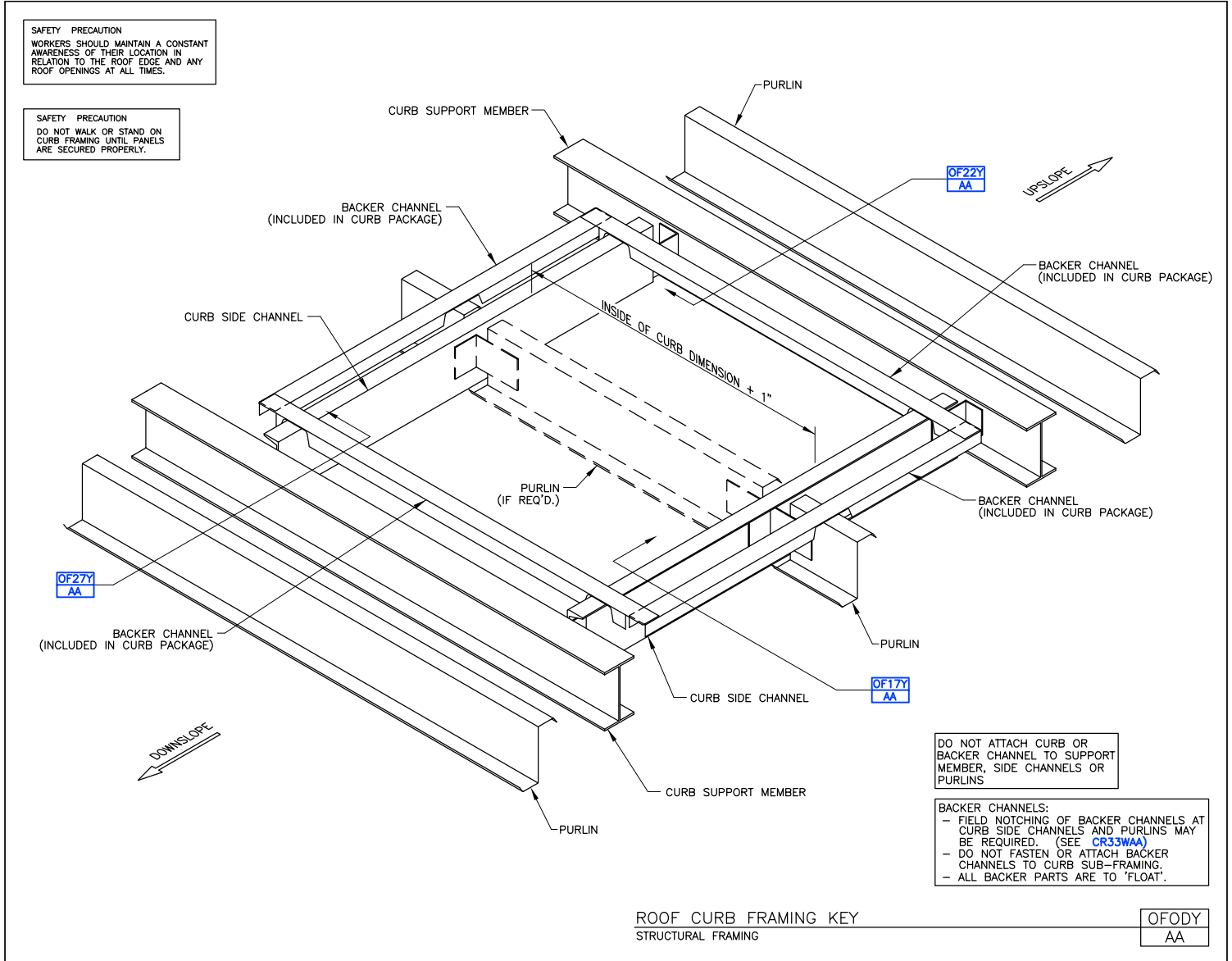
OFODWA/AA



[Download the DWG file by clicking here.](#)

[To Section Index](#)

Roof Curb Framing Key
Structural Framing
OFODY/AA



[Download the DWG file by clicking here.](#)

[To Section Index](#)