

Index

WF01/AA, Girt Connection to Column, With Reinforcement Plate (12")
WF01P/AA, Flush Girt Connection to Column
WF01PQ/AA, Corner Girt Connection (Beam & Column Corner Column), Flush Sidewall/Inset or Flush Endwall
WF01PR/AA, Corner Girt Connection (Beam & Column Corner Column), Flush Sidewall/Bypass Endwall
WF01Q/AA, Inset Girt Connection to Column
WF01QQ/AA, Corner Girt Connection (Beam & Column Corner Column), Inset Sidewall/Inset or Flush Endwall
WF01QR/AA, Corner Girt Connection (Beam & Column Corner Column), Inset Sidewall/Bypass Endwall
WF01RQ/AA, Corner Girt Connection (Beam & Column Corner Column), Bypass Sidewall/Inset or Flush Endwall
WF01RR/AA, Corner Girt Connection (Beam & Column Corner Column), Bypass Sidewall/Bypass Endwall
WF02/AA, Corner Girt Connection at Beam/Column Endwall, Bypass Sidewall/Flush or Inset Endwall
WF02A/AA, Corner Girt Connection at Beam/Column Endwall, Open Bypass Sidewall/Flush or Inset Endwall
WF02PQ/AA, Corner Girt Connection at Wind Column (Beam & Column Corner Column), Flush Sidewall/Inset or Flush Endwall
WF02PR/AA, Corner Connection at Wind Column (Beam & Column Corner Column), Flush Sidewall/Bypass Endwall
WF02QQ/AA, Corner Connection at Wind Column (Beam & Column Corner Column), Inset Sidewall/Inset or Flush Endwall
WF02QR/AA, Corner Connection at Wind Column (Beam & Column Corner Column), Inset Sidewall/Bypass Endwall
WF02R/AA, Bypass Lapped Zee Girt Connection, Column Flange Thickness Less Than or Equal to 1/2"
WF02RA/AA, 6" Pinned Zee Girt Lap, Column Flange Thickness Less Than or Equal to 1/2"
WF02RQ/AA, Corner Connection at Wind Column (Beam & Column Corner Column), Bypass Sidewall/Inset or Flush Endwall
WF02RY/AA, Bypass Cee Girt to Interior Column
WF02W/AA, Corner Girt Connection at Beam/Column Endwall with Wind Column, Bypass Sidewall/Flush or Inset Endwall
WF02WA/AA, Corner Girt Connection at Beam/Column Endwall with Wind Column, Open Bypass Sidewall/Flush or Inset Endwall
WF03/AA, Corner Girt Connection at Beam/Column Endwall, Bypass Sidewall/Bypass Endwall
WF03A/AA, Corner Girt Connection at Beam/Column Endwall, Open Bypass Sidewall/Bypass Endwall
WF03W/AA, Corner Girt Connection at Beam/Column Endwall with Wind Column, Bypass Sidewall/Bypass Endwall
WF03WA/AA, Corner Girt Connection at Beam/Column Endwall with Wind Column, Open Bypass Sidewall/Bypass Endwall
WF04/AA, Corner Girt Connection (Rigid Frame Corner Column), Bypass Sidewall/Bypass, Inset or Flush Endwall
WF04A/AA, Corner Girt Connection at Rigid Frame Endwall, Open Bypass Sidewall/Bypass, Flush or Inset Endwall
WF04A/AT, Corner Girt Connection at Rigid Frame Endwall, Bypass Sidewall/Bypass, Inset or Flush Endwall
WF04RP/AA, Corner Connection at Wind Column (Beam & Column Corner Column), Bypass Sidewall/Bypass Endwall
WF04W/AA, Corner Girt at Wind Column (Rigid Frame Corner Column), All Open Sidewall Girts/Bypass, Inset or Flush Endwall
WF04WA/AA, Corner Girt Connection at Rigid Frame Endwall with Wind Column, Bypass Sidewall/Bypass, Flush or Inset Endwall
WF04WA/AT, Corner Girt Connection at Rigid Frame Endwall with Wind Column, Bypass Sidewall/Bypass, Flush or Inset Endwall
WF04Z/AA, Corner Girt at Wind Column (Rigid Frame Corner Column), Bypass Sidewall/Bypass, Inset or Flush Endwall
WF05/AA, Corner Girt Connection (Rigid Frame Corner Column), Inset Sidewall/Bypass, Inset or Flush Endwall
WF05A/AA, Corner Girt Connection at Rigid Frame Endwall, Open Inset Sidewall/Bypass, Flush or Inset Endwall
WF05A/AT, Corner Girt Connection at Rigid Frame Endwall, Inset Sidewall/Bypass, Flush or Inset Endwall

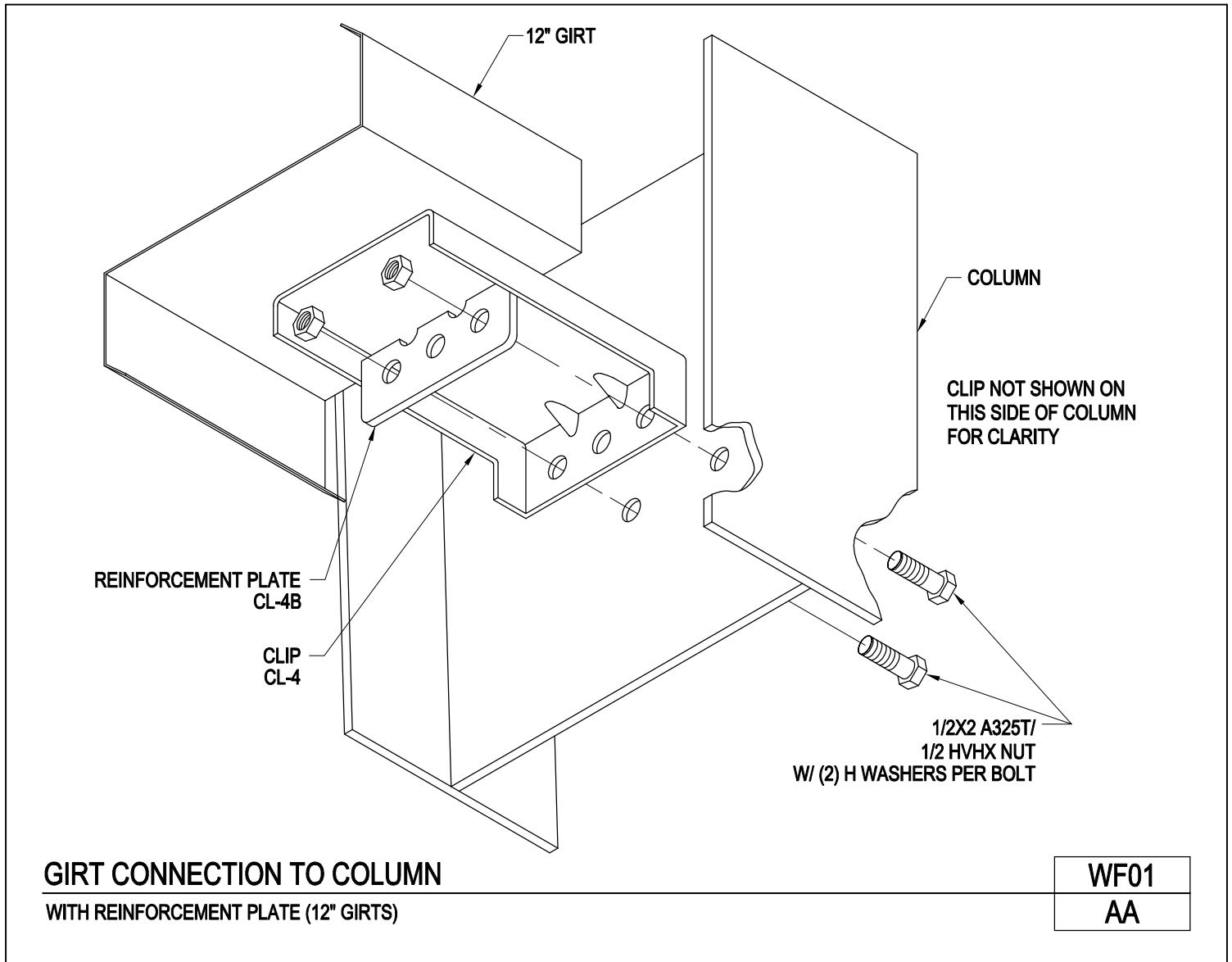
Index

WF05W/AA, Corner Girt Connection at Rigid Frame Endwall with Wind Column, Inset Sidewall/Bypass, Flush or Inset Endwall
WF05WA/AA, Corner Girt at Rigid Frame Endwall with Wind Column, Open Inset Sidewall/Bypass, Flush or Inset Endwall
WF05Z/AA, Corner Girt at Wind Column (Rigid Frame Corner Column), Inset Sidewall Girts/Bypass, Inset or Flush Endwall
WF06/AA, Corner Girt Connection (Rigid Frame Corner Column), Flush Sidewall/Bypass, Inset or Flush Endwall
WF06A/AA, Corner Girt Connection at Rigid Frame Endwall, Open Flush Sidewall/Bypass, Flush or Inset Endwall
WF06A/AT, Corner Girt Connection at Rigid Frame Endwall, Flush Sidewall/Bypass, Flush or Inset Endwall
WF06W/AA, Corner Girt Connection at Rigid Frame Endwall with Wind Column, Flush Sidewall/Bypass, Flush or Inset Endwall
WF06WA/AA, Corner Girt at Rigid Frame Endwall with Wind Column, Open Flush Sidewall/Bypass, Flush or Inset Endwall
WF06Z/AA, Corner Girt at Wind Column (Rigid Frame Corner Column), Flush Sidewall Girts/Bypass, Inset or Flush Endwall
WF07/AA, Corner Girt Connection at Beam/Column Endwall, Inset Sidewall/Flush or Inset Endwall
WF07A/AA, Corner Girt Connection at Beam/Column Endwall, Open Inset Sidewall/Flush or Inset Sidewall
WF07P/AA, Jamb Connection to Column (Without Girt), Flush Condition
WF07PB/AA, Jamb Connection to Column (With Girt), Flush Condition
WF07Q/AA, Jamb Connection to Column (Without Girt), Inset Condition
WF07QB/AA, Jamb Connection to Column (With Girt), Inset Condition
WF07W/AA, Corner Girt Connection at Beam/Column Endwall with Wind Column, Inset Sidewall/Flush or Inset Endwall
WF07WA/AA, Corner Girt Connection at Beam/Column Endwall with Wind Column, Open Inset Sidewall/Flush or Inset Endwall
WF08/AA, Section Through Corner Column Web, Bypass, Flush or Inset Endwall
WF09/AA, Corner Girt Connection at Beam/Column Endwall, Flush Sidewall/Flush or Inset Girt
WF09A/AA, Corner Girt Connection at Beam/Column Endwall, Open Flush Sidewall/Flush or Inset Endwall
WF09W/AA, Corner Girt Connection at Beam/Column Endwall with Wind Column, Flush Sidewall/Flush or Inset Endwall
WF09WA/AA, Corner Girt Connection at Beam/Column Endwall with Wind Column, Open Flush Sidewall/Flush or Inset Endwall
WF10/AA, Corner Girt Connection at Beam and Column Endwall, Flush Sidewall/Bypass Endwall
WF10A/AA, Corner Girt Connection at Beam/Column Endwall, Open Flush Sidewall/Bypass Endwall
WF10R/AA, Bypass Zee Girt Connection to Column at Interior Column, Column Flange Thickness Less Than or Equal to 1/2"
WF10W/AA, Corner Girt Connection at Beam/Column Endwall with Wind Column, Flush Sidewall/Bypass Endwall
WF10WA/AA, Corner Girt Connection at Beam/Column Endwall with Wind Column, Open Flush Sidewall/Bypass Endwall
WF11/AA, Corner Girt Connection at Beam and Column Endwall, Inset Sidewall/Bypass Endwall
WF11A/AA, Corner Girt Connection at Beam/Column Endwall, Open Inset Sidewall/Bypass Endwall
WF11W/AA, Corner Girt Connection at Beam/Column Endwall with Wind Column, Inset Sidewall/ Bypass Endwall
WF11WA/AA, Corner Girt Connection at Beam/Column Endwall with Wind Column, Open Inset Sidewall/Bypass Endwall
WF12R/AA, Bypass Girt Connection to Shop Welded Clip at Interior Column. Column Flange Thickness Greater than 1/2"
WF13R/AA, Bypass Cee Girt to Interior Column
WF24/AA, Corner Girt Connection (Rigid Frame Corner Column), Open Bypass Sidewall/Bypass, Inset or Flush Endwall
WF25/AA, Corner Girt Connection (Rigid Frame Corner Column), Open Inset Sidewall/Bypass, Inset or Flush Endwall
WF26/AA, Corner Girt Connection (Rigid Frame Corner Column), Open Flush Sidewall/Bypass, Inset or Flush Endwall

Index

WF26/AA, Corner Girt Connection (Rigid Frame Corner Column), Open Flush Sidewall/Bypass, Inset or Flush Endwall
WF30/AA, Lower Outset Girt Transition (Bypass/Bypass), Bypass Upper Girt to Bypass Lower Girt Condition
WF31/AA, Lower Outset Girt Transition (Flush/Bypass), Flush Upper Girt to Bypass Lower Girt Condition
WF32/AA, Lower Outset Girt Transition (Flush/Inset), Flush Upper Girt to Inset Lower Girt Condition
WF33/AA, Lower Outset Girt Transition (Inset/Bypass), Inset Upper Girt to Bypass Lower Girt Condition
WF34/AA, Upper Outset Girt Transition (Bypass/Bypass), Bypass Upper Girt to Bypass Lower Girt Condition
WF35/AA, Upper Outset Girt Transition (Inset/Flush), Inset Upper Girt to Flush Lower Girt
WF36/AA, Upper Outset Girt Transition (Bypass/Inset), Bypass Upper Girt to Inset Lower Girt Condition
WF37/AA, Upper Outset Girt Transition (Bypass/Flush), Bypass Upper Girt to Flush Lower Girt Condition
WF53/AA, Gable Girt Off Purlin Connection, Bypass Girts
WF53A/AA, Gable Girt Off Endwall Rafter Connection, Inset/Flush Girts
WF53B/AA, Gable Girt Connection at CLV1-
WF53W/AA, Gable Girt at Endwall Rafter
WF58R/AA, Non-Lapped Bypass Girt, Typical at Corner Column or Any Single Bypass Zee to Column
WF60/AA, Eave Strut to Endwall Girt Connection
WF60A/AA, Corner Zone Support Cee, All Girt Conditions at Rigid Frame Endwall/Bypass Girts at Beam and Column Endwall
WF60B/AA, Corner Zone Support Cee Attachment, Inset/Flush Endwall Girts (Beam and Column Endwall)
WF60R/AA, Bypass Channel Endwall Interior Column
WF91R/AA, Bypass Non-Lapped Girt Connection to Column, Structural Channel Girt
WF91RW/AA, Structural Girt to Column Flange, Structural Channel Girt

Girt Connection to Column
With Reinforcement Plate (12")
WF01/AA

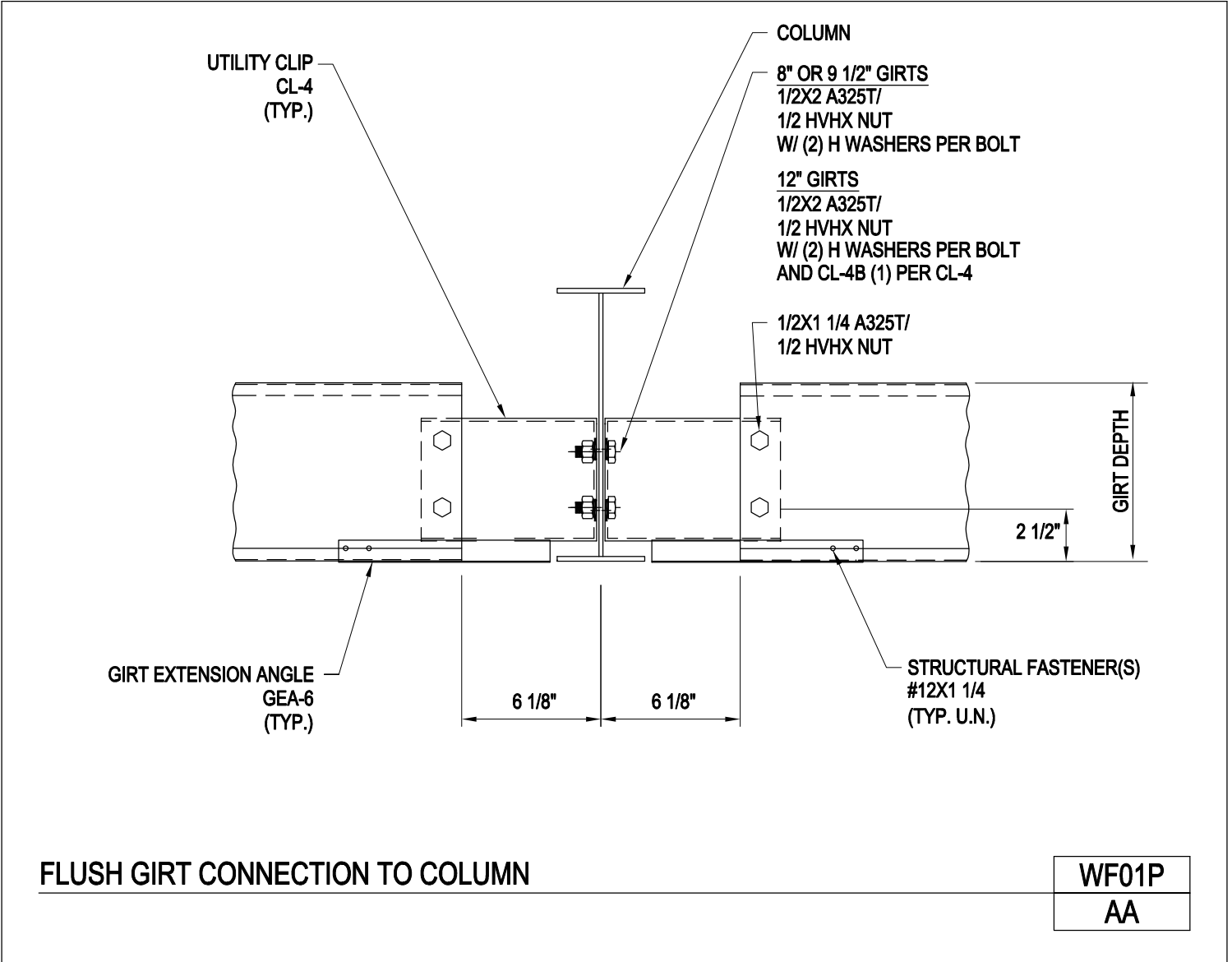


[Download the DWG file by clicking here.](#)

[To Section Index](#)

Flush Girt Connection to Column

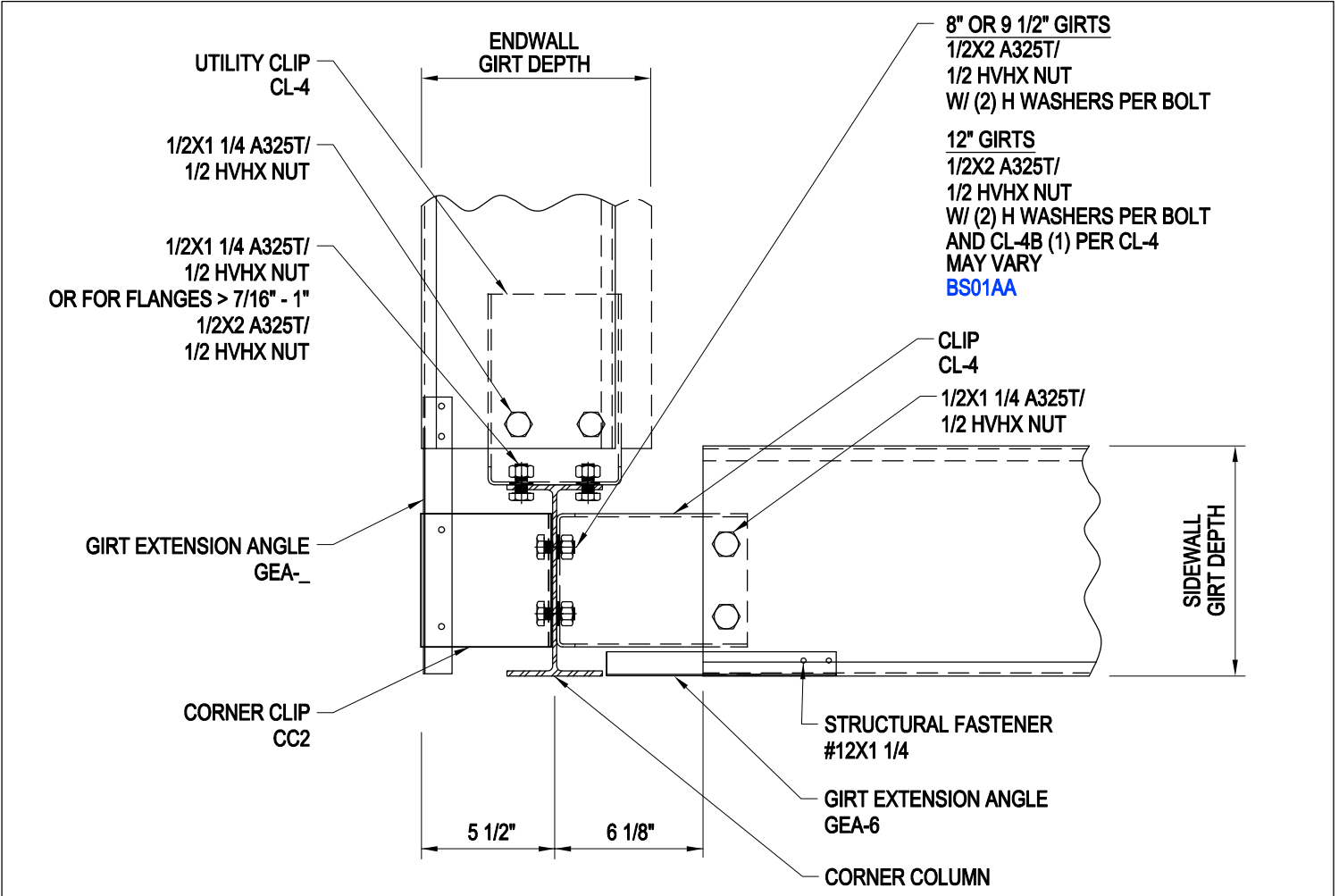
WF01P/AA



[Download the DWG file by clicking here.](#)

[To Section Index](#)

Corner Girt Connection (Beam & Column Corner Column)
Flush Sidewall / Inset or Flush Endwall
WF01PQ/AA



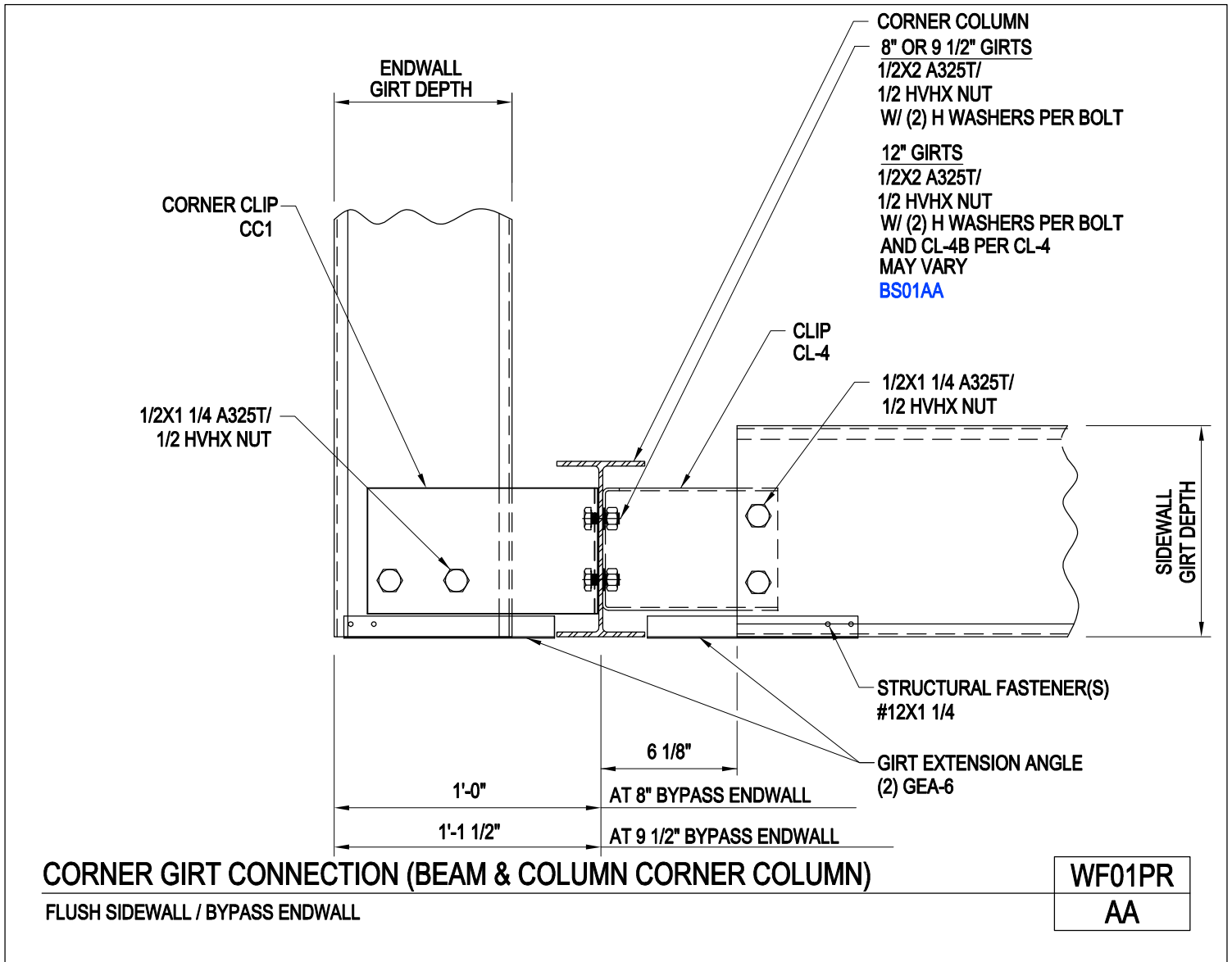
CORNER GIRT CONNECTION (BEAM & COLUMN CORNER COLUMN)
FLUSH SIDEWALL / INSET OR FLUSH ENDWALL

WF01PQ
AA

[Download the DWG file by clicking here.](#)

[To Section Index](#)

Corner Girt Connection (Beam & Column Corner Column)
 Flush Sidewall / Bypass Endwall
 WF01PR/AA

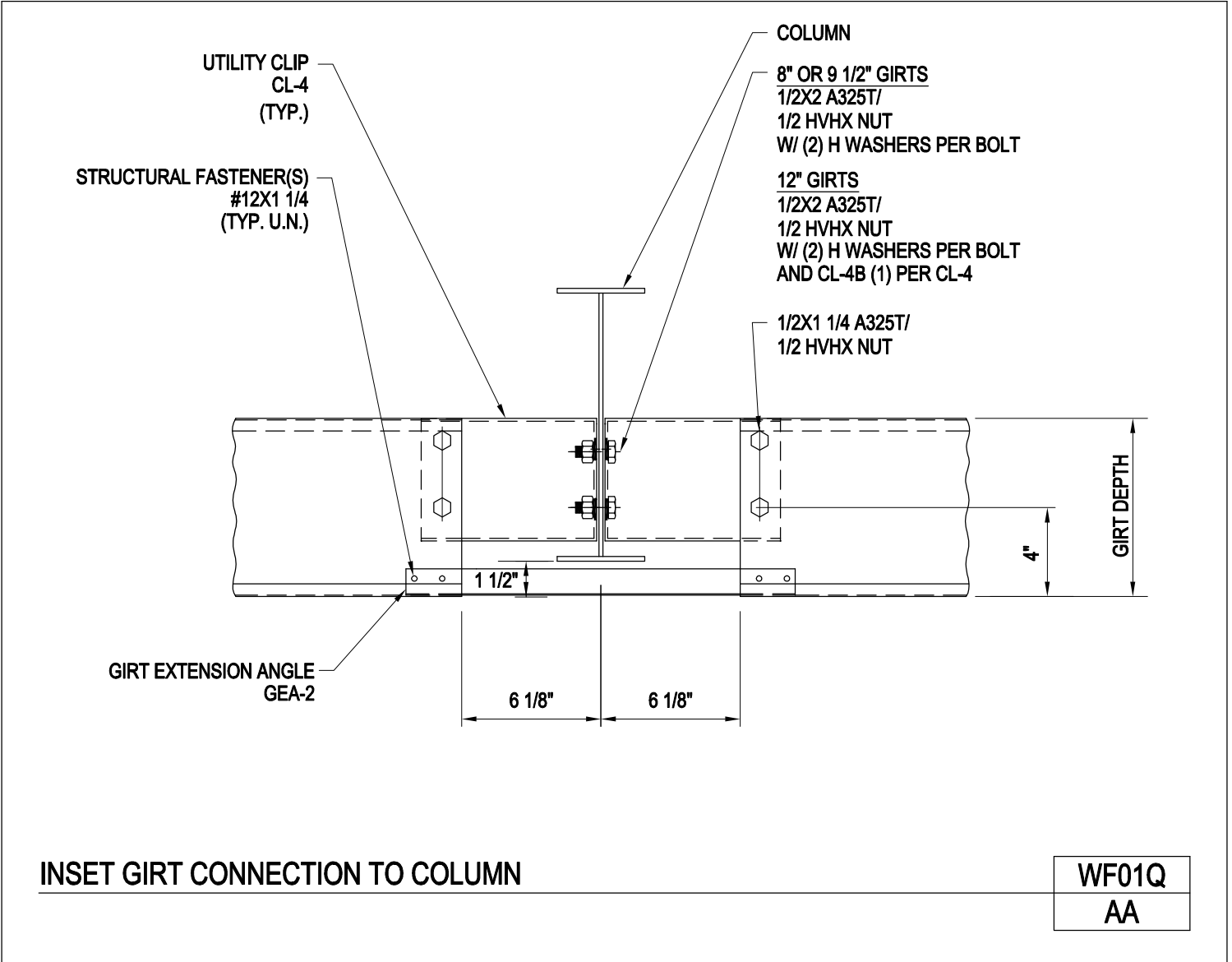


[Download the DWG file by clicking here.](#)

[To Section Index](#)

Inset Girt Connection to Column

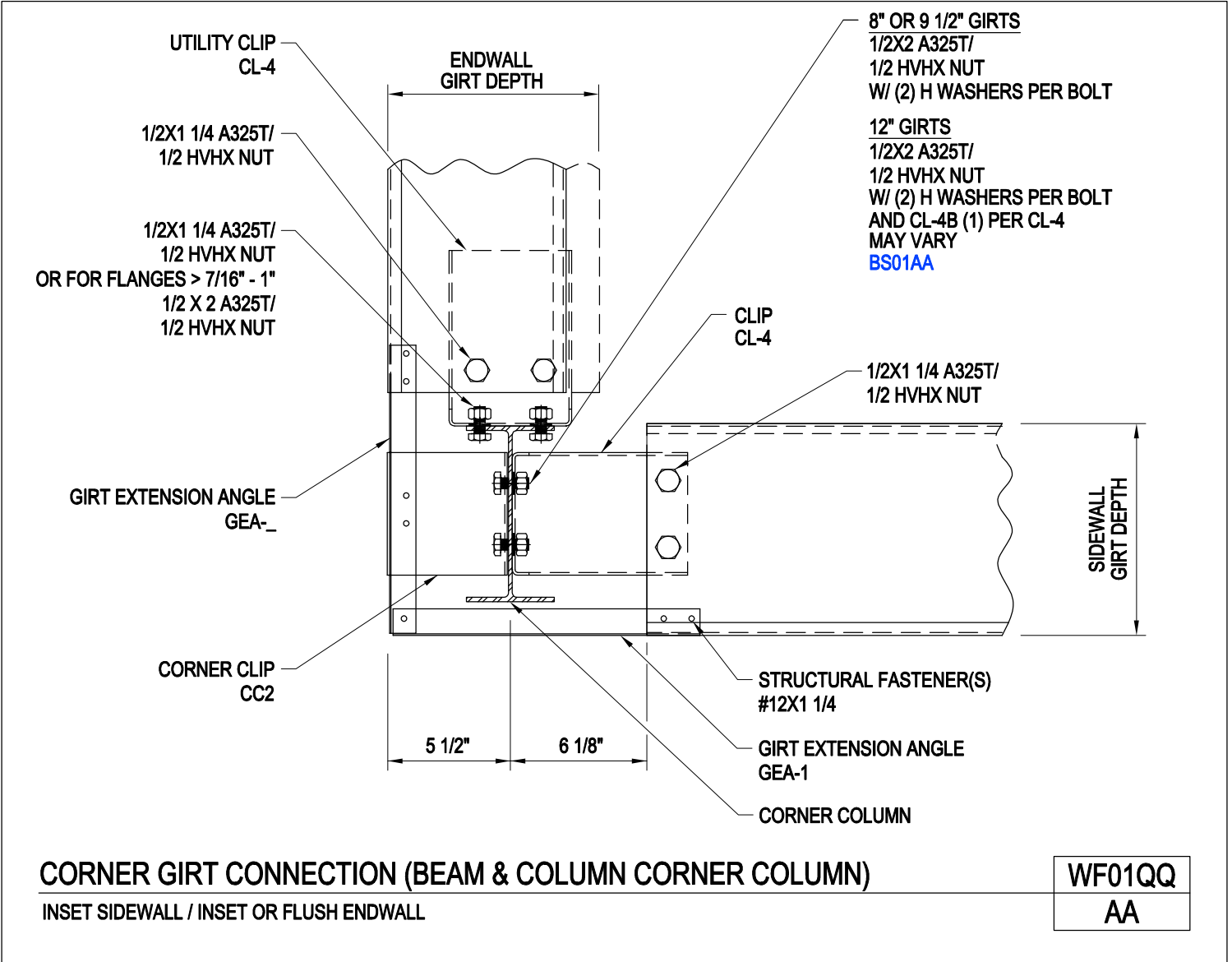
WF01Q/AA



[Download the DWG file by clicking here.](#)

[To Section Index](#)

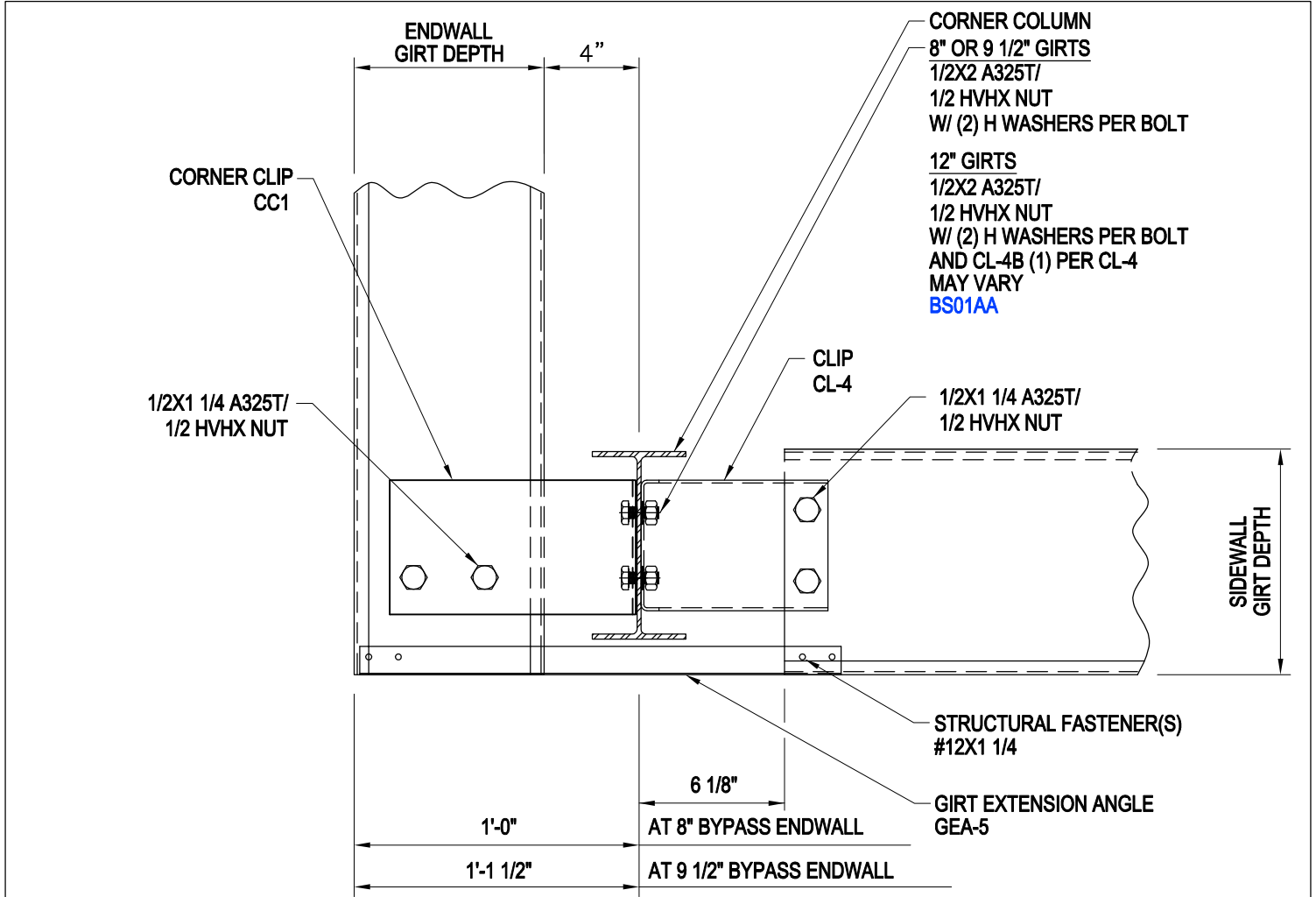
Corner Girt Connection (Beam & Column Corner Column)
Inset Sidewall / Inset or Flush Endwall
WF01QQ/AA



[Download the DWG file by clicking here.](#)

[To Section Index](#)

Corner Girt Connection (Beam & Column Corner Column)
Inset Sidewall / Bypass Endwall
WF01QR/AA



CORNER GIRT CONNECTION (BEAM & COLUMN CORNER COLUMN)

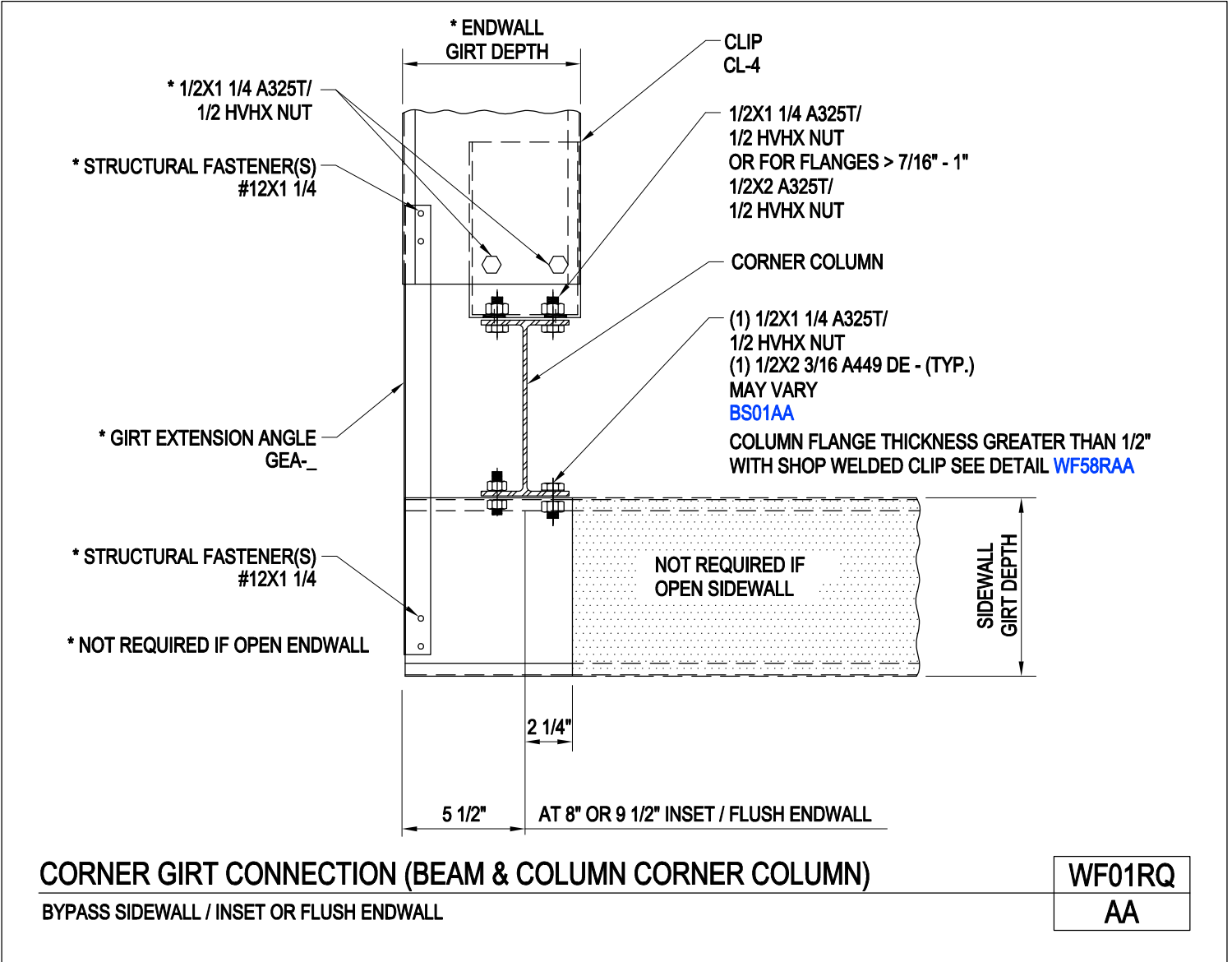
INSET SIDEWALL / BYPASS ENDWALL

WF01QR
AA

[Download the DWG file by clicking here.](#)

[To Section Index](#)

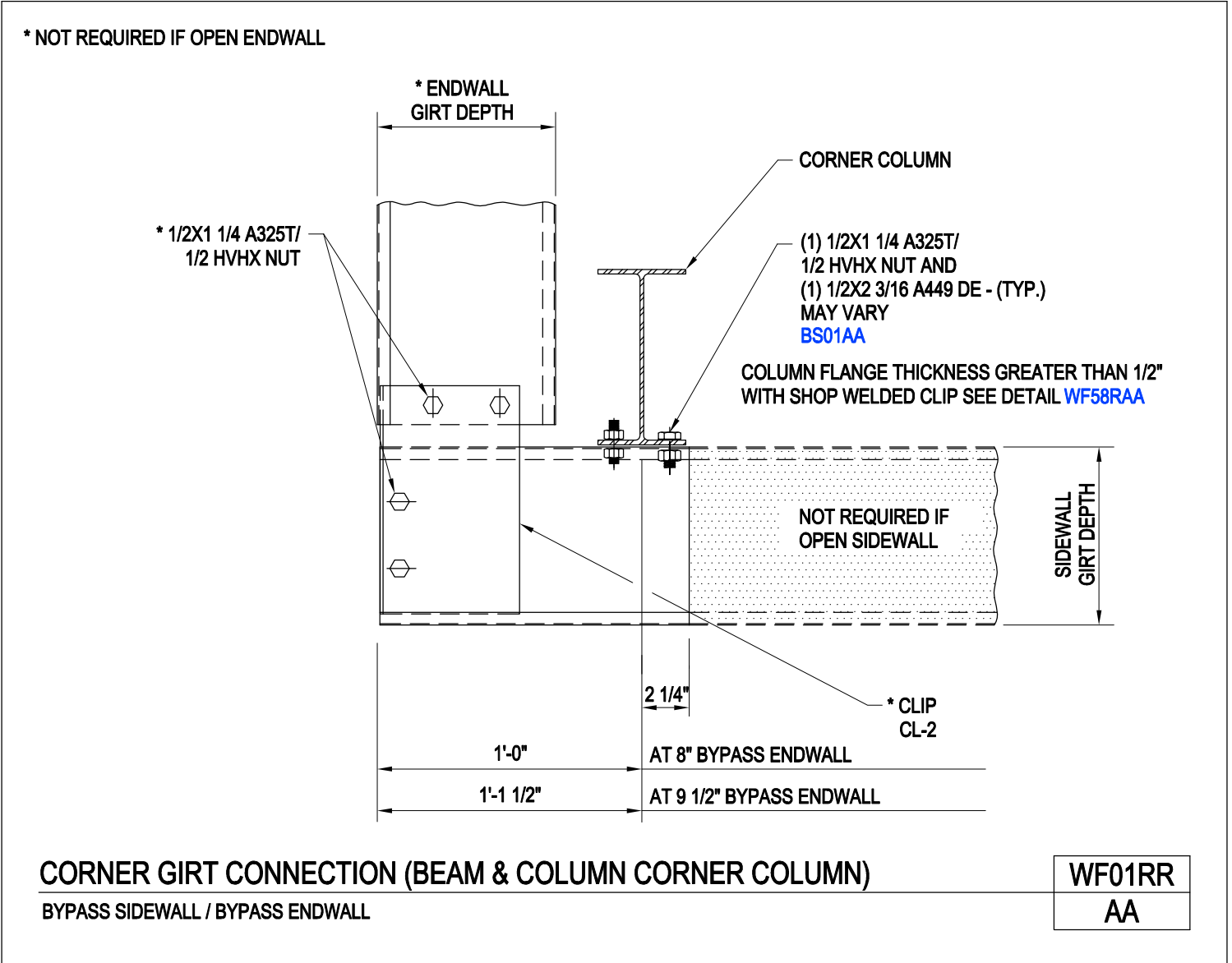
Corner Girt Connection (Beam & Column Corner Column)
 Bypass Sidewall / Inset or Flush Endwall
 WF01RQ/AA



[Download the DWG file by clicking here.](#)

[To Section Index](#)

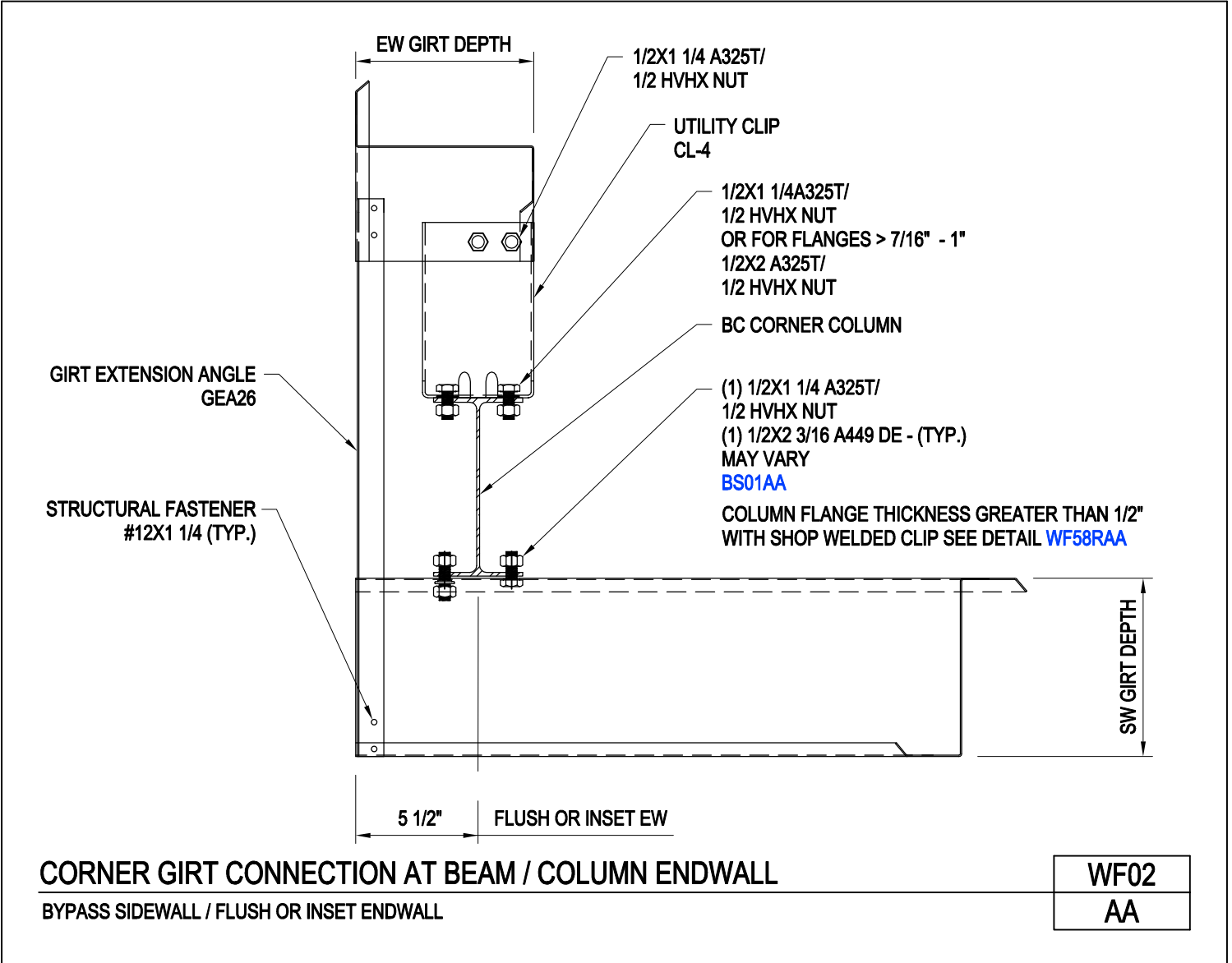
Corner Girt Connection (Beam & Column Corner Column)
Bypass Sidewall / Bypass Endwall
WF01RR/AA



[Download the DWG file by clicking here.](#)

[To Section Index](#)

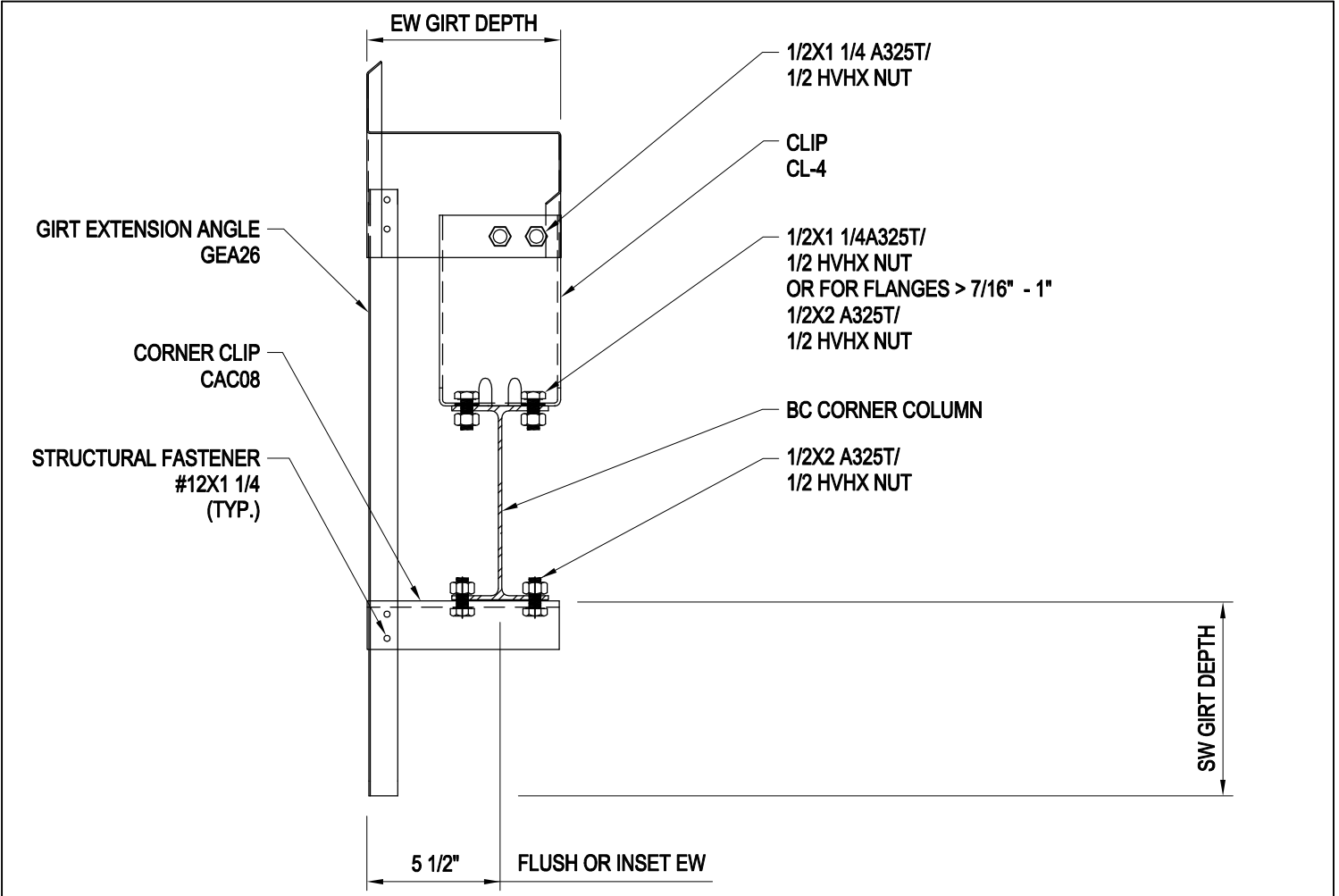
Corner Girt Connection at Beam / Column Endwall
Bypass Sidewall / Flush or Inset Endwall
WF02/AA



[Download the DWG file by clicking here.](#)

[To Section Index](#)

Corner Girt Connection at Beam / Column Endwall
Open Bypass Sidewall / Flush or Inset Endwall
WF02A/AA



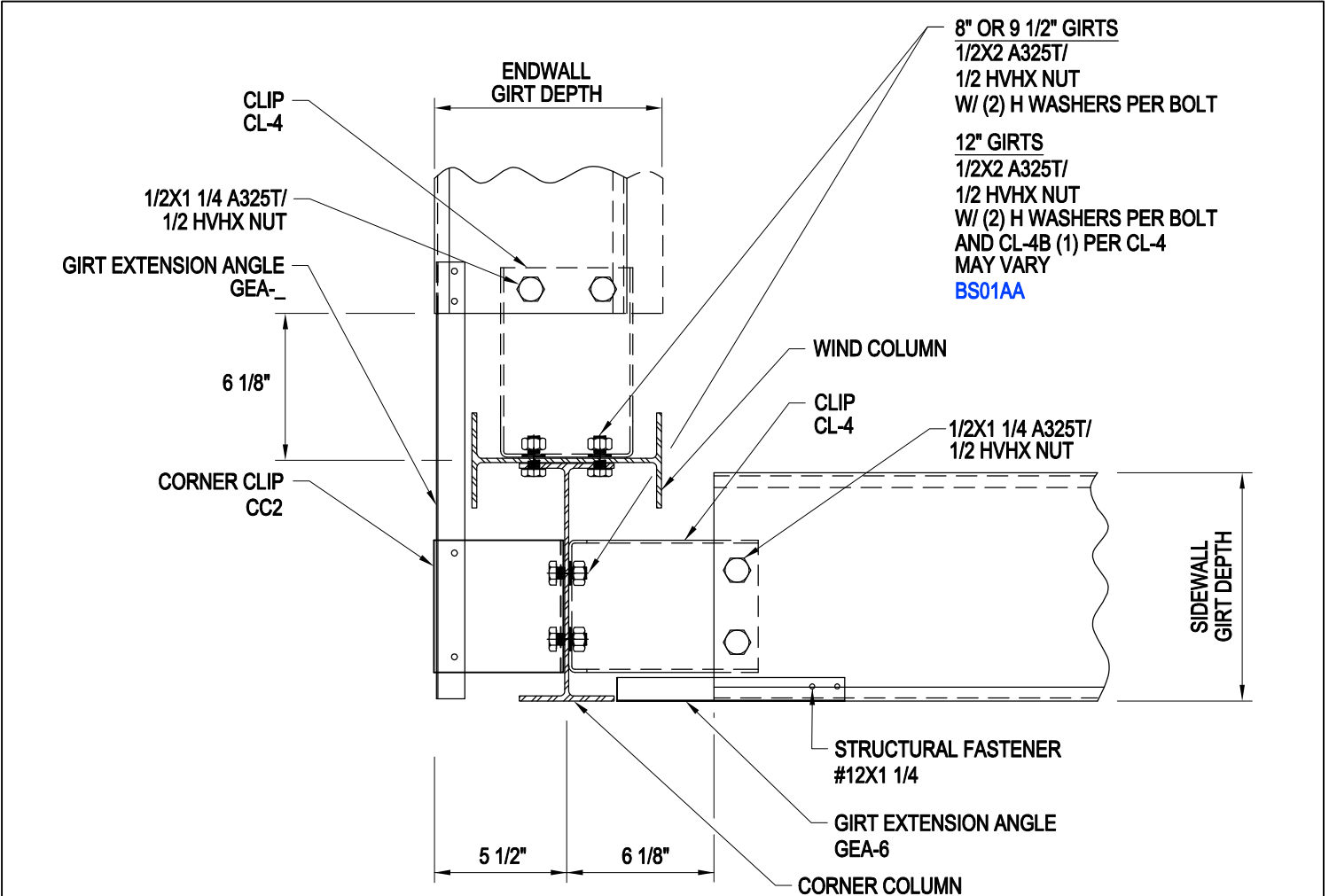
CORNER GIRT CONNECTION AT BEAM / COLUMN ENDWALL
OPEN BYPASS SIDEWALL / FLUSH OR INSET ENDWALL

WF02A
AA

[Download the DWG file by clicking here.](#)

[To Section Index](#)

Corner Connection at Wind Column (Beam & Column Corner Column)
 Flush Sidewall / Inset or Flush Endwall
 WF02PQ/AA



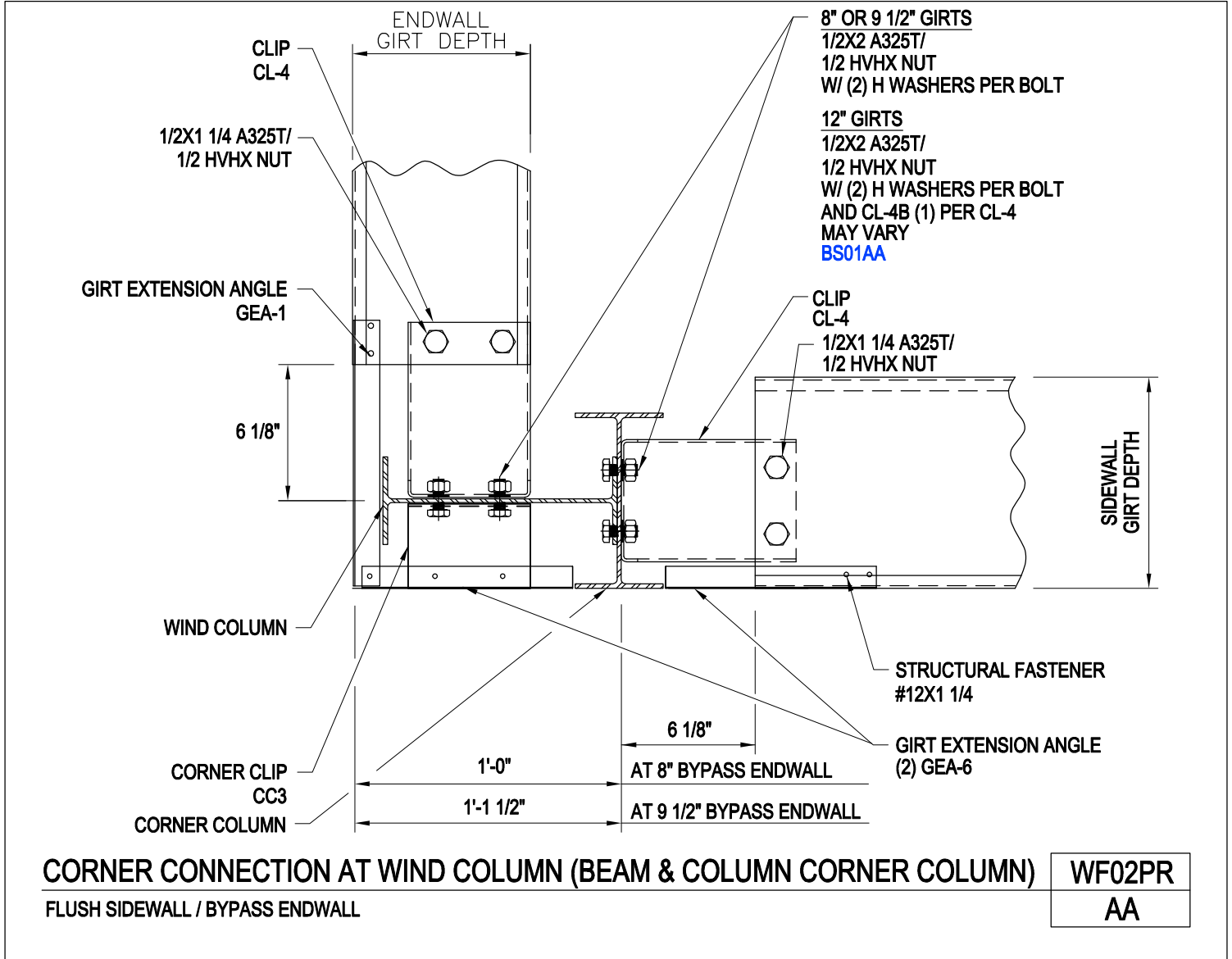
CORNER CONNECTION AT WIND COLUMN (BEAM & COLUMN CORNER COLUMN)
 FLUSH SIDEWALL / INSET OR FLUSH ENDWALL

WF02PQ
AA

[Download the DWG file by clicking here.](#)

[To Section Index](#)

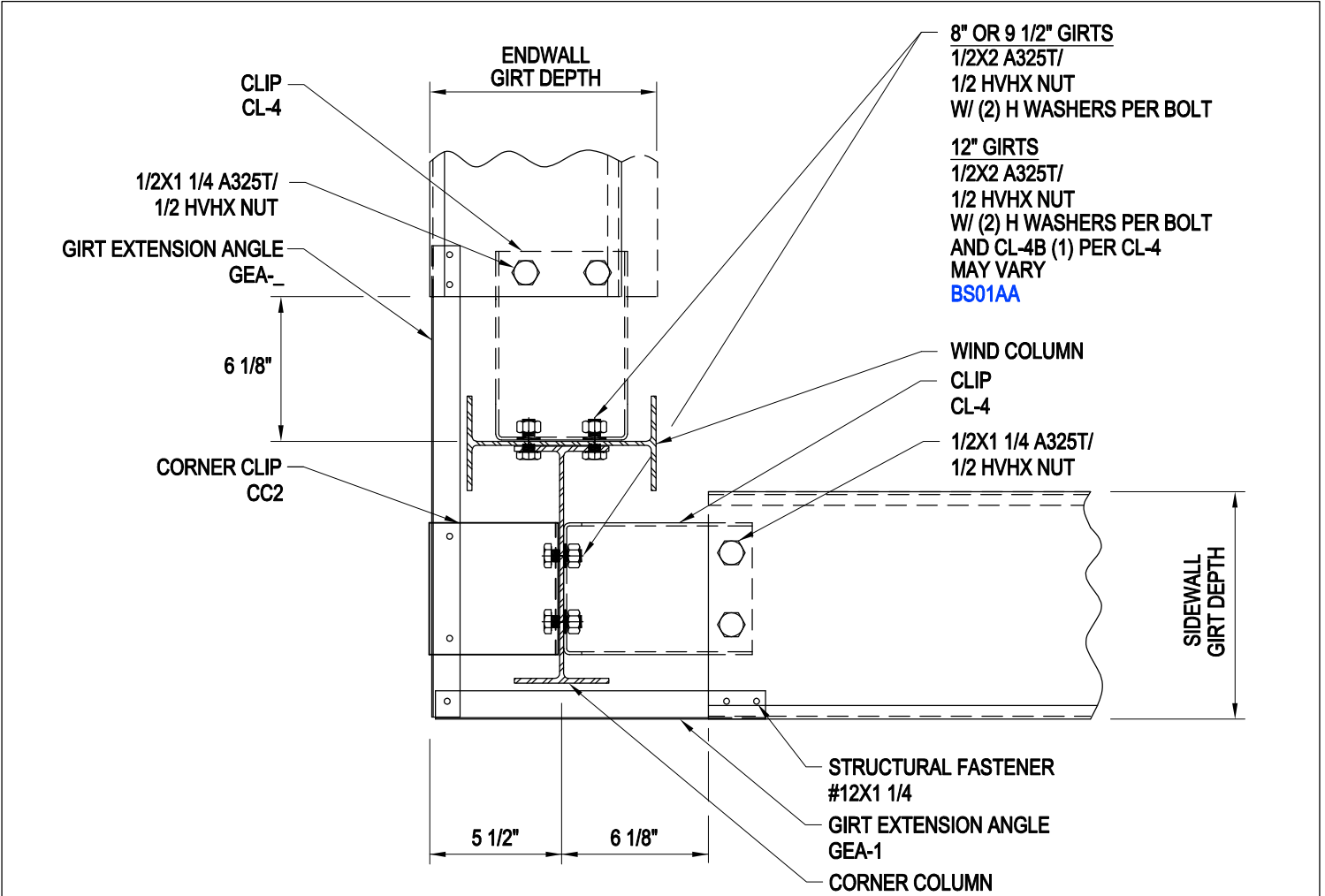
Corner Connection at Wind Column (Beam & Column Corner Column)
Flush Sidewall / Bypass Endwall
WF02PR/AA



[Download the DWG file by clicking here.](#)

[To Section Index](#)

Corner Connection at Wind Column (Beam & Column Corner Column)
 Inset Sidewall / Inset or Flush Endwall
 WF02QQ/AA



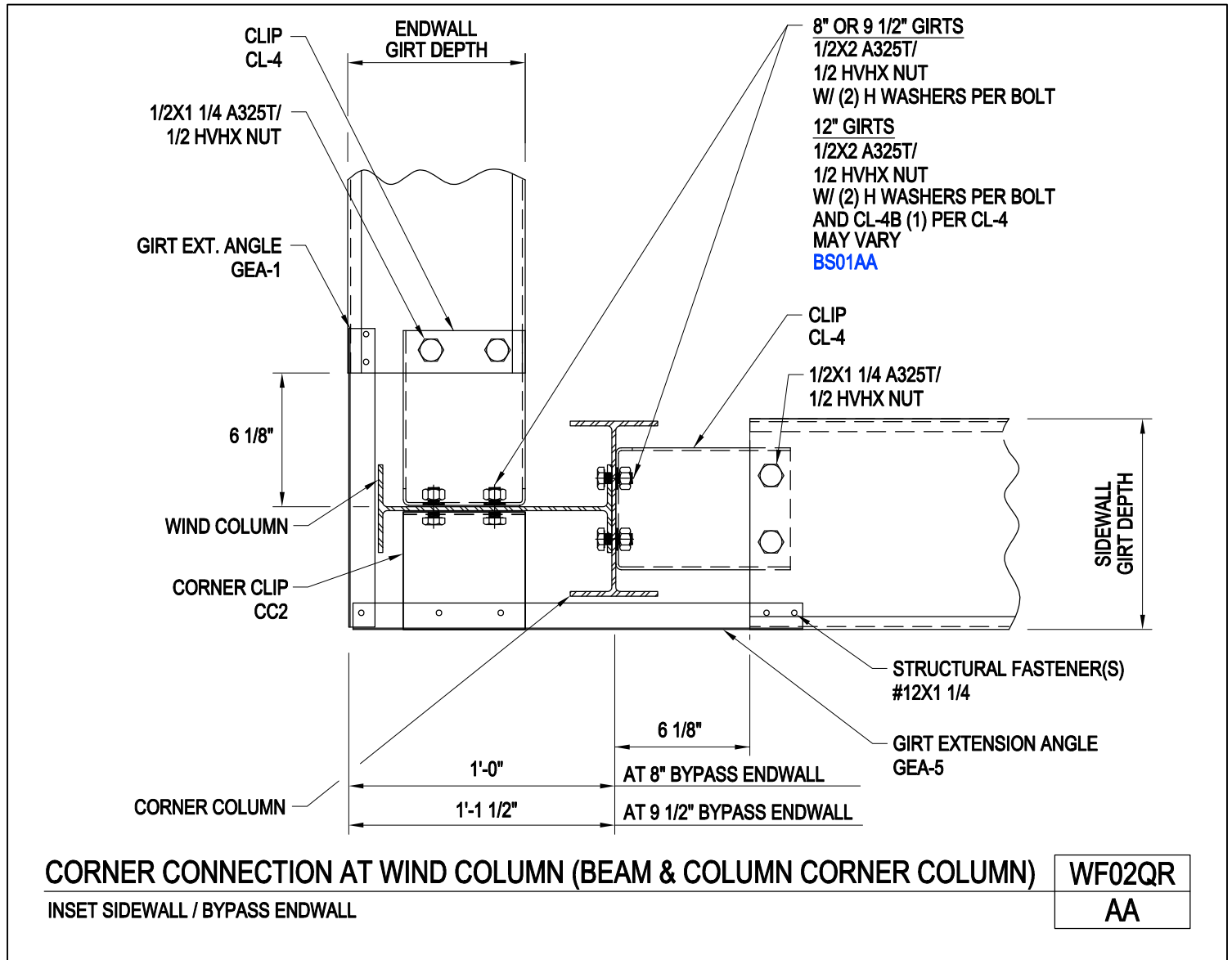
CORNER CONNECTION AT WIND COLUMN (BEAM & COLUMN CORNER COLUMN)
 INSET SIDEWALL / INSET OR FLUSH ENDWALL

WF02QQ
AA

[Download the DWG file by clicking here.](#)

[To Section Index](#)

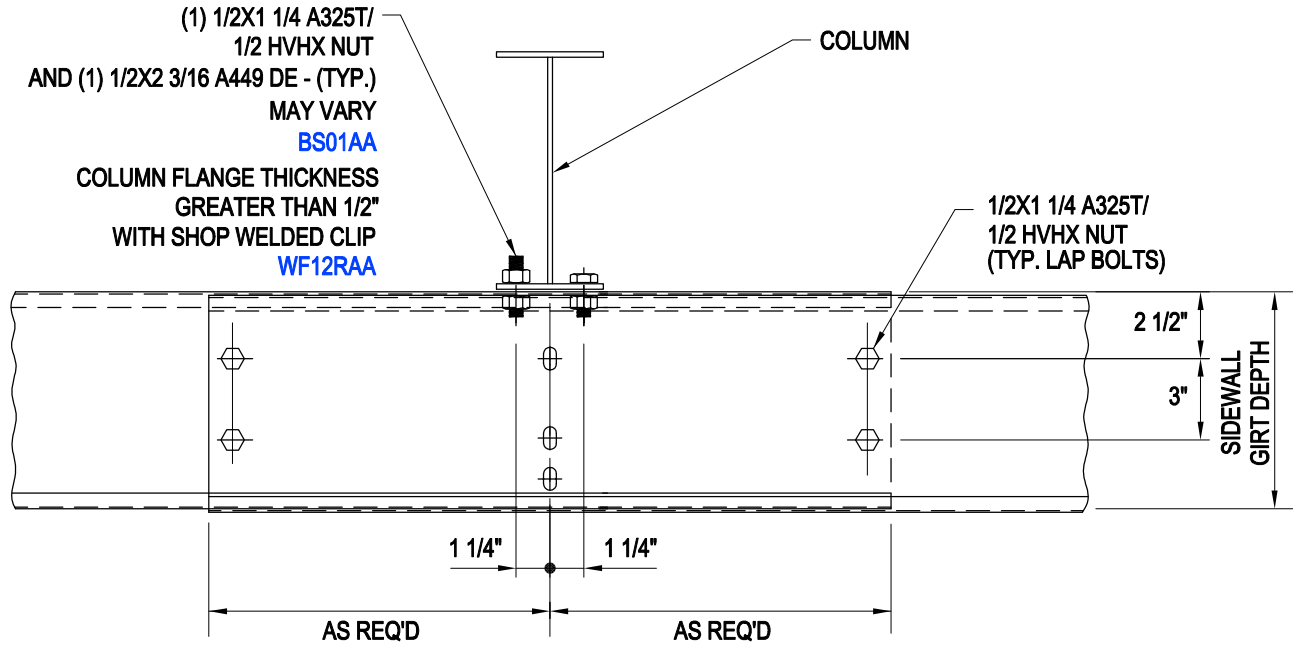
Corner Connection at Wind Column (Beam & Column Corner Column)
Inset Sidewall/Bypass Endwall
WF02QR/AA



[Download the DWG file by clicking here.](#)

[To Section Index](#)

Bypass Lapped Zee Girt Connection
 Column Flange Thickness Less Than or Equal to 1/2"
 WF02R/AA



BYPASS LAPPED ZEE GIRT CONNECTION

COLUMN FLANGE THICKNESS LESS THAN OR EQUAL TO 1/2"

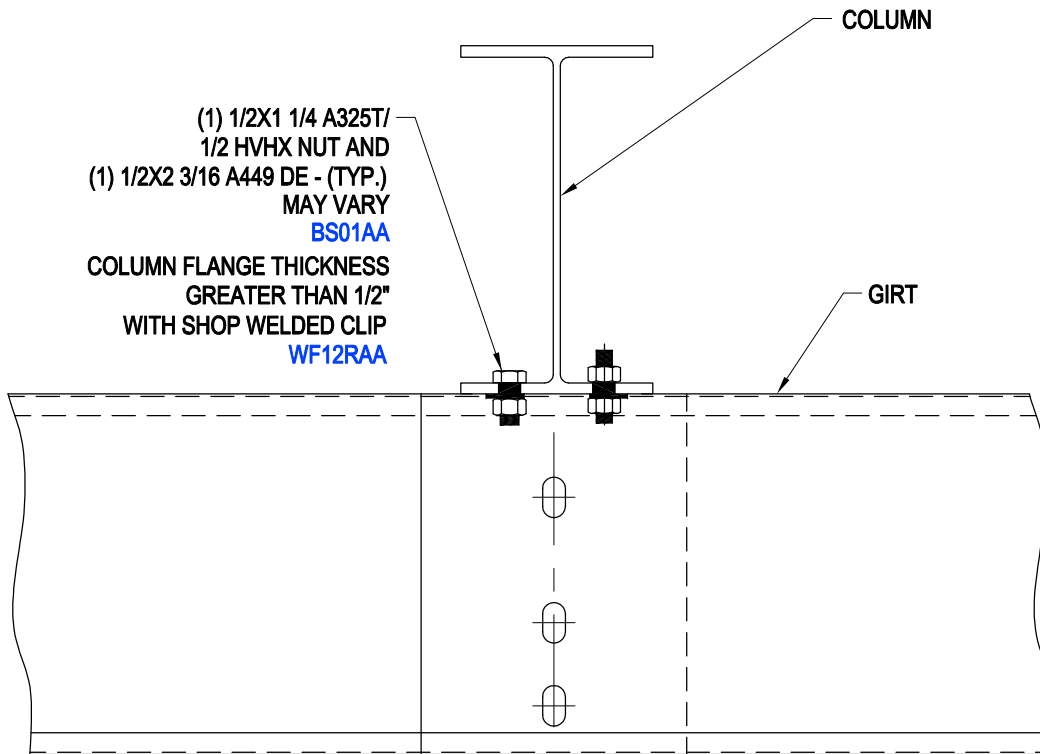
WF02R

AA

[Download the DWG file by clicking here.](#)

[To Section Index](#)

6" Pinned Zee Girt Lap
Column Flange Thickness Less than or Equal to 1/2"
WF02RA/AA



COLUMN FLANGE THICKNESS LESS THAN OR EQUAL TO 1/2"

6" PINNED ZEE GIRT LAP

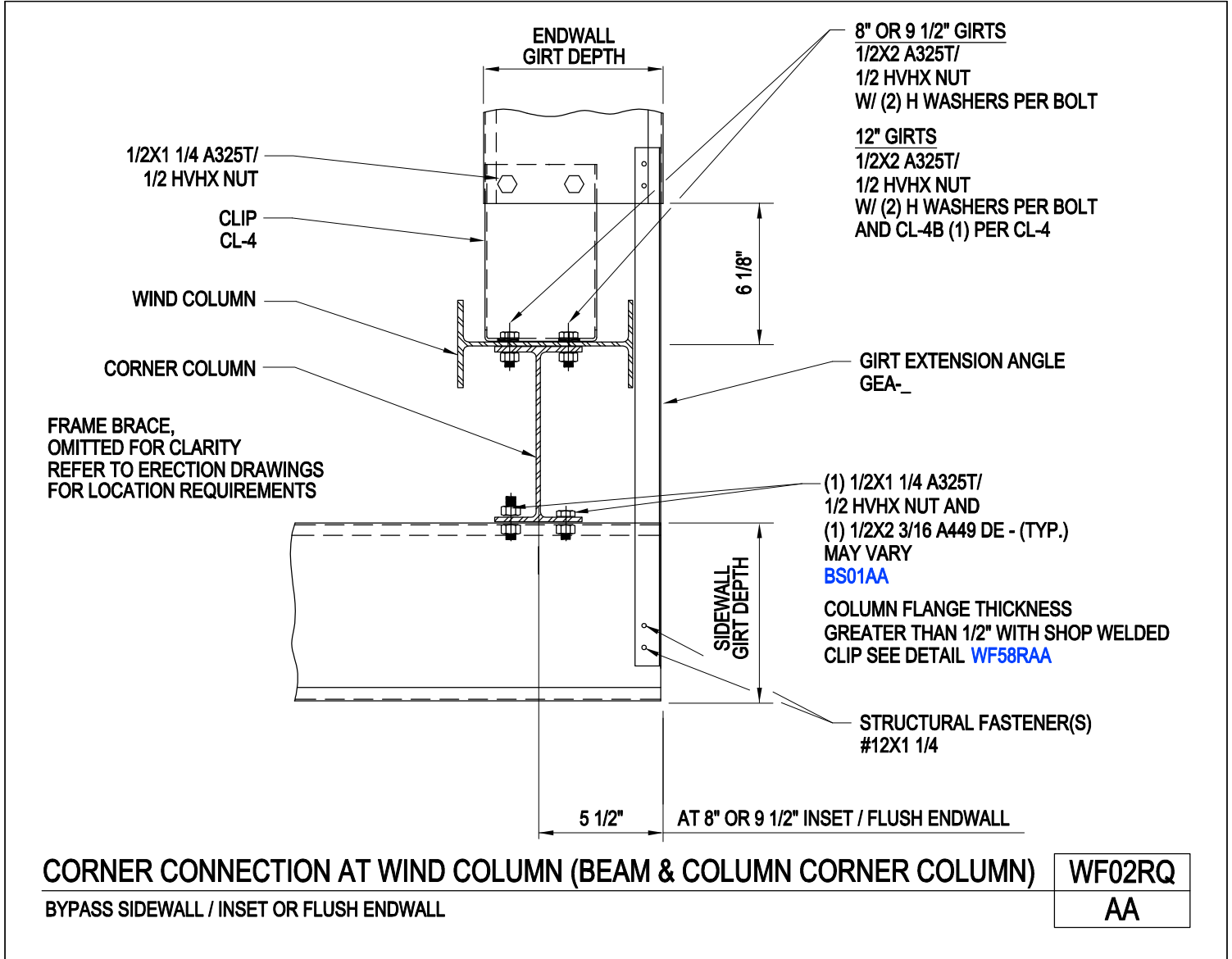
COLUMN FLANGE THICKNESS LESS THAN OR EQUAL TO 1/2"

WF02RA
AA

[Download the DWG file by clicking here.](#)

[To Section Index](#)

Corner Connection at Wind Column (Beam & Column Corner Column)
 Bypass Sidewall / Inset or Flush Endwall
 WF02RQ/AA

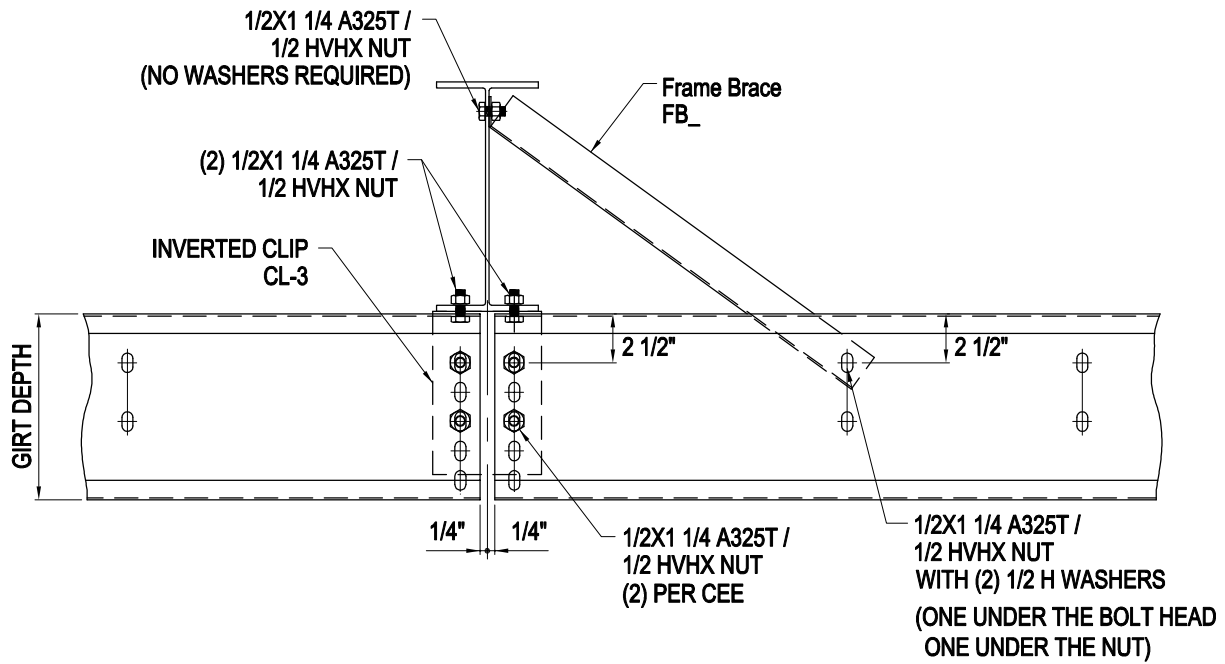


[Download the DWG file by clicking here.](#)

[To Section Index](#)

Bypass Cee Girt to Interior Column

WF02RY/AA



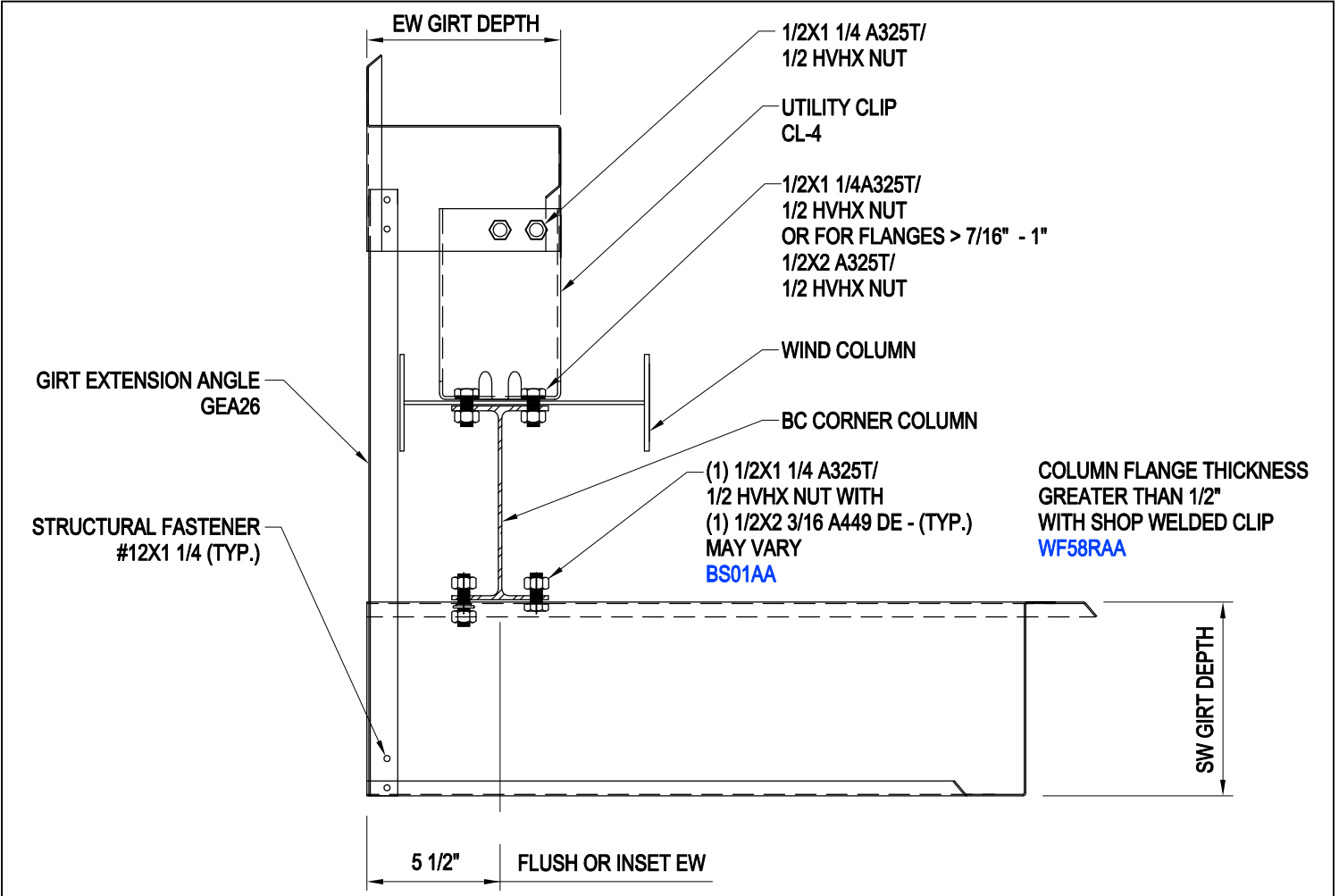
BYPASS CEE GIRT TO INTERIOR COLUMN

WF02RY
AA

[Download the DWG file by clicking here.](#)

[To Section Index](#)

Corner Girt Connection at Beam/Column Endwall with Wind Column
 Bypass Sidewall / Flush or Inset Endwall
 WF02W/AA

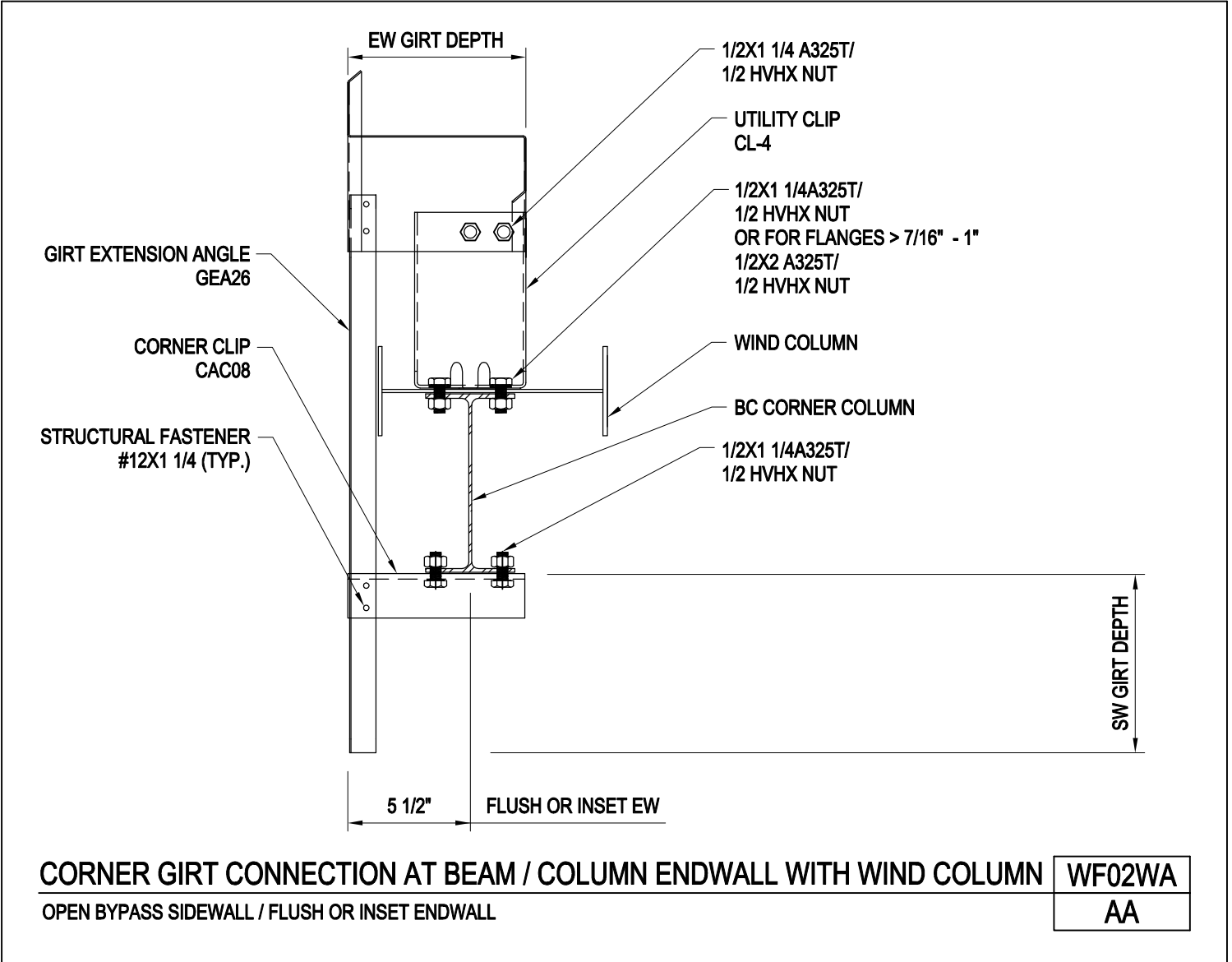


CORNER GIRT CONNECTION AT BEAM / COLUMN ENDWALL WITH WIND COLUMN WF02W
 BYPASS SIDEWALL / FLUSH OR INSET ENDWALL AA

[Download the DWG file by clicking here.](#)

[To Section Index](#)

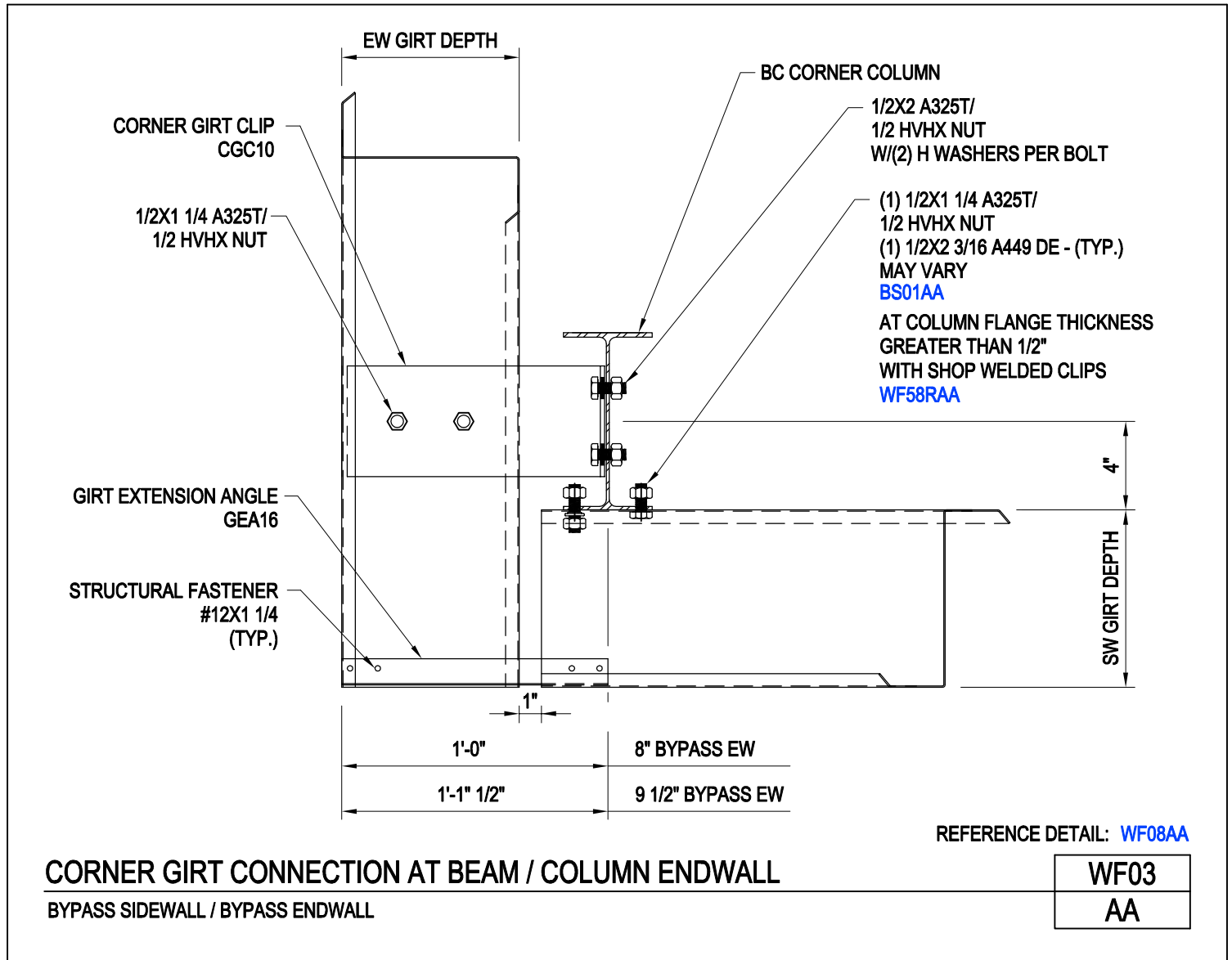
Corner Girt Connection at Beam/Column Endwall with Wind Column
Open Bypass Sidewall / Flush or Inset Endwall
WF02WA/AA



[Download the DWG file by clicking here.](#)

[To Section Index](#)

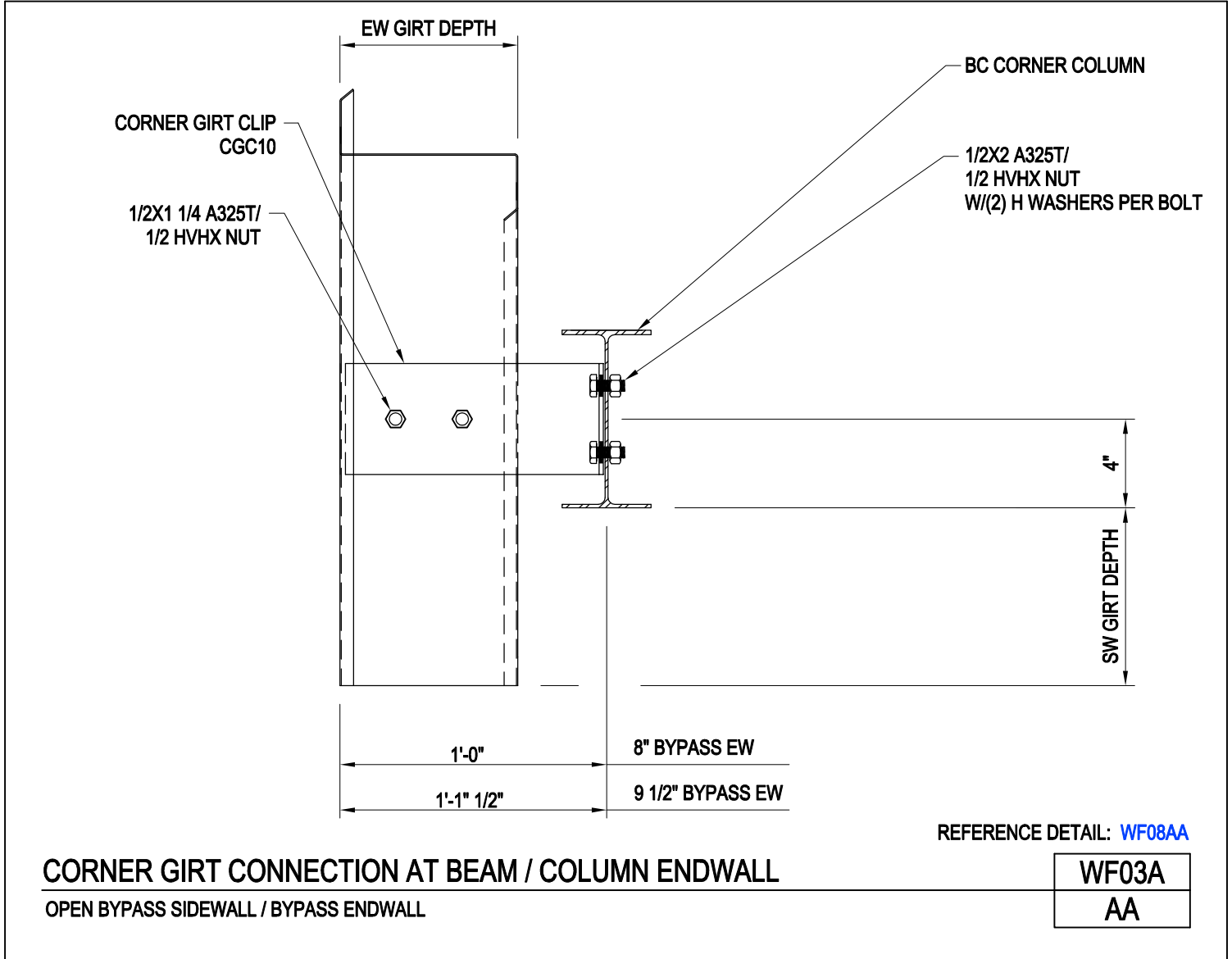
Corner Girt Connection at Beam / Column Endwall
Bypass Sidewall / Bypass Endwall
WF03/AA



[Download the DWG file by clicking here.](#)

[To Section Index](#)

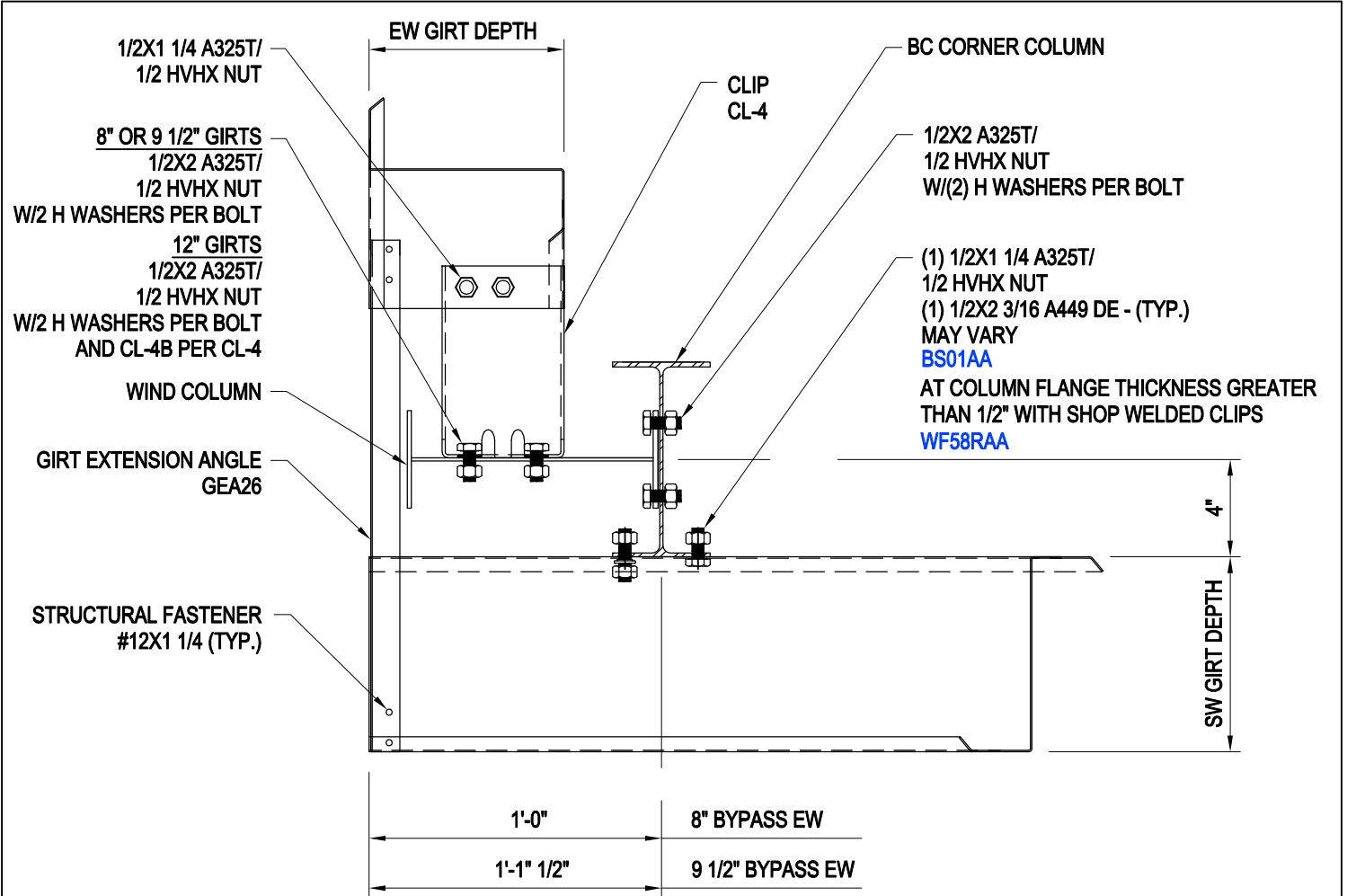
Corner Girt Connection at Beam / Column Endwall
Open Bypass Sidewall / Bypass Endwall
WF03A/AA



[Download the DWG file by clicking here.](#)

[To Section Index](#)

Corner Girt Connection at Beam / Column Endwall with Wind Column
Bypass Sidewall / Bypass Endwall
WF03W/AA



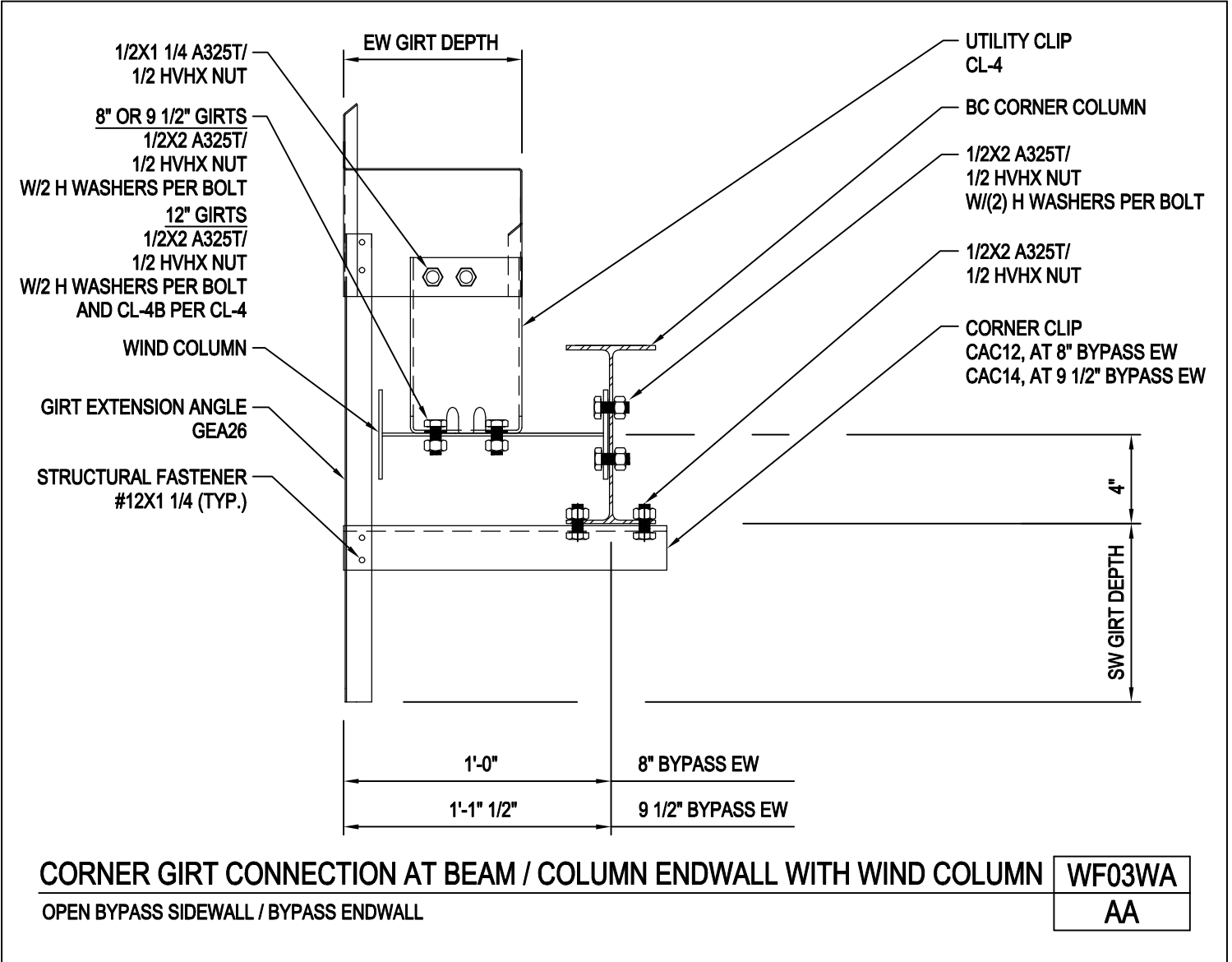
CORNER GIRT CONNECTION AT BEAM / COLUMN ENDWALL WITH WIND COLUMN
BYPASS SIDEWALL / BYPASS ENDWALL

WF03W
AA

[Download the DWG file by clicking here.](#)

[To Section Index](#)

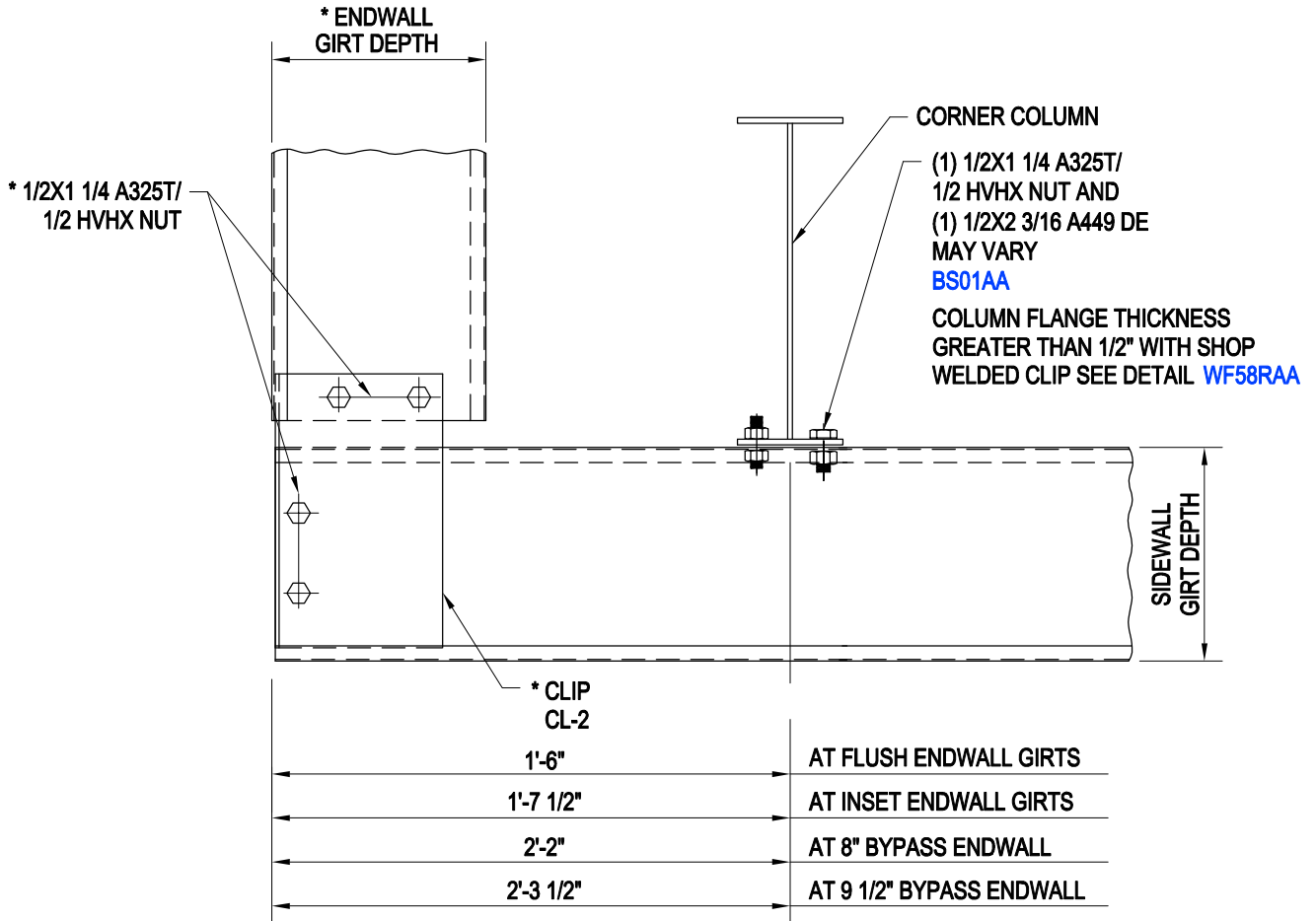
Corner Girt Connection at Beam/Column Endwall with Wind Column
 Open Bypass Sidewall / Bypass Endwall
 WF03WA/AA



[Download the DWG file by clicking here.](#)

[To Section Index](#)

Corner Girt Connection (Rigid Frame Corner Column)
Bypass Sidewall / Bypass, Inset or Flush Endwall
WF04/AA



* NOT REQUIRED IF OPEN ENDWALL

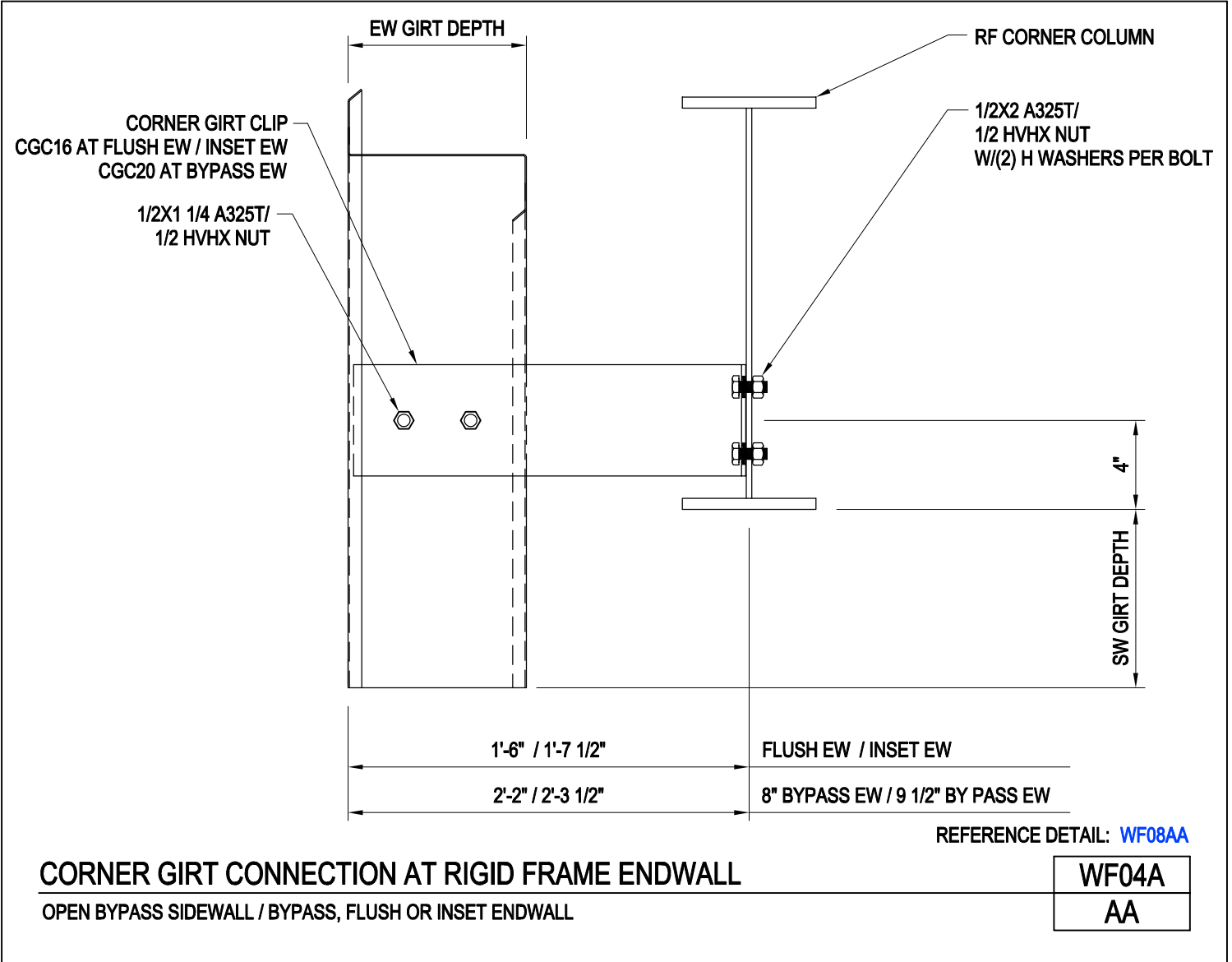
CORNER GIRTS CONNECTION (RIGID FRAME CORNER COLUMN)
BYPASS SIDEWALL / BYPASS, INSET OR FLUSH ENDWALL

WF04
AA

[Download the DWG file by clicking here.](#)

[To Section Index](#)

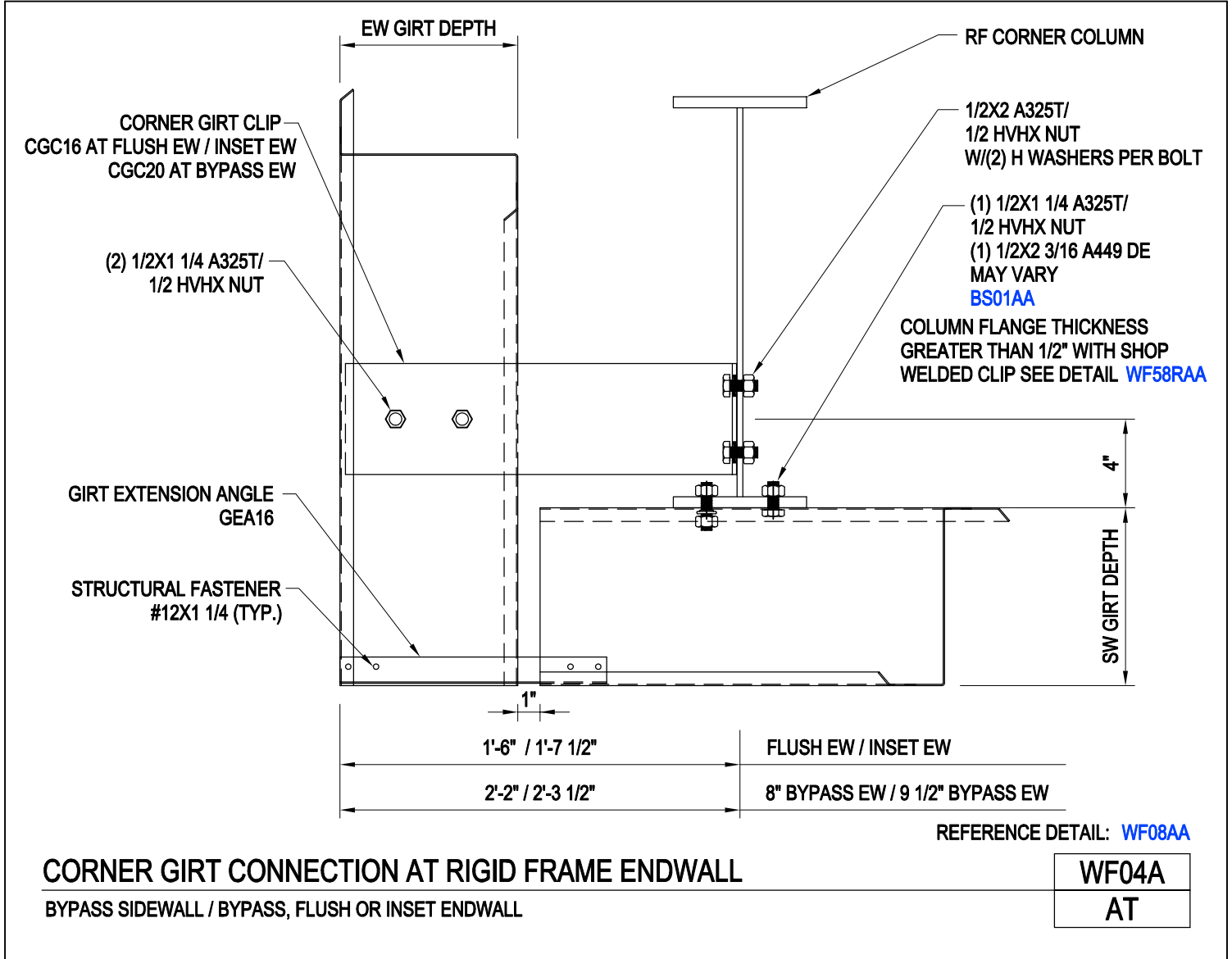
Corner Girt Connection at Rigid Frame Endwall
 Open Bypass Sidewall / Bypass, Flush, or Inset Endwall
 WF04A/AA



[Download the DWG file by clicking here.](#)

[To Section Index](#)

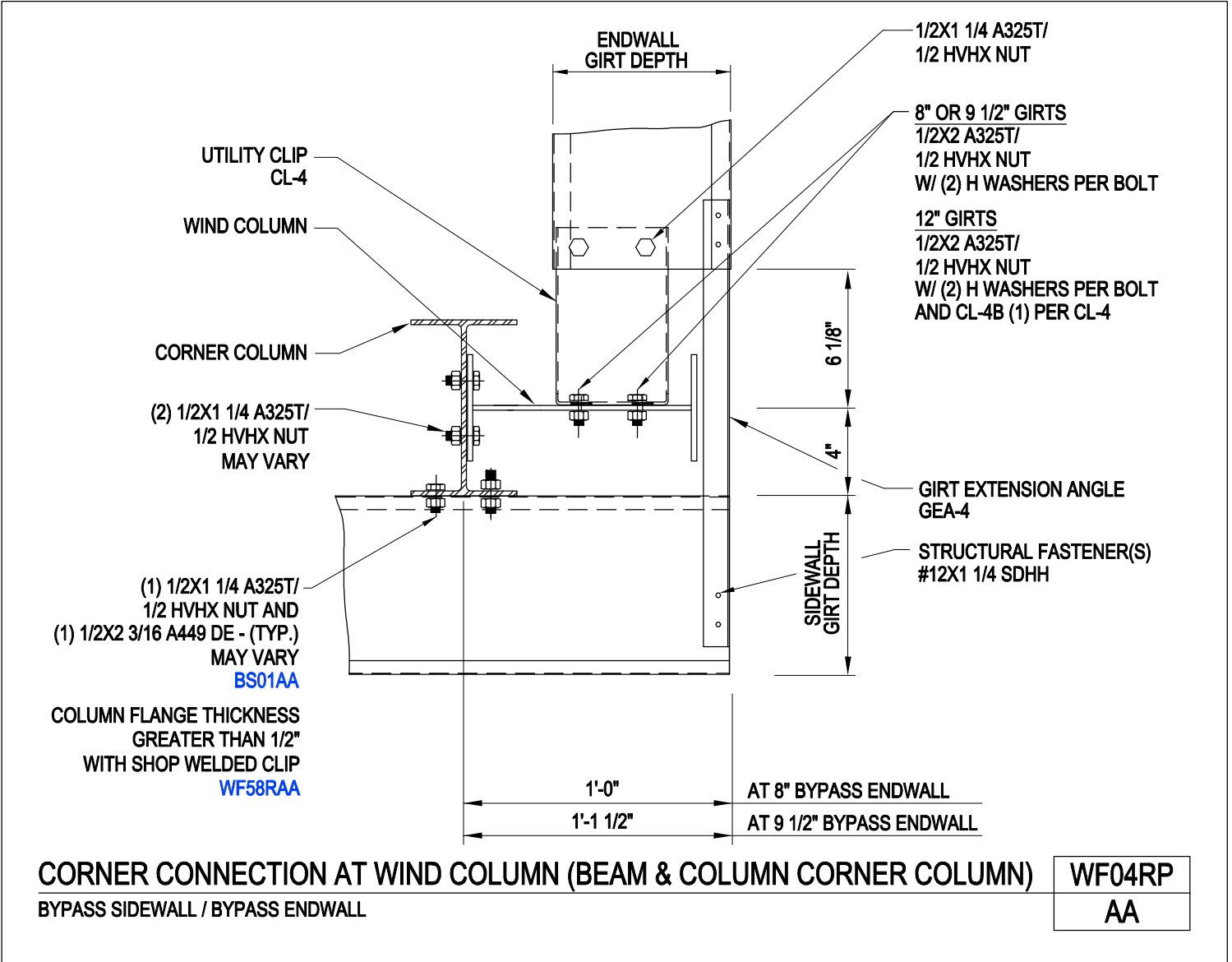
Corner Girt Connection at Rigid Frame Endwall
 Bypass Sidewall / Bypass, Inset, or Flush Endwall
 WF04A/AT



[Download the DWG file by clicking here.](#)

[To Section Index](#)

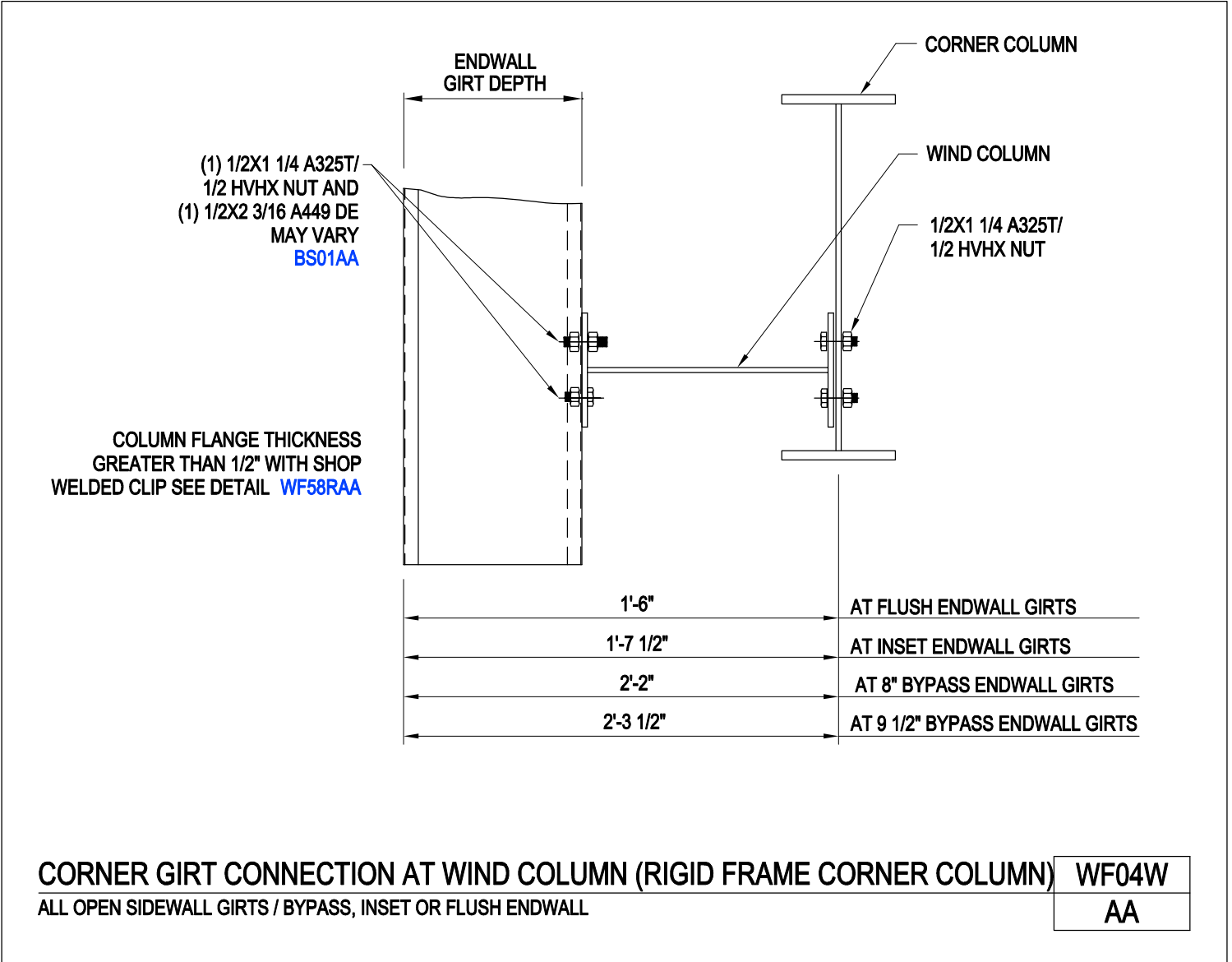
Corner Connection at Wind Column (Beam & Column Corner Column)
 Bypass Sidewall / Bypass Endwall
 WF04RP/AA



[Download the DWG file by clicking here.](#)

[To Section Index](#)

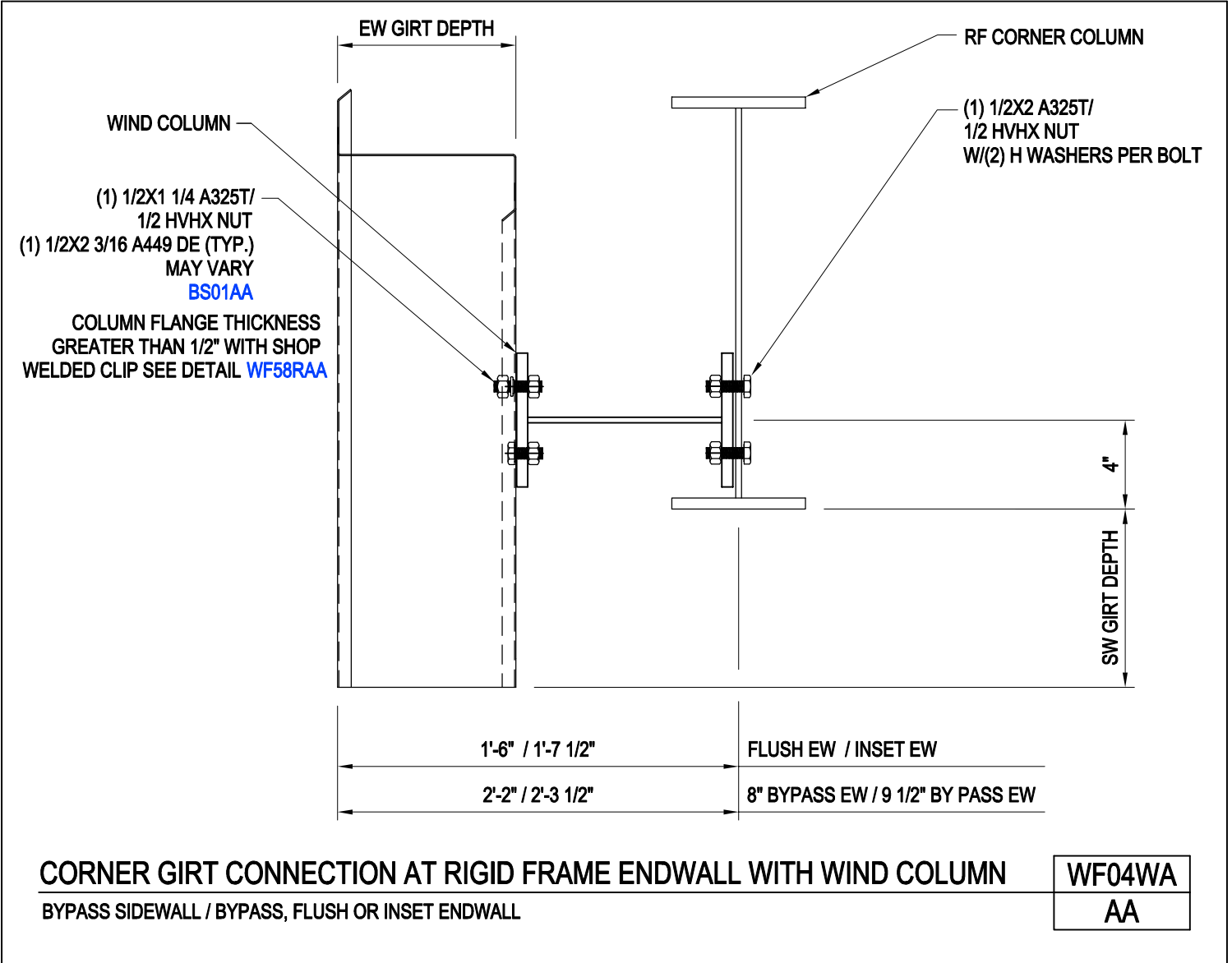
Corner Girt Connection at Wind Column (Rigid Frame Corner Column)
All Open Sidewall Girts / Bypass, Inset, or Flush Endwall
WF04W/AA



[Download the DWG file by clicking here.](#)

[To Section Index](#)

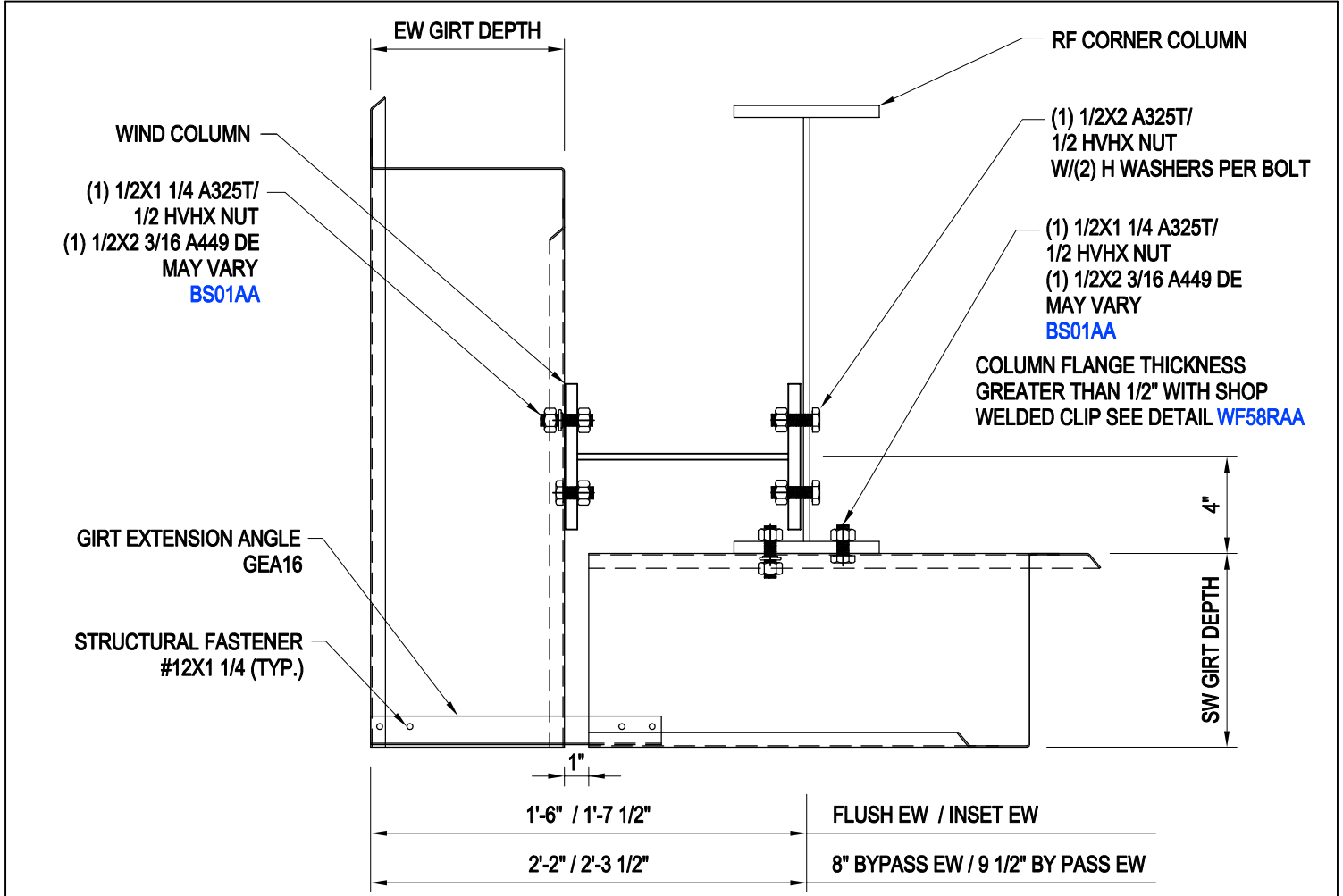
Corner Girt Connection at Rigid Frame Endwall with Wind Column
 Bypass Sidewall / Bypass, Flush, or Inset Endwall
 WF04WA/AA



[Download the DWG file by clicking here.](#)

[To Section Index](#)

Corner Girt Connection at Rigid Frame Endwall with Wind Column
 Bypass Sidewall / Bypass, Flush, or Inset Endwall
 WF04WA/AT



CORNER GIRT CONNECTION AT RIGID FRAME ENDWALL WITH WIND COLUMN

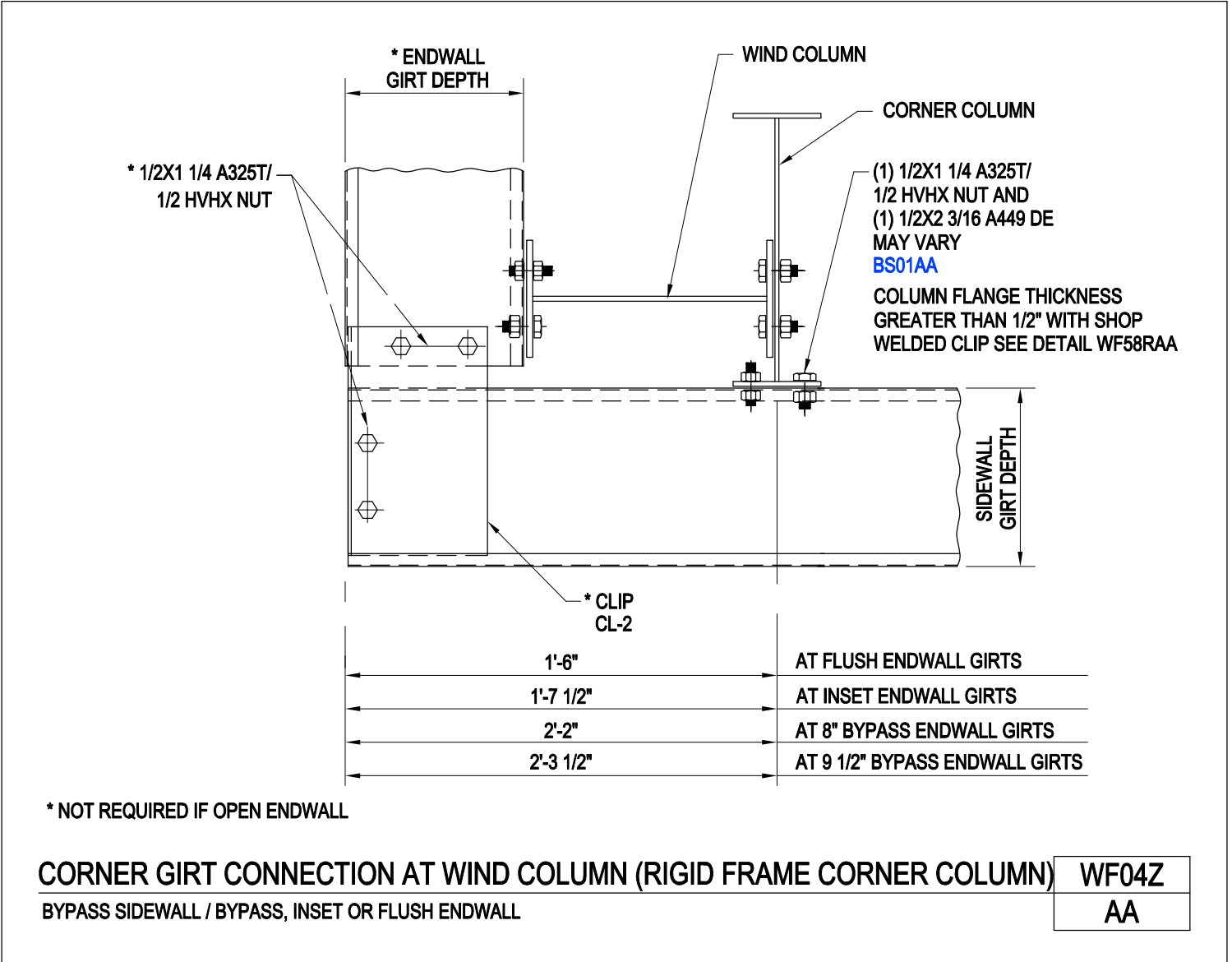
BYPASS SIDEWALL / BYPASS, FLUSH OR INSET ENDWALL

WF04WA
AT

[Download the DWG file by clicking here.](#)

[To Section Index](#)

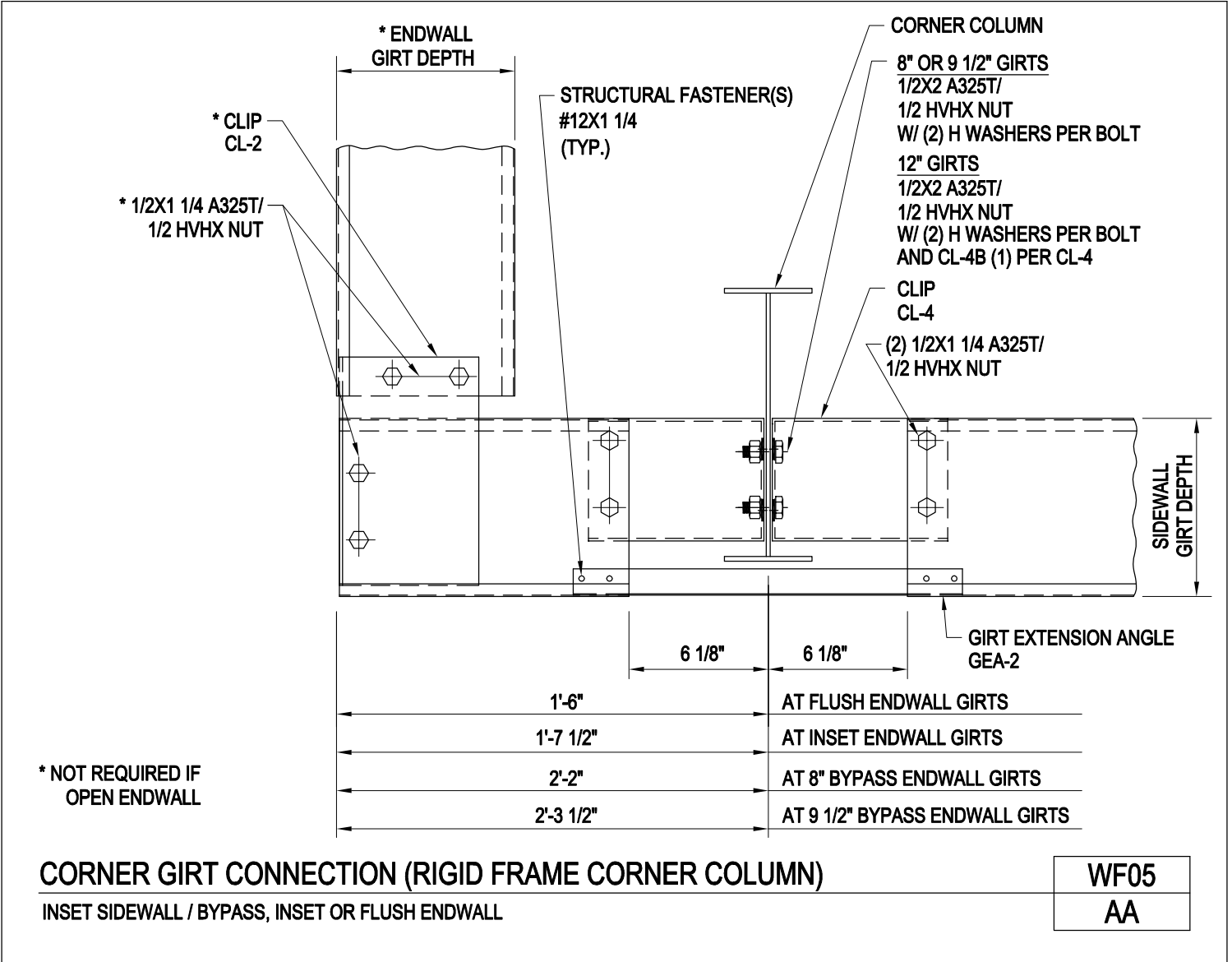
Corner Girt Connection at Wind Column (Rigid Frame Corner Column)
 Bypass Sidewall / Bypass, Inset, or Flush Endwall
 WF04Z/AA



[Download the DWG file by clicking here.](#)

[To Section Index](#)

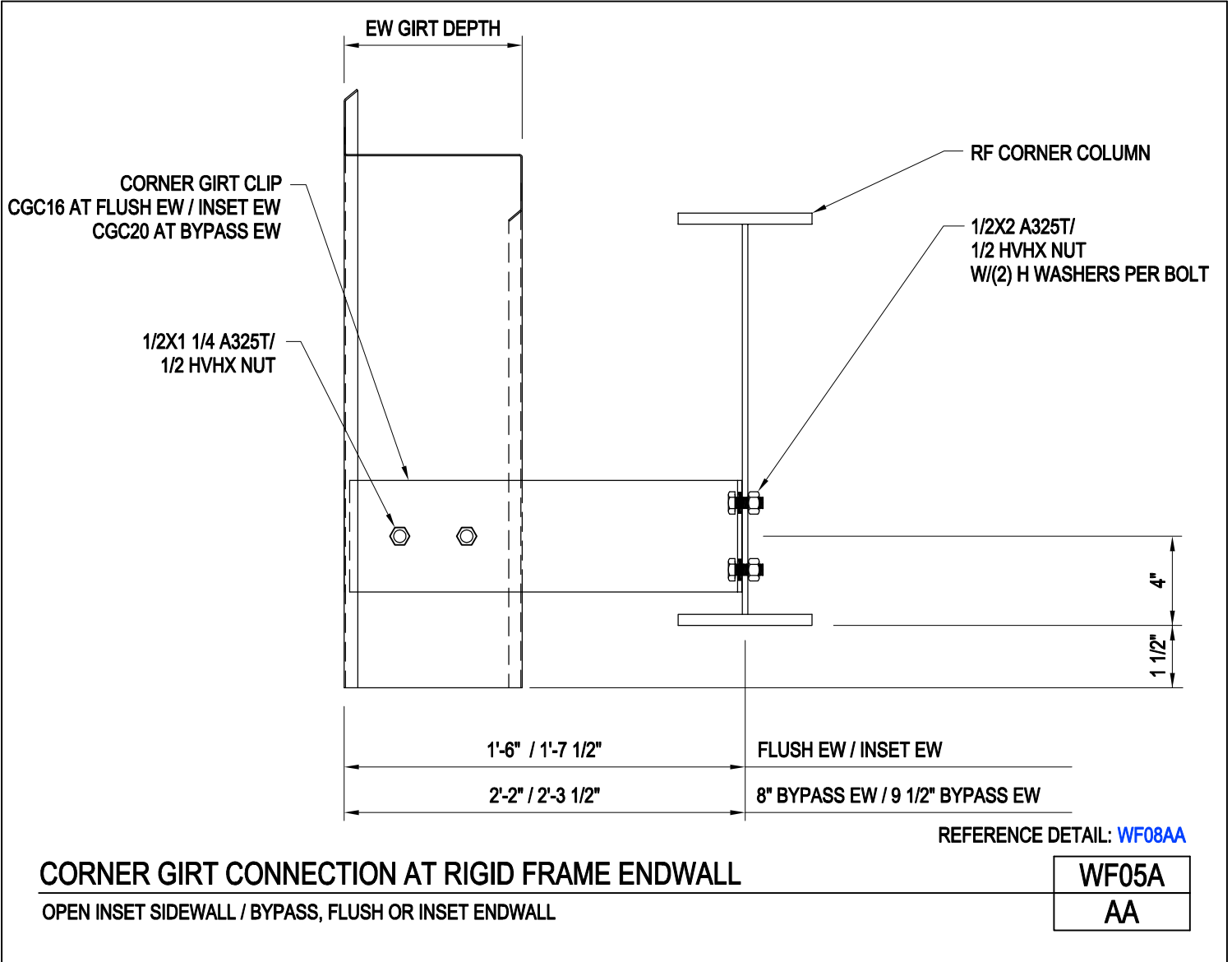
Corner Girt Connection (Rigid Frame Corner Column)
 Inset Sidewall / Bypass, Inset, or Flush Endwall
 WF05/AA



[Download the DWG file by clicking here.](#)

[To Section Index](#)

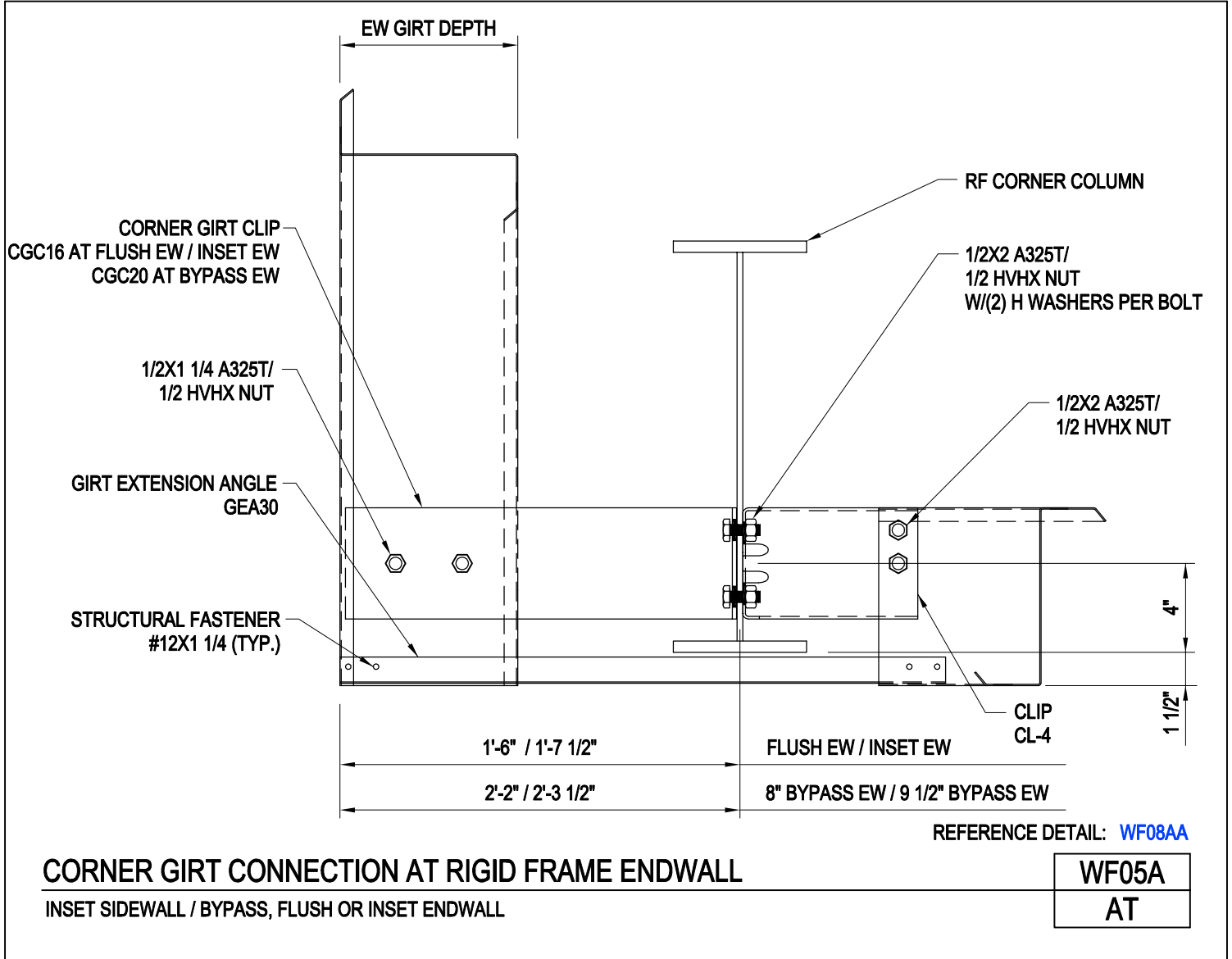
Corner Girt Connection at Rigid Frame Endwall
 Open Inset Sidewall / Bypass, Flush, or Inset Endwall
 WF05A/AA



[Download the DWG file by clicking here.](#)

[To Section Index](#)

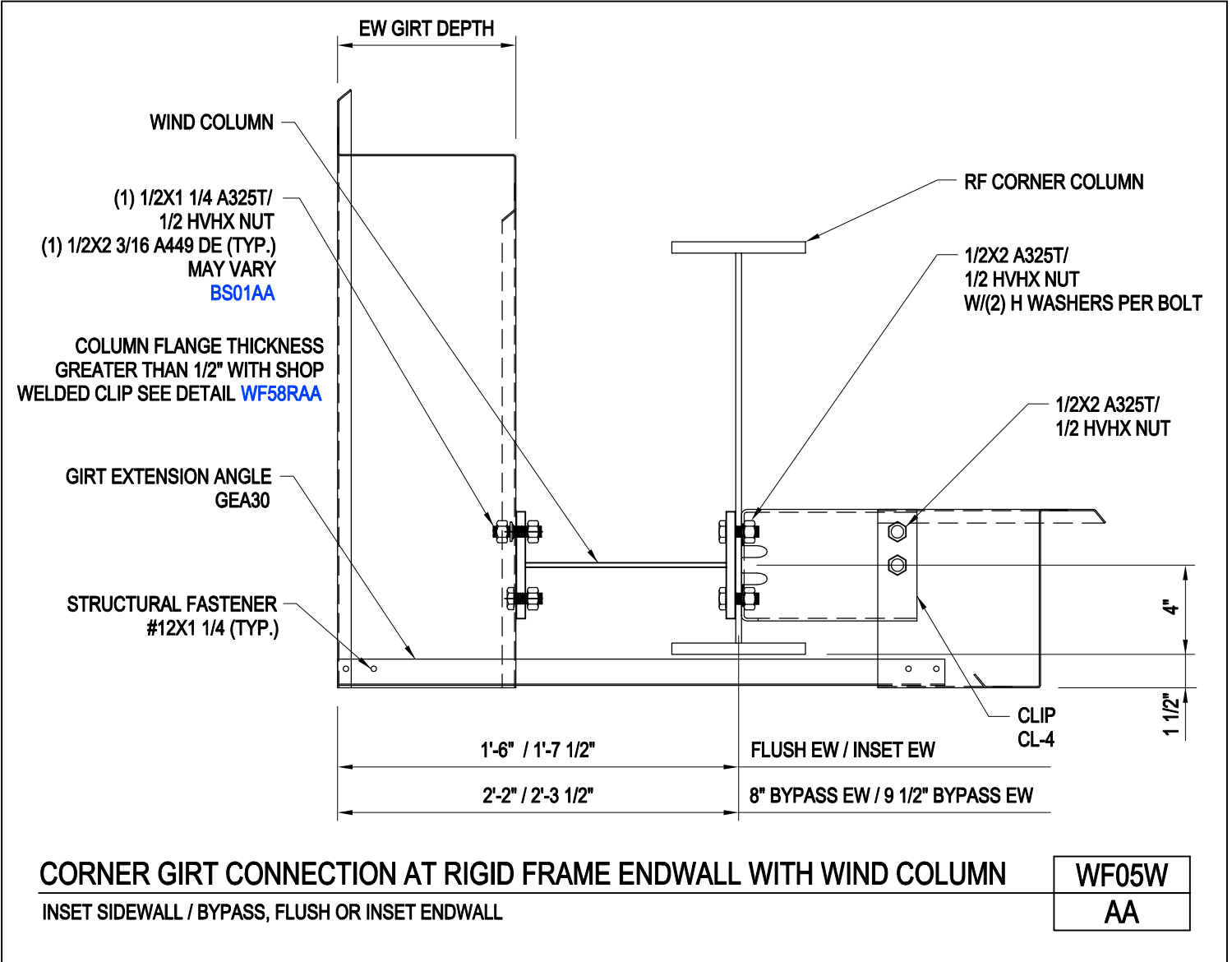
Corner Girt Connection at Rigid Frame Endwall
 Inset Sidewall / Bypass, Flush, or Inset Endwall
 WF05A/AT



[Download the DWG file by clicking here.](#)

[To Section Index](#)

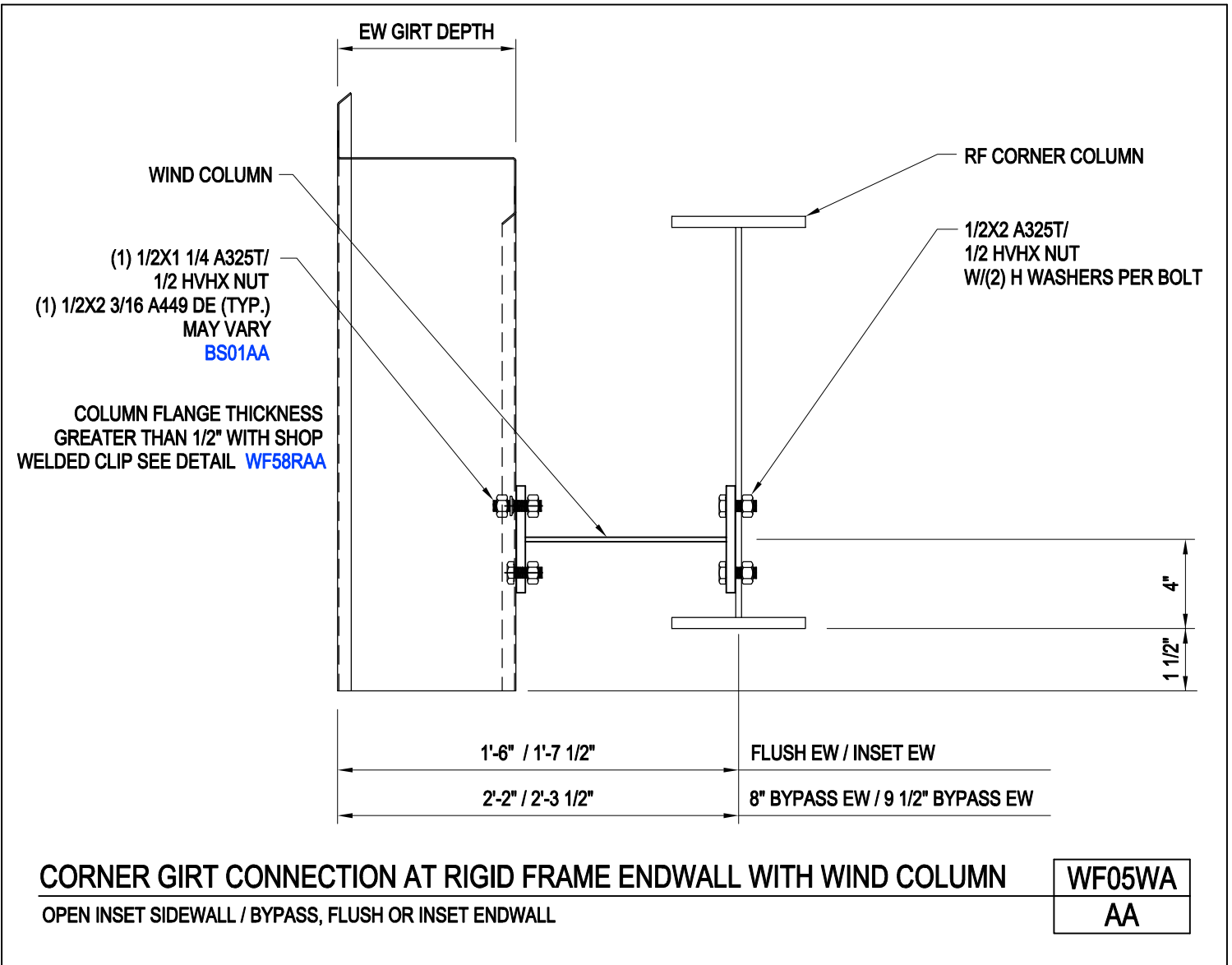
Corner Girt Connection at Rigid Frame Endwall with Wind Column
Inset Sidewall / Bypass, Flush, or Inset Endwall
WF05W/AA



[Download the DWG file by clicking here.](#)

[To Section Index](#)

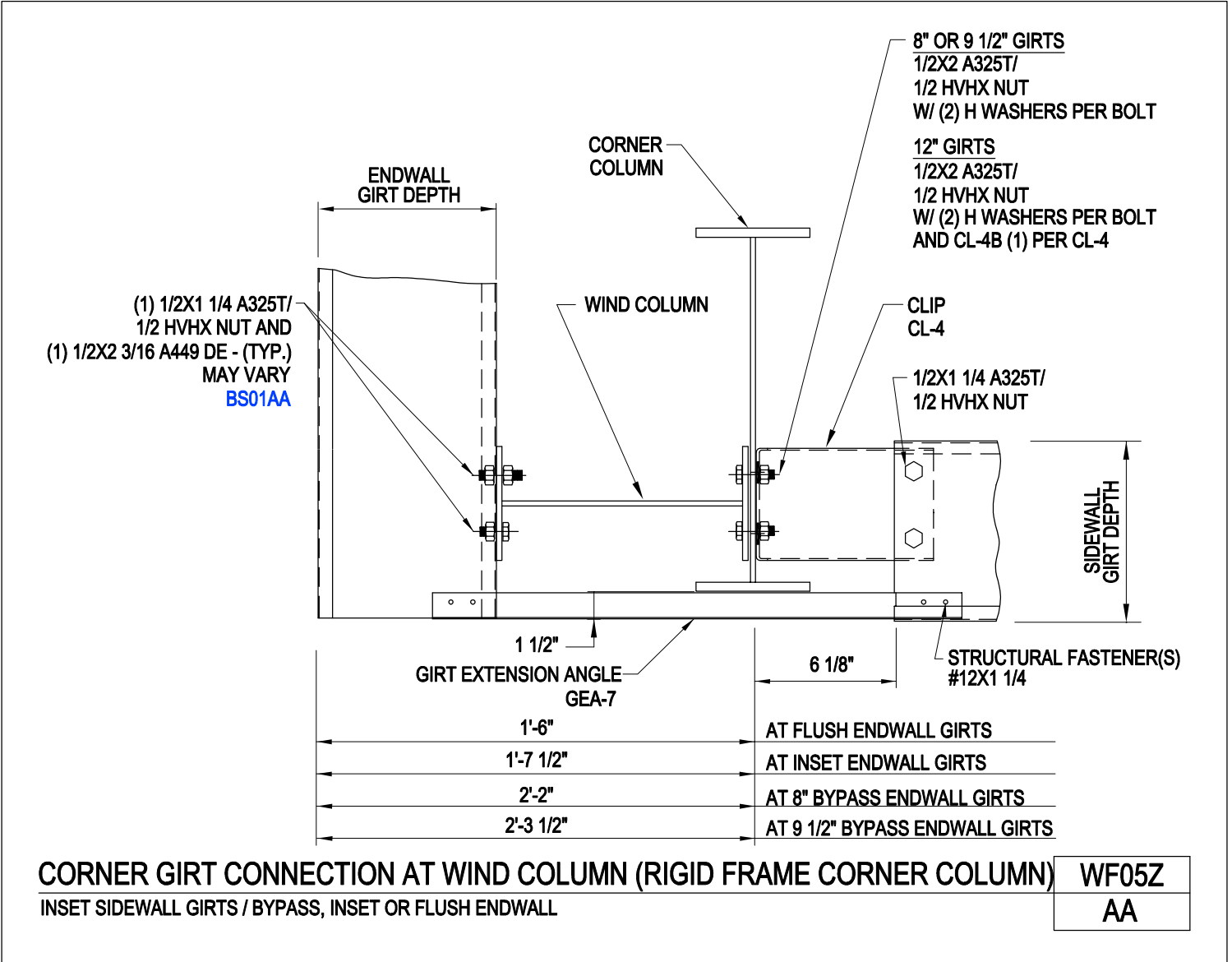
Corner Girt Connection at Rigid Frame Endwall with Wind Column
 Open Inset Sidewall / Bypass, Flush, or Inset Endwall
 WF05WA/AA



[Download the DWG file by clicking here.](#)

[To Section Index](#)

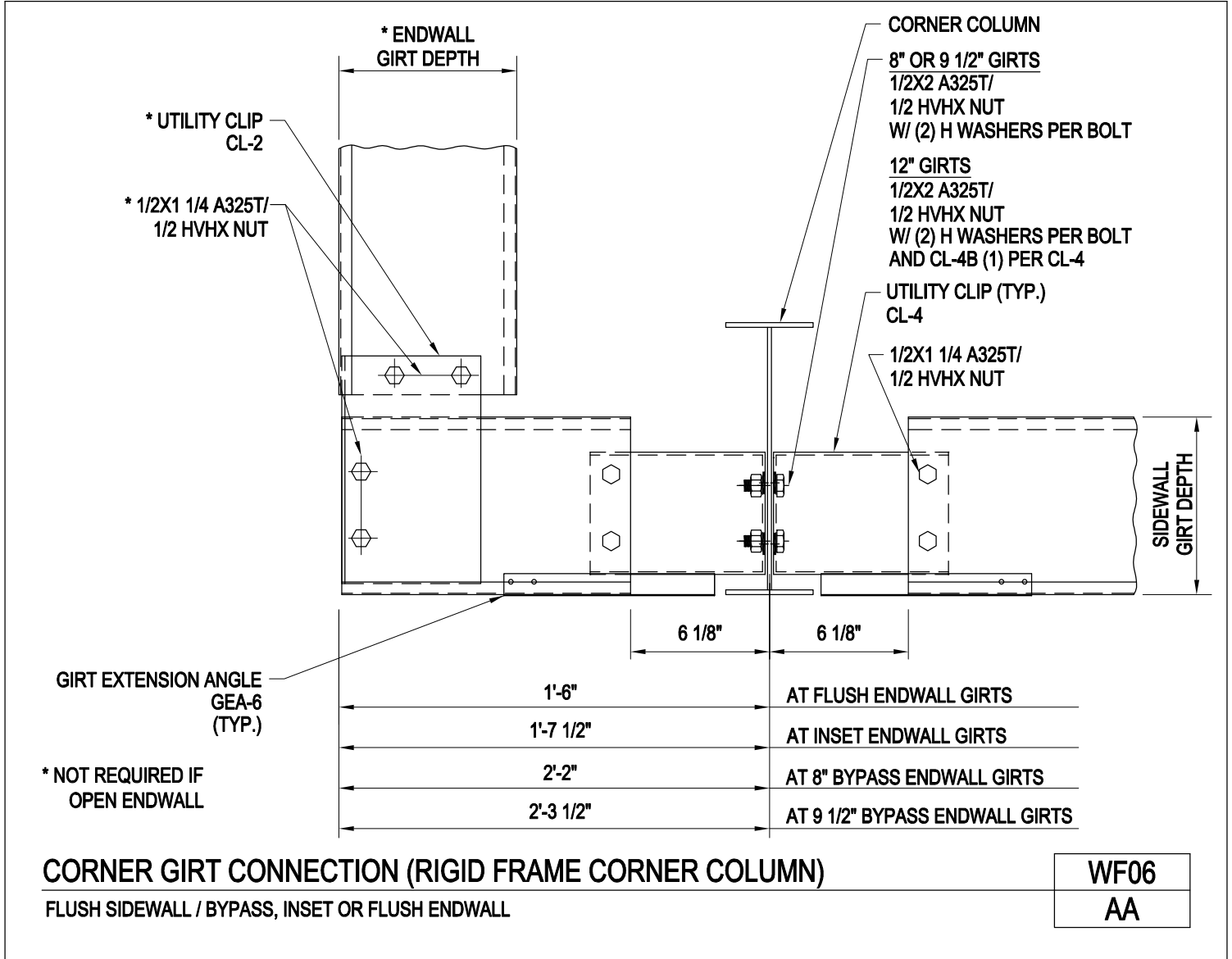
Corner Girt Connection at Wind Column (Rigid Frame Corner Column)
Inset Sidewall Girts / Bypass, Inset, or Flush Endwall
WF05Z/AA



[Download the DWG file by clicking here.](#)

[To Section Index](#)

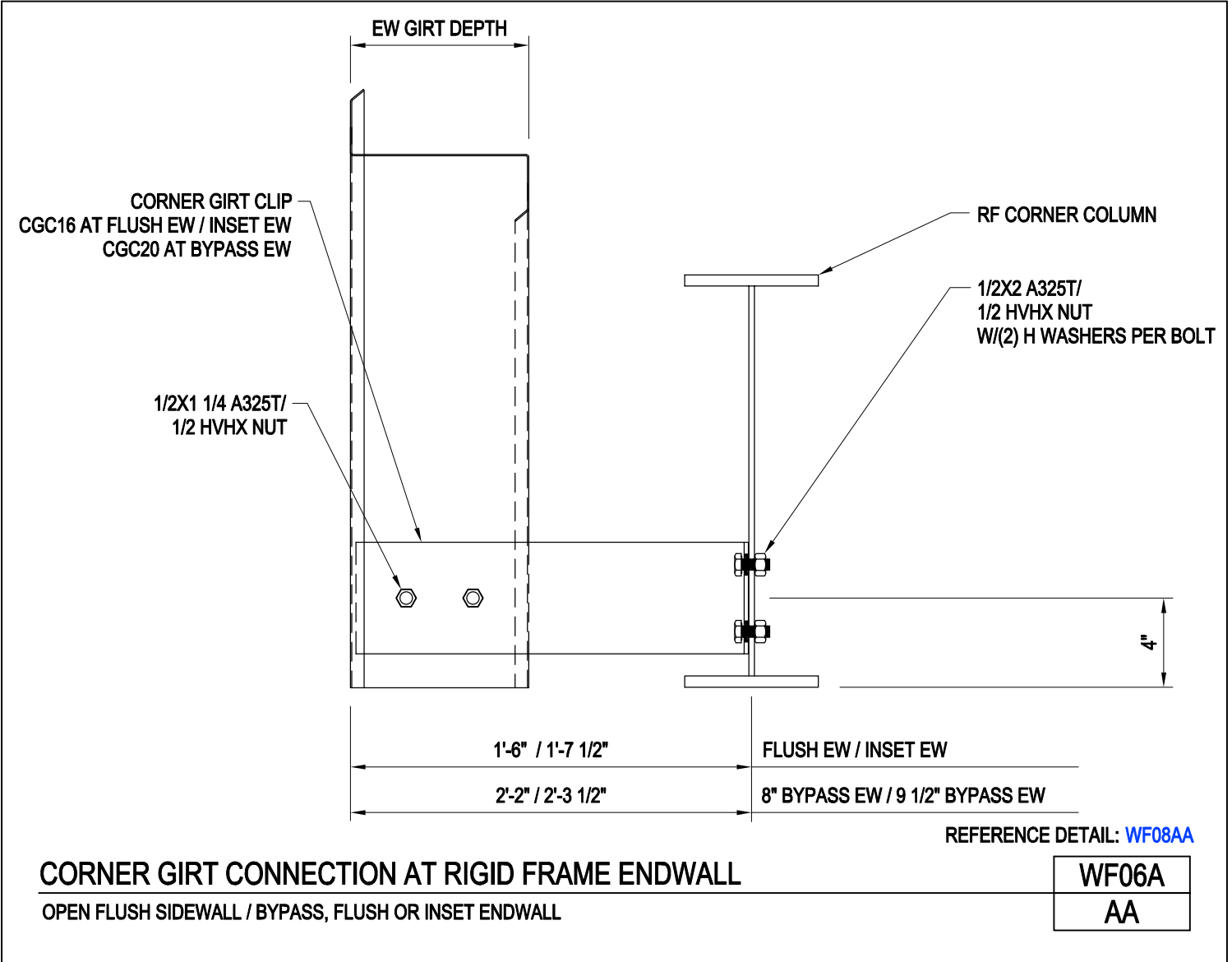
Corner Girt Connection (Rigid Frame Corner Column)
 Flush Sidewall / Bypass, Inset, or Flush Endwall
 WF06/AA



[Download the DWG file by clicking here.](#)

[To Section Index](#)

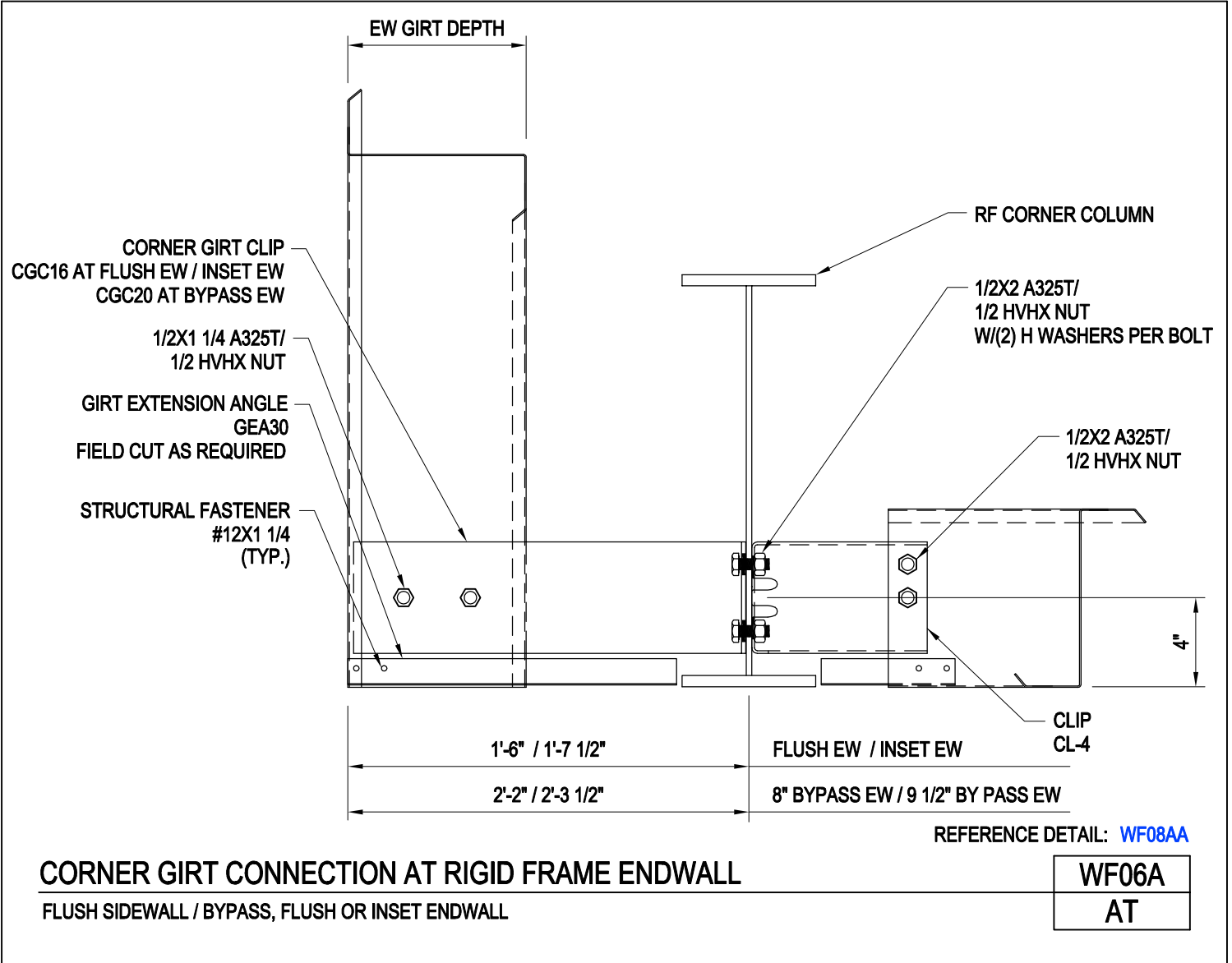
Corner Girt Connection at Rigid Frame Endwall
Open Flush Sidewall / Bypass, Flush, or Inset Endwall
WF06A/AA



[Download the DWG file by clicking here.](#)

[To Section Index](#)

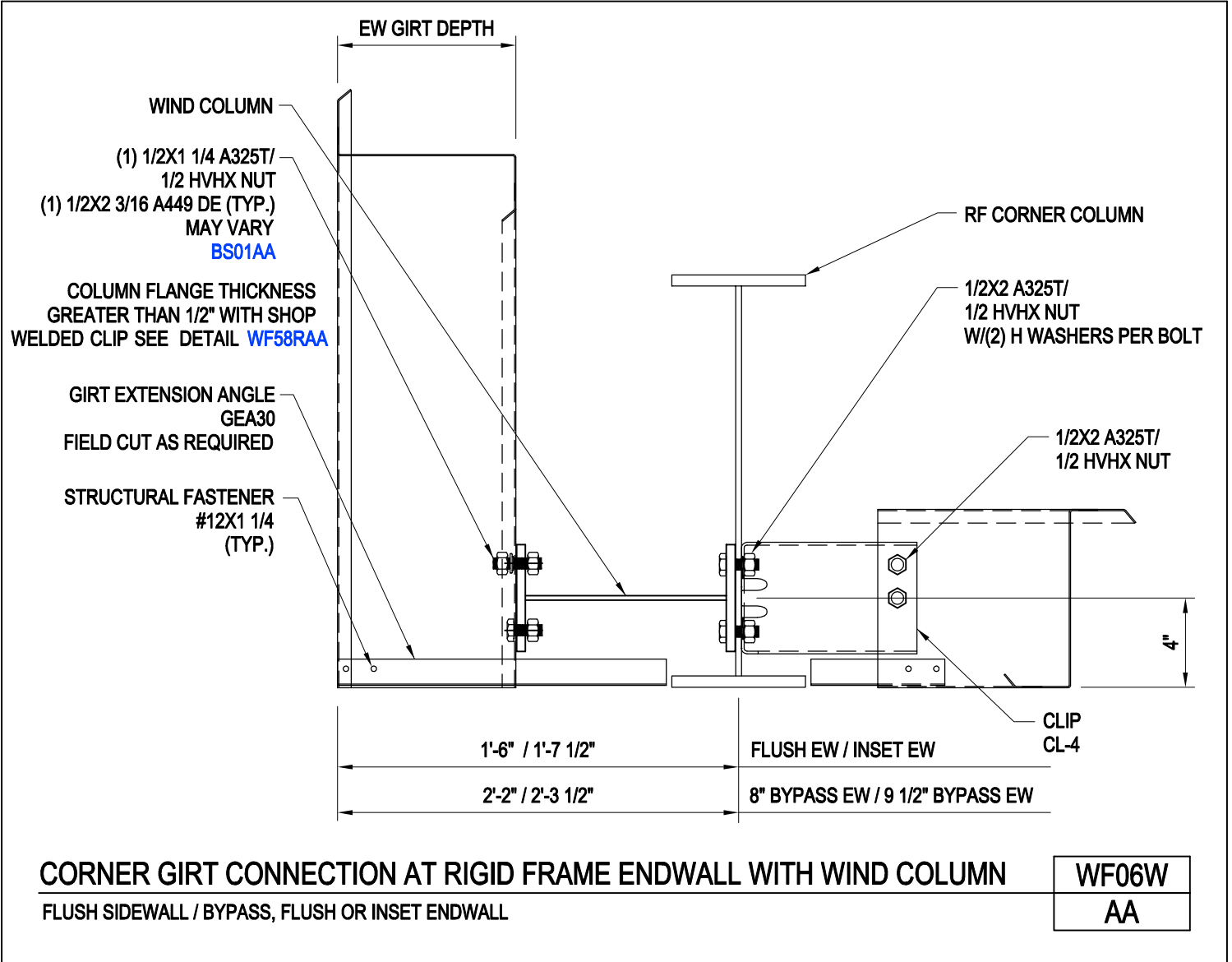
Corner Girt Connection at Rigid Frame Endwall
 Flush Sidewall / Bypass, Flush, or Inset Endwall
 WF06A/AT



[Download the DWG file by clicking here.](#)

[To Section Index](#)

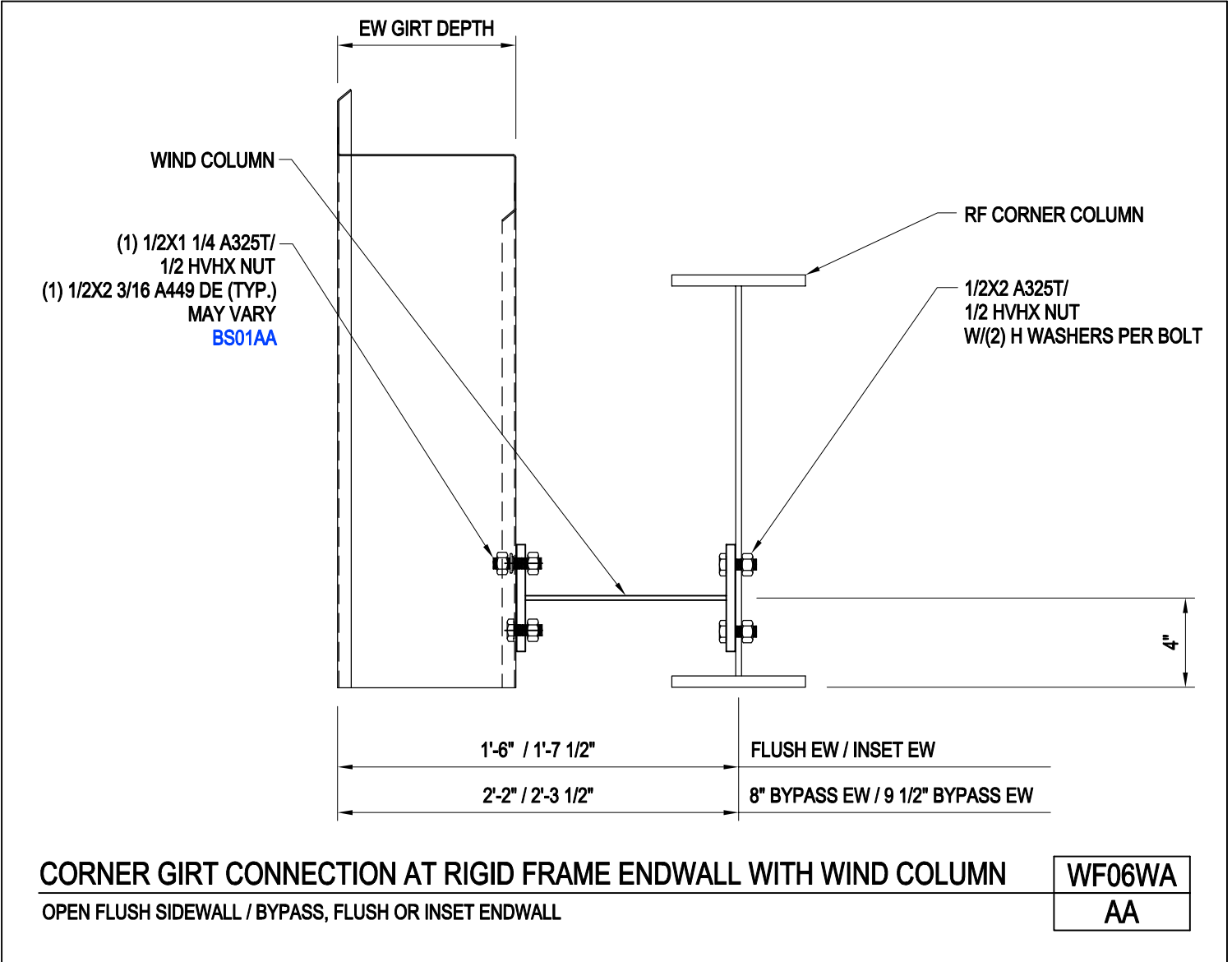
Corner Girt Connection at Rigid Frame Endwall with Wind Column
 Flush Sidewall / Bypass, Flush, or Inset Endwall
 WF06W/AA



[Download the DWG file by clicking here.](#)

[To Section Index](#)

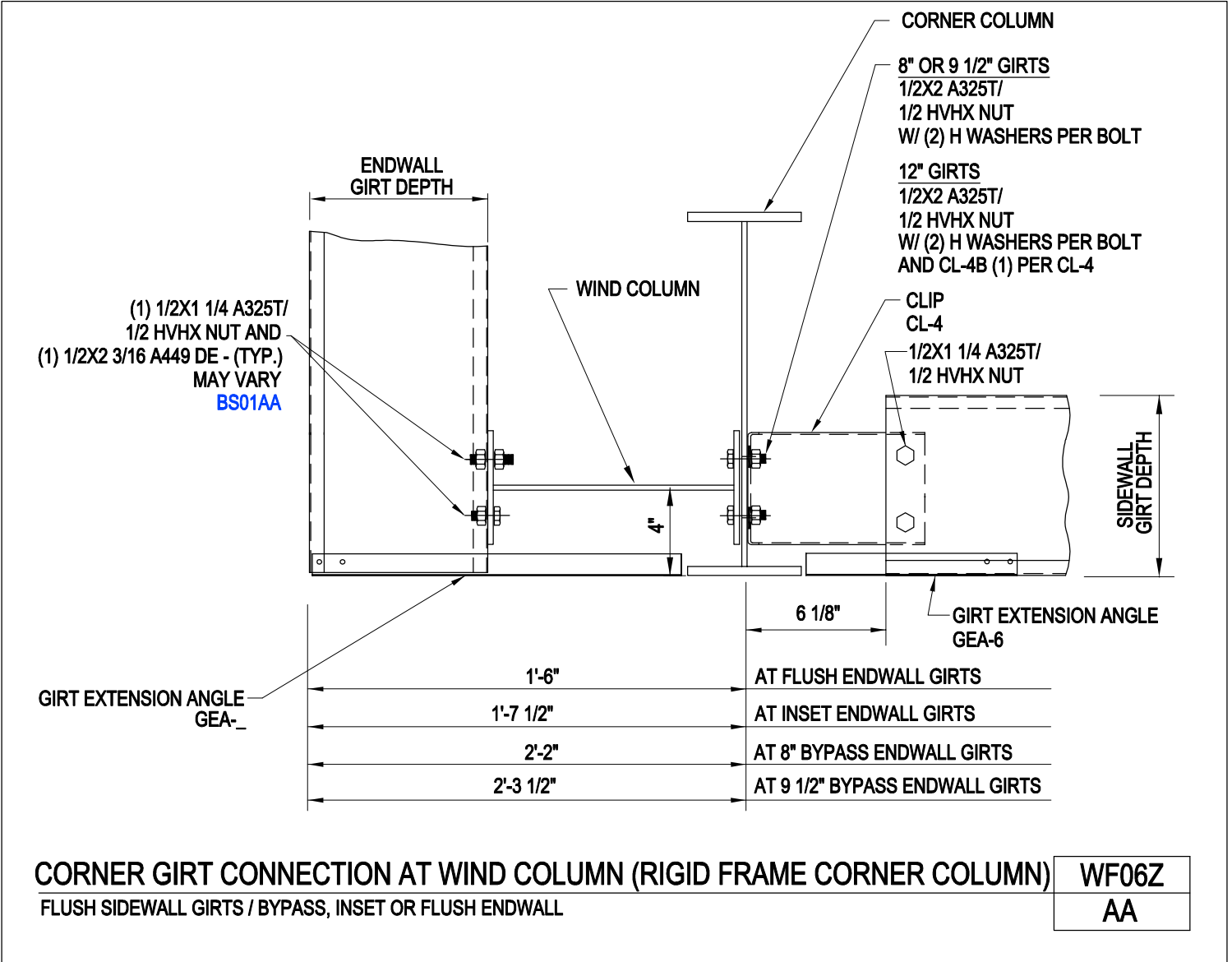
Corner Girt Connection at Rigid Frame Endwall with Wind Column
Open Flush Sidewall / Bypass, Flush, or Inset Endwall
WF06WA/AA



[Download the DWG file by clicking here.](#)

[To Section Index](#)

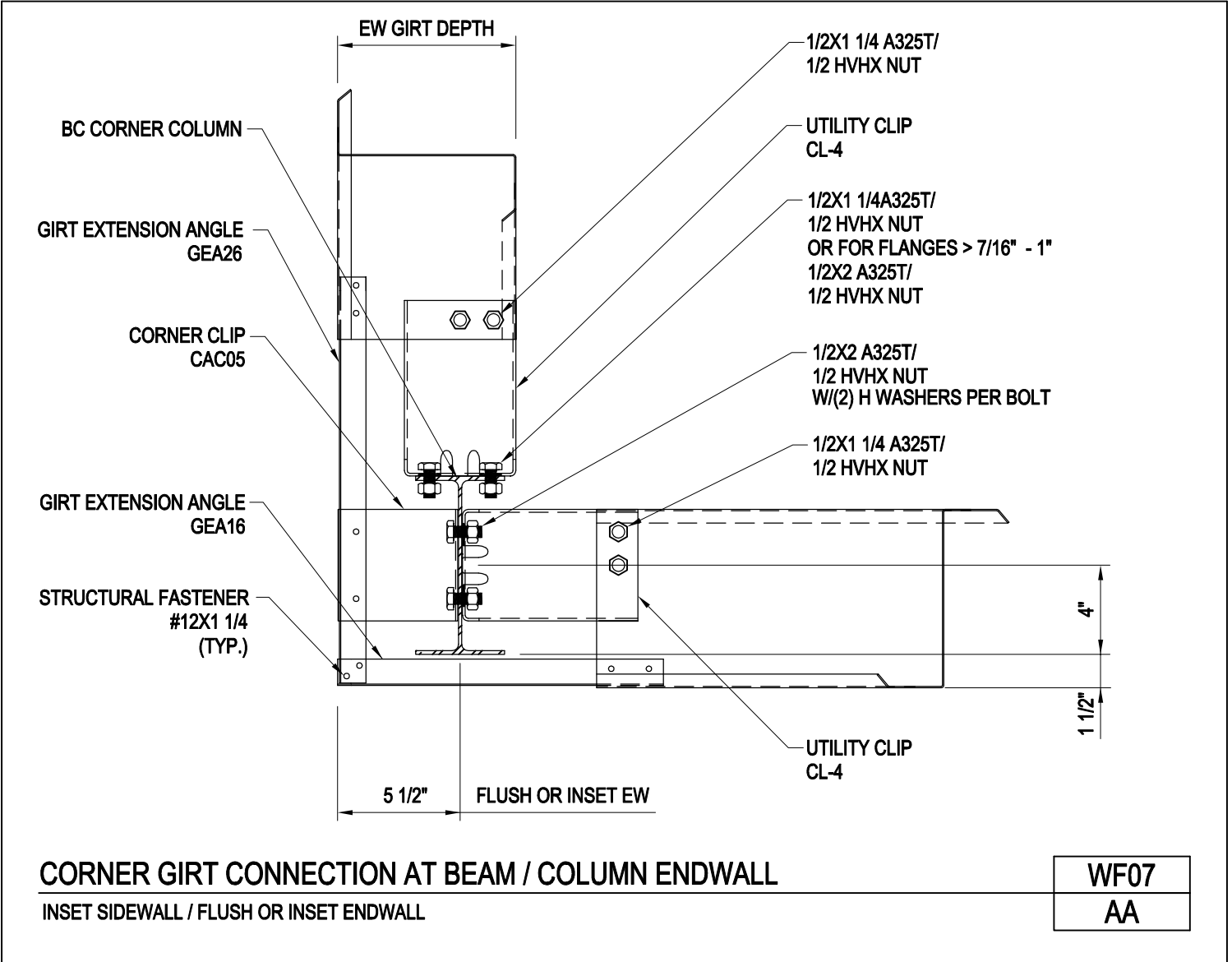
Corner Girt Connection at Wind Column (Rigid Frame Corner Column)
 Flush Sidewall Girts / Bypass, Inset, or Flush Endwall
 WF06Z/AA



[Download the DWG file by clicking here.](#)

[To Section Index](#)

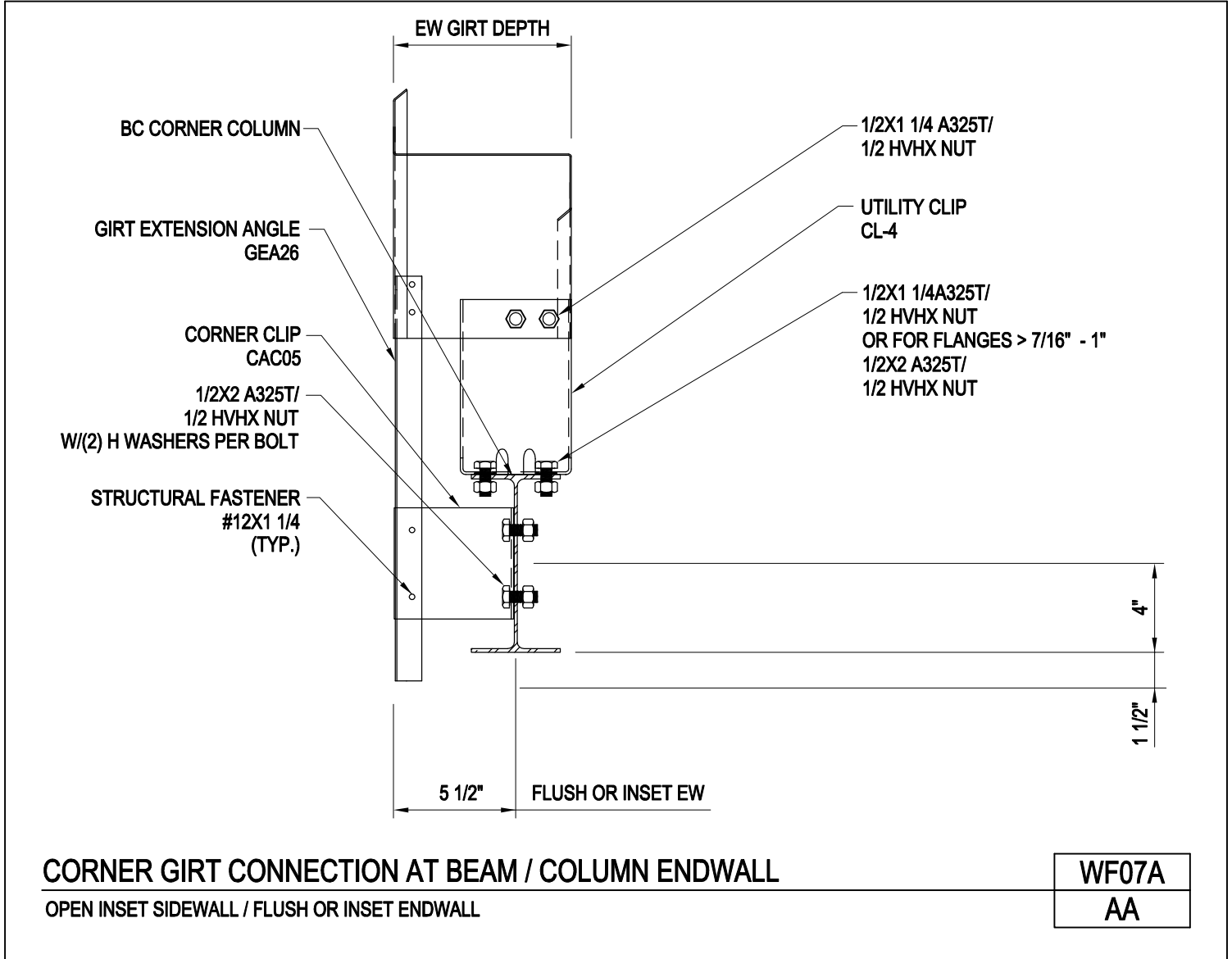
Corner Girt Connection at Beam / Column Endwall
Inset Sidewall / Flush or Inset Endwall
WF07/AA



[Download the DWG file by clicking here.](#)

[To Section Index](#)

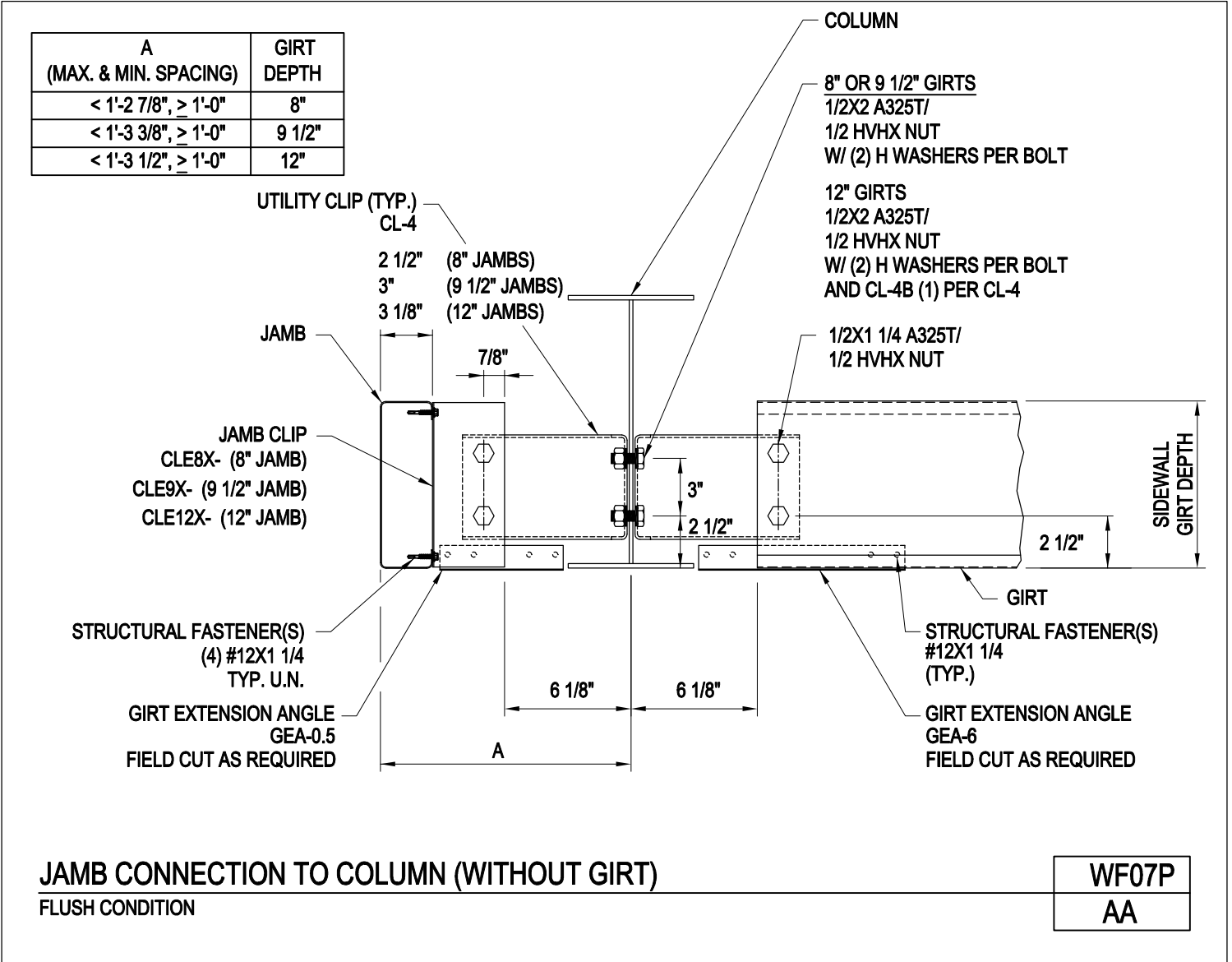
Corner Girt Connection at Beam/Column Endwall
Open Inset Sidewall/Flush or Inset Sidewall
WF07A/AA



[Download the DWG file by clicking here.](#)

[To Section Index](#)

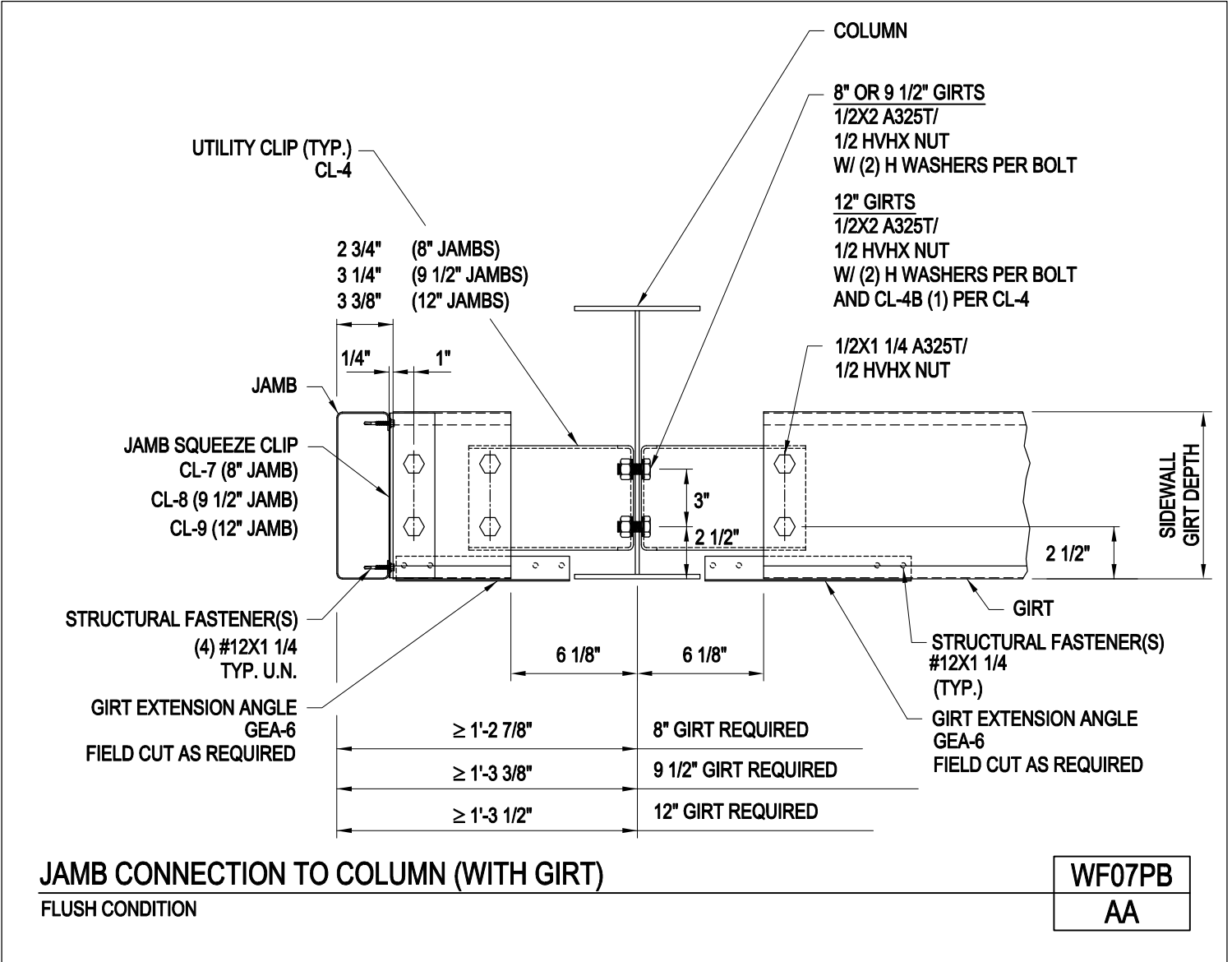
Jamb Connection to Column (Without Girt)
Flush Condition
WF07P/AA



[Download the DWG file by clicking here.](#)

[To Section Index](#)

Jamb Connection to Column (With Girt)
 Flush Condition
 WF07PB/AA



[Download the DWG file by clicking here.](#)

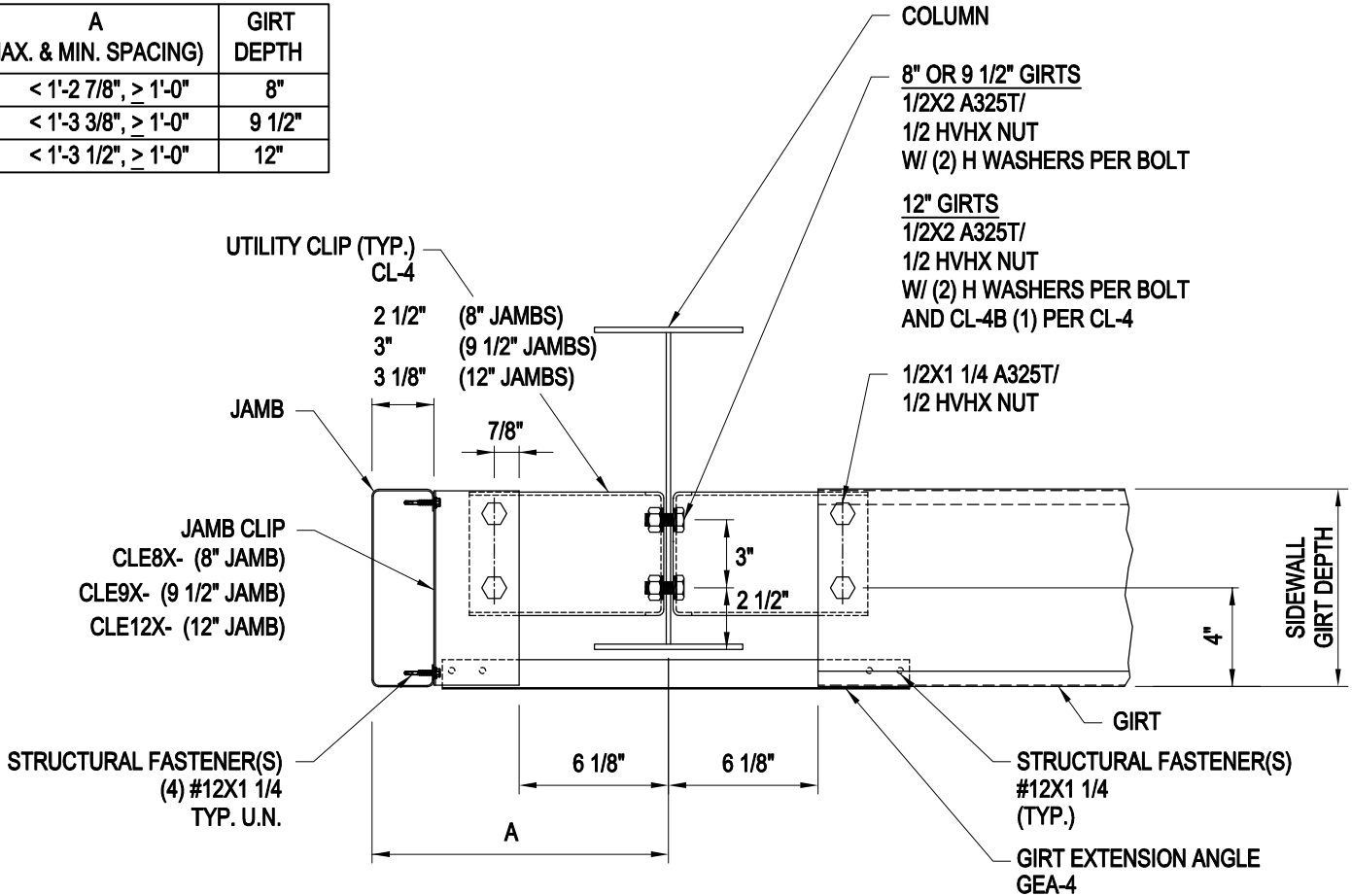
[To Section Index](#)

Jamb Connection to Column (Without Girt)

Inset Condition

WF07Q/AA

A (MAX. & MIN. SPACING)	GIRT DEPTH
< 1'-2 7/8", > 1'-0"	8"
< 1'-3 3/8", > 1'-0"	9 1/2"
< 1'-3 1/2", > 1'-0"	12"



JAMB CONNECTION TO COLUMN (WITHOUT GIRT)

INSET CONDITION

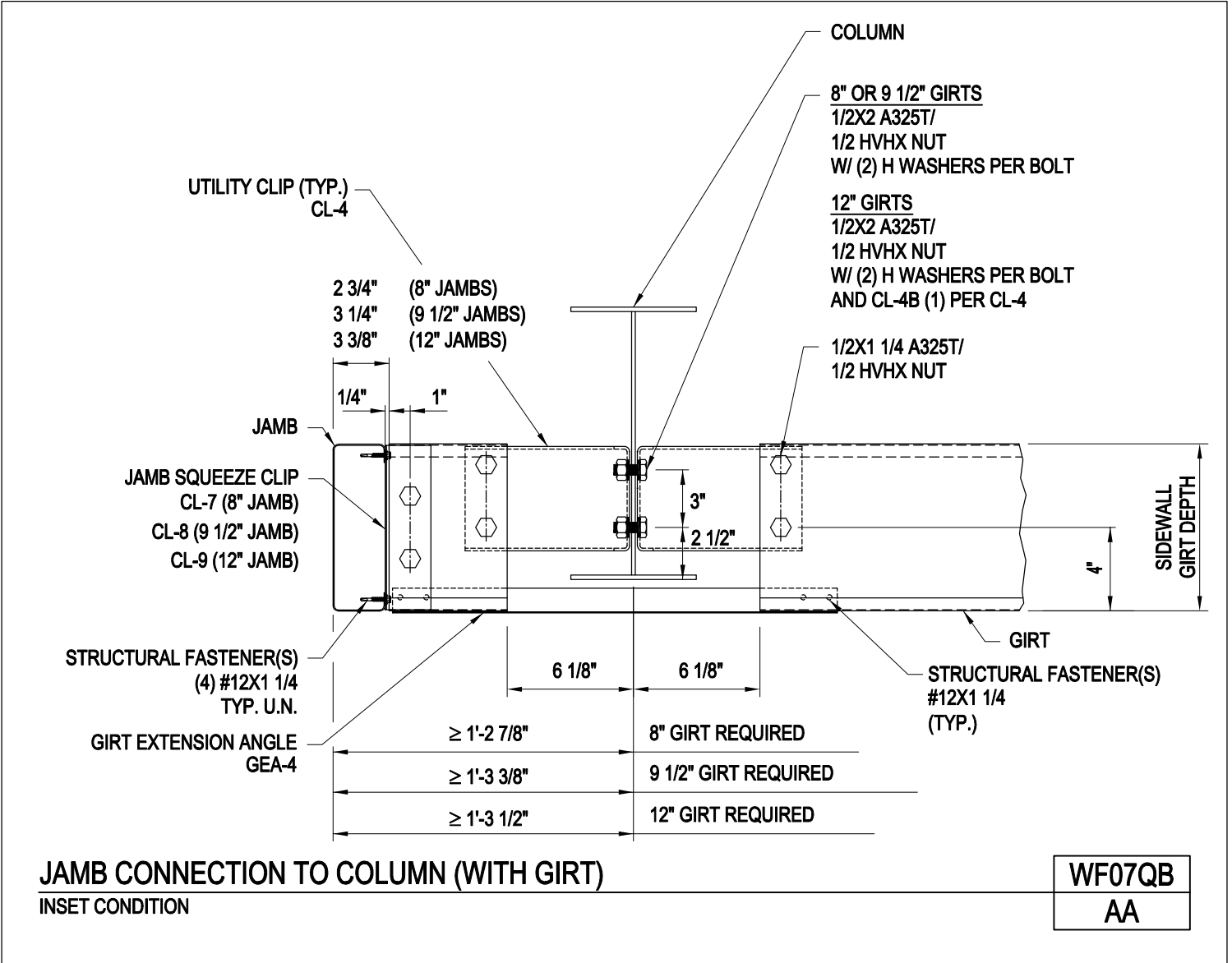
WF07Q

AA

[Download the DWG file by clicking here.](#)

[To Section Index](#)

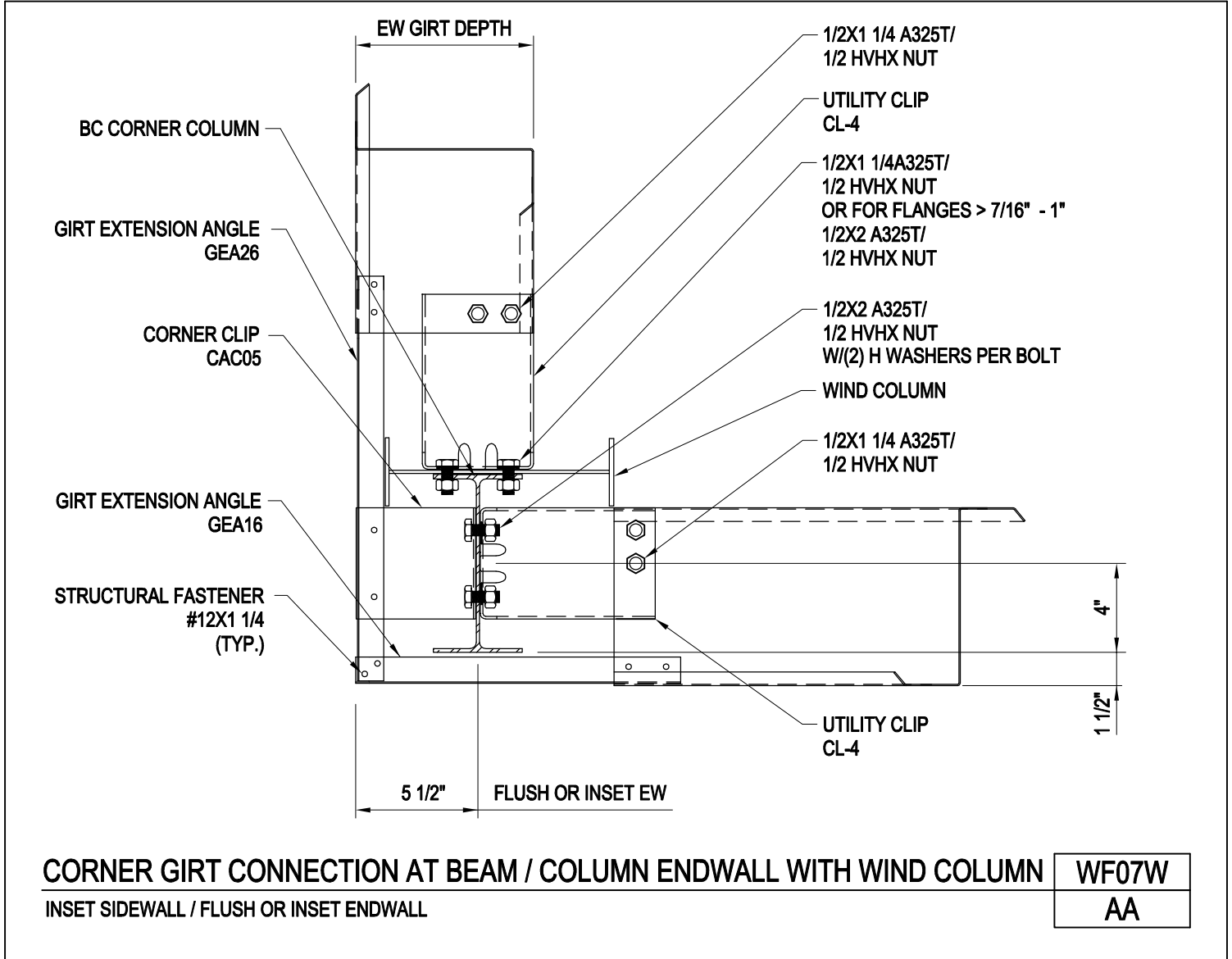
Jamb Connection to Column (With Girt)
Inset Condition
WF07QB/AA



[Download the DWG file by clicking here.](#)

[To Section Index](#)

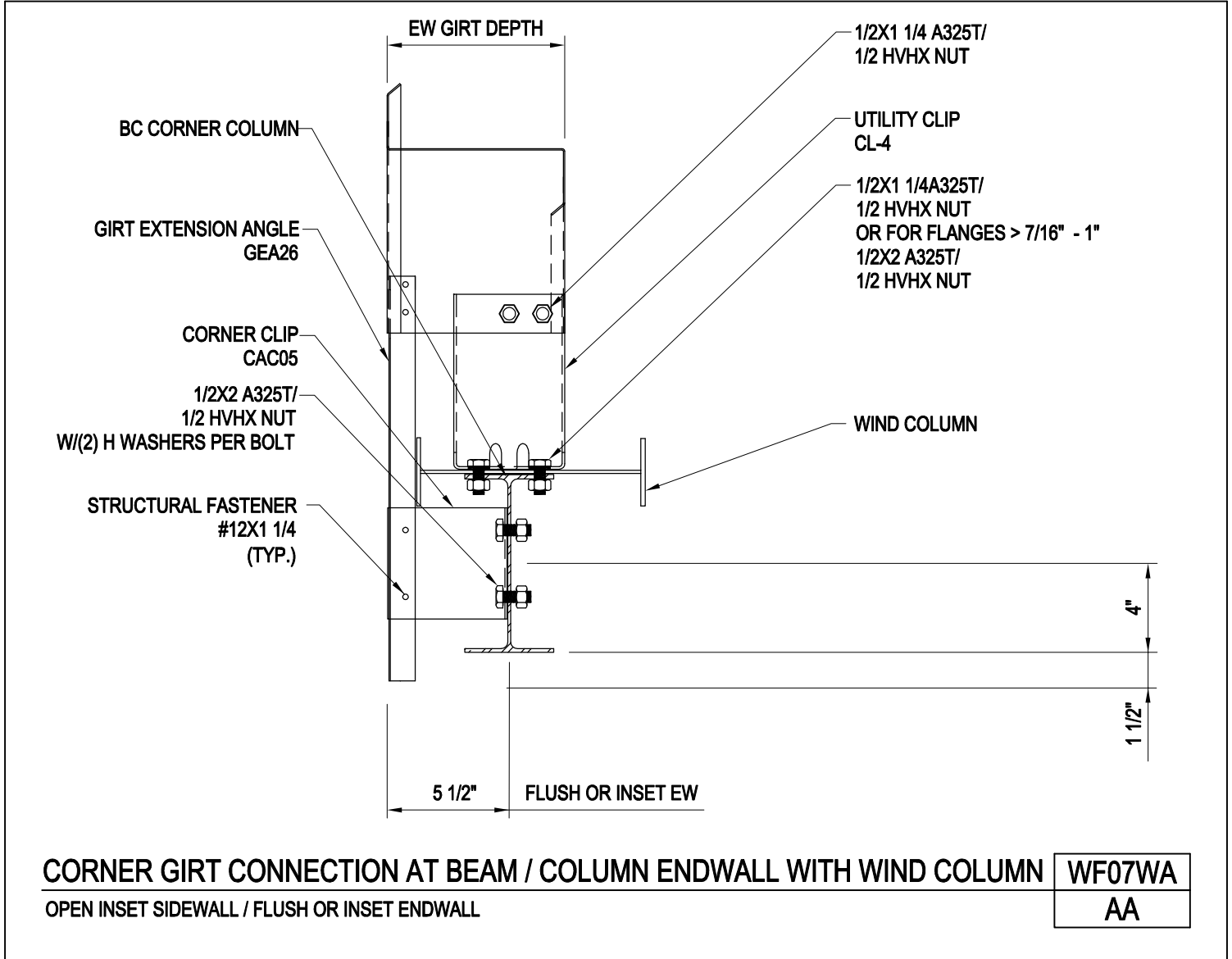
Corner Girt Connection at Beam/Column Endwall with Wind Column
Inset Sidewall / Flush or Inset Endwall
WF07W/AA



[Download the DWG file by clicking here.](#)

[To Section Index](#)

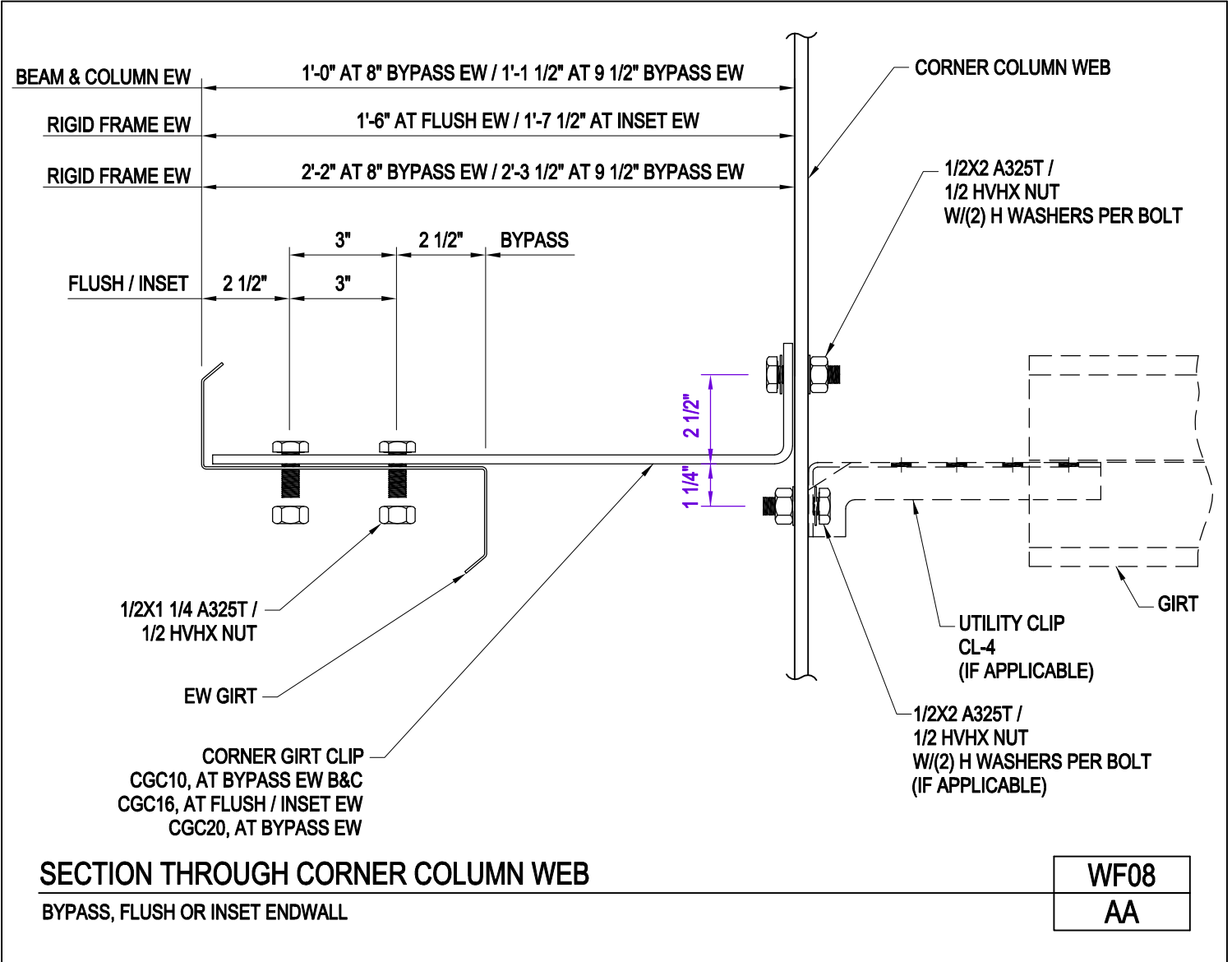
Corner Girt Connection at Beam/Column Endwall with Wind Column
Open Inset Sidewall / Flush or Inset Endwall
WF07WA/AA



[Download the DWG file by clicking here.](#)

[To Section Index](#)

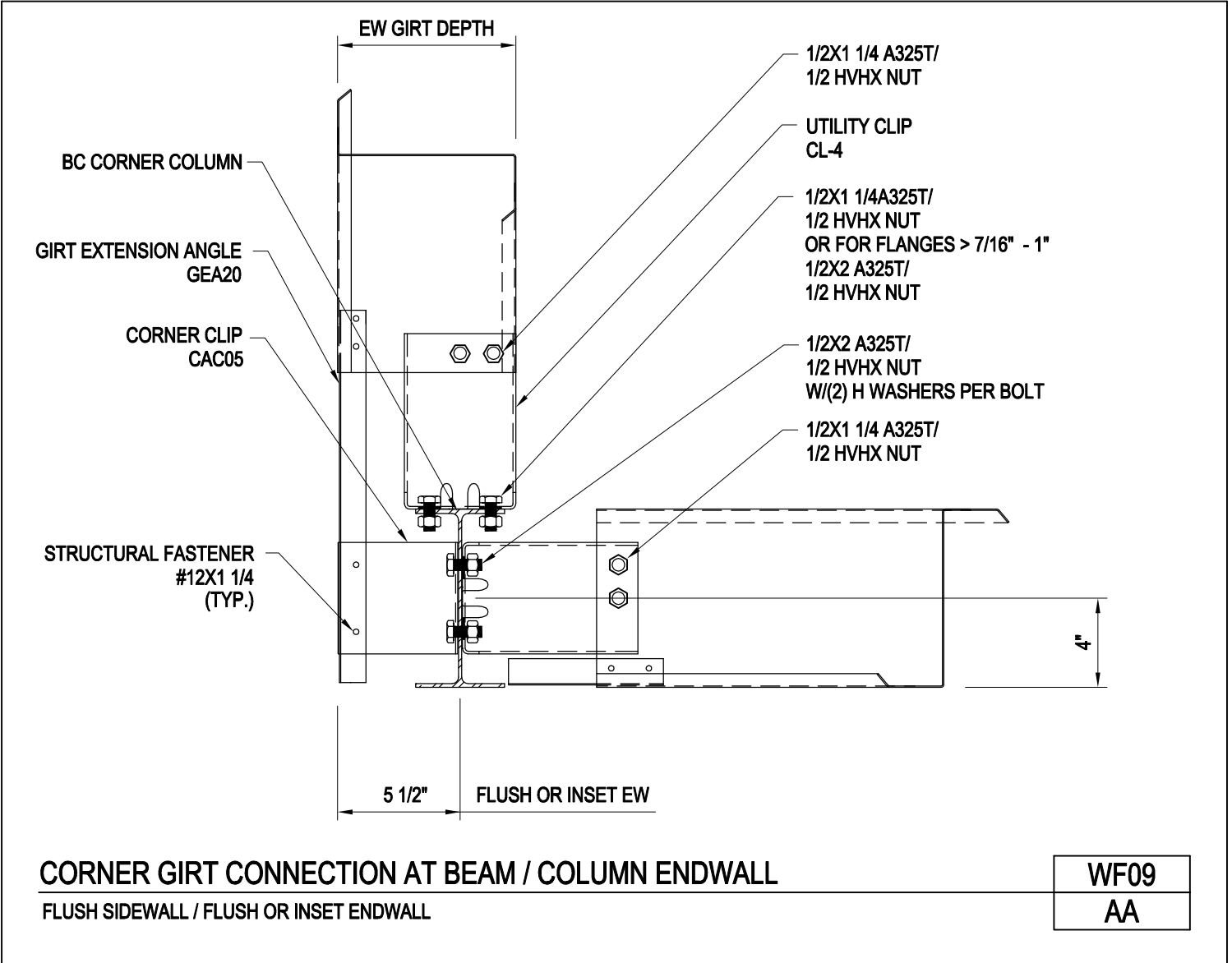
Section Through Corner Column Web
Bypass, Flush or Inset Endwall
WF08/AA



[Download the DWG file by clicking here.](#)

[To Section Index](#)

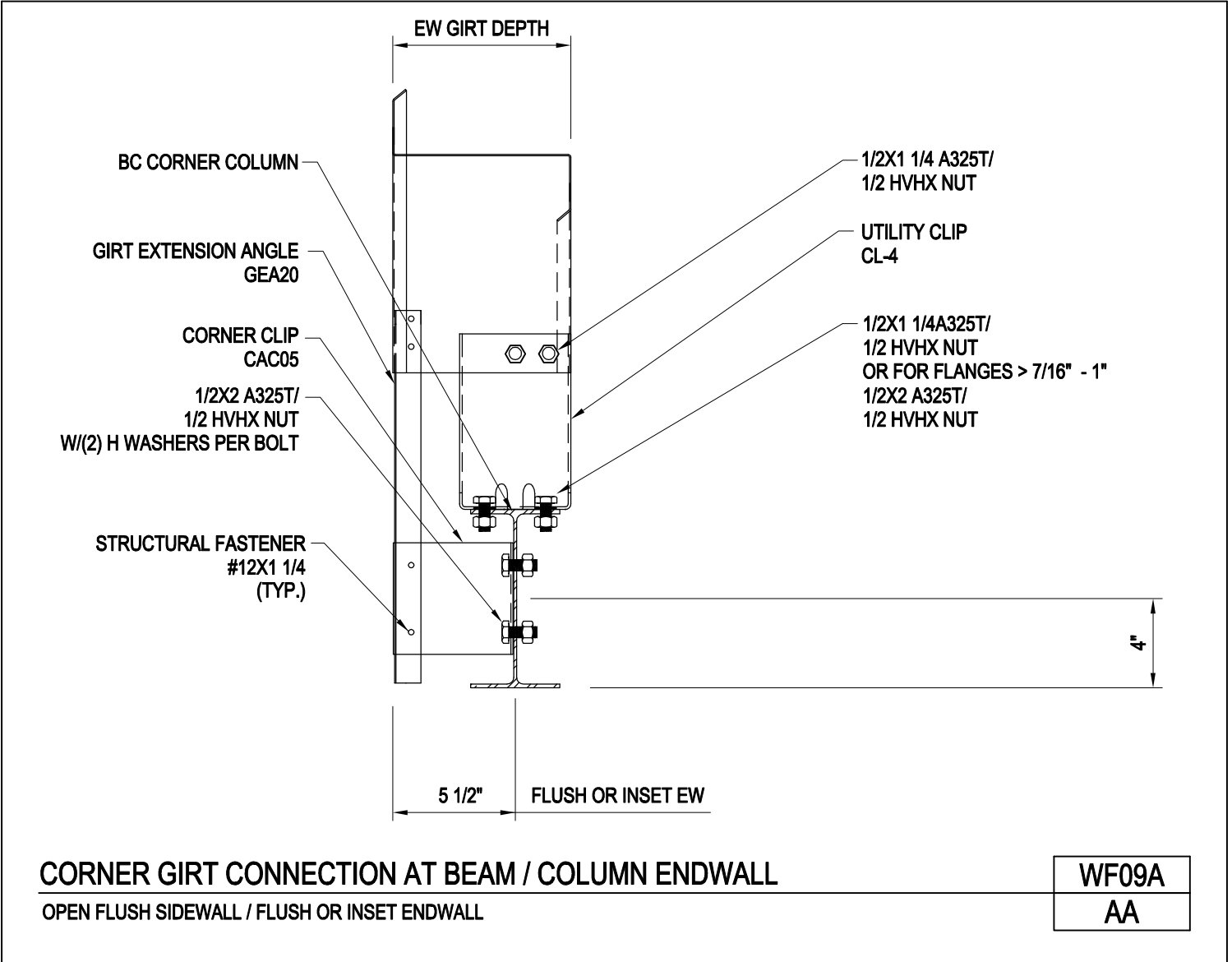
Corner Girt Connection at Beam/Column Endwall
 Flush Sidewall / Flush or Inset Girt
 WF09/AA



[Download the DWG file by clicking here.](#)

[To Section Index](#)

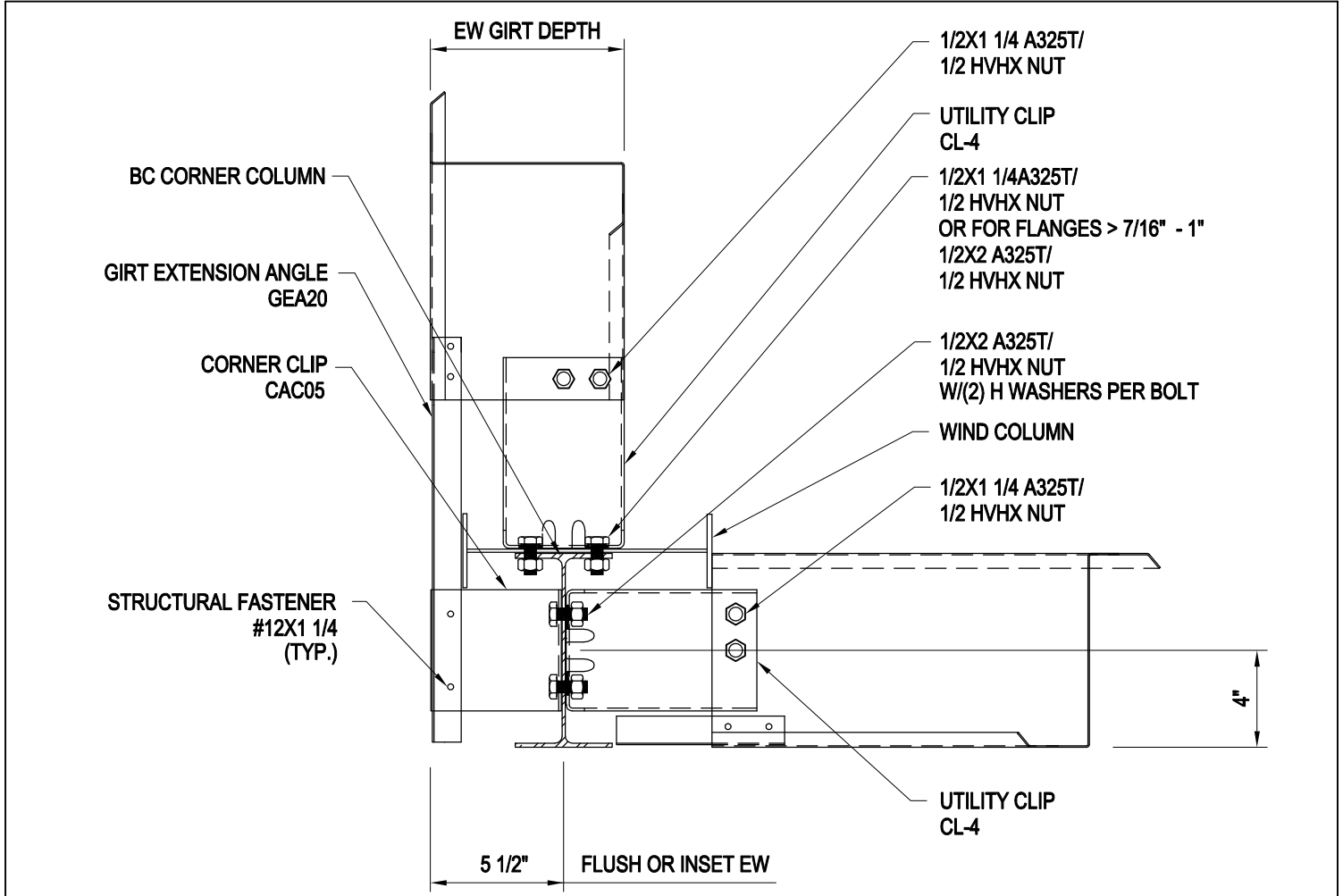
Corner Girt Connection at Beam/Column Endwall
Open Flush Sidewall / Flush or Inset Endwall
WF09A/AA



[Download the DWG file by clicking here.](#)

[To Section Index](#)

Corner Girt Connection at Beam/Column Endwall with Wind Column
 Flush Sidewall / Flush or Inset Endwall
 WF09W/AA



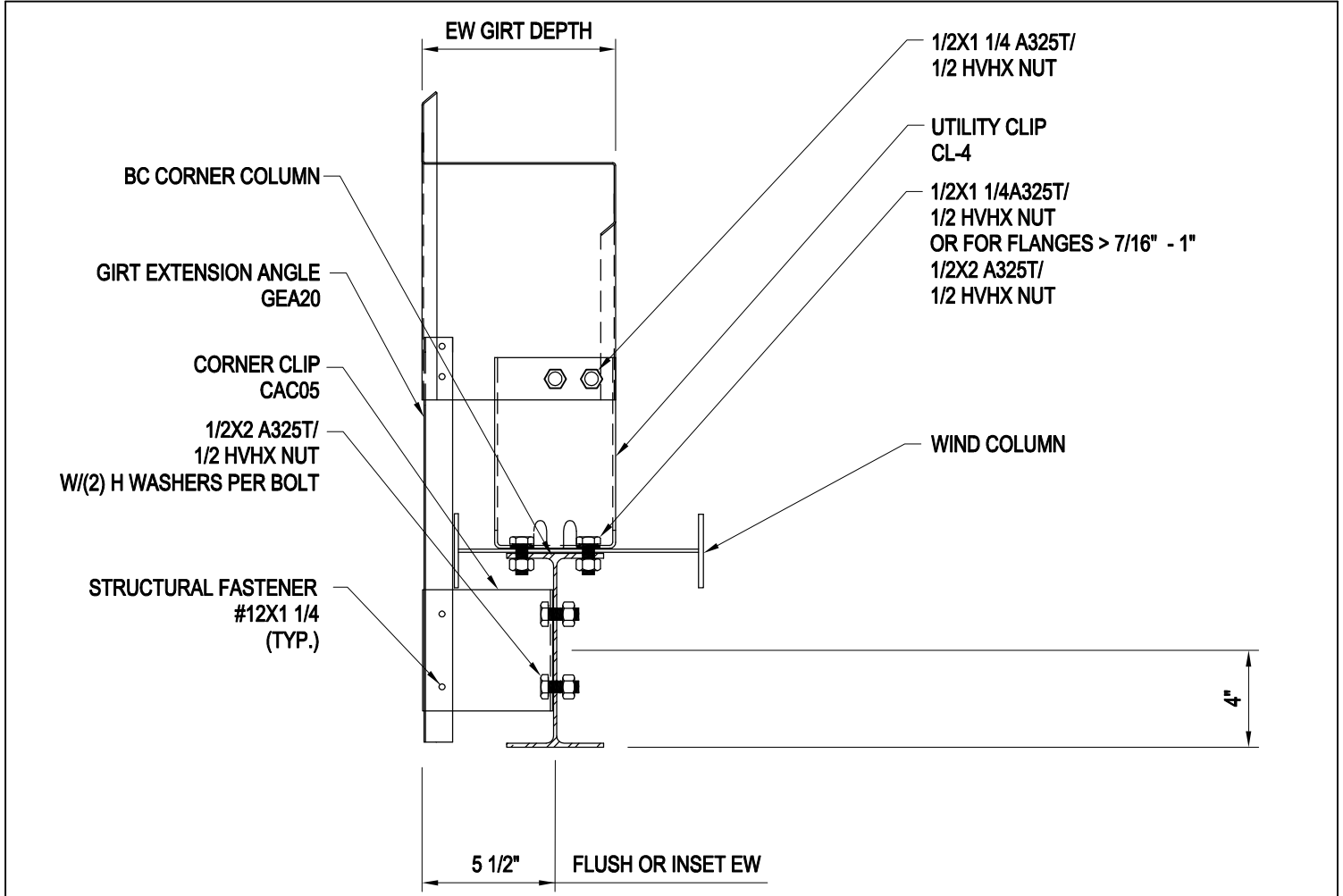
CORNER GIRT CONNECTION AT BEAM / COLUMN ENDWALL WITH WIND COLUMN
 FLUSH SIDEWALL / FLUSH OR INSET ENDWALL

WF09W
AA

[Download the DWG file by clicking here.](#)

[To Section Index](#)

Corner Girt Connection at Beam/Column Endwall with Wind Column
Open Flush Sidewall / Flush or Inset Endwall
WF09WA/AA

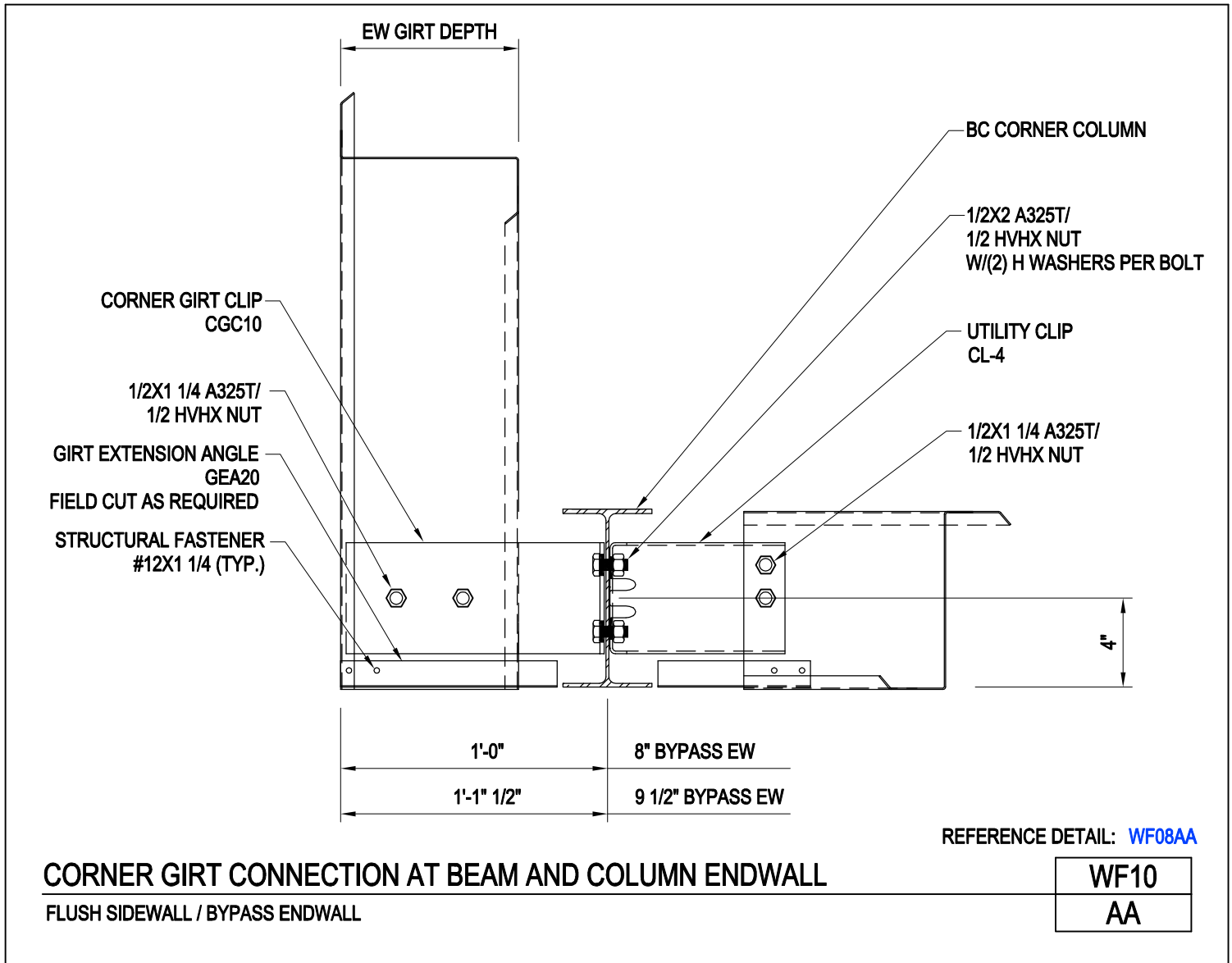


CORNER GIRT CONNECTION AT BEAM / COLUMN ENDWALL WITH WIND COLUMN WF09WA
OPEN FLUSH SIDEWALL / FLUSH OR INSET ENDWALL AA

[Download the DWG file by clicking here.](#)

[To Section Index](#)

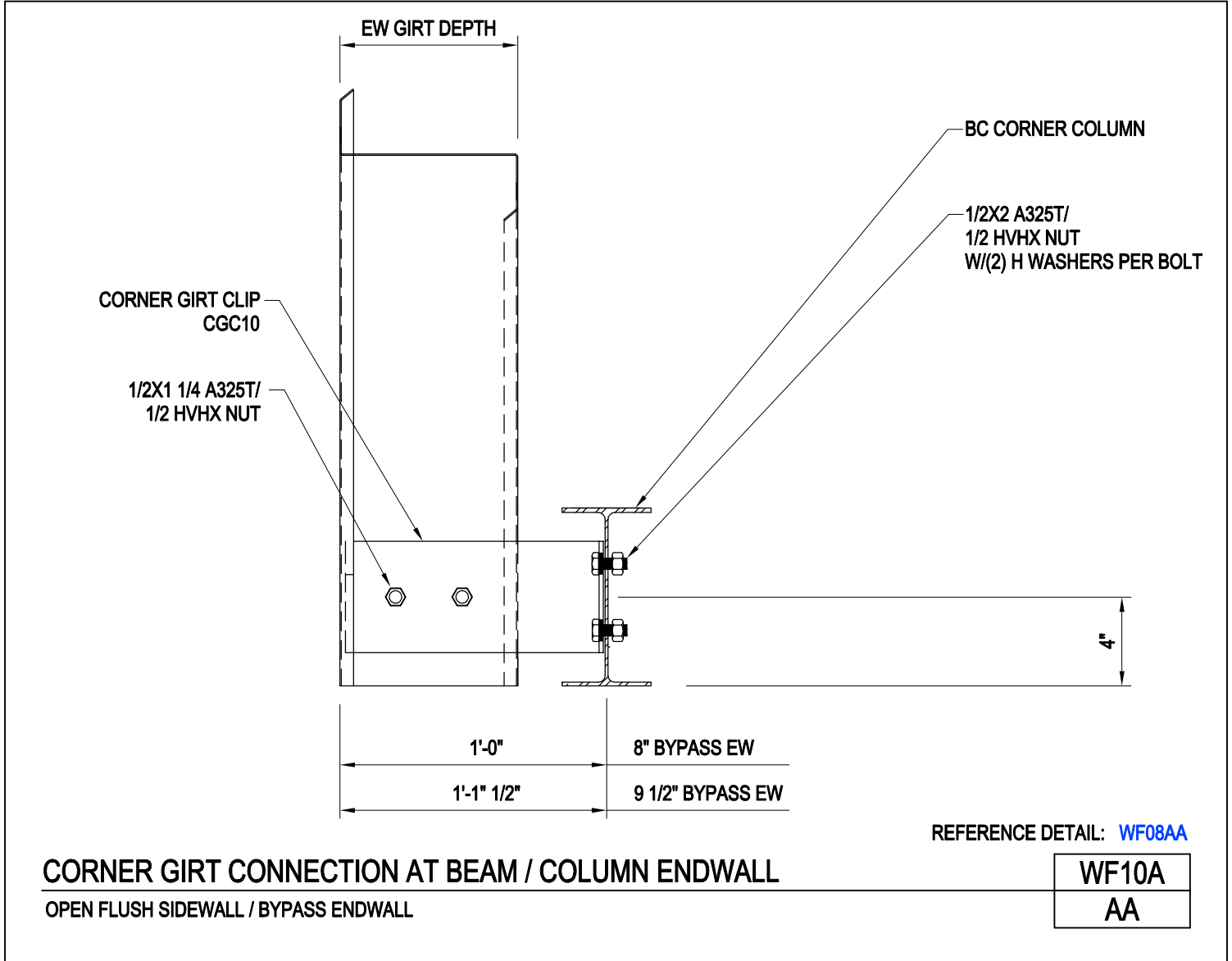
Corner Girt Connection at Beam and Column Endwall
Flush Sidewall / Bypass Endwall
WF10/AA



[Download the DWG file by clicking here.](#)

[To Section Index](#)

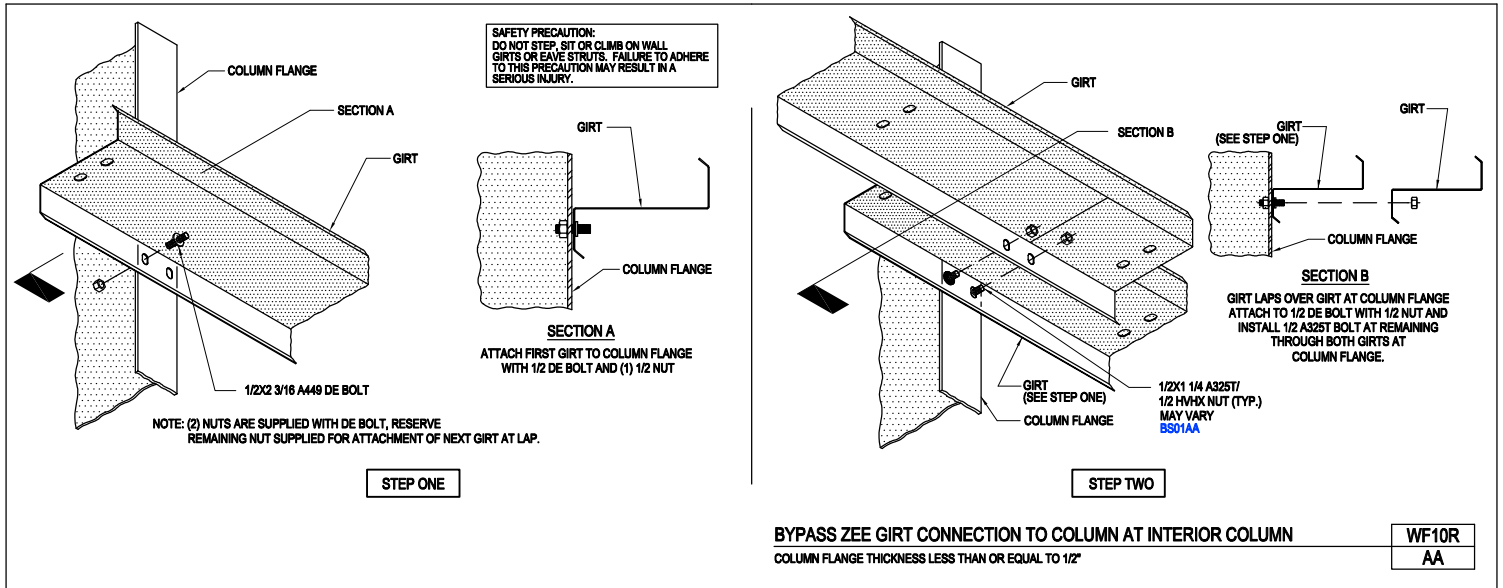
Corner Girt Connection At Beam / Column Endwall
Open Flush Sidewall / Bypass Endwall
WF10A/AA



[Download the DWG file by clicking here.](#)

[To Section Index](#)

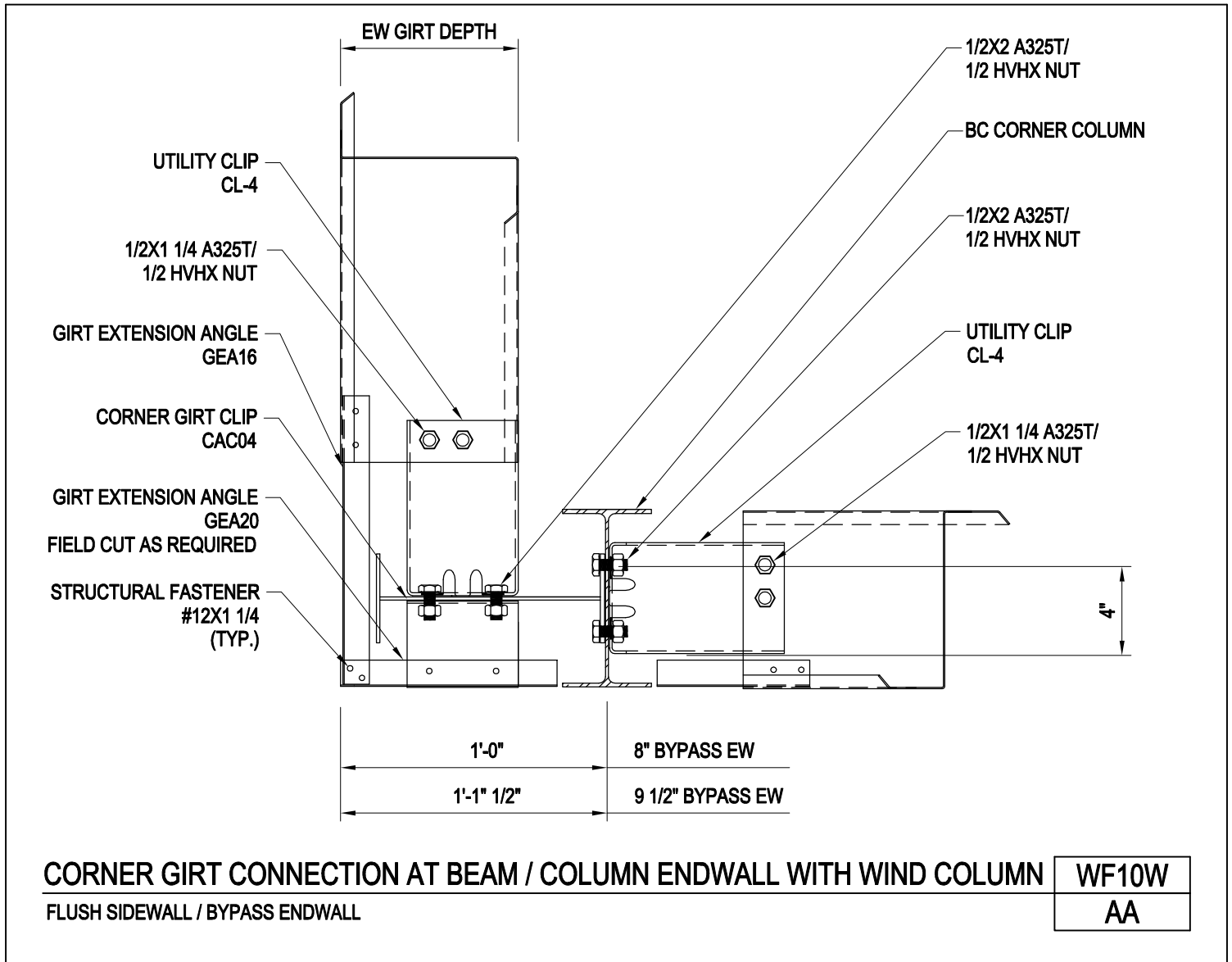
Bypass Zee Girt Connection to Column at Interior Column
Column Flange Thickness Less Than or Equal to 1/2"
WF10R/AA



[Download the DWG file by clicking here.](#)

[To Section Index](#)

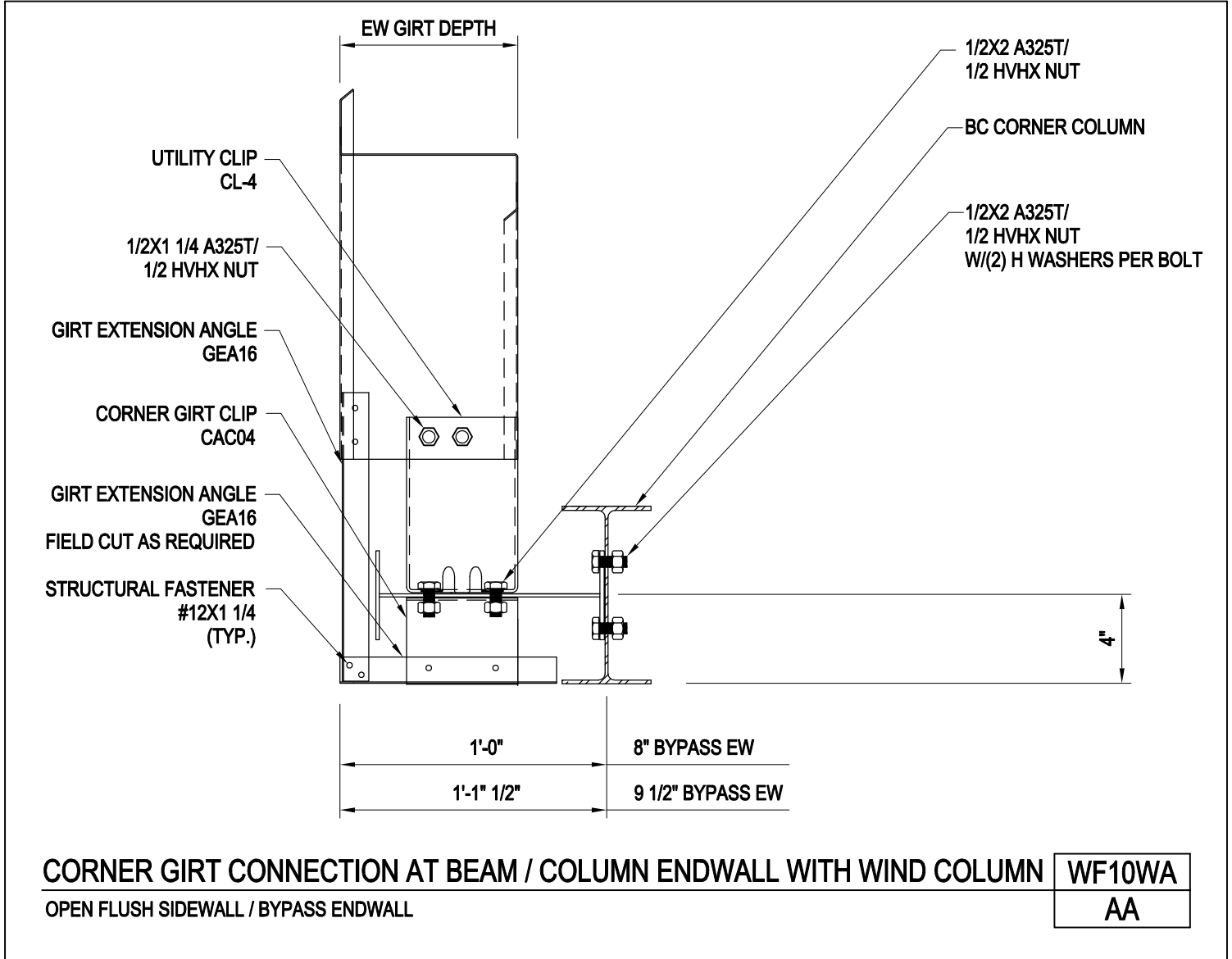
Corner Girt Connection at Beam/Column Endwall with Wind Column
 Flush Sidewall / Bypass Endwall
 WF10W/AA



[Download the DWG file by clicking here.](#)

[To Section Index](#)

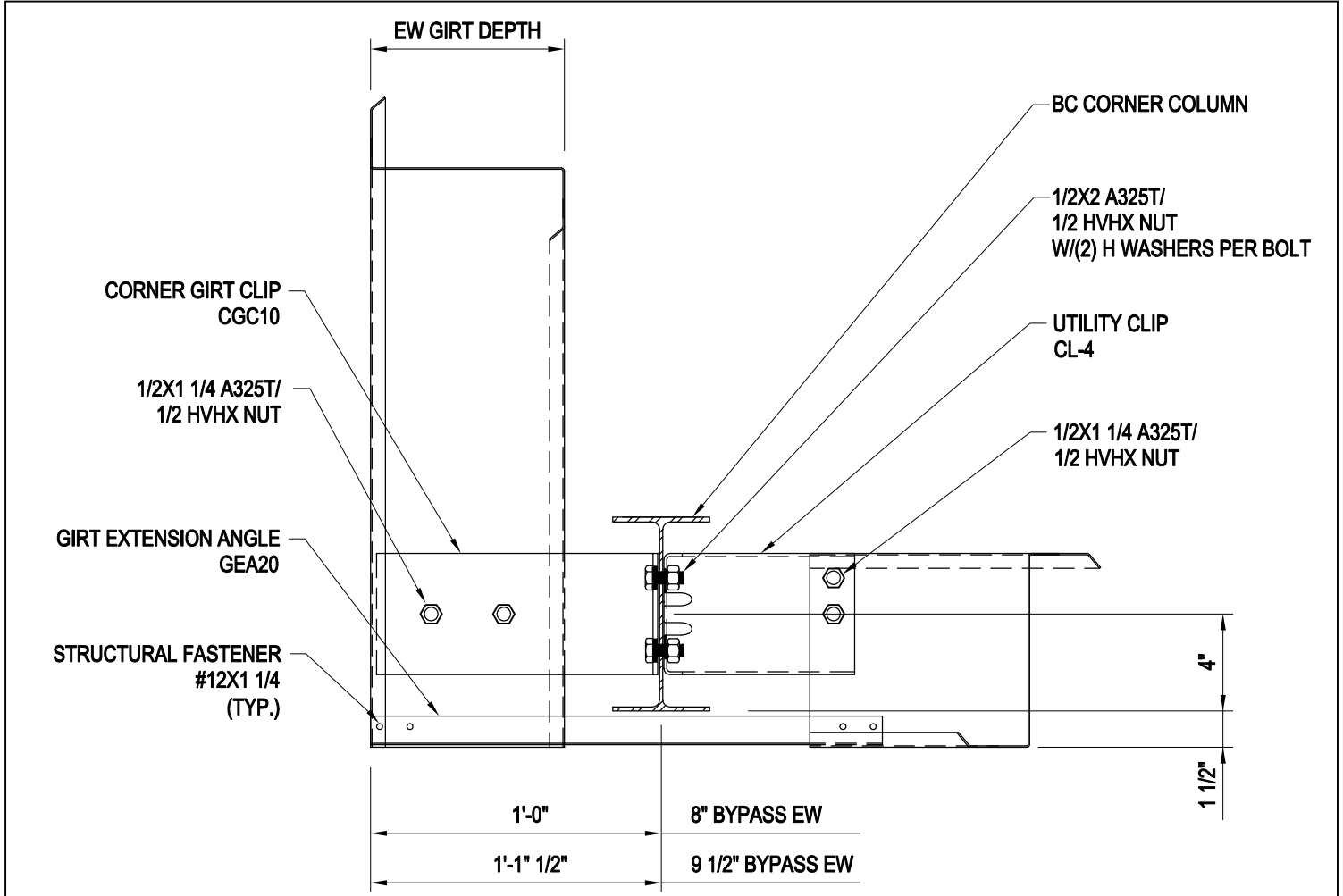
Corner Girt Connection at Beam/Column Endwall with Wind Column
Open Flush Sidewall / Bypass Endwall
WF10WA/AA



[Download the DWG file by clicking here.](#)

[To Section Index](#)

Corner Girt Connection at Beam and Column Endwall
Inset Sidewall / Bypass Endwall
WF11/AA



REFERENCE DETAIL: [WF08AA](#)

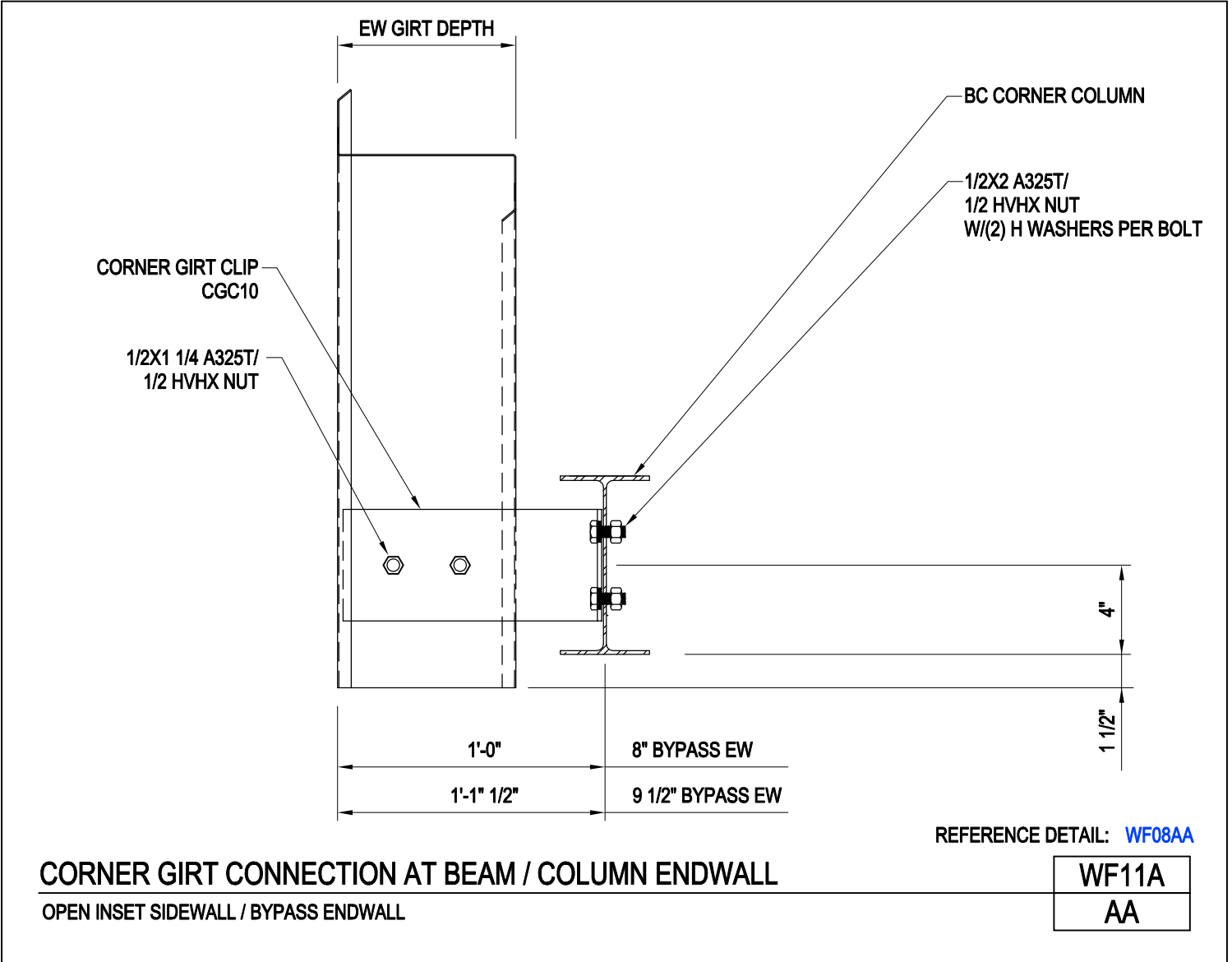
CORNER GIRT CONNECTION AT BEAM AND COLUMN ENDWALL
INSET SIDEWALL / BYPASS ENDWALL

WF11
AA

[Download the DWG file by clicking here.](#)

[To Section Index](#)

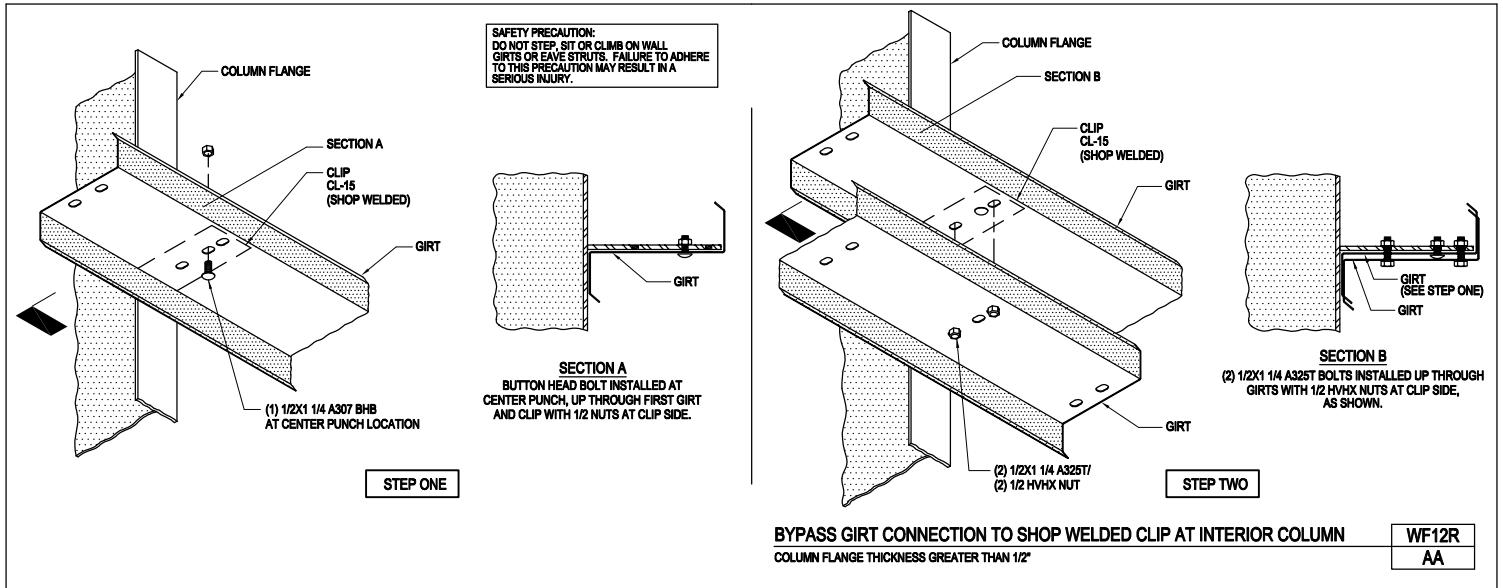
Corner Girt Connection at Beam / Column Endwall
Open Inset Sidewall / Bypass Endwall
WF11A/AA



[Download the DWG file by clicking here.](#)

[To Section Index](#)

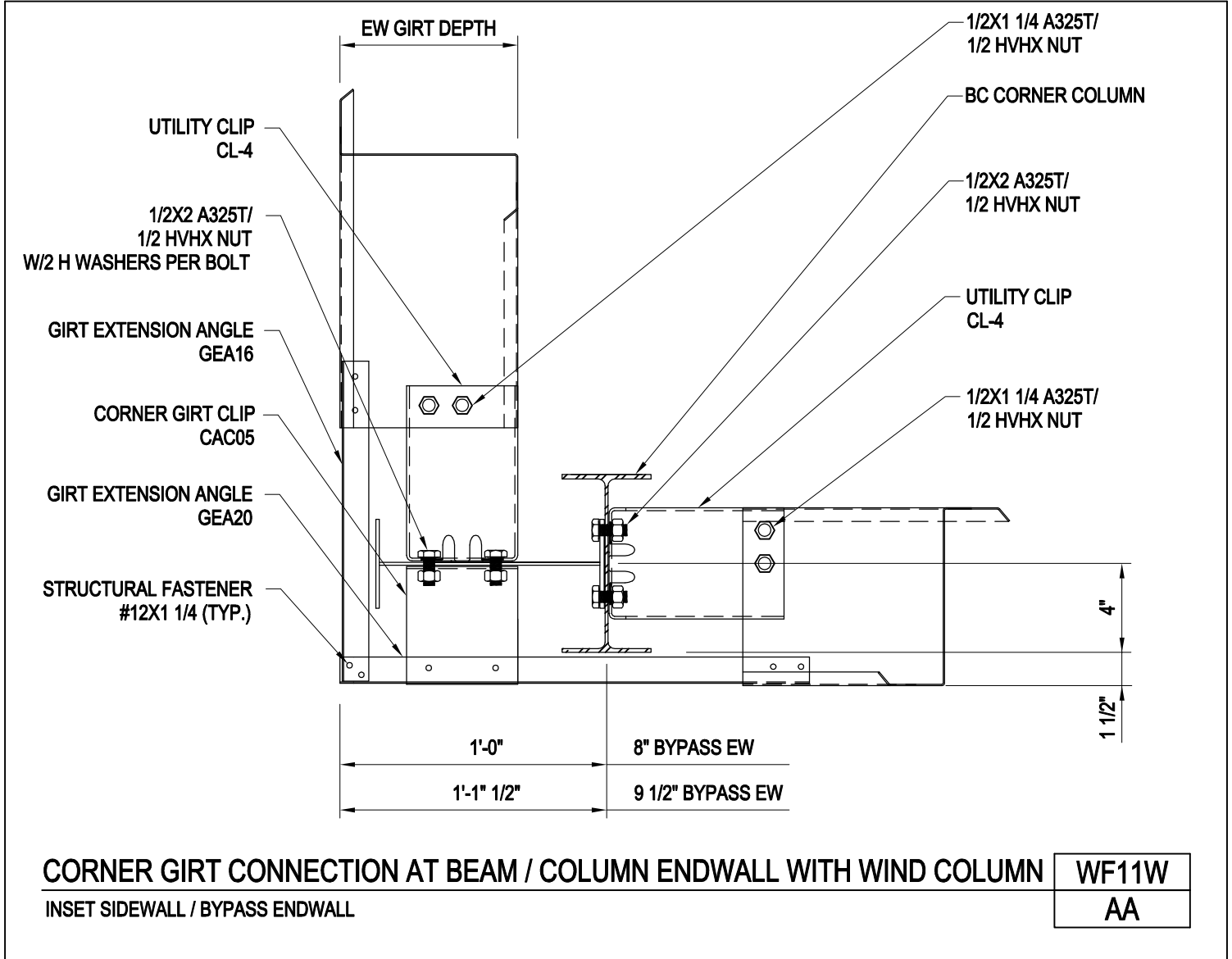
Bypass Girt Connection to Shop Welded Clip at Interior Column
 Column Flange Thickness Greater than 1/2"
 WF12R/AA



[Download the DWG file by clicking here.](#)

[To Section Index](#)

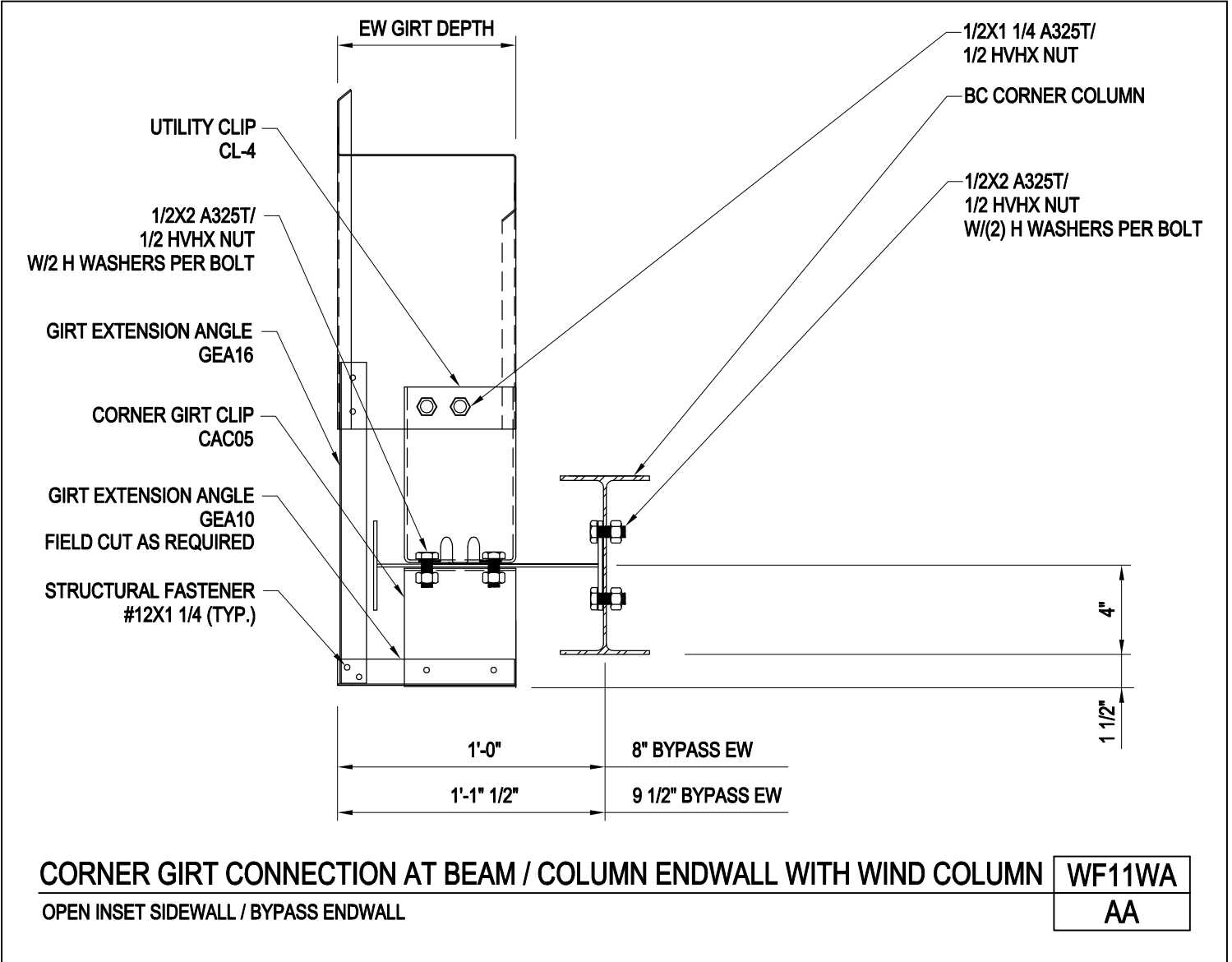
Corner Girt Connection at Beam / Column Endwall with Wind Column
Inset Sidewall / Bypass Endwall
WF11W/AA



[Download the DWG file by clicking here.](#)

[To Section Index](#)

Corner Girt Connection at Beam / Column Endwall with Wind Column
Open Inset Sidewall / Bypass Endwall
WF11WA/AA

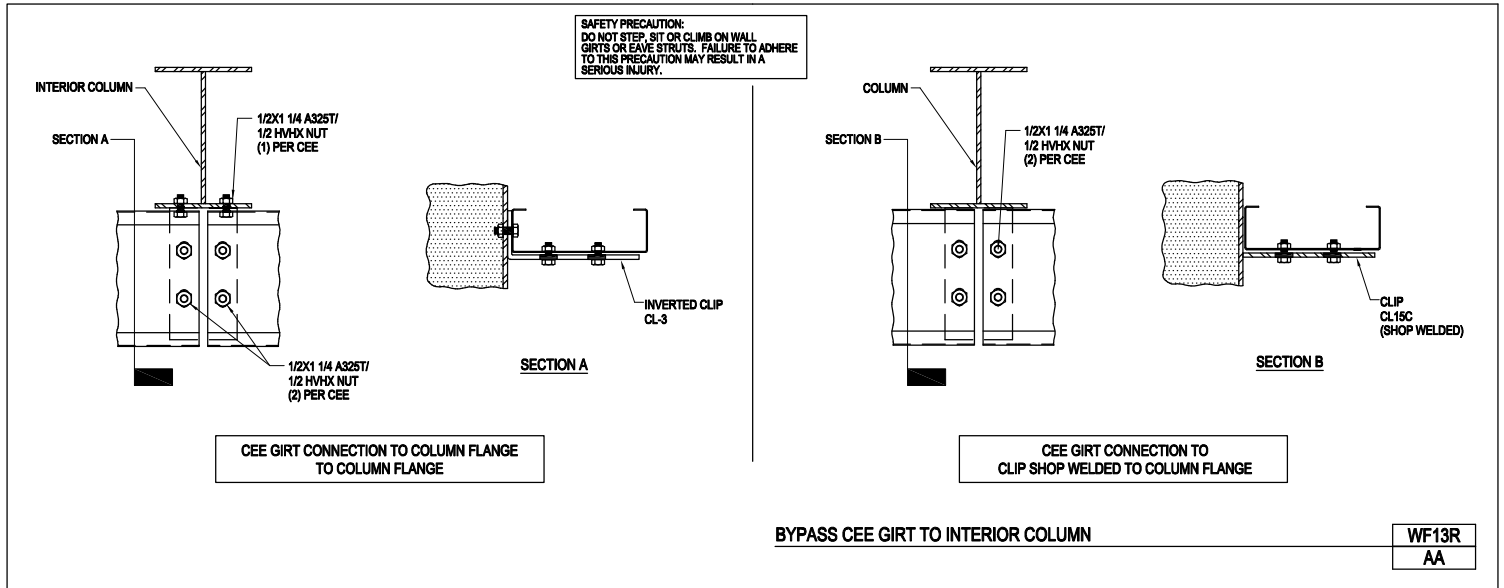


[Download the DWG file by clicking here.](#)

[To Section Index](#)

Bypass Cee Girt to Interior Column

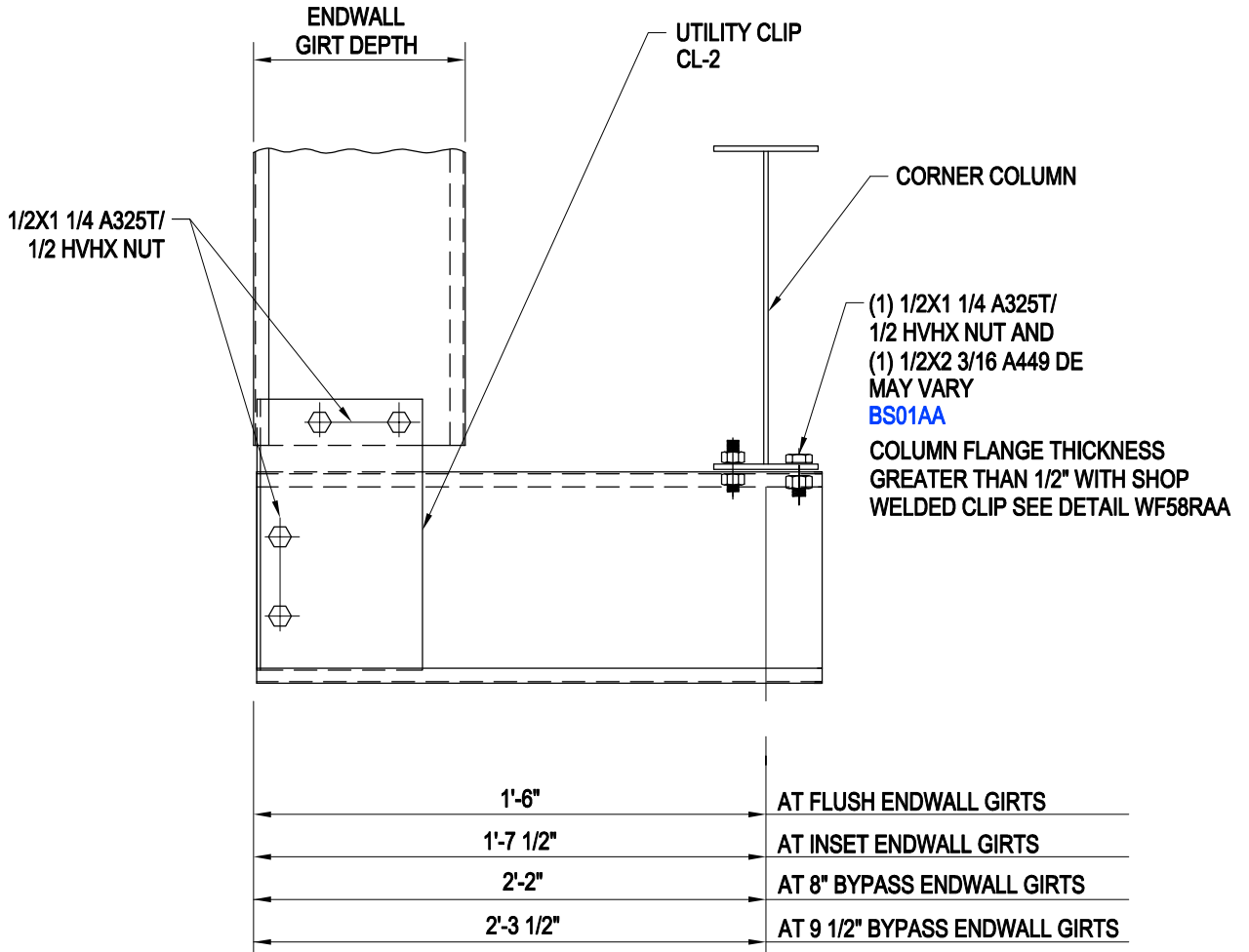
WF13R/AA



[Download the DWG file by clicking here.](#)

[To Section Index](#)

Corner Girt Connection (Rigid Frame Corner Column)
 Open Bypass Sidewall / Bypass, Inset, or Flush Endwall
 WF24/AA



CORNER GIRTS CONNECTION (RIGID FRAME CORNER COLUMN)

OPEN BYPASS SIDEWALL / BYPASS, INSET OR FLUSH ENDWALL

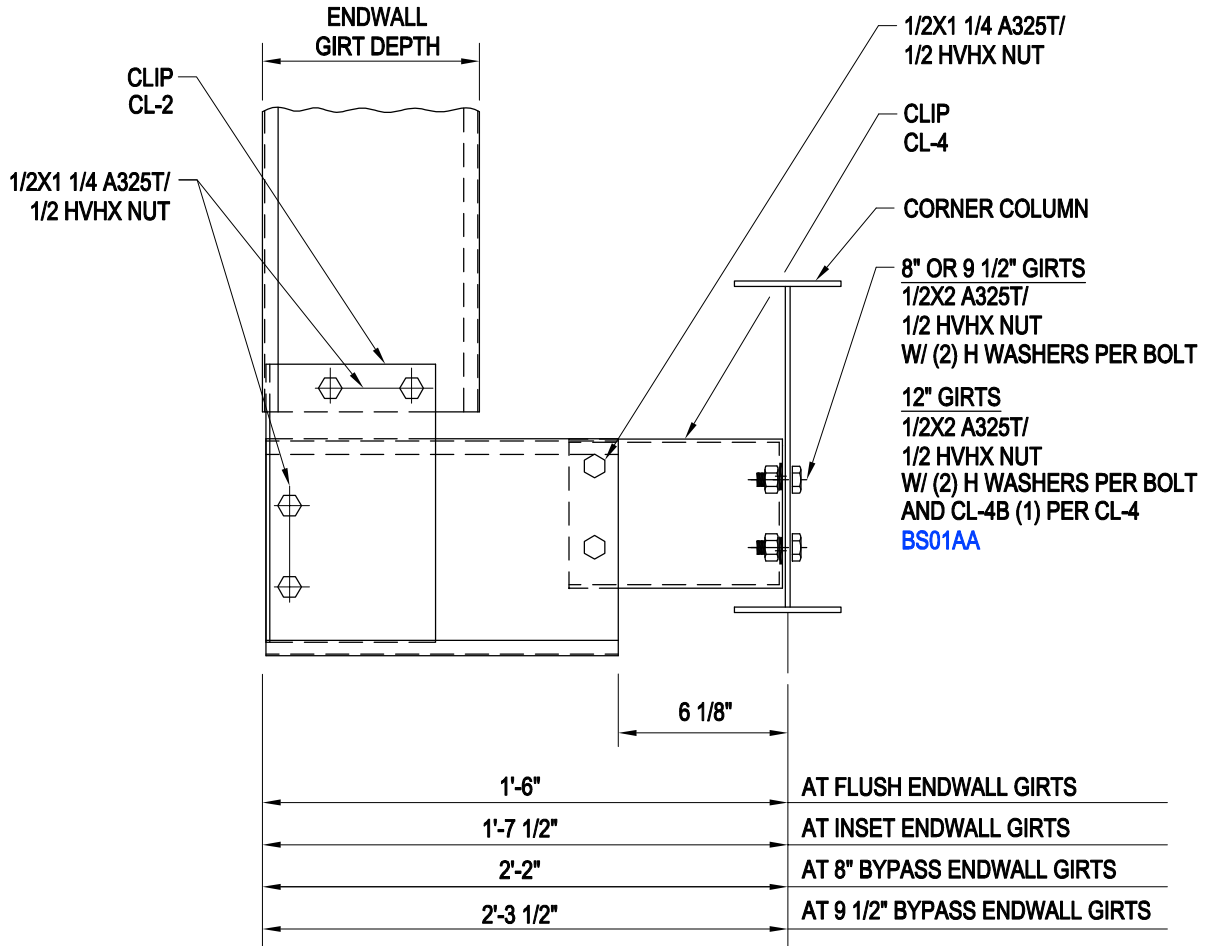
WF24

AA

[Download the DWG file by clicking here.](#)

[To Section Index](#)

Corner Girt Connection (Rigid Frame Corner Column)
 Open Inset Sidewall / Bypass, Inset, or Flush Endwall
 WF25/AA



CORNER GIRT CONNECTION (RIGID FRAME CORNER COLUMN)

OPEN INSET SIDEWALL / BYPASS, INSET OR FLUSH ENDWALL

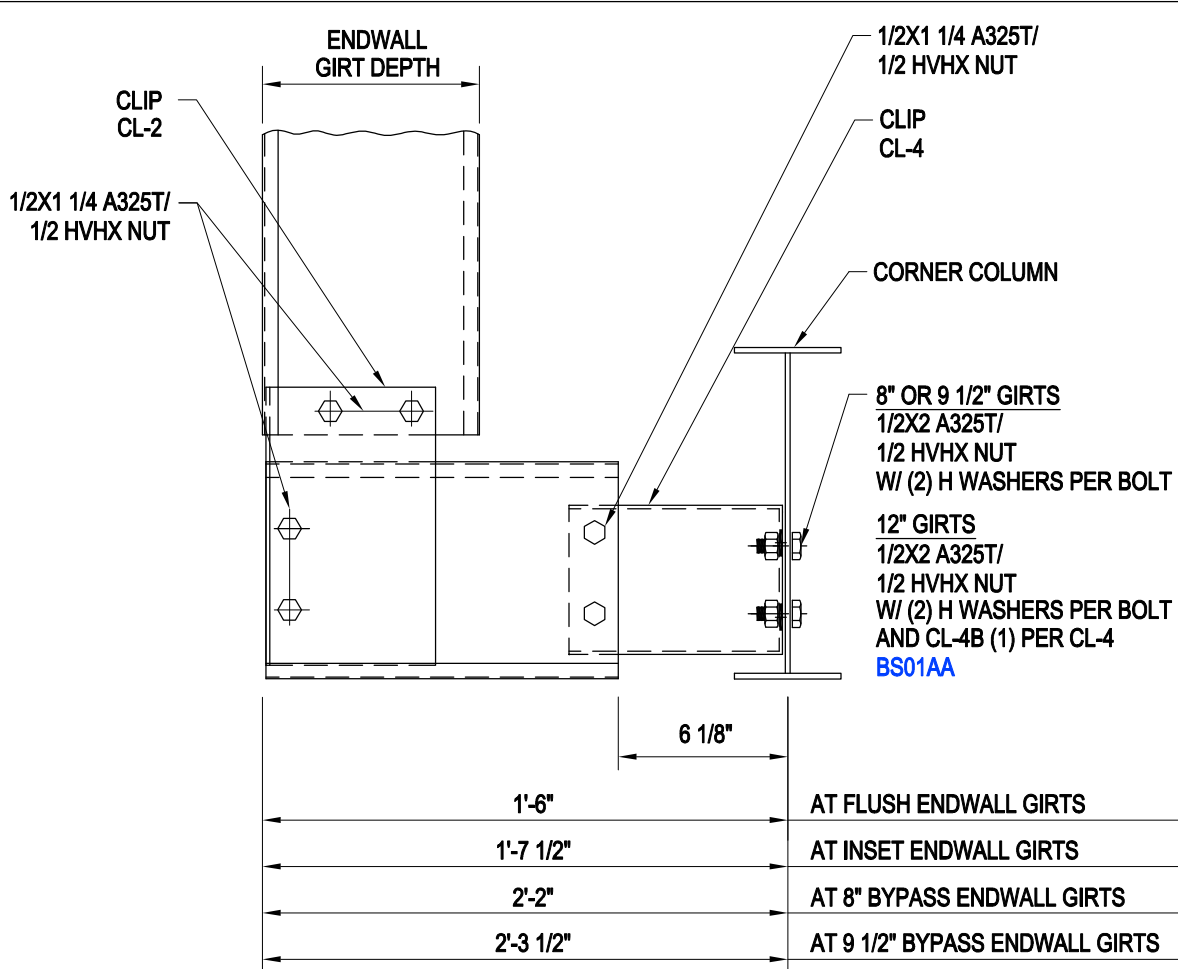
WF25

AA

[Download the DWG file by clicking here.](#)

[To Section Index](#)

Corner Girt Connection (Rigid Frame Corner Column)
Open Flush Sidewall / Bypass, Inset, or Flush Endwall
WF26/AA



CORNER GIRT CONNECTION (RIGID FRAME CORNER COLUMN)

OPEN FLUSH SIDEWALL / BYPASS, INSET OR FLUSH ENDWALL

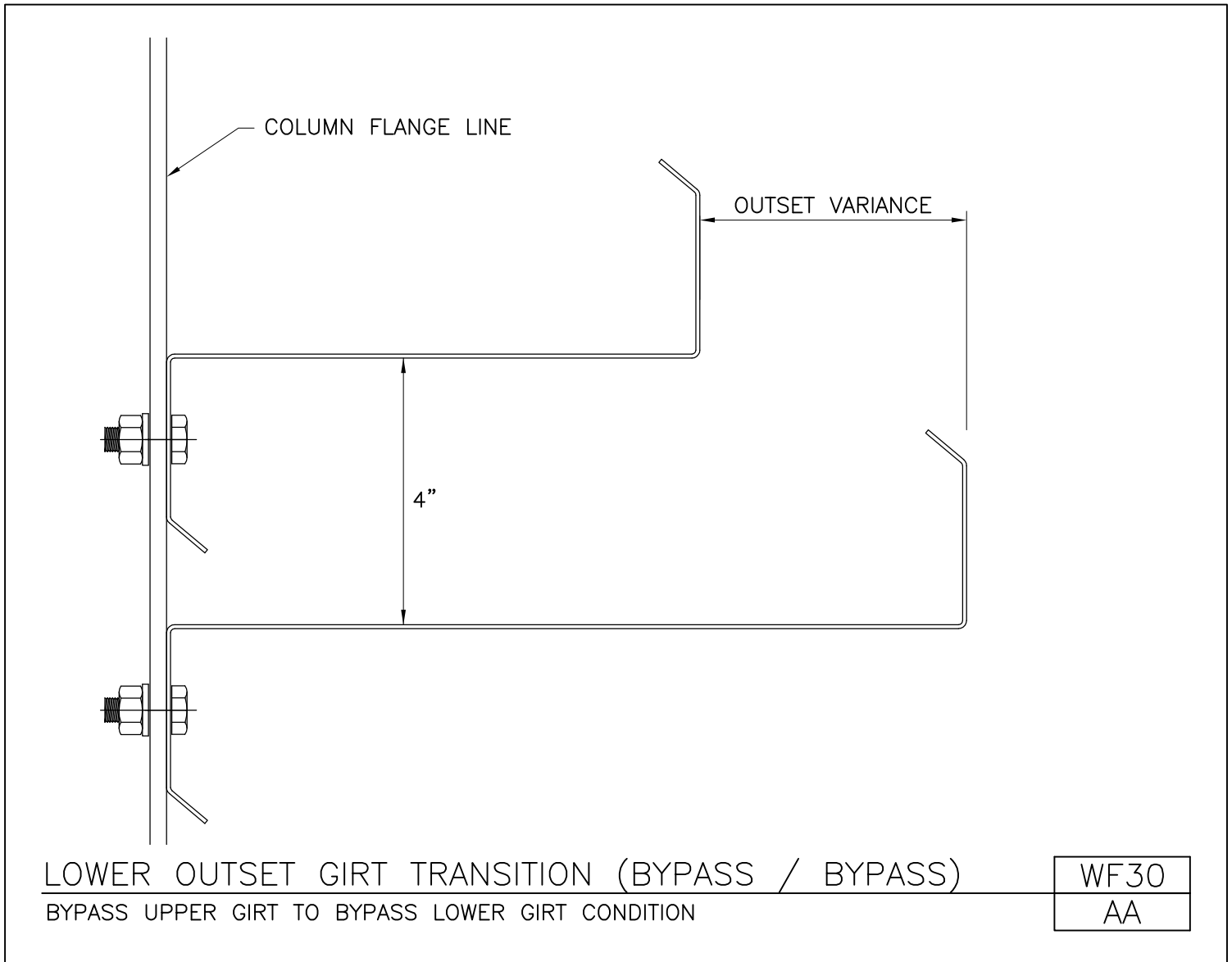
WF26

AA

[Download the DWG file by clicking here.](#)

[To Section Index](#)

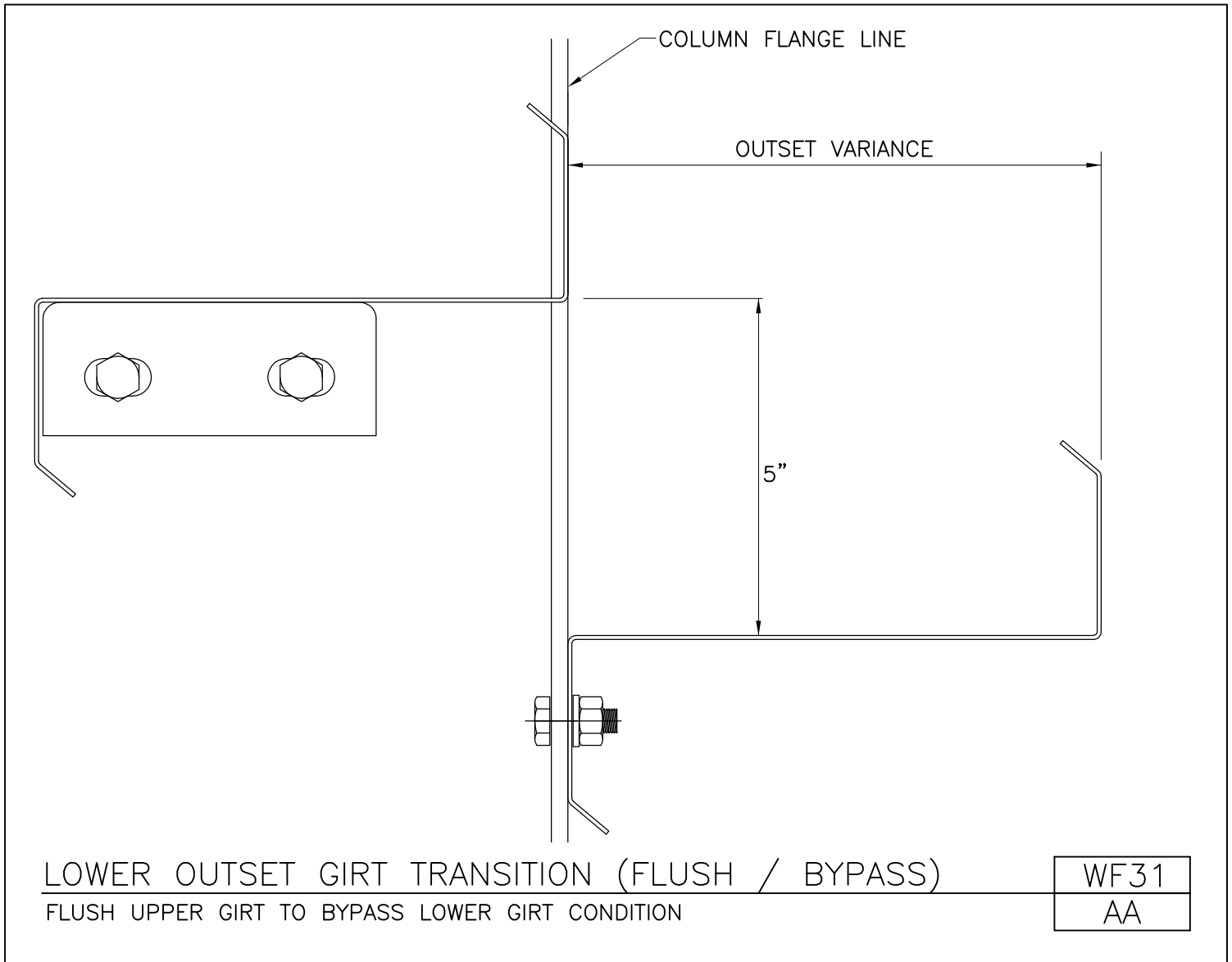
Lower Outset Girt Transition (Bypass / Bypass)
Bypass Upper Girt to Bypass Lower Girt Condition
WF30/AA



[Download the DWG file by clicking here.](#)

[To Section Index](#)

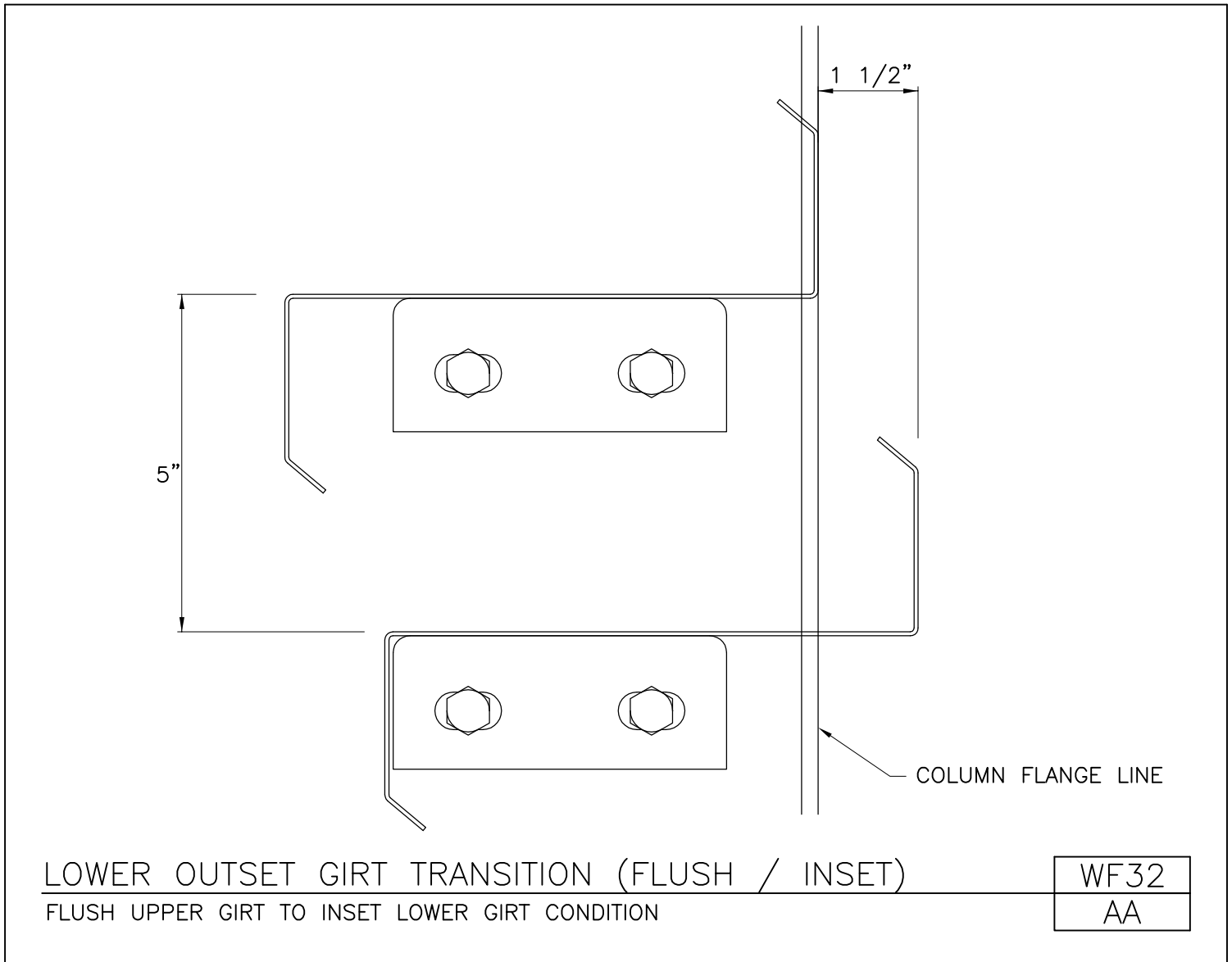
Lower Outset Girt Transition (Flush / Bypass)
Flush Upper Girt to Bypass Lower Girt Condition
WF31/AA



[Download the DWG file by clicking here.](#)

[To Section Index](#)

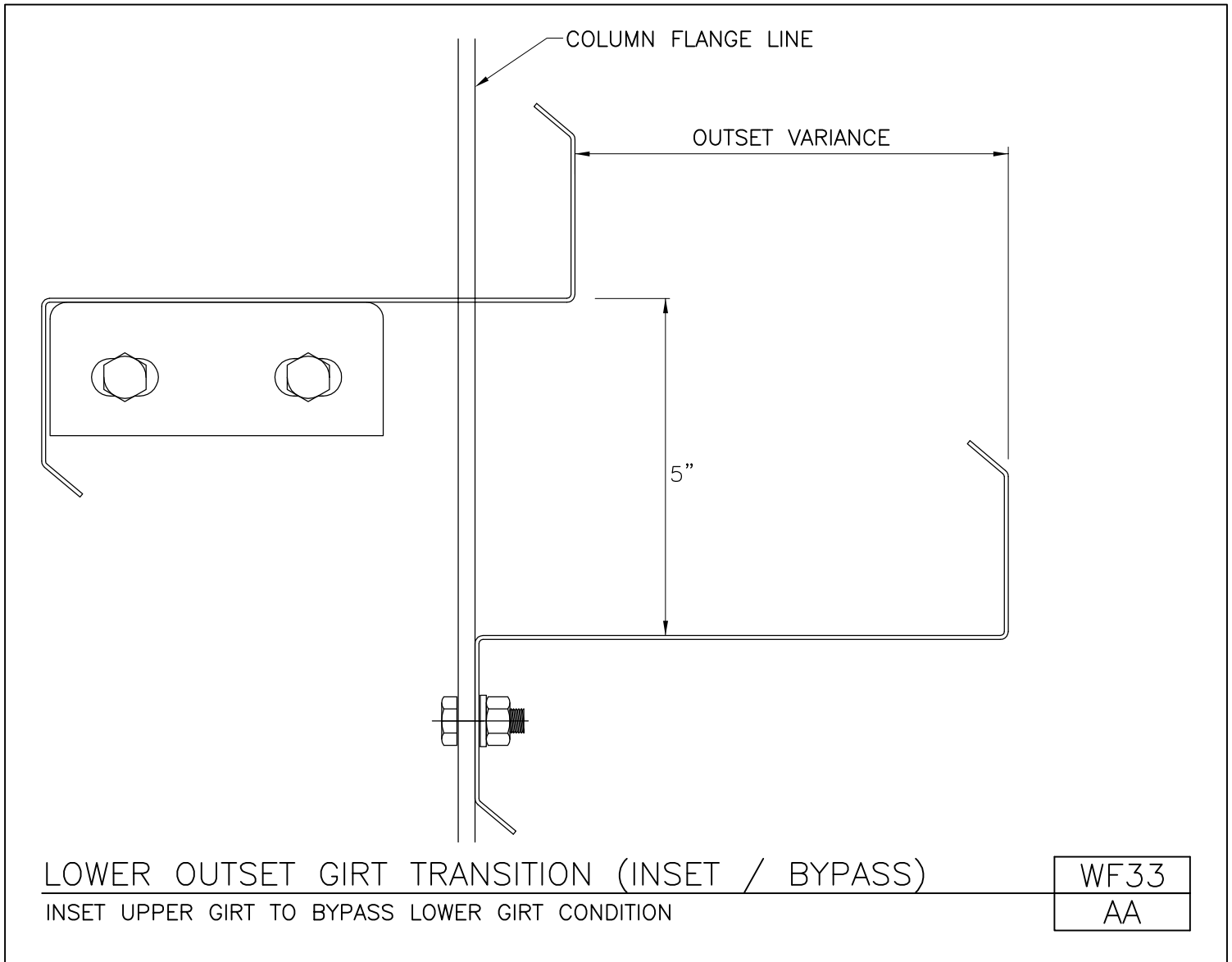
Lower Outset Girt Transition (Flush / Inset)
Flush Upper Girt to Inset Lower Girt Condition
WF32/AA



[Download the DWG file by clicking here.](#)

[To Section Index](#)

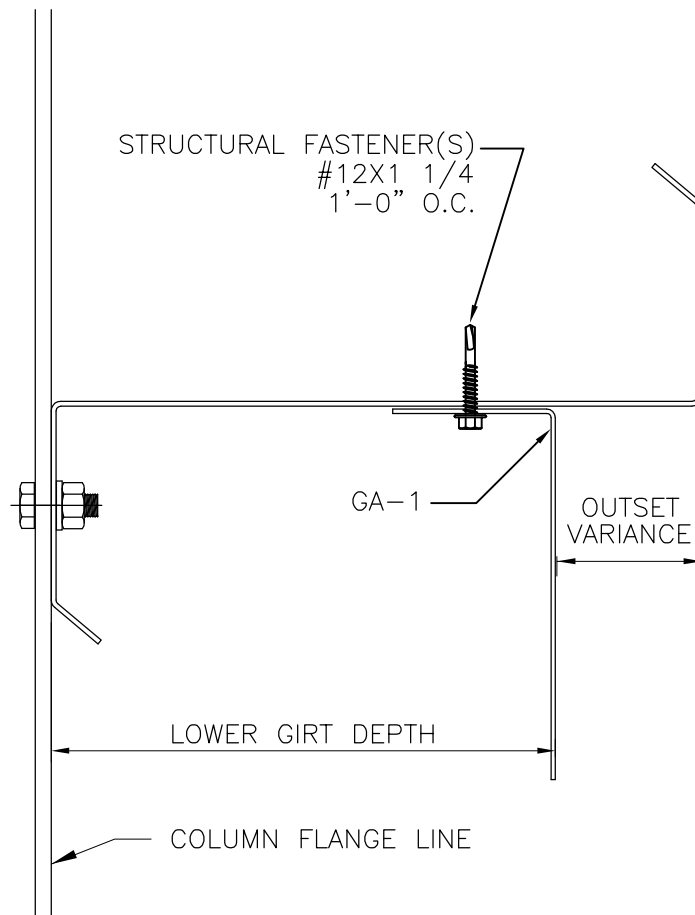
Lower Outset Girt Transition (Inset / Bypass)
Inset Upper Girt to Bypass Lower Girt Condition
WF33/AA



[Download the DWG file by clicking here.](#)

[To Section Index](#)

Upper Outset Girt Transition (Bypass / Bypass)
Bypass Upper Girt to Bypass Lower Girt Condition
WF34/AA



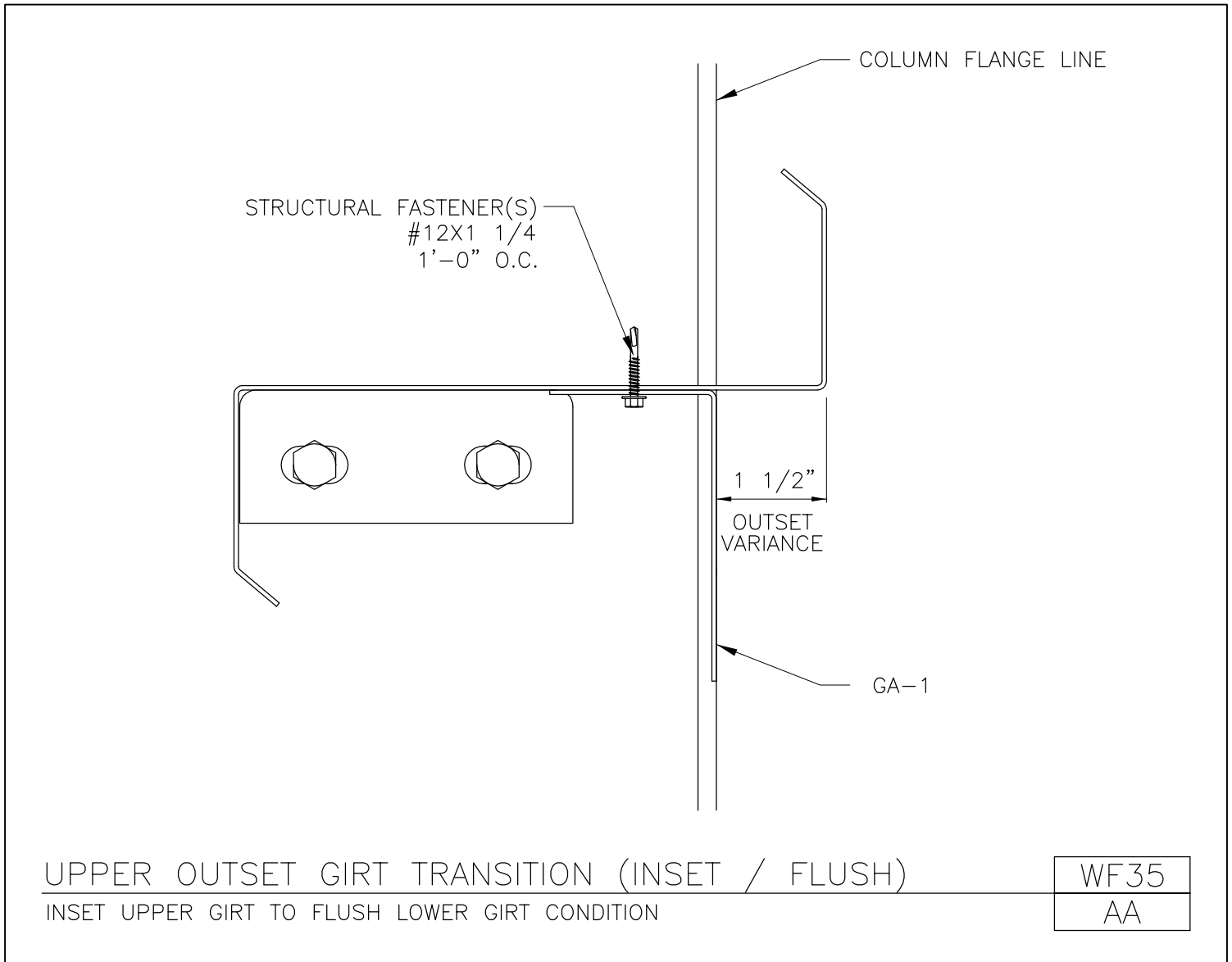
UPPER OUTSET GIRT TRANSITION (BYPASS / BYPASS)
BYPASS UPPER GIRT TO BYPASS LOWER GIRT CONDITION

WF34
AA

[Download the DWG file by clicking here.](#)

[To Section Index](#)

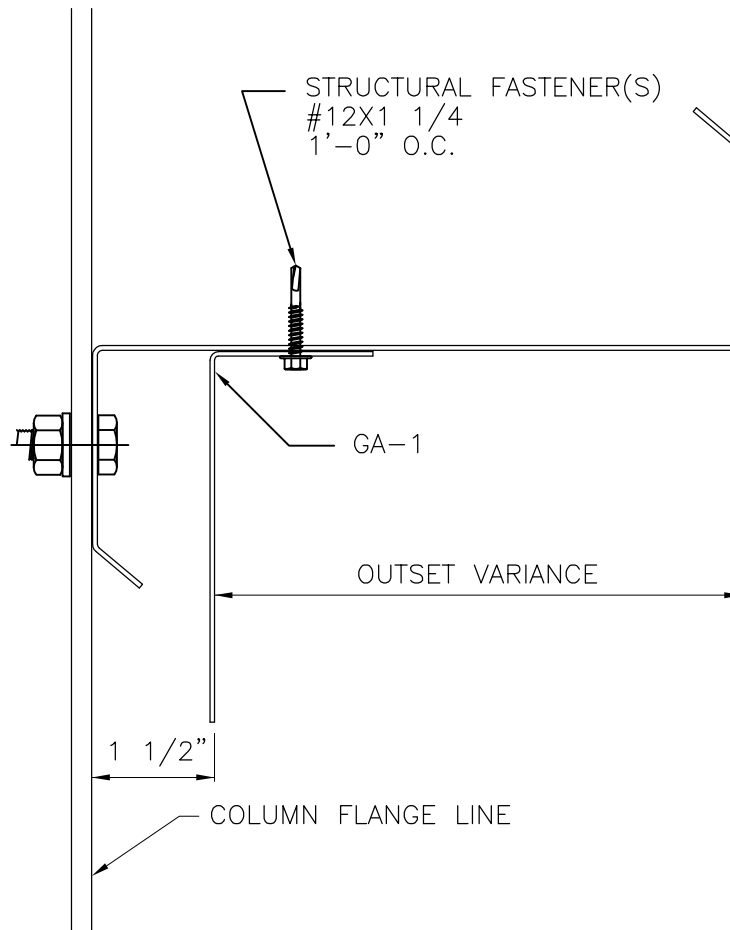
Upper Outset Girt Transition (Inset / Flush)
Inset Upper Girt to Flush Lower Girt Condition
WF35/AA



[Download the DWG file by clicking here.](#)

[To Section Index](#)

Upper Outset Girt Transition (Bypass / Inset)
Bypass Upper Girt to Inset Lower Girt Condition
WF36/AA



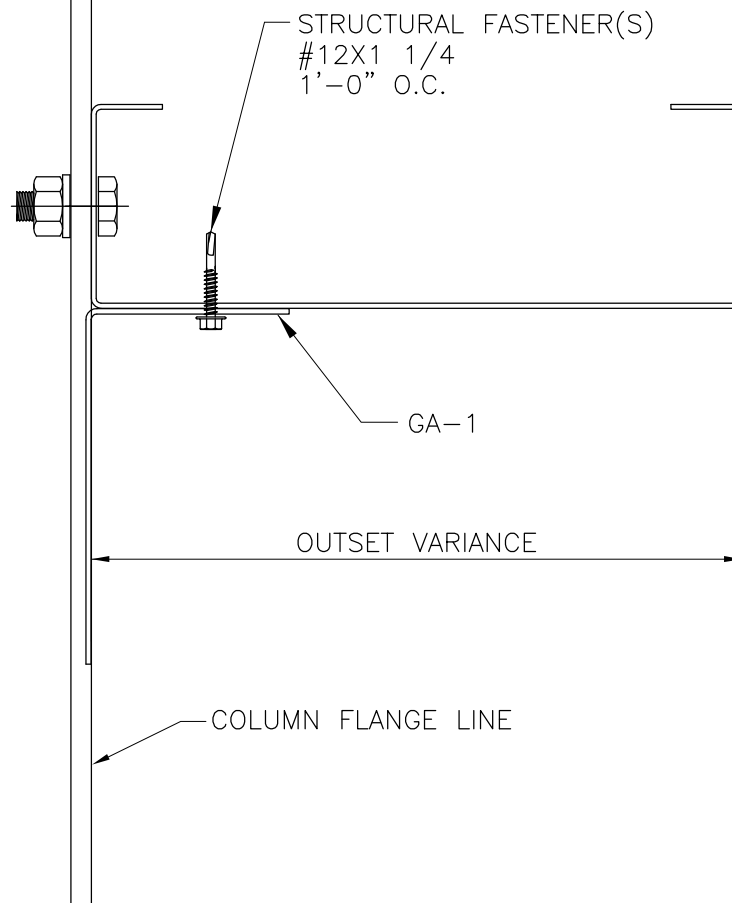
UPPER OUTSET GIRT TRANSITION (BYPASS / INSET)
BYPASS UPPER GIRT TO INSET LOWER GIRT CONDITION

WF36
AA

[Download the DWG file by clicking here.](#)

[To Section Index](#)

Upper Outset Girt Transition (Bypass / Flush)
Bypass Upper Girt to Flush Lower Girt Condition
WF37/AA



UPPER OUTSET GIRT TRANSITION (BYPASS / FLUSH)
BYPASS UPPER GIRT TO FLUSH LOWER GIRT CONDITION

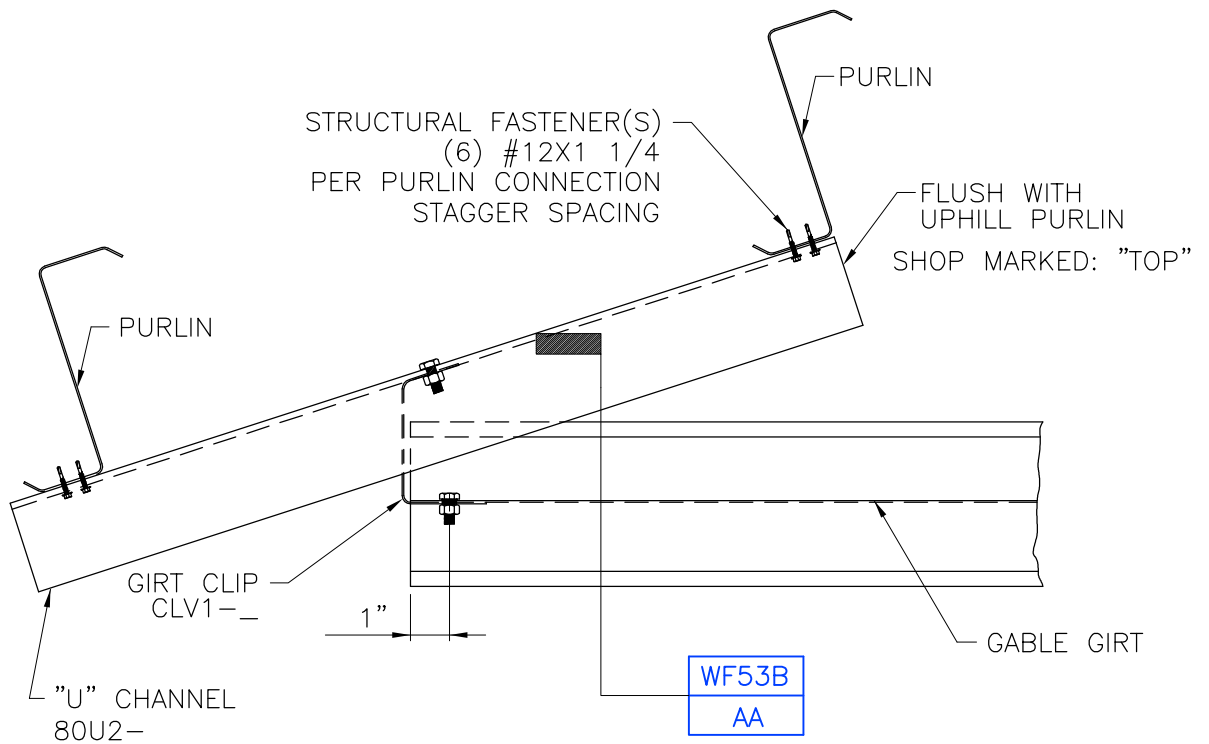
WF37
AA

[Download the DWG file by clicking here.](#)

[To Section Index](#)

Gable Girt Off Purlin Connection
Bypass Girts
WF53/AA

NOTE:
FRAME BRACES ARE REQUIRED AT FIRST PURLIN ABOVE
AND FIRST PURLIN BELOW CLV1-_- CONNECTION



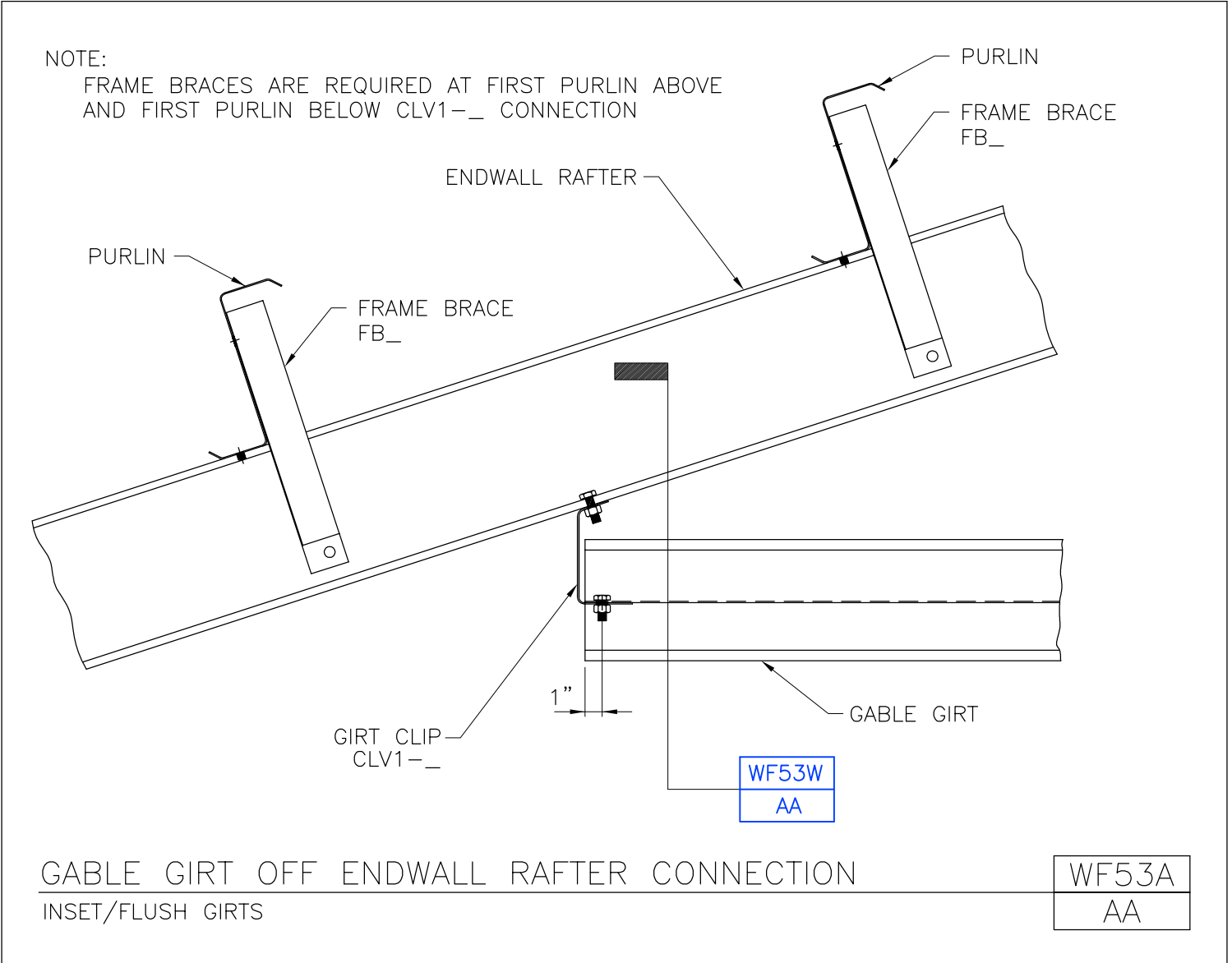
GABLE GIRT OFF PURLIN CONNECTION
BYPASS GIRTS

WF53
AA

[Download the DWG file by clicking here.](#)

[To Section Index](#)

Gable Girt Off Endwall Rafter Connection
Inset/Flush Girts
WF53A/AA

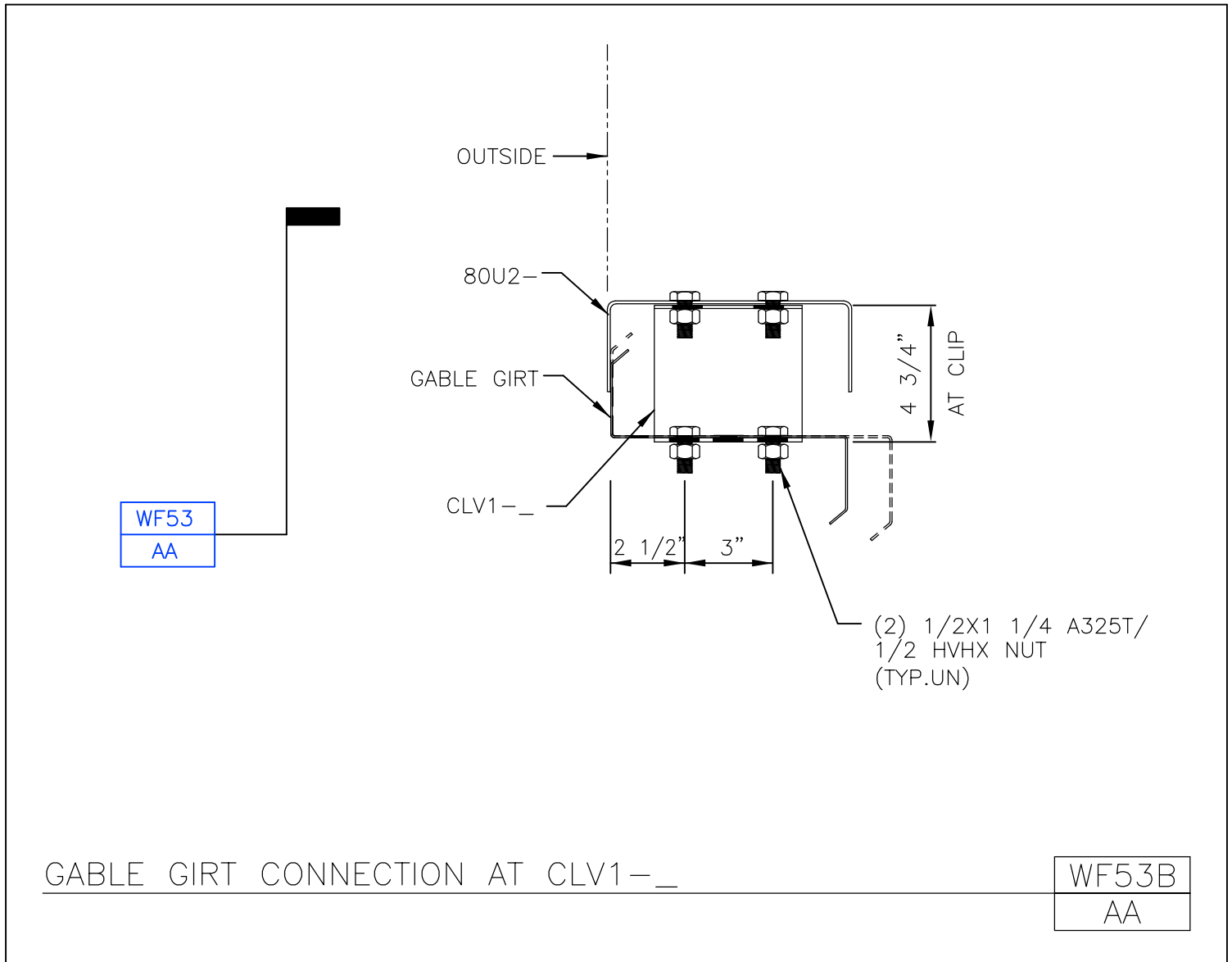


[Download the DWG file by clicking here.](#)

[To Section Index](#)

Gable Girt Connection at CLV1-

WF53B/AA

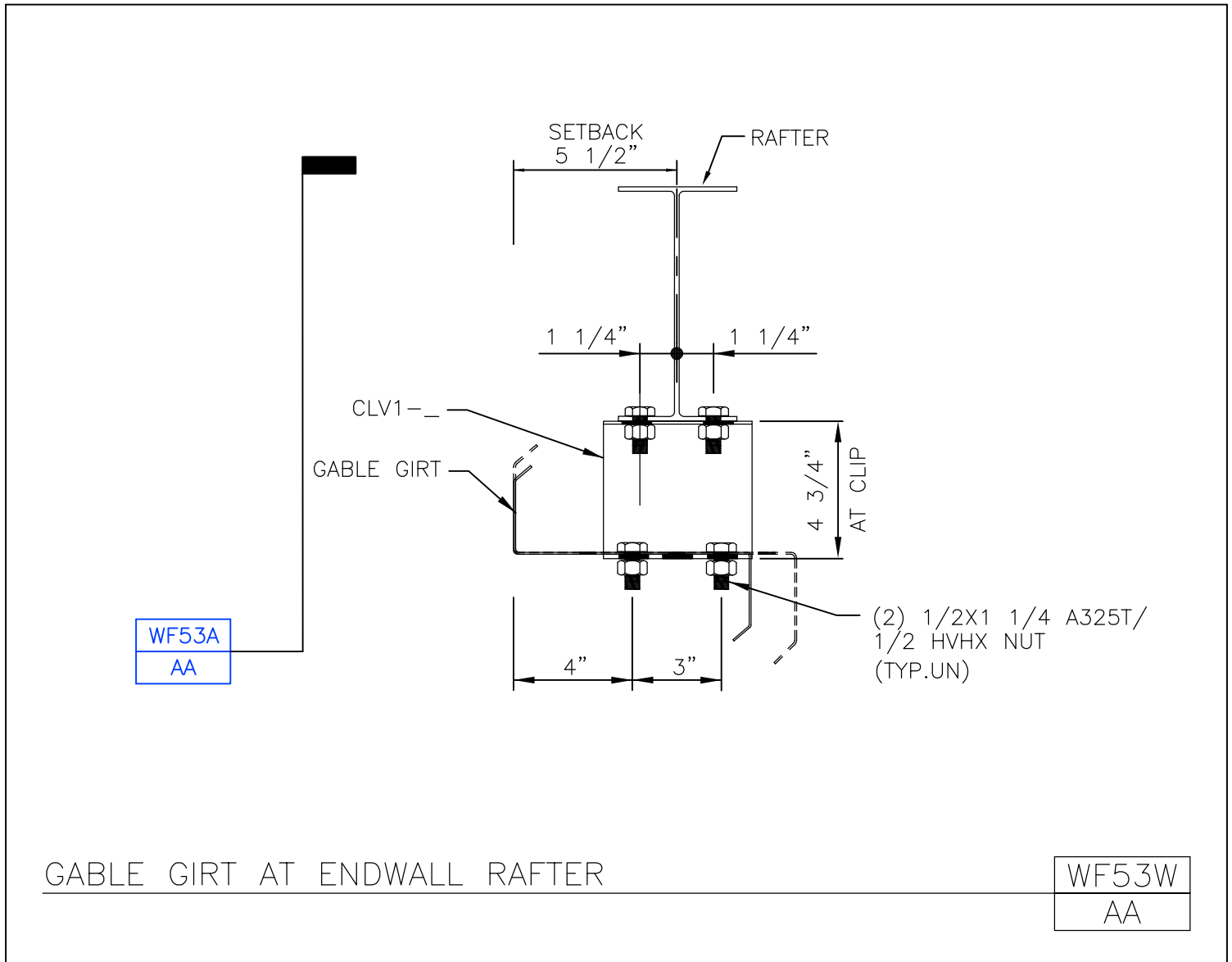


[Download the DWG file by clicking here.](#)

[To Section Index](#)

Gable Girt at Endwall Rafter

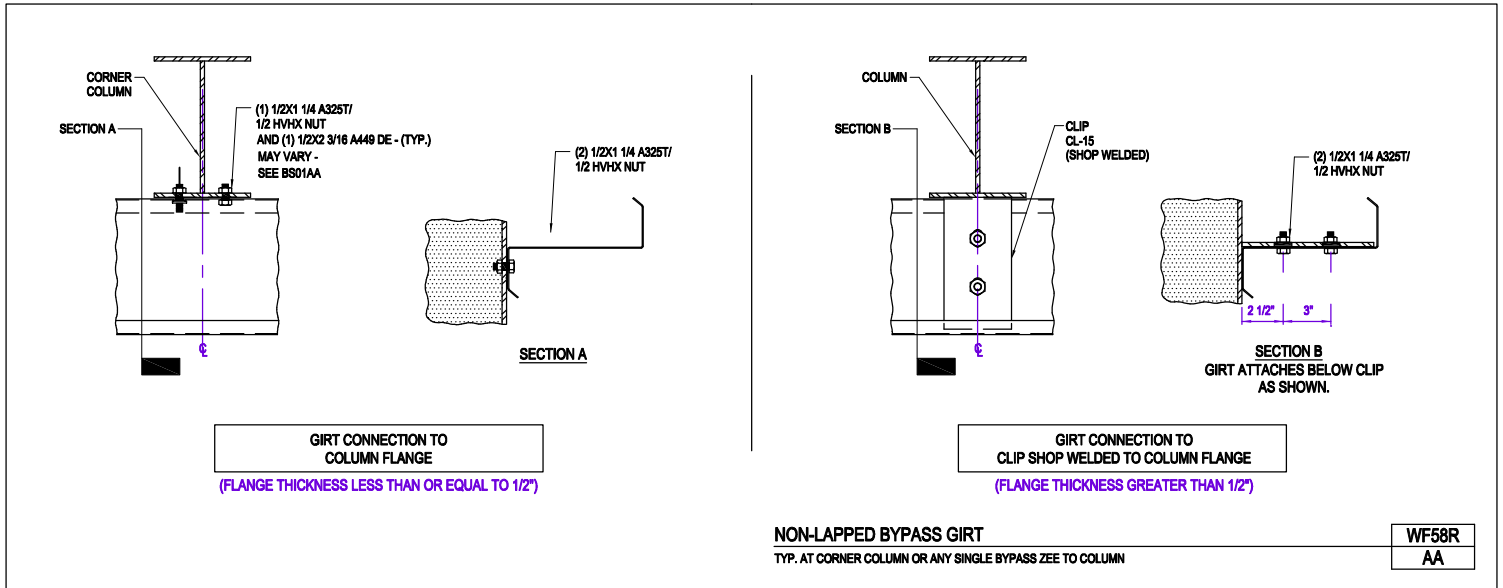
WF53W/AA



[Download the DWG file by clicking here.](#)

[To Section Index](#)

Non-Lapped Bypass Girt
 Typ. at Corner Column or Any Single Bypass Zee to Column
 WF58R/AA

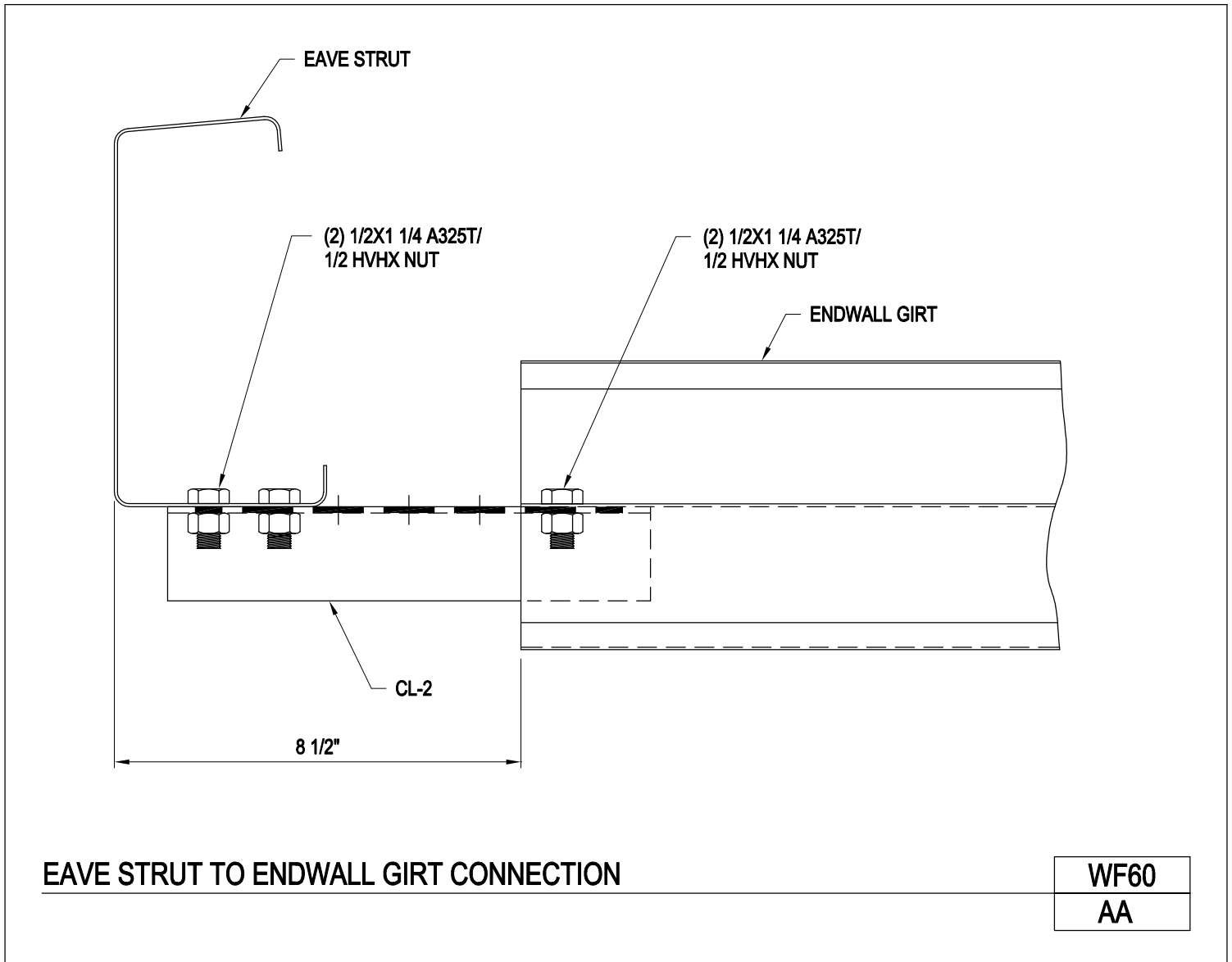


[Download the DWG file by clicking here.](#)

[To Section Index](#)

Eave Strut to Endwall Girt Connection

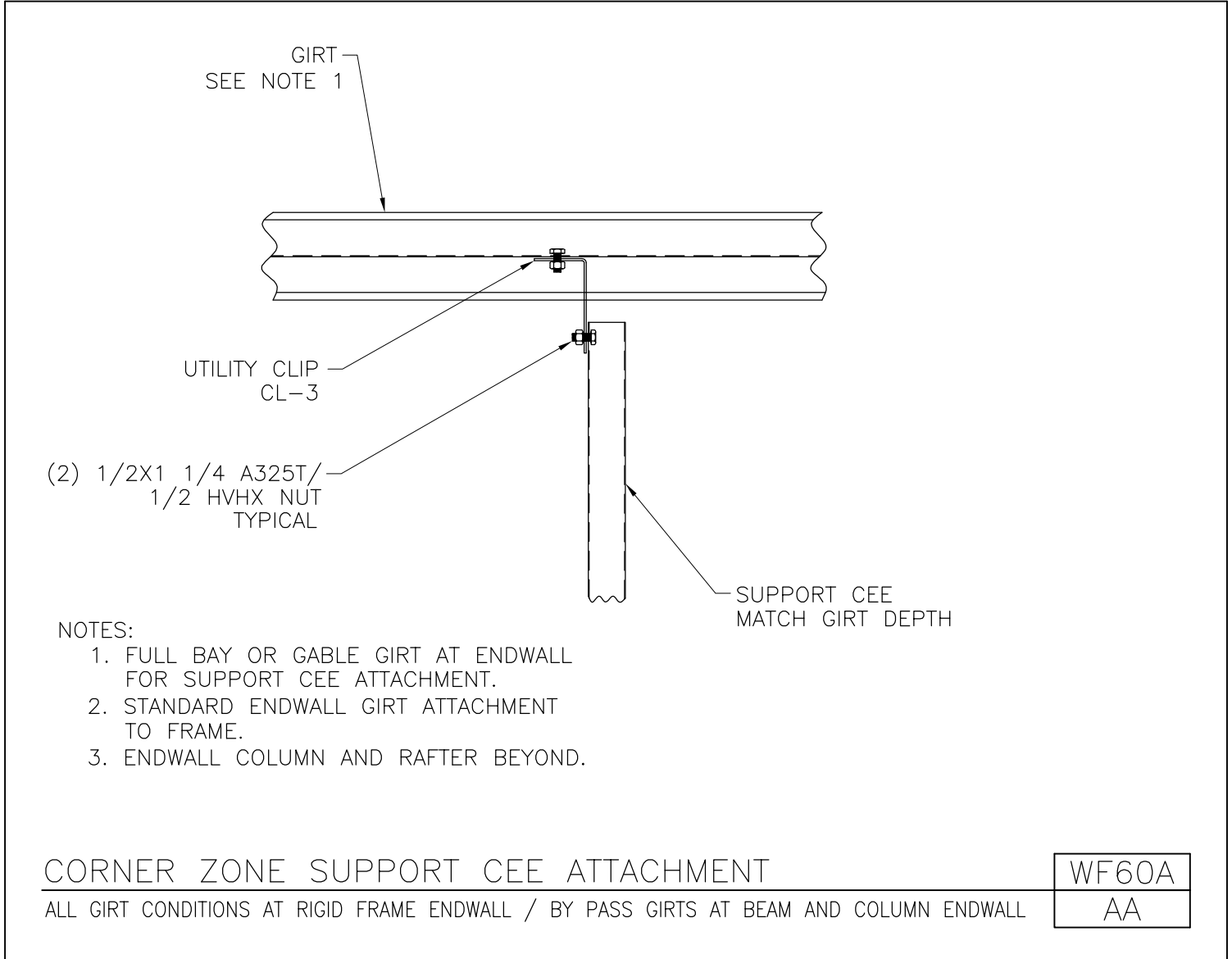
WF60/AA



[Download the DWG file by clicking here.](#)

[To Section Index](#)

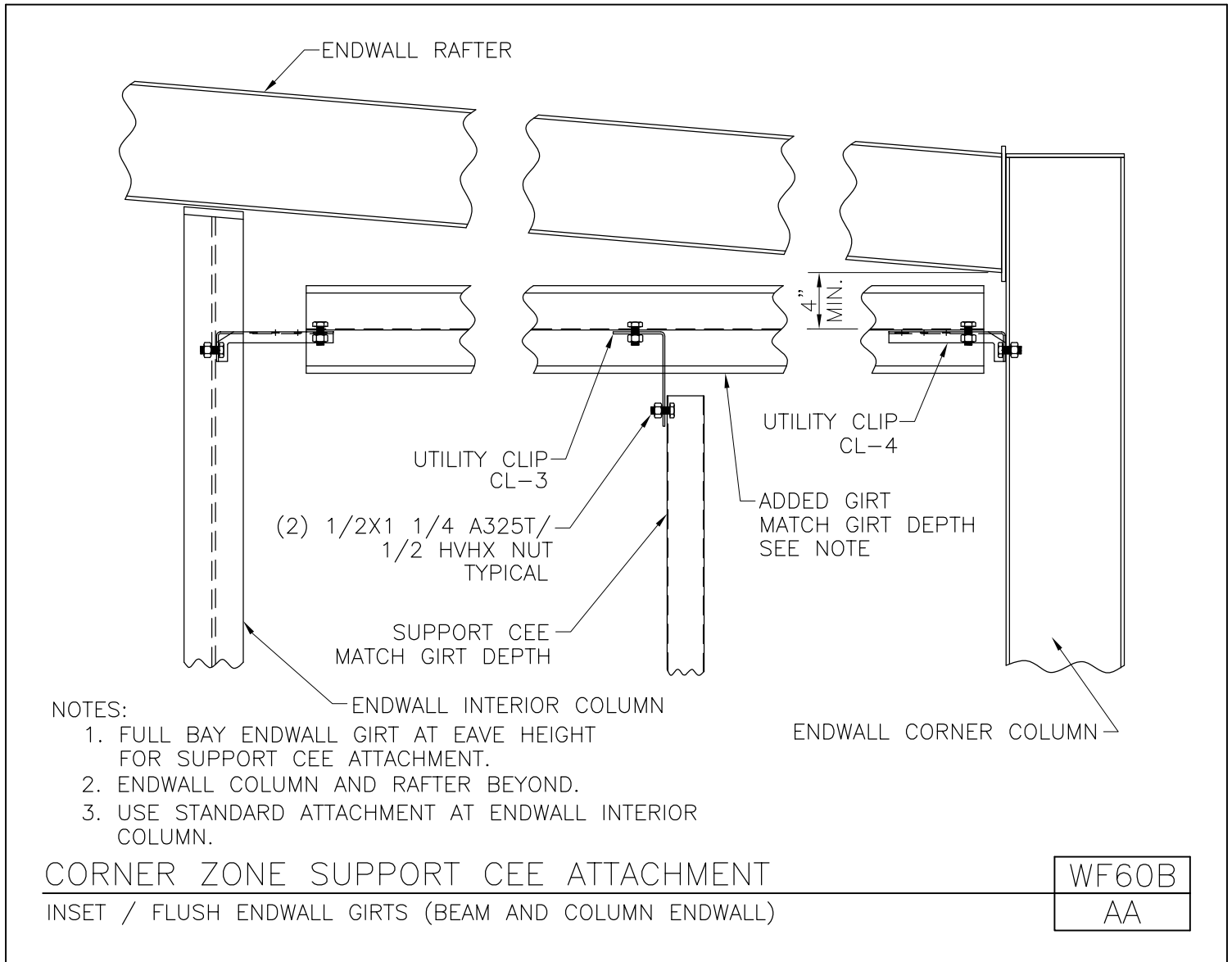
Corner Zone Support Cee Attachment
All Girt Conditions at Rigid Frame Endwall / Bypass Girts at Beam and Column Endwall
WF60A/AA



[Download the DWG file by clicking here.](#)

[To Section Index](#)

Corner Zone Support Cee Attachment
Inset / Flush Endwall Girts (Beam and Column Endwall)
WF60B/AA

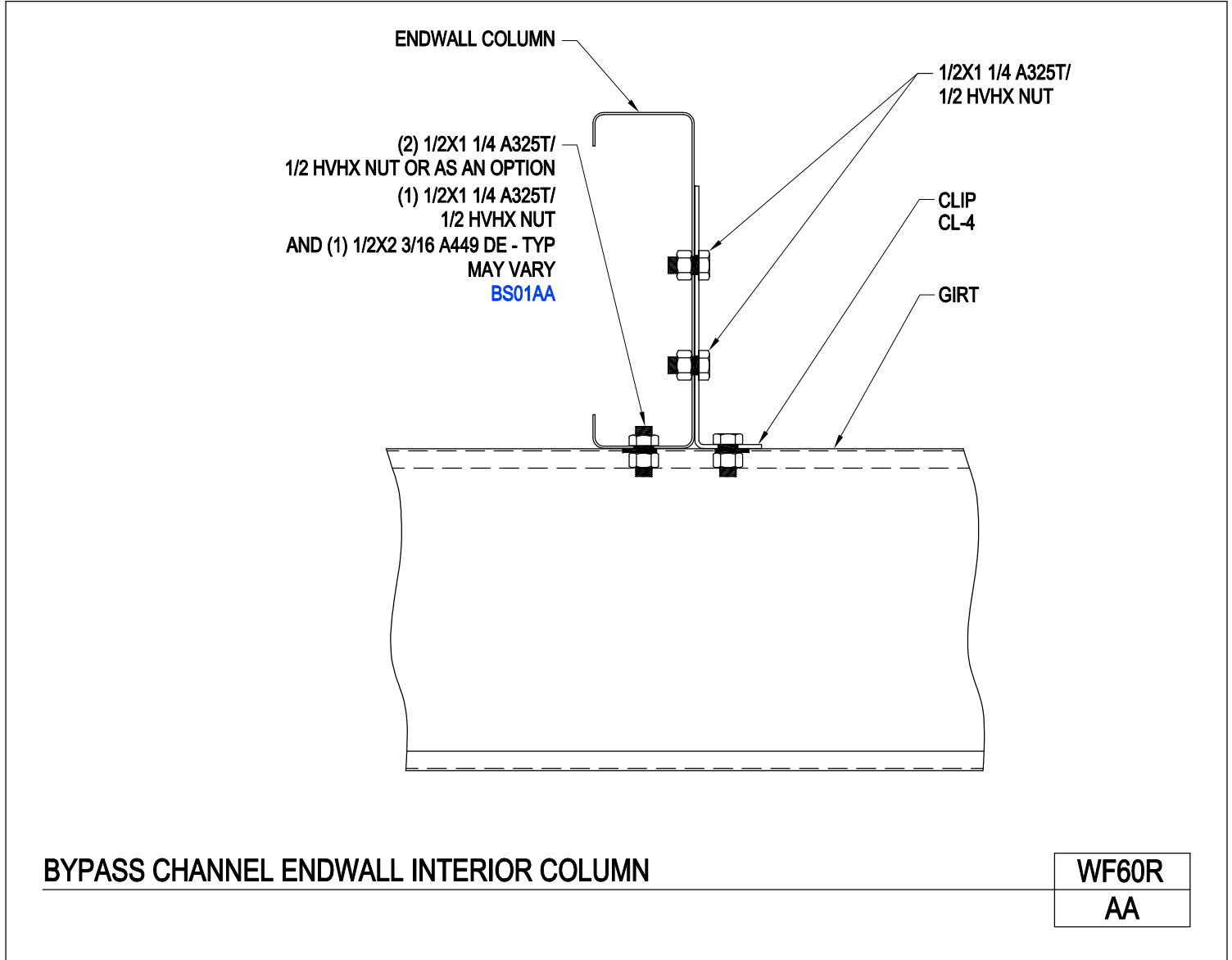


[Download the DWG file by clicking here.](#)

[To Section Index](#)

Bypass Channel Endwall Interior Column

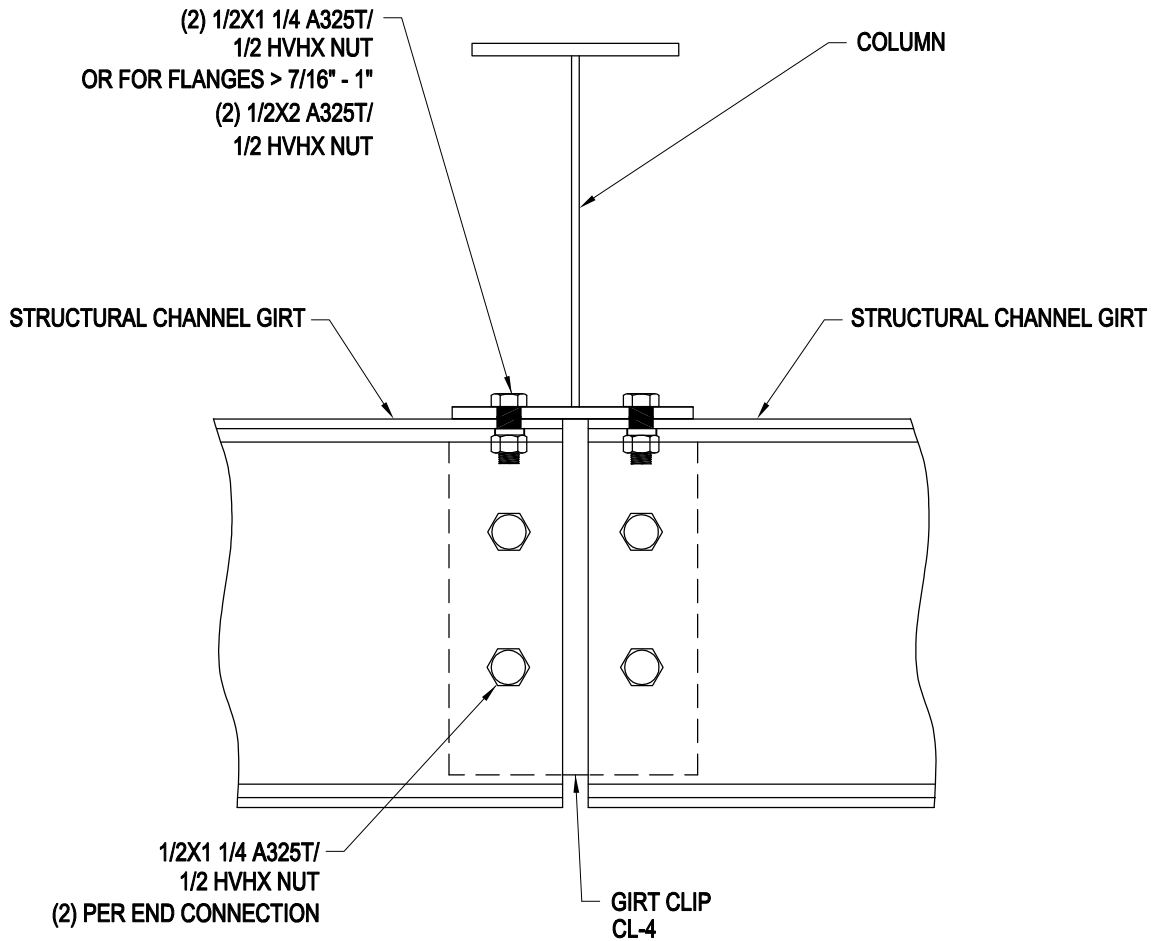
WF60R/AA



[Download the DWG file by clicking here.](#)

[To Section Index](#)

By-Pass Non-Lapped Girt Connection to Column
Structural Channel Girt
WF91R/AA



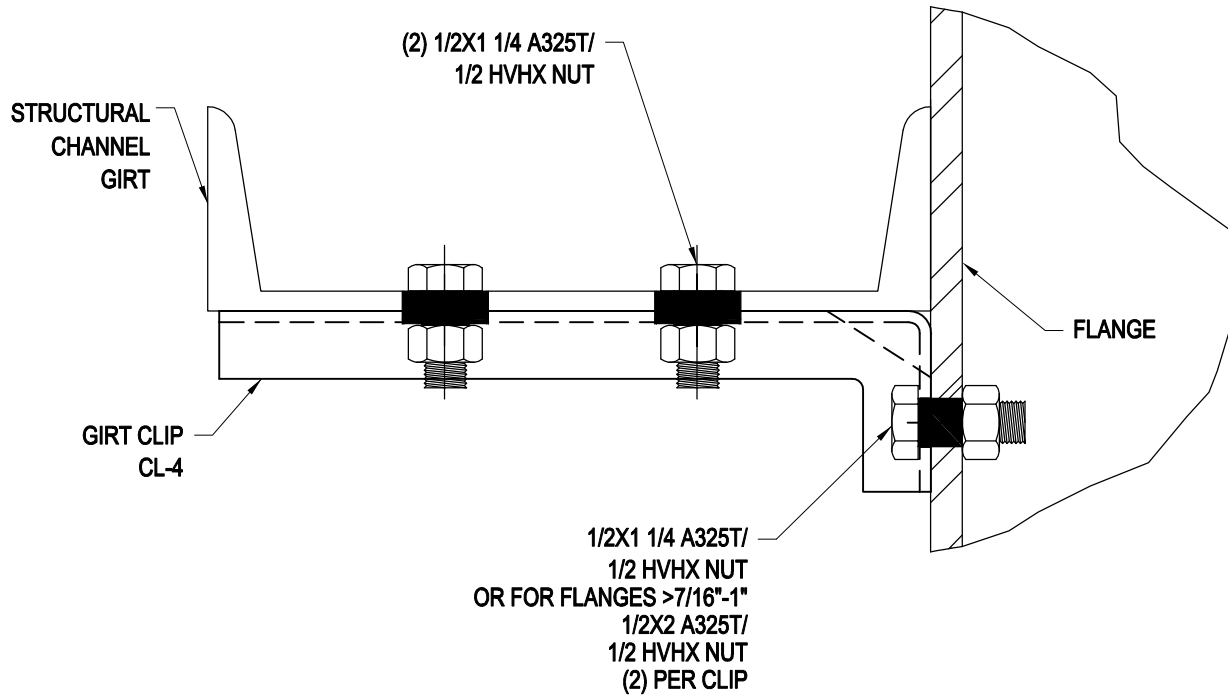
BY-PASS NON-LAPPED GIRT CONNECTION TO COLUMN
STRUCTURAL CHANNEL GIRT

WF91R
AA

[Download the DWG file by clicking here.](#)

[To Section Index](#)

Structural Girt to Column Flange
Structural Channel Girt
WF91RW/AA



STRUCTURAL GIRTS TO COLUMN FLANGE
STRUCTURAL CHANNEL GIRTS

WF91RW
AA

[Download the DWG file by clicking here.](#)

[To Section Index](#)