

Product Manual - Skylights

SK01/BA, Skylight Side View

SK01/SA, Skylight Installation Detail

SK01/SAD, Skylight Installation Detail

SK02/BA, UL90 Approved Skylight Side View

SK11/BA, Skylight Endlap at Downslope End (Detail "A")

SK12/BA, UL90 Approved Skylight Endlap at Downslope End (Detail "A")

SK16/BA, Skylight Endlap at Upslope End (Detail "C")

SK17/BA, UL90 Approved Skylight Endlap at Upslope End (Detail "C")

SK21A/BA, "Panel to Skylight" Connection at Sidelap

SK21/BA, "Skylight to Panel" Connection at Sidelap

SK22A/BA, UL90 Approved "Panel to Skylight" Connection at Sidelap

SK22/BA, UL90 Approved "Skylight to Panel" Connection at Sidelap

SK26/BA, Skylight Attachment at Intermediate Purlin (Detail "B")

SK27/BA, UL90 Approved Skylight Attachment at Intermediate Purlin (Detail "B")

SK31/BA, Skylight Fastener Layout

SK32/BA, UL90 Approved Skylight Fastener Layout

SK41/SAD, Skylight Insulation Frame Installation

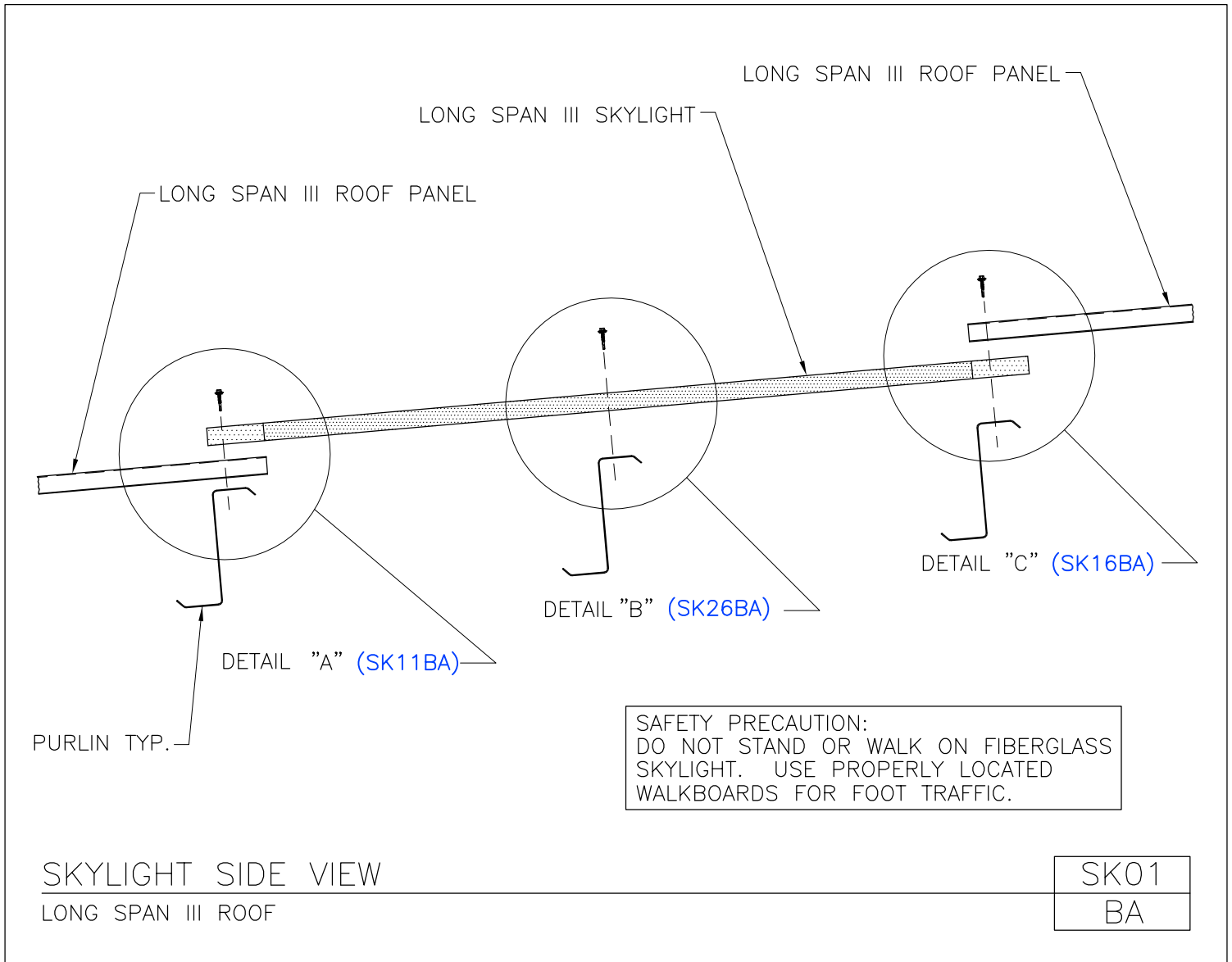
SK51/BA, Skylight Insulation Trim Layout

SK52/BA, UL90 Approved Skylight Rib Reinforcement Layout

SK91/BA, Skylight Notes

SK92/BA, UL90 Approved Skylight Notes

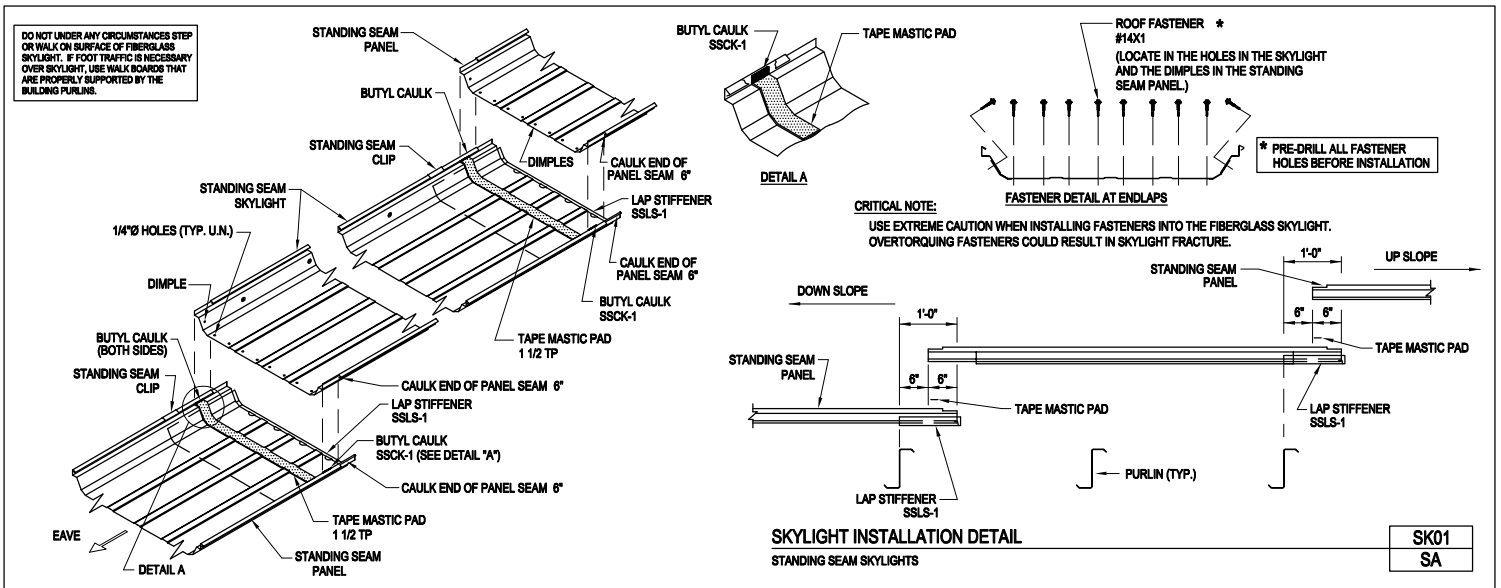
Skylight Side View
Long Span III Roof
SK01/BA



[Download the DWG file by clicking here.](#)

[To Section Index](#)

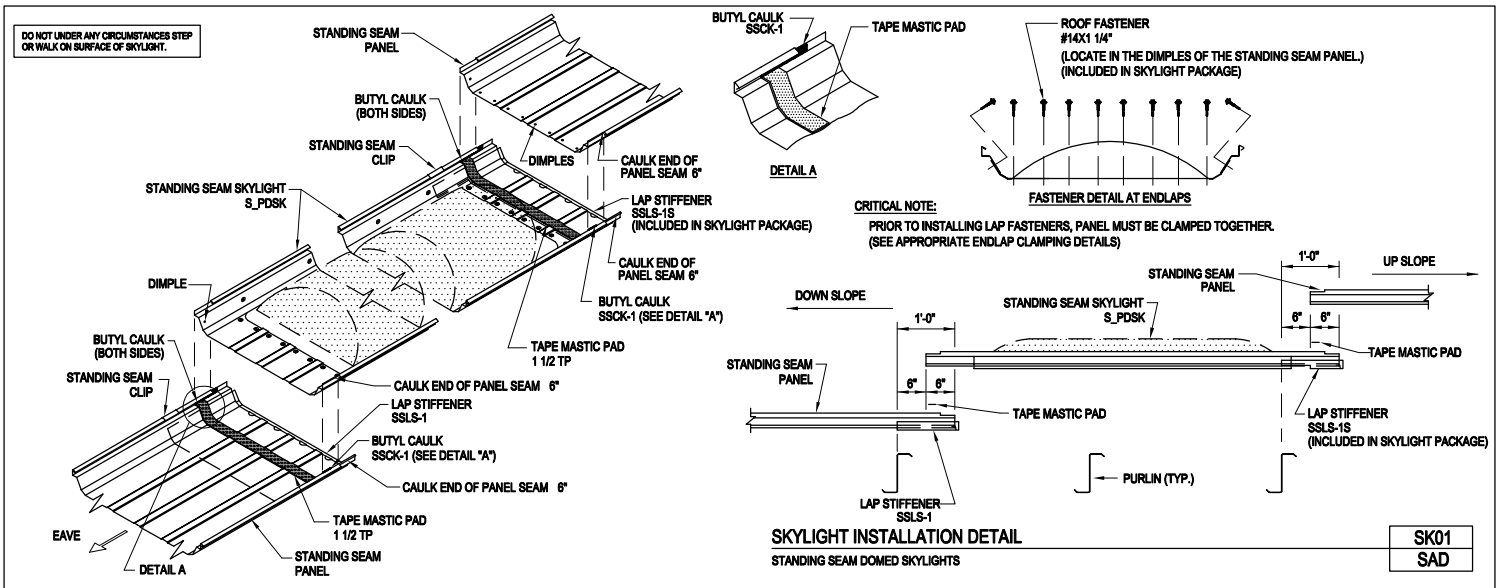
Skylight Installation Detail
Standing Seam Skylights
SK01/SA



[Download the DWG file by clicking here.](#)

[To Section Index](#)

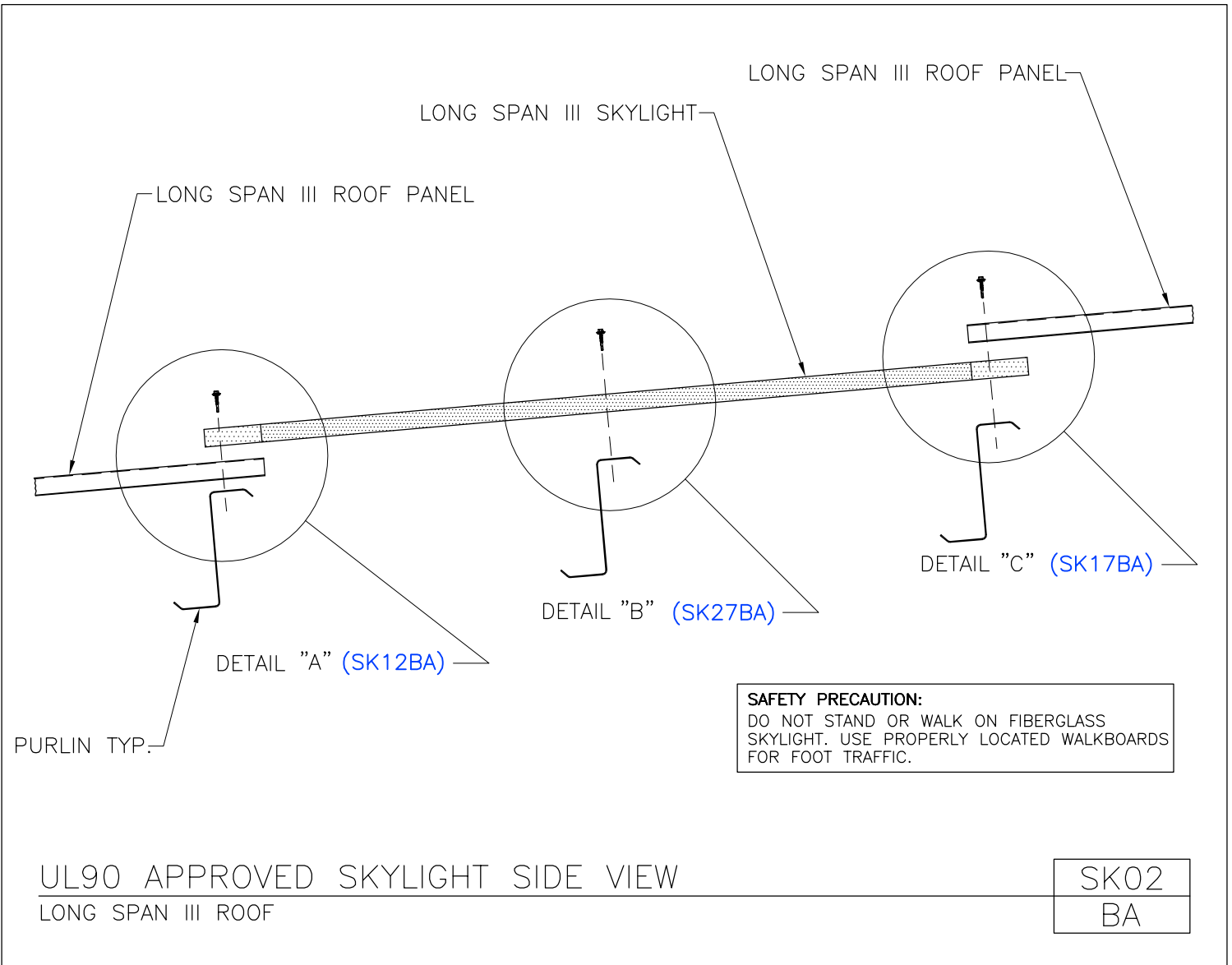
Skylight Installation Detail
Standing Seam Domed Skylights
SK01/SAD



[Download the DWG file by clicking here.](#)

[To Section Index](#)

UL90 Approved Skylight Side View
Long Span III Roof
SK02/BA



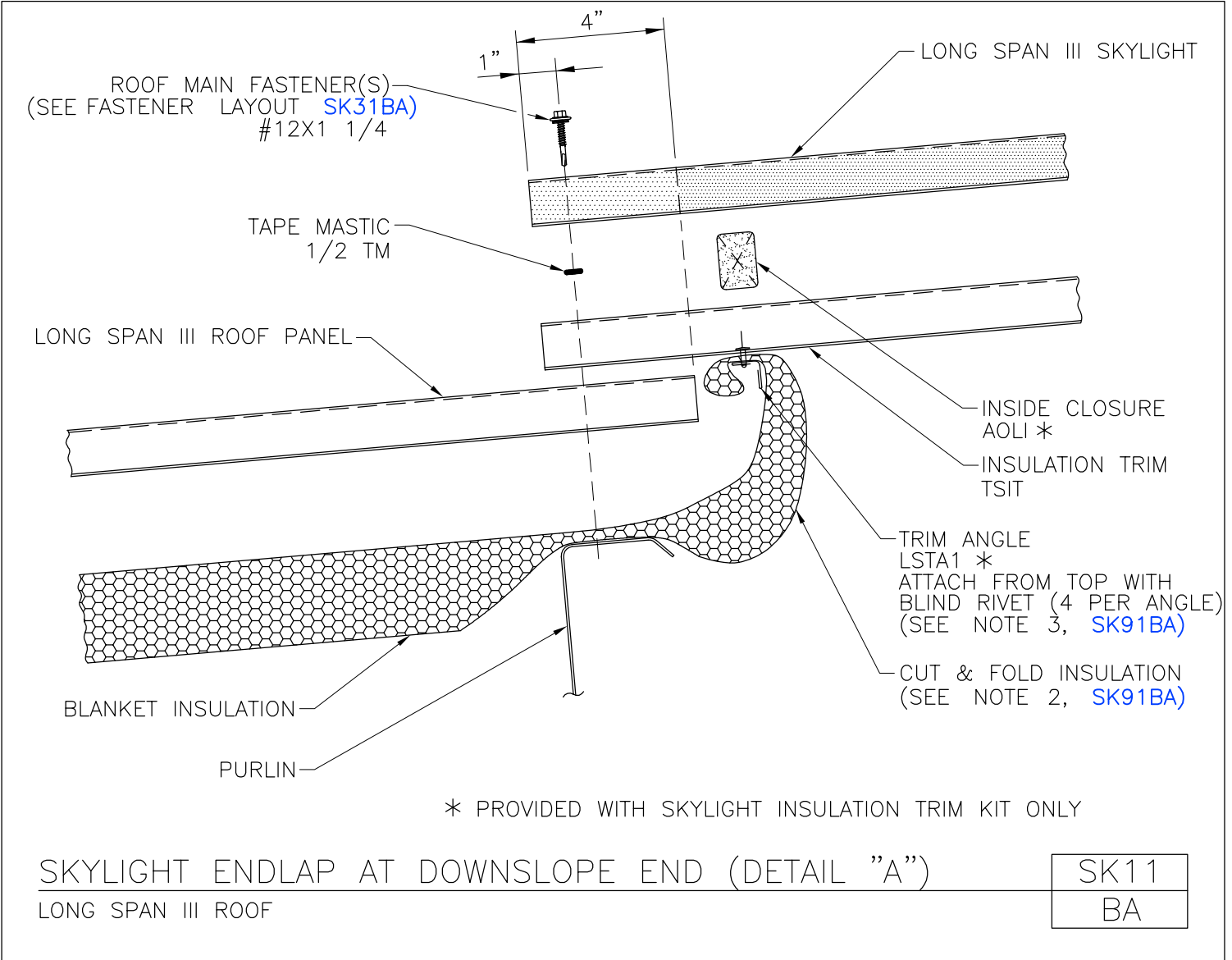
[Download the DWG file by clicking here.](#)

[To Section Index](#)

Skylight Endlap at Downslope End (Detail "A")

Long Span III Roof

SK11/BA



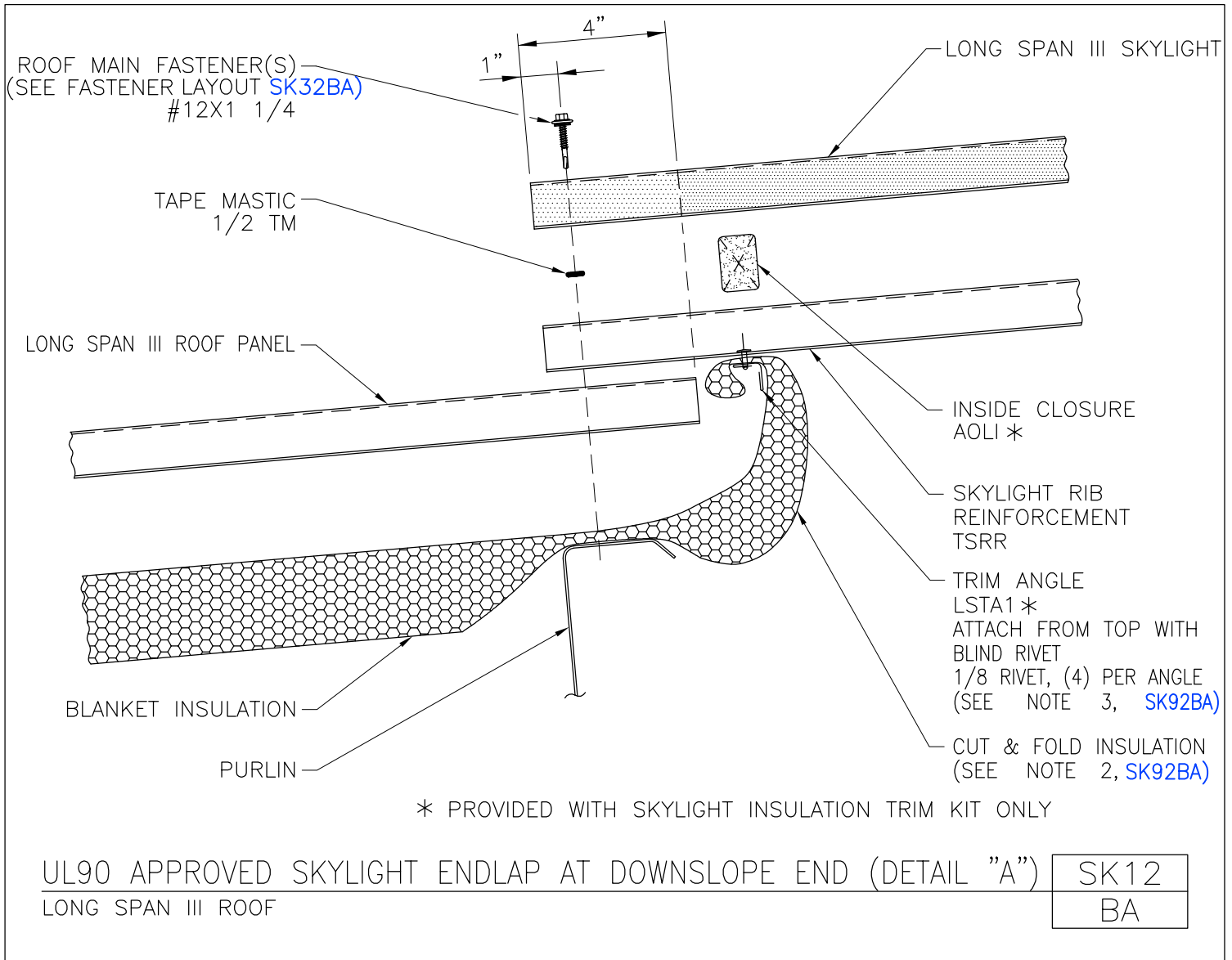
[Download the DWG file by clicking here.](#)

[To Section Index](#)

UL90 Approved Skylight Endlap at Downslope End (Detail "A")

Long Span III Roof

SK12/BA



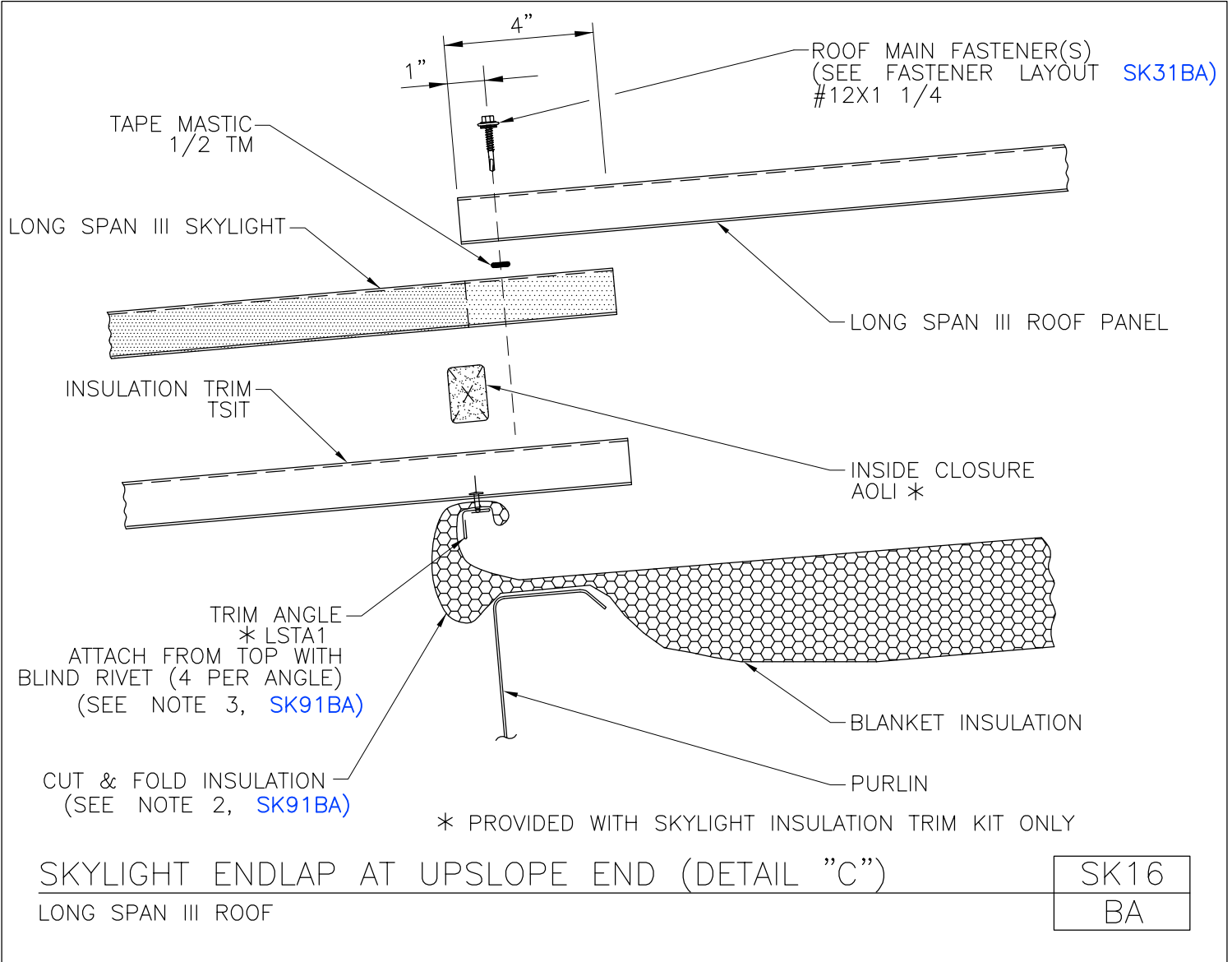
[Download the DWG file by clicking here.](#)

[To Section Index](#)

Skylight Endlap at Upslope End (Detail "C")

Long Span III Roof

SK16/BA



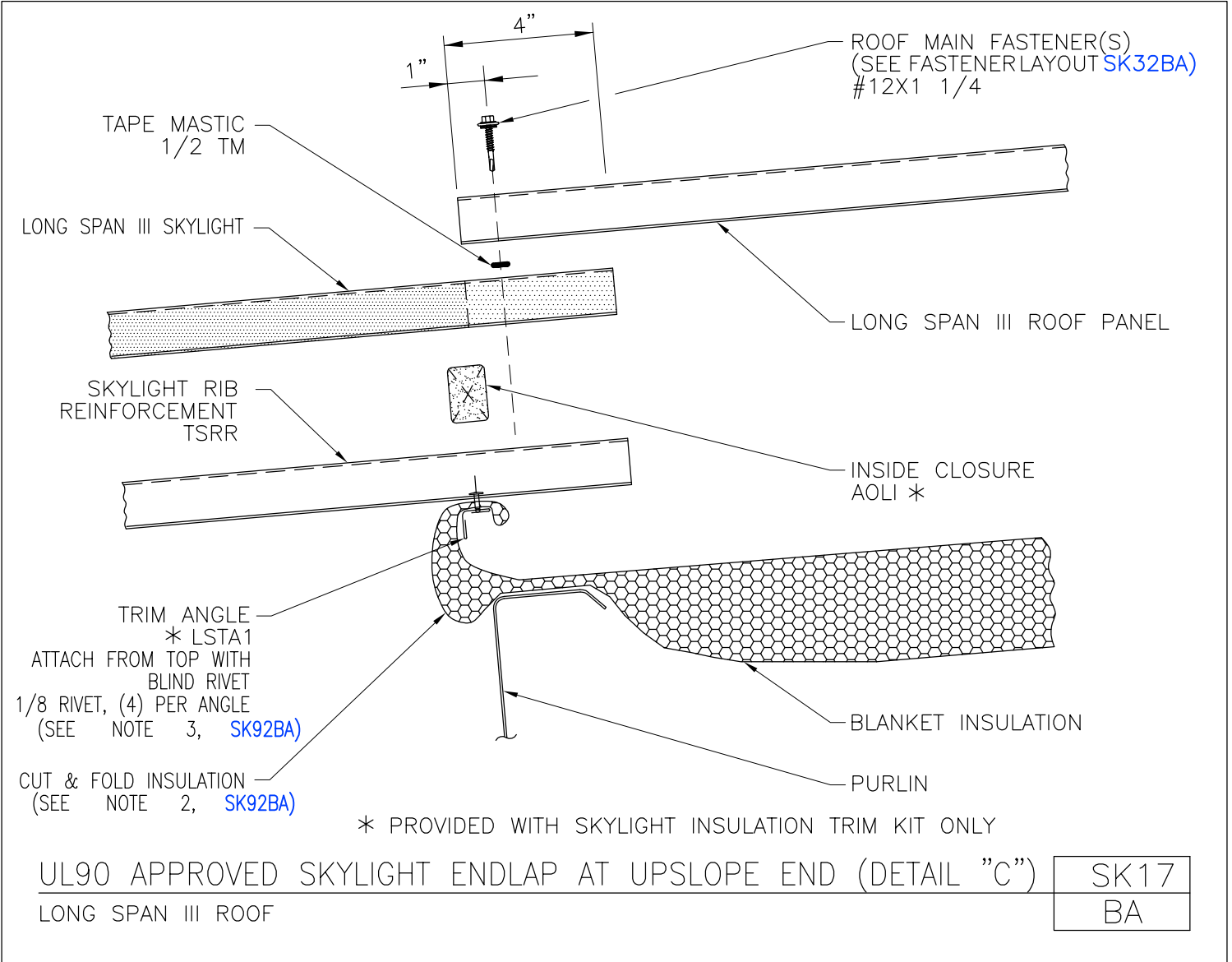
[Download the DWG file by clicking here.](#)

[To Section Index](#)

UL90 Approved Skylight Endlap at Upslope End (Detail "C")

Long Span III Roof

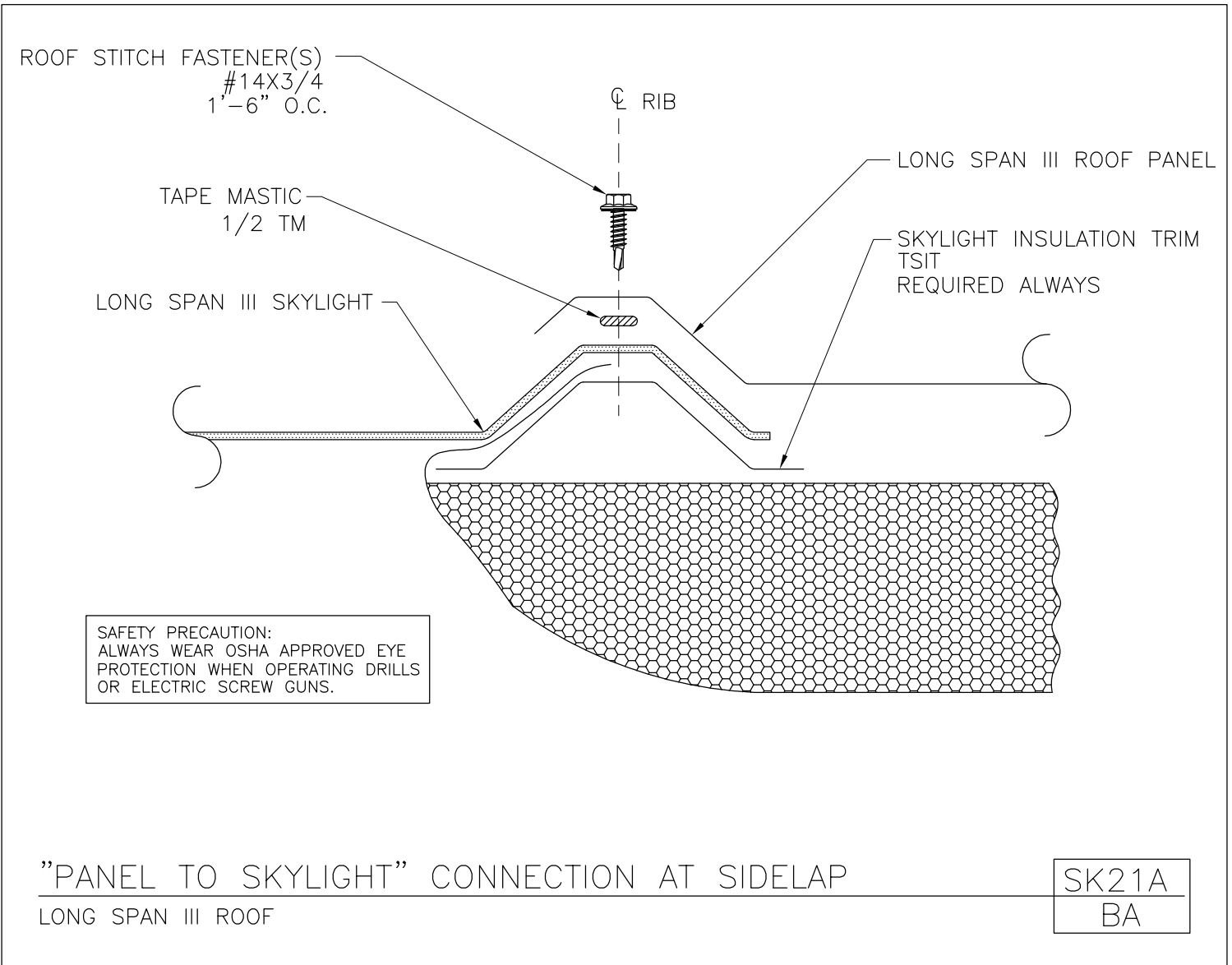
SK17/BA



[Download the DWG file by clicking here.](#)

[To Section Index](#)

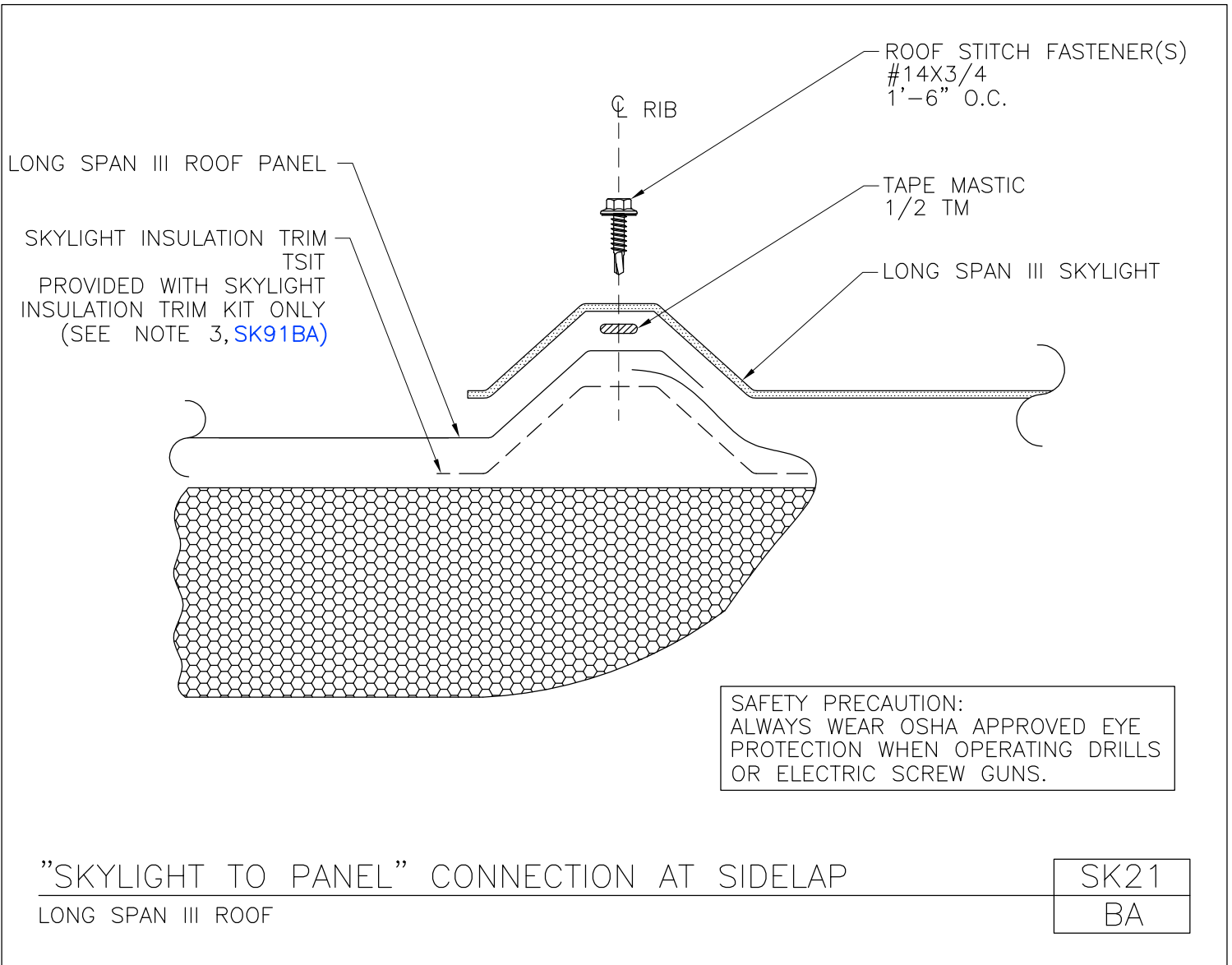
"Panel to Skylight" Connection at Sidelap
 Long Span III Roof
 SK21A/BA



[Download the DWG file by clicking here.](#)

[To Section Index](#)

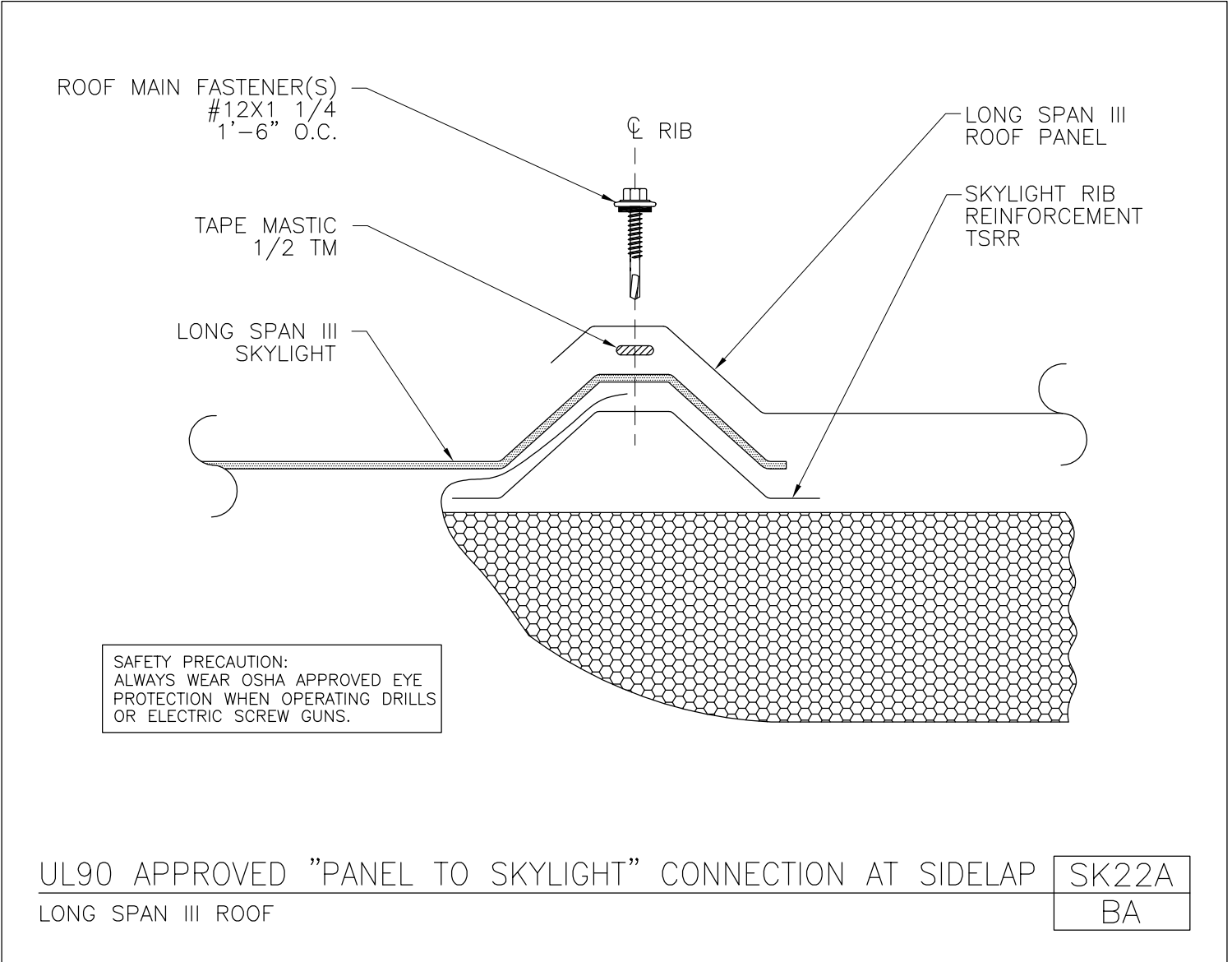
"Skylight to Panel" Connection at Sidelap
 Long Span III Roof
 SK21/BA



[Download the DWG file by clicking here.](#)

[To Section Index](#)

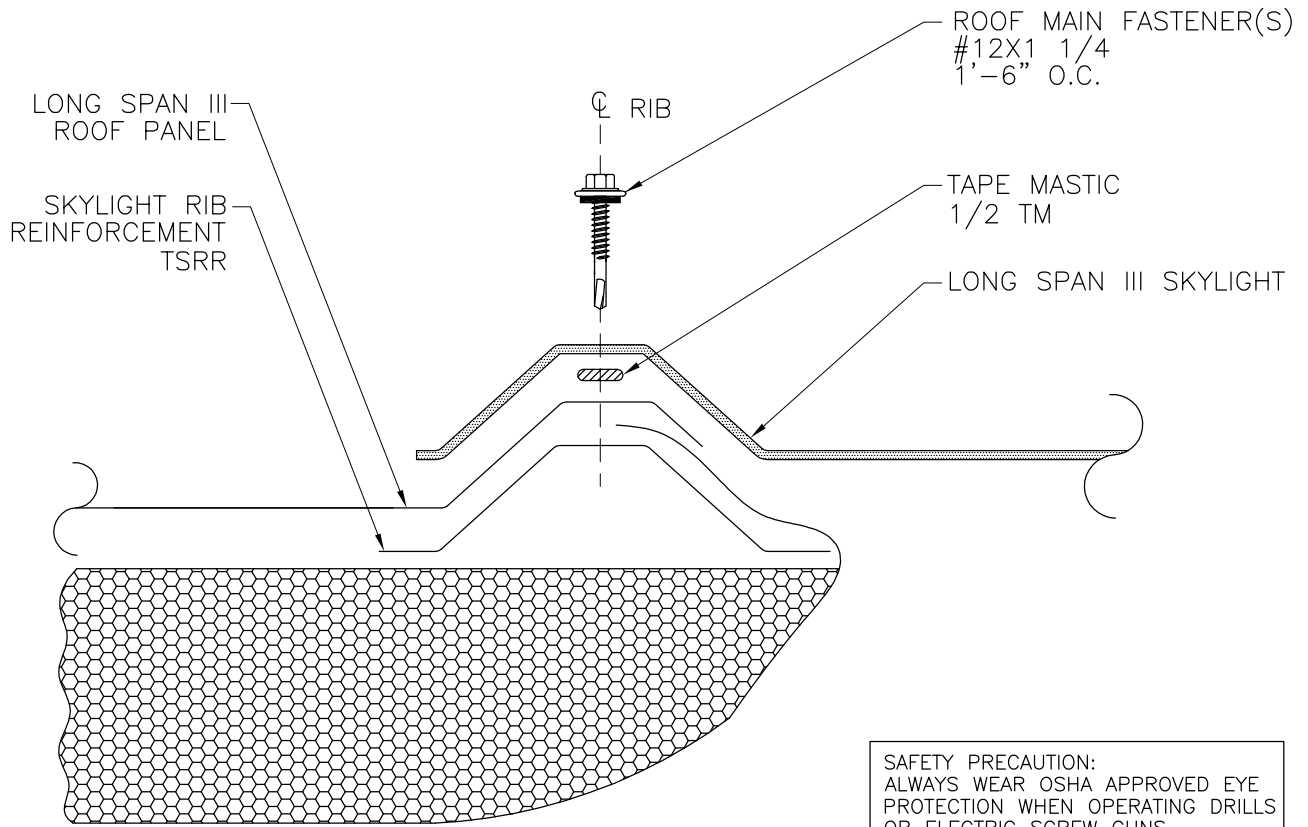
UL90 Approved "Panel to Skylight" Connection at Sidelap
 Long Span III Roof
 SK22A/BA



[Download the DWG file by clicking here.](#)

[To Section Index](#)

UL90 Approved "Skylight to Panel" Connection at Sidelap
 Long Span III Roof
 SK22/BA



SAFETY PRECAUTION:
 ALWAYS WEAR OSHA APPROVED EYE
 PROTECTION WHEN OPERATING DRILLS
 OR ELECTRIC SCREW GUNS.

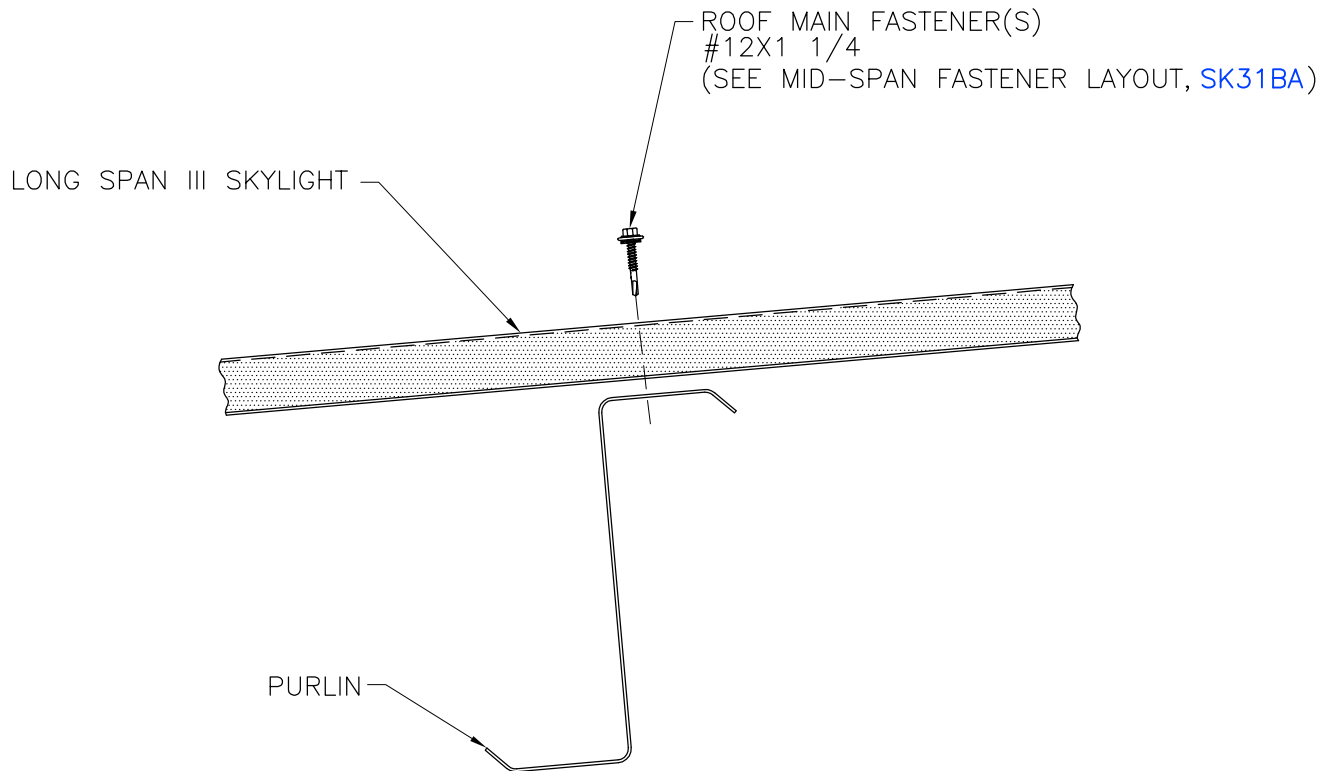
UL90 APPROVED "SKYLIGHT TO PANEL" CONNECTION AT SIDELAP
 LONG SPAN III ROOF

SK22
BA

[Download the DWG file by clicking here.](#)

[To Section Index](#)

Skylight Attachment at Intermediate Purlin (Detail "B")
Long Span III Roof
SK26/BA



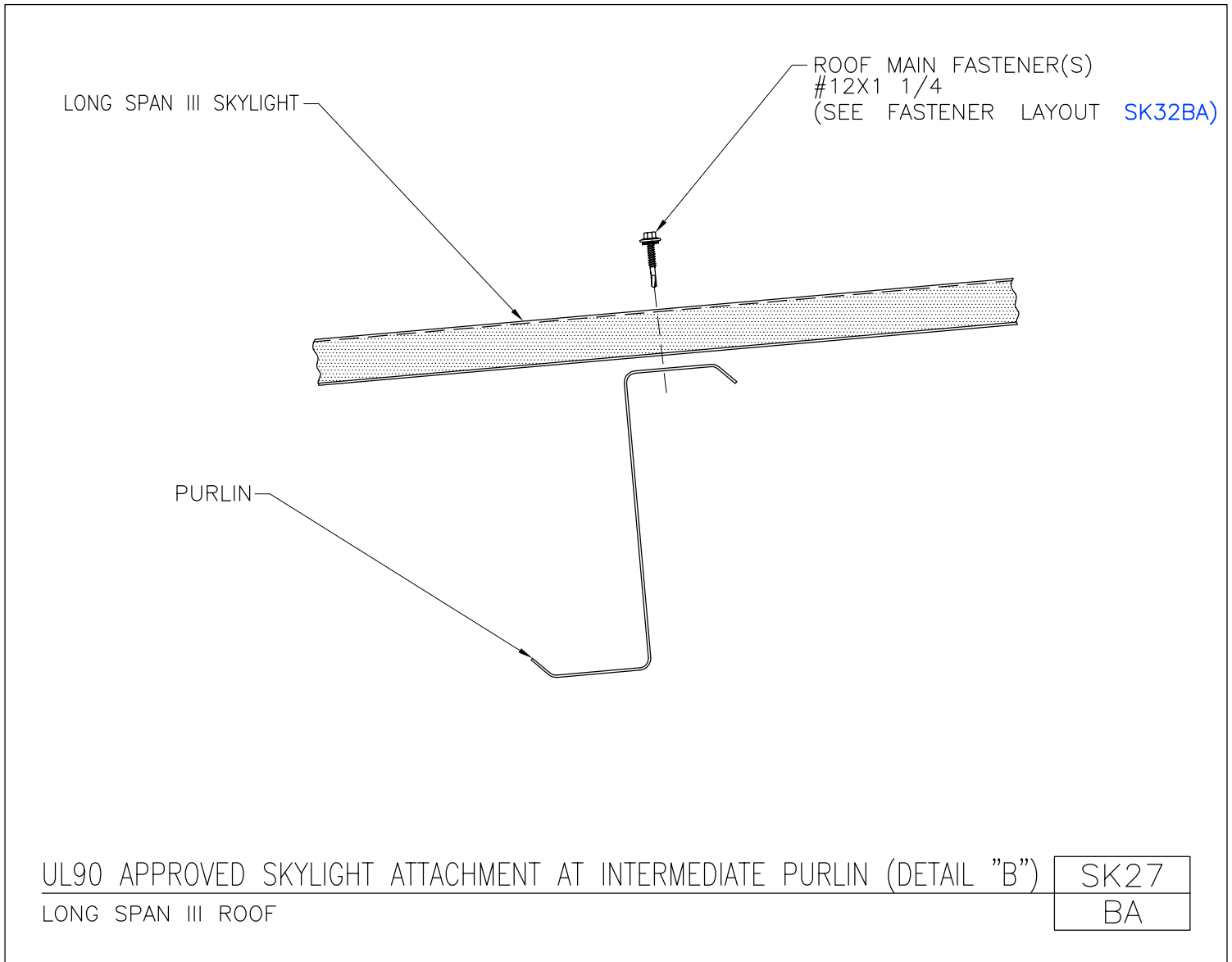
SKYLIGHT ATTACHMENT AT INTERMEDIATE PURLIN (DETAIL "B")
LONG SPAN III ROOF

SK26
BA

[Download the DWG file by clicking here.](#)

[To Section Index](#)

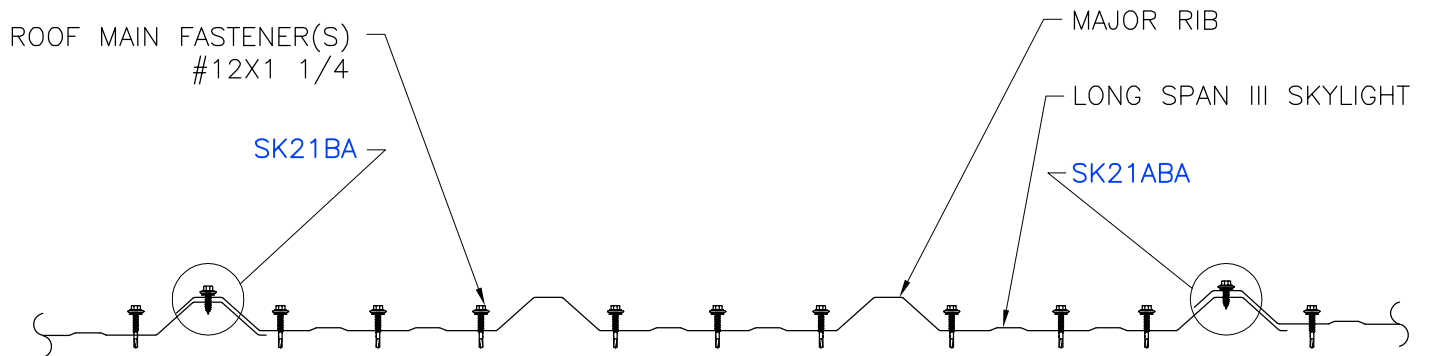
UL90 Approved Skylight Attachment at Intermediate Purlin (Detail "B")
Long Span III Roof
SK27/BA



[Download the DWG file by clicking here.](#)

[To Section Index](#)

Skylight Fastener Layout
Long Span III Roof
SK31/BA



CRITICAL NOTE:

USE EXTREME CAUTION WHEN INSTALLING FASTENERS INTO THE FIBERGLASS SKYLIGHT.
OVERTORQUING FASTENERS COULD RESULT IN SKYLIGHT FRACTURE.

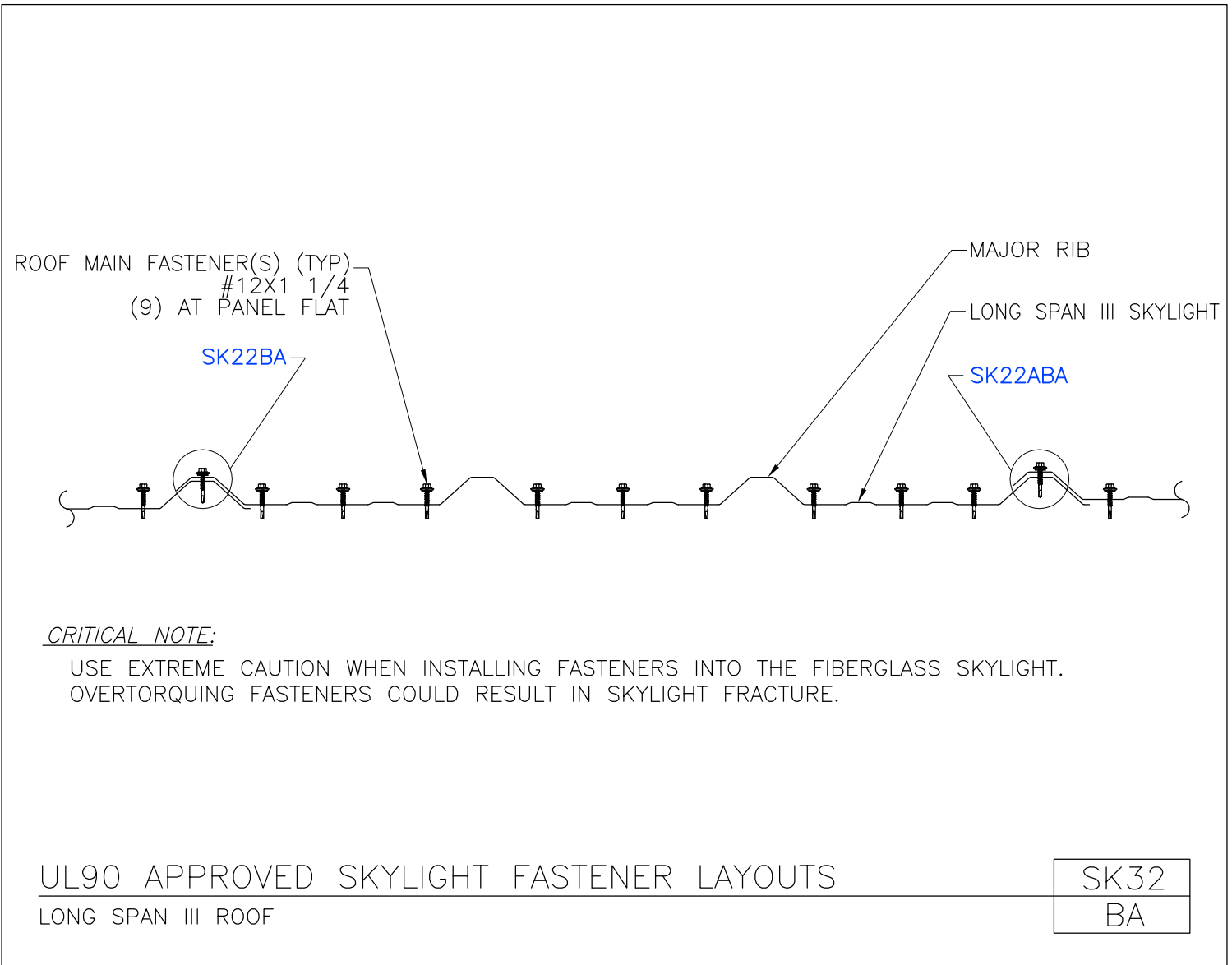
SKYLIGHT FASTENER LAYOUTS
LONG SPAN III ROOF

SK31
BA

[Download the DWG file by clicking here.](#)

[To Section Index](#)

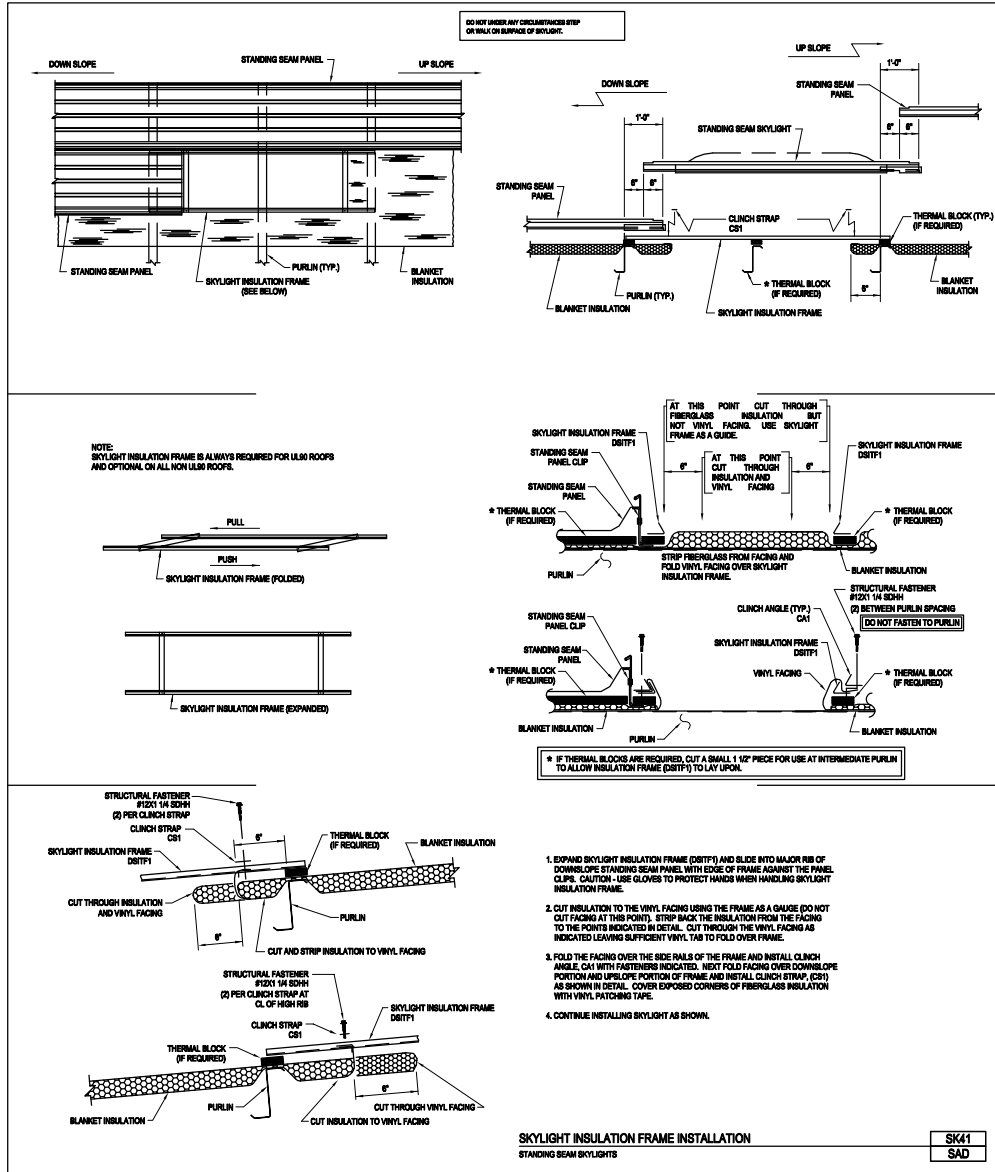
UL90 Approved Skylight Fastener Layout
Long Span III Roof
SK32/BA



[Download the DWG file by clicking here.](#)

[To Section Index](#)

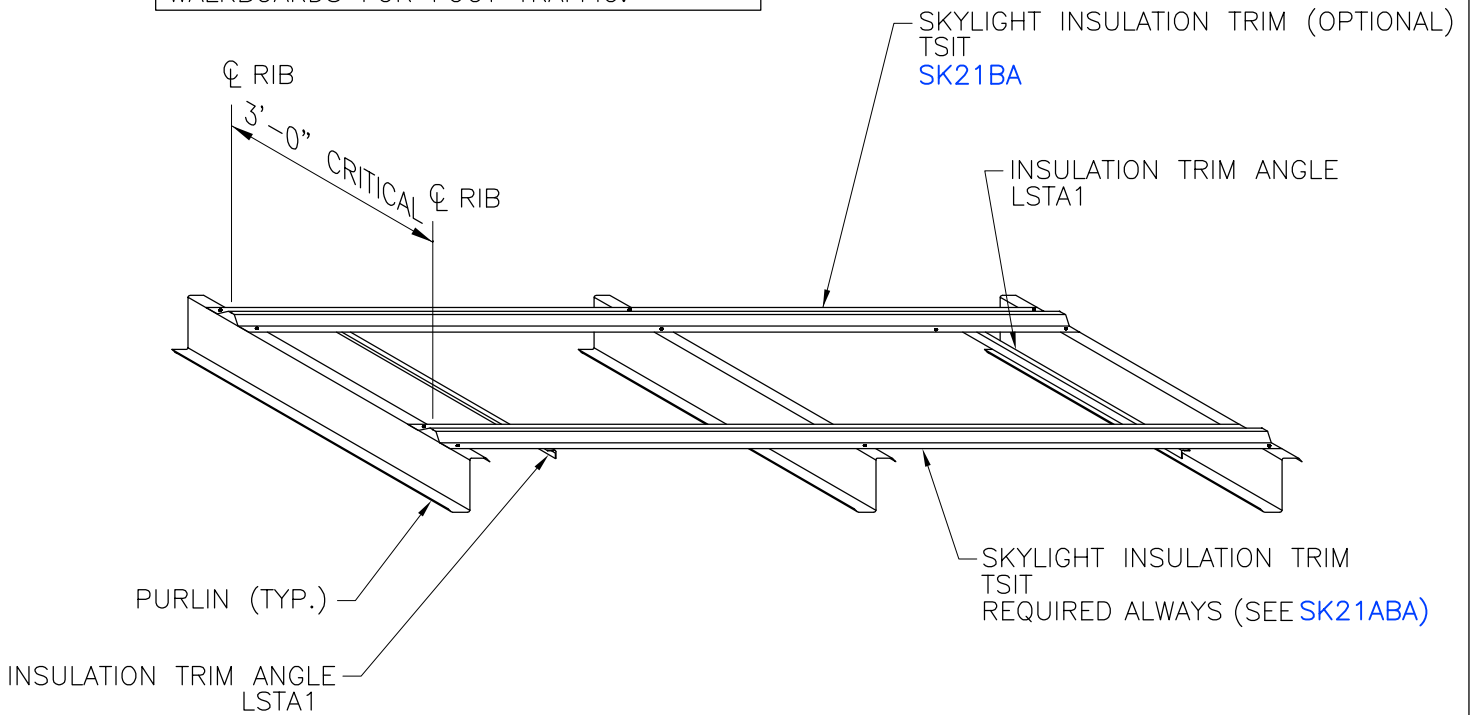
Skylight Insulation Frame Installation
 Standing Seam Skylights
 SK41/SAD



[Download the DWG file by clicking here.](#)

Skylight Insulation Trim Lyout
Long Span III Roof
SK51/BA

SAFETY PRECAUTION:
DO NOT STAND OR WALK ON FIBERGLASS
SKYLIGHT. USE PROPERLY LOCATED
WALKBOARDS FOR FOOT TRAFFIC.



PANELS AND INSULATION
OMITTED FOR CLARITY.

SKYLIGHT INSULATION TRIM LAYOUT
LONG SPAN III ROOF

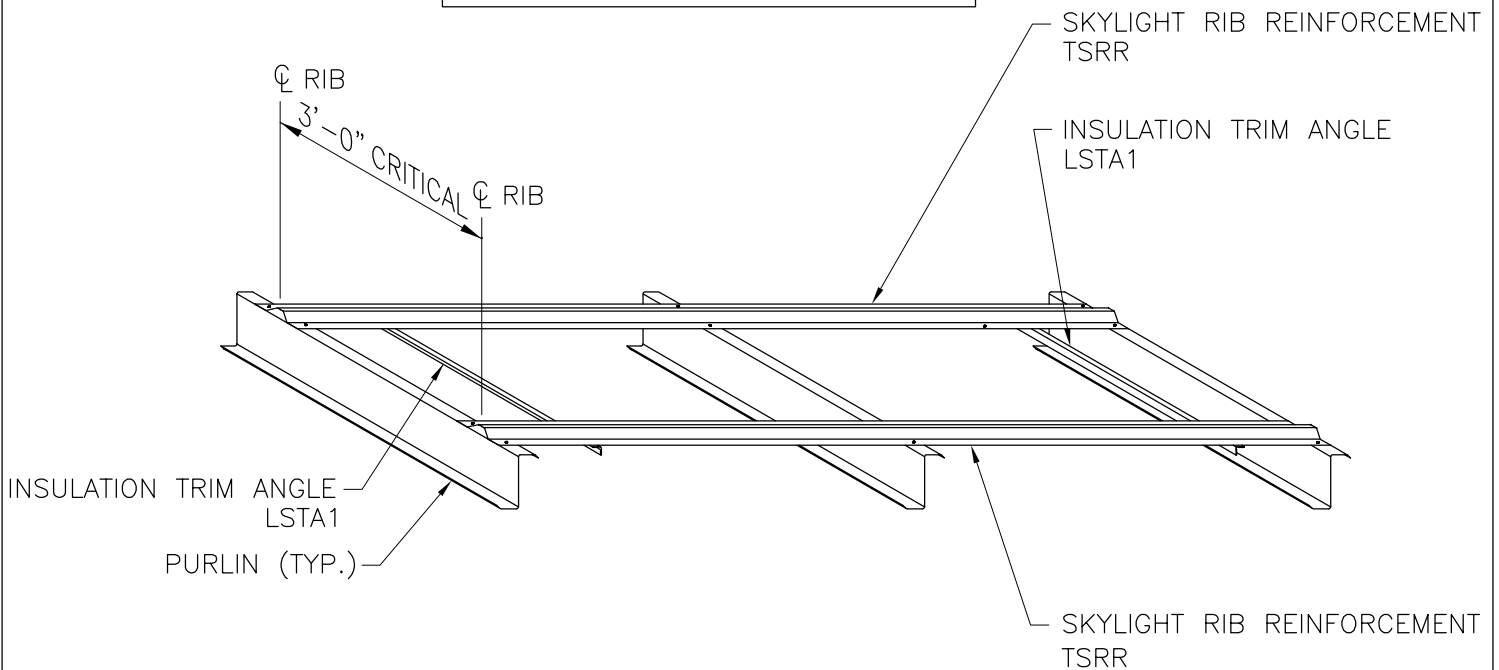
SK51
BA

[Download the DWG file by clicking here.](#)

[To Section Index](#)

UL90 Approved Skylight Rib Reinforcement Layout
Long Span III Roof
SK52/BA

SAFETY PRECAUTION:
DO NOT STAND OR WALK ON FIBERGLASS SKYLIGHT. USE PROPERLY LOCATED WALKBOARDS FOR FOOT TRAFFIC.



PANELS AND INSULATION
OMITTED FOR CLARITY.

UL90 APPROVED SKYLIGHT RIB REINFORCEMENT LAYOUT
LONG SPAN III ROOF

SK52
BA

[Download the DWG file by clicking here.](#)

[To Section Index](#)

Skylight Notes
Long Span III Roof
SK91/BA

NOTES:

1. DO NOT STAND OR WALK ON FIBERGLASS SKYLIGHT. USE PROPERLY LOCATED WALKBOARDS FOR FOOT TRAFFIC.
2. COVER EXPOSED EDGES OF INSULATION WITH VINYL PATCHING TAPE.
3. TRIM ANGLE LSTA1 AND "SKYLIGHT TO PANEL" SIDELAP INSULATION TRIM TSIT NOT REQUIRED ON BUILDINGS WITHOUT INSULATION.
4. SKYLIGHT INSULATION TRIM TSIT MAY REQUIRE FIELD TRIMMING.
5. DO NOT LAP SKYLIGHTS END TO END OR SIDE BY SIDE.
6. DO NOT INSTALL ADJACENT TO THE EAVE, RAKE OR RIDGE.
7. A METAL PANEL IS REQUIRED A MINIMUM OF TWO (2) PURLIN SPACINGS BETWEEN ENDS OF MULTIPLE SKYLIGHTS.
8. PRE-DRILL ALL FASTENER HOLES BEFORE INSTALLATION.

SKYLIGHT NOTES
LONG SPAN III ROOF

SK91
BA

[Download the DWG file by clicking here.](#)

[To Section Index](#)

UL90 Approved Skylight Notes
Long Span III Roof
SK92/BA

DETAILS SHOWN ARE FOR UL CLASS 90 RATED SKYLIGHT INSTALLATION ONLY.
SEE STANDARD SKYLIGHT INSTALLATION DETAILS.

NOTES:

1. DO NOT STAND OR WALK ON FIBERGLASS SKYLIGHT. USE PROPERLY LOCATED WALKBOARDS FOR FOOT TRAFFIC.
2. COVER EXPOSED EDGES OF INSULATION WITH VINYL PATCHING TAPE.
3. TRIM ANGLE LSTA1 NOT REQUIRED ON BUILDINGS WITHOUT INSULATION.
4. SKYLIGHT RIB REINFORCEMENT TSRR MAY REQUIRE FIELD TRIMMING.
5. DO NOT LAP SKYLIGHTS END TO END OR SIDE BY SIDE.
6. DO NOT INSTALL ADJACENT TO THE EAVE, RAKE OR RIDGE.
7. A METAL PANEL IS REQUIRED A MINIMUM OF TWO (2) PURLIN SPACINGS BETWEEN ENDS OF MULTIPLE SKYLIGHTS.
8. PRE-DRILL ALL FASTENER HOLES BEFORE INSTALLATION.

UL90 APPROVED SKYLIGHT NOTES
LONG SPAN III ROOF

SK92
BA

[Download the DWG file by clicking here.](#)

[To Section Index](#)