

Index

[BA01/AA, Base Angle Detail](#)

[BA01/AB, Base Angle Detail](#)

[BA02/AB, Section at Base Angle, A3P, AVP, or L3P Walls](#)

[BA03A/AB, Section at Base Girt \(Wall Panel Flush to Floor\), A3P, AVP, or L3P Walls](#)

[BA03/AB, Section at Base Girt, A3P, AVP, or L3P Walls](#)

[BA04A/AB, Section at Base Channel \(Wall Panel Flush to Floor\), A3P, AVP, or L3P Walls](#)

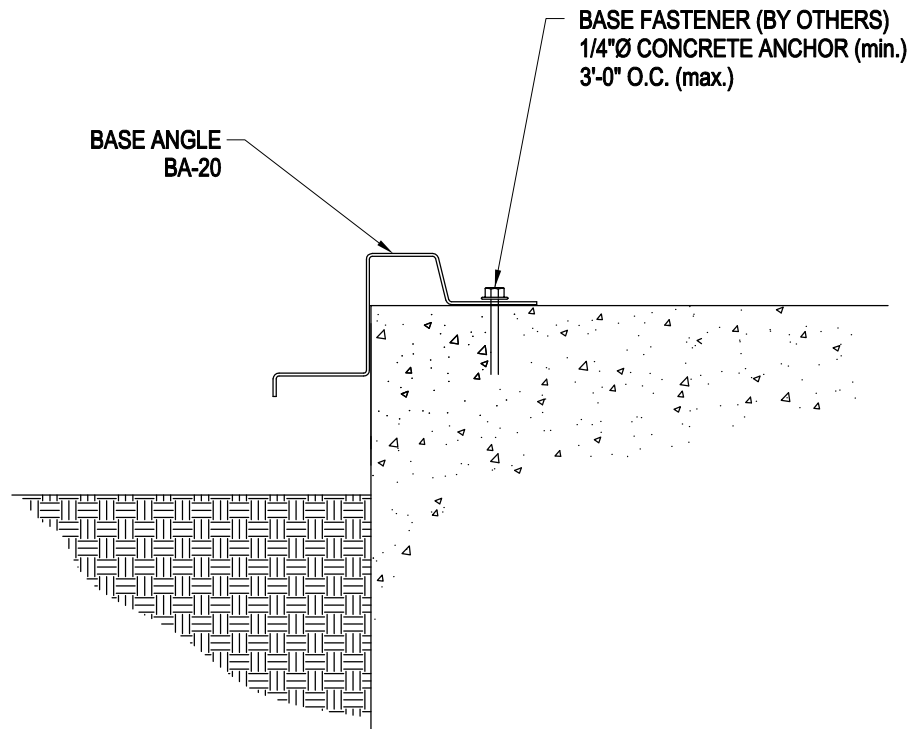
[BA04/AB, Section at Base Channel, A3P, AVP, or L3P Walls](#)

[BA05A/AB, Section at Base w/ GA-2 \(Wall Panel Flush to Floor\), A3P, AVP, or L3P Walls](#)

[BA05/AB, Section at Base w/ GA-2, A3P, AVP, or L3P Walls](#)

Base Angle Detail

BA01/AA



**BASE ANGLE DETAIL**

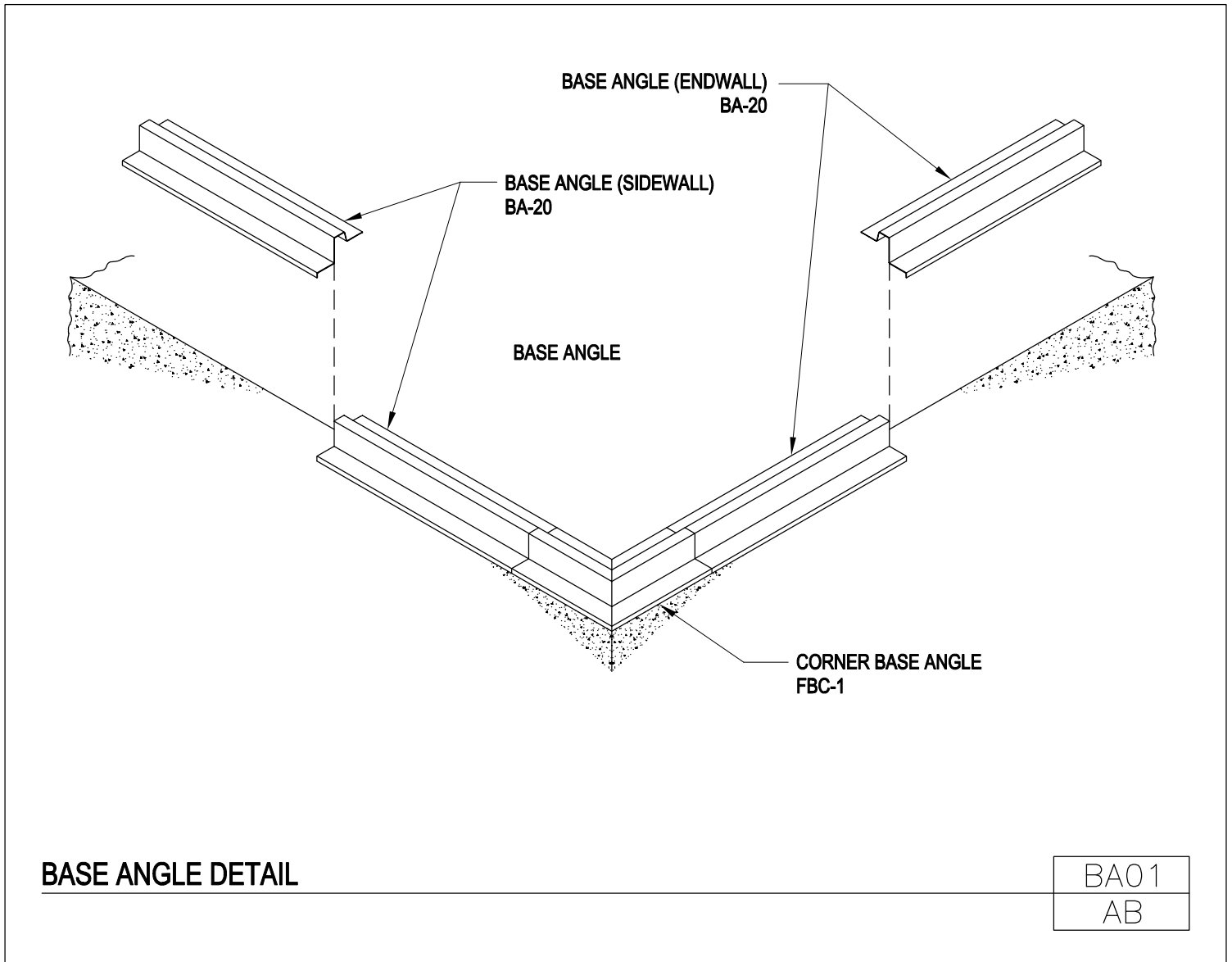
<b>BA01</b>
<b>AA</b>

[Download the DWG file by clicking here.](#)

[To Section Index](#)

## Base Angle Detail

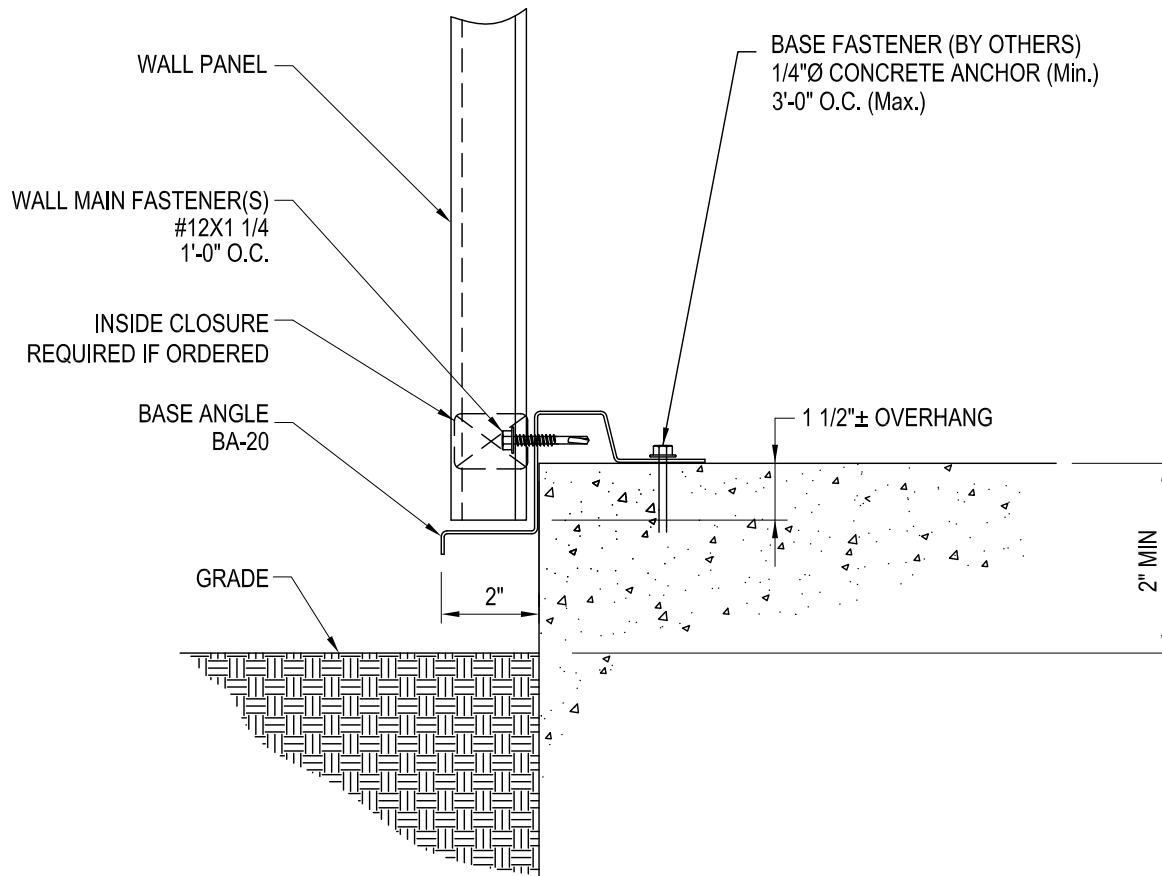
BA01/AB



[Download the DWG file by clicking here.](#)

[To Section Index](#)

Section at Base Angle  
Architectural III, Architectural "V" Rib or Long Span III Walls  
BA02/AB



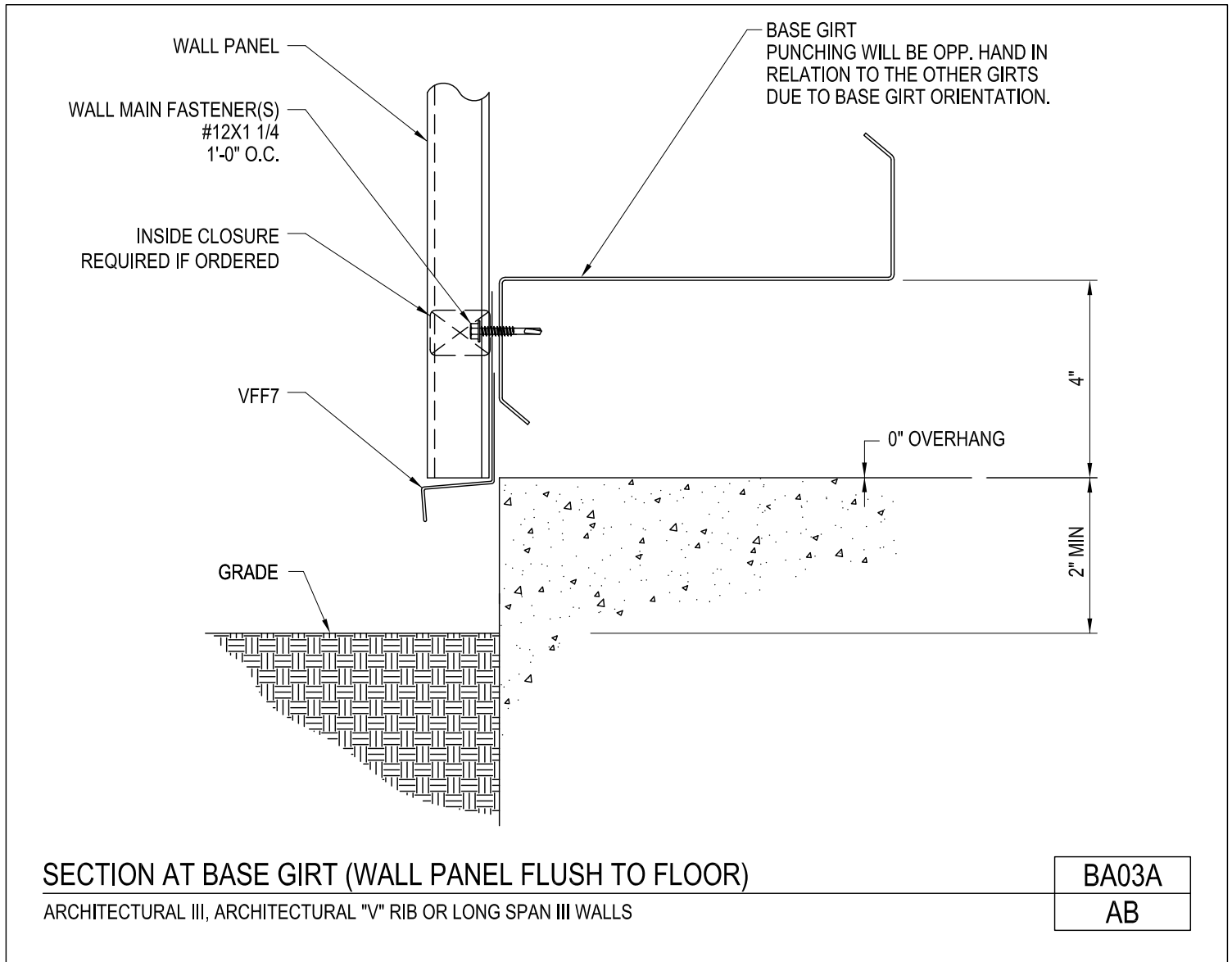
**SECTION AT BASE ANGLE**  
ARCHITECTURAL III, ARCHITECTURAL "V" RIB OR LONG SPAN III WALLS

BA02
AB

[Download the DWG file by clicking here.](#)

[To Section Index](#)

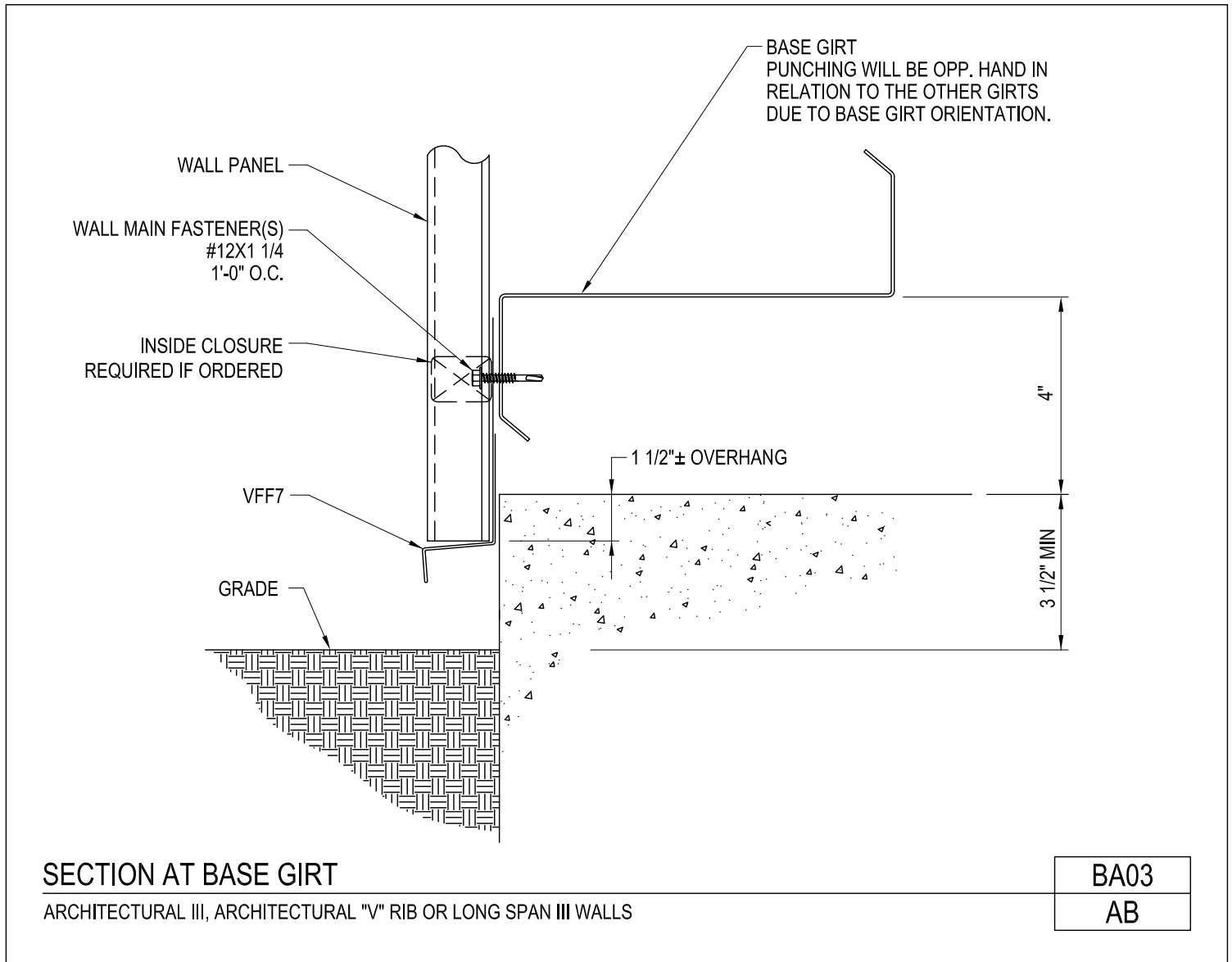
Section at Base Girt (Wall Panel Flush to Floor)  
 Architectural III, Architectural "V" Rib or Long Span III Walls  
 BA03A/AB



[Download the DWG file by clicking here.](#)

[To Section Index](#)

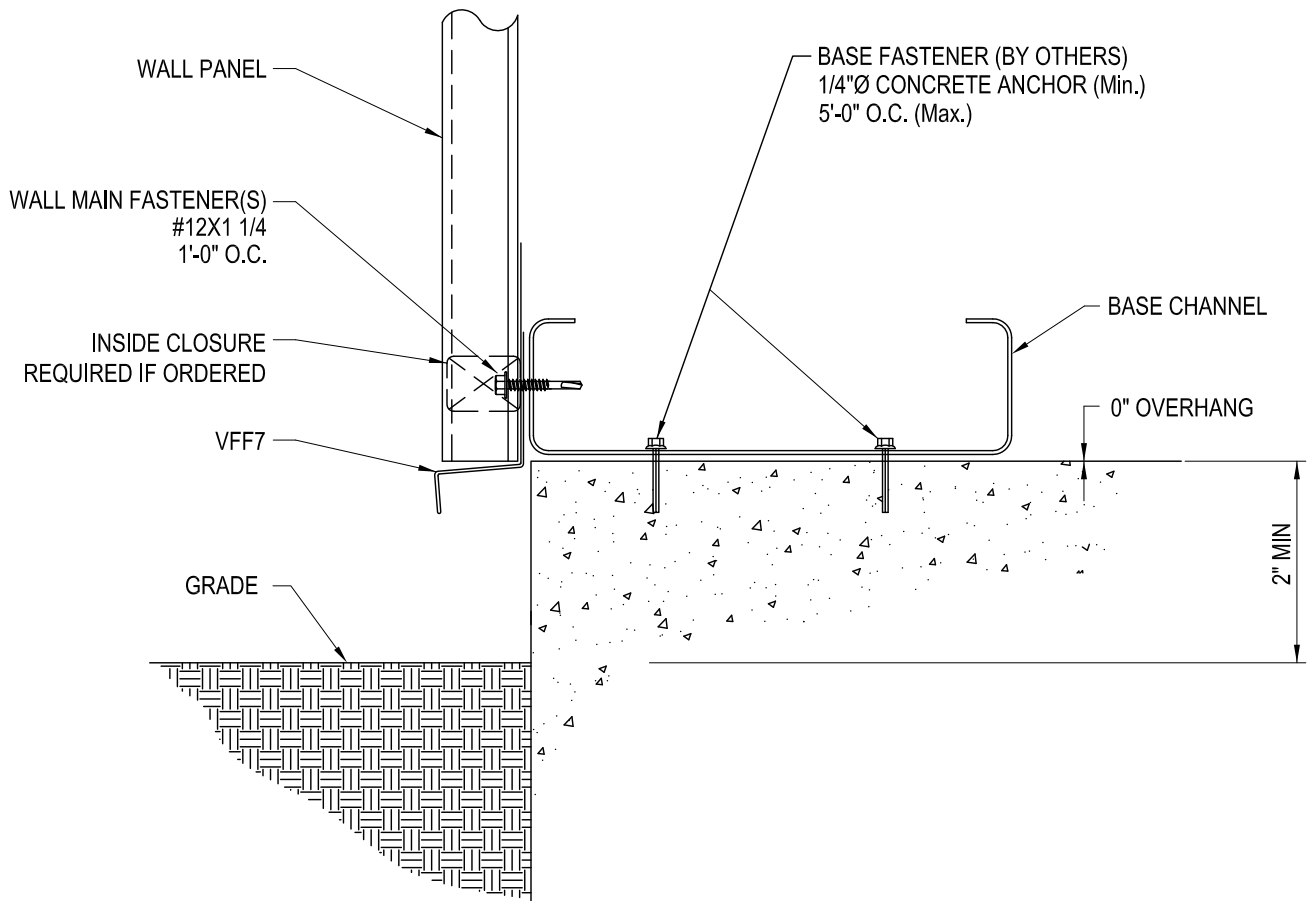
Section at Base Girt  
Architectural III, Architectural "V" Rib or Long Span III Walls  
BA03/AB



[Download the DWG file by clicking here.](#)

[To Section Index](#)

Section at Base Channel (Wall Panel Flush to Floor)  
 Architectural III, Architectural "V" Rib or Long Span III Walls  
 BA04A/AB



**SECTION AT BASE CHANNEL (WALL PANEL FLUSH TO FLOOR)**

ARCHITECTURAL III, ARCHITECTURAL "V" RIB OR LONG SPAN III WALLS

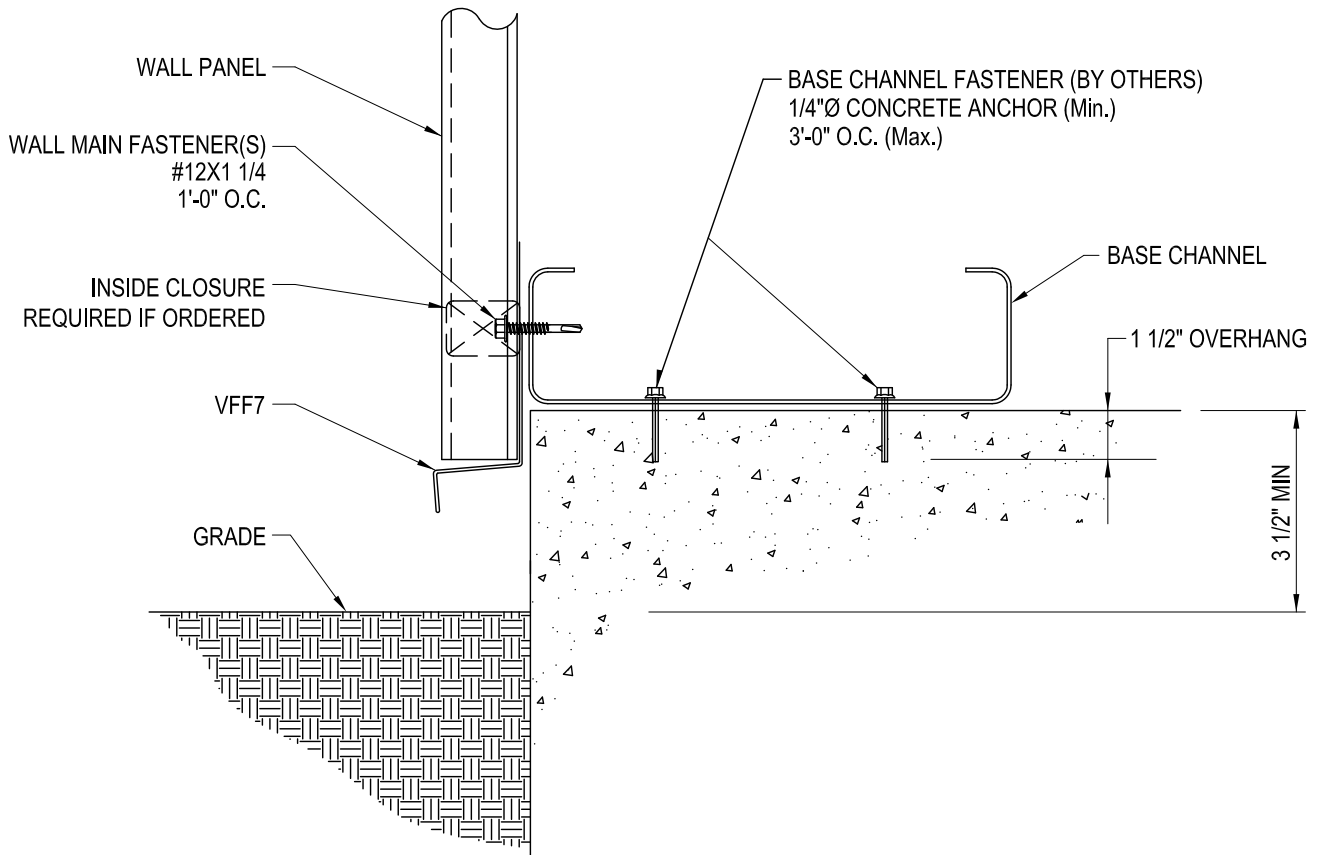
BA04A

AB

[Download the DWG file by clicking here.](#)

[To Section Index](#)

Section at Base Channel  
Architectural III, Architectural "V" Rib or Long Span III Walls  
BA04/AB



**SECTION AT BASE CHANNEL**

ARCHITECTURAL III, ARCHITECTURAL "V" RIB OR LONG SPAN III WALLS

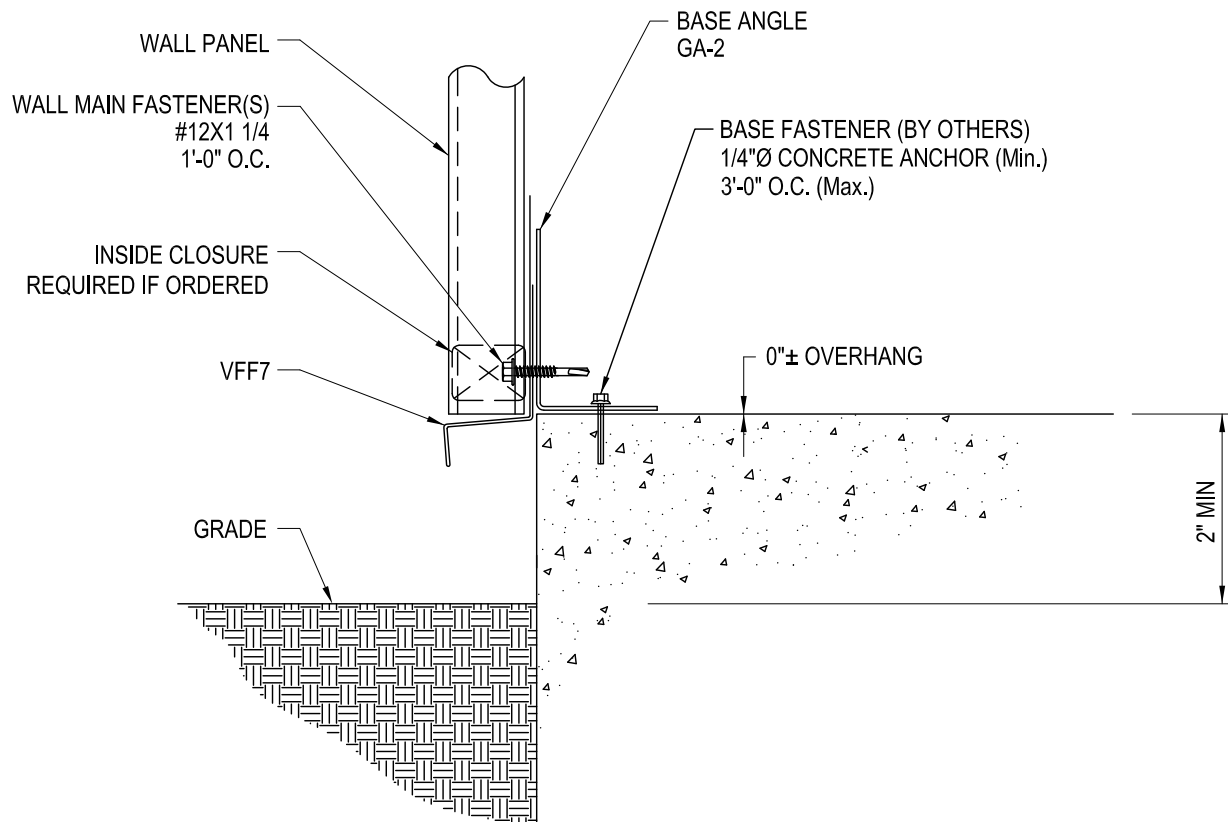
BA04
AB

[Download the DWG file by clicking here.](#)

[To Section Index](#)



Section at Base w/ GA-2 (Wall Panel Flush to Floor)  
Architectural III, Architectural "V" Rib or Long Span III Walls  
BA05A/AB



**SECTION AT BASE w/GA-2 (WALL PANEL FLUSH TO FLOOR)**

ARCHITECTURAL III, ARCHITECTURAL "V" RIB OR LONG SPAN III WALLS

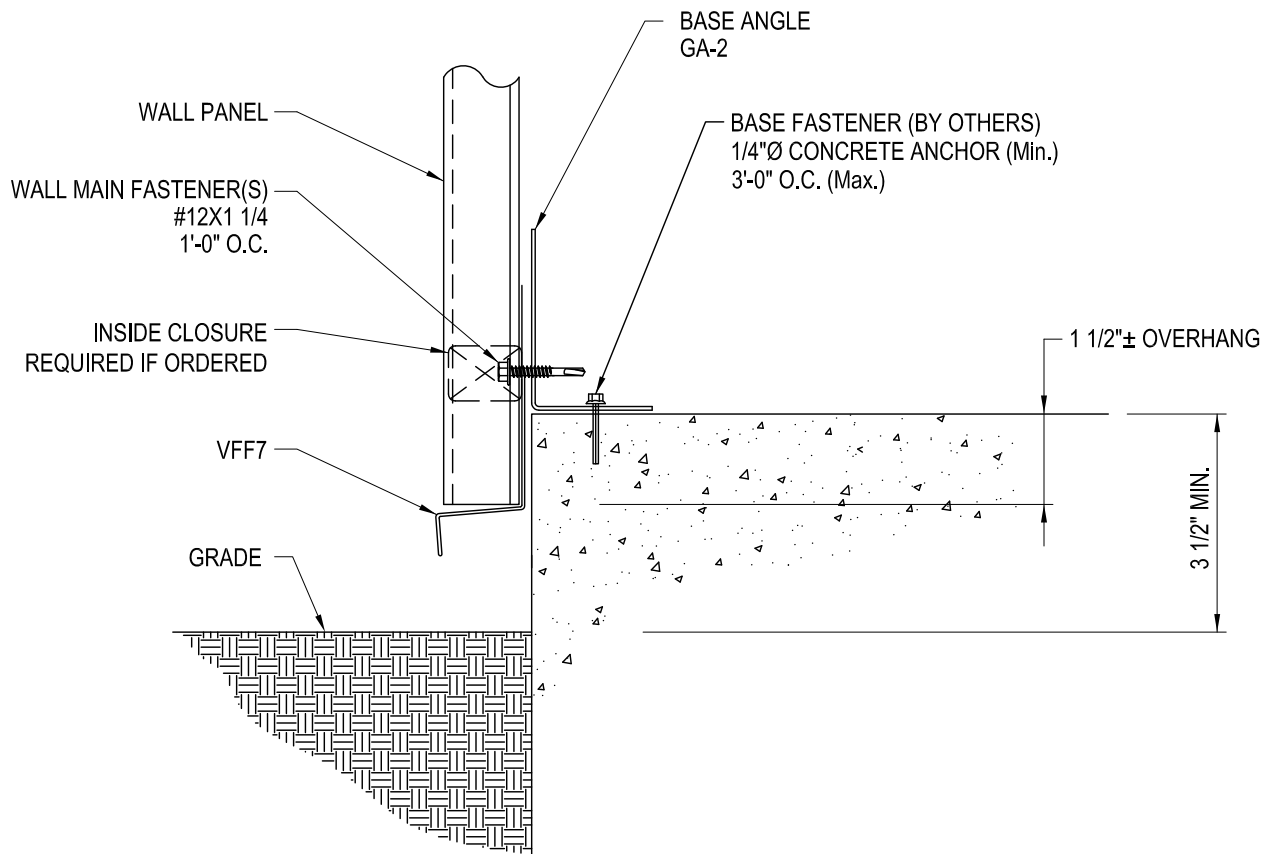
BA05A

AB

[Download the DWG file by clicking here.](#)

[To Section Index](#)

Section at Base w/ GA-2  
 Architectural III, Architectural "V" Rib or Long Span III Walls  
 BA05/AB



**SECTION AT BASE W/ GA-2**  
 ARCHITECTURAL III, ARCHITECTURAL "V" RIB OR LONG SPAN III WALLS

BA05
AB

[Download the DWG file by clicking here.](#)

[To Section Index](#)