

Index

[BR17/AA, Frame Brace, For Bypass Purlins/Girts](#)

[LB01/AA, Key Roof Framing Plan for Long Bays, 30' to 40' Bays w/ Intermediate Columns](#)

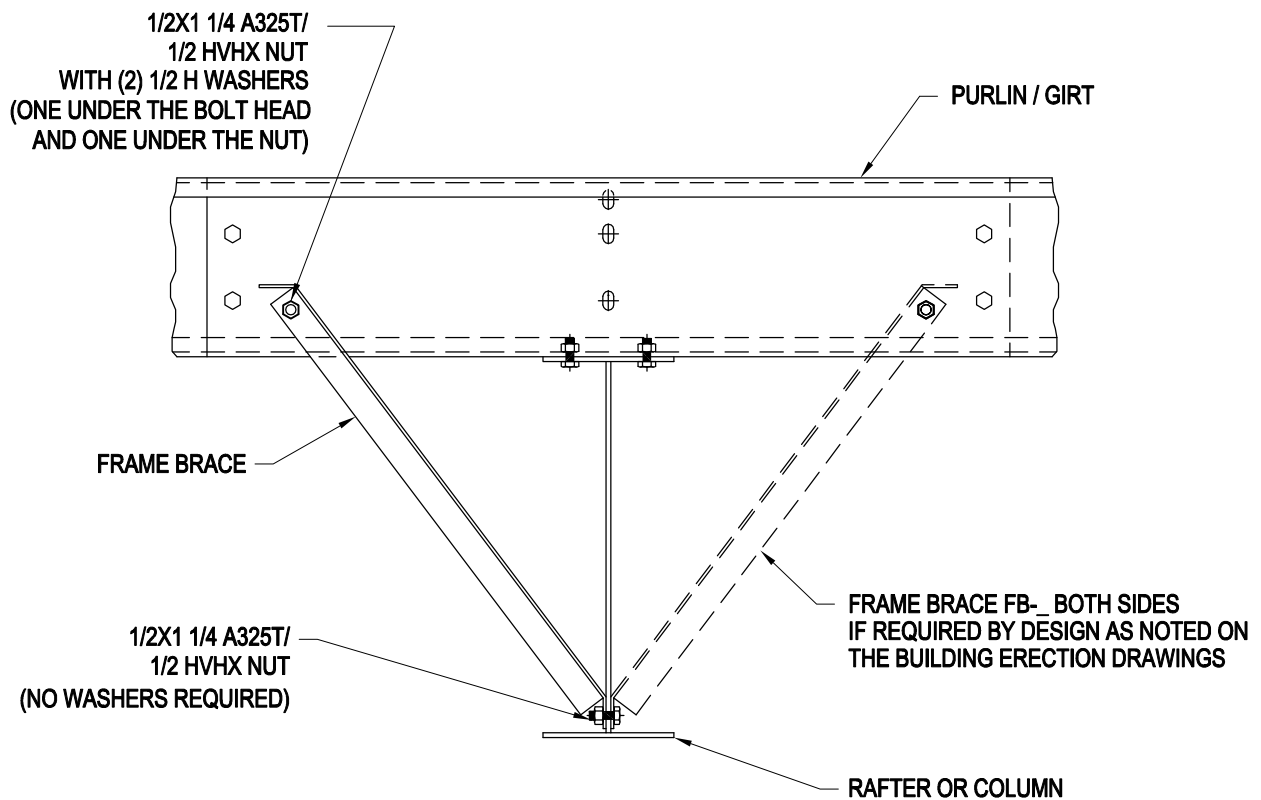
[LB02/AA, Soldier Column Detail for Long Bay Buildings, 30' to 40' Bays](#)

[LB03/AA, Brace Angle and Rafter Intersection Detail \(Long Bay Buildings\), 40' or 50' Bays w/ Intermediate S.W. Columns](#)

[LB05/AA, Detail at Bridging Connection, 12" Zee Purlin](#)

Frame Brace
For Bypass Purlins/Girts
BR17/AA

**SAFETY PRECAUTION:
WORKERS SHOULD BE TRAINED IN
THE PROPER ERECTION PROCEDURES
FOR ALL JOBS.**



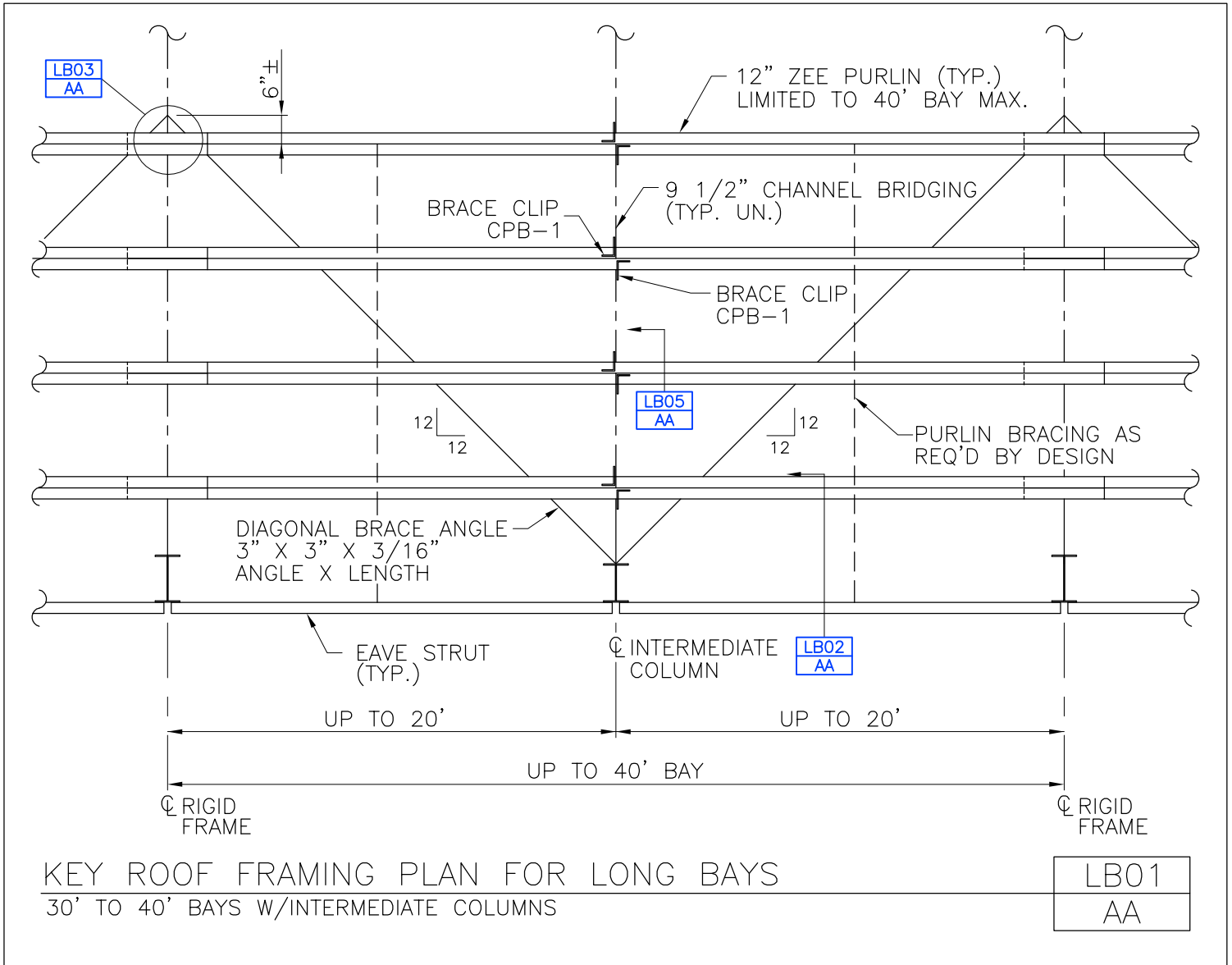
FRAME BRACE
FOR BYPASS PURLINS / GIRTS

BR17
AA

[Download the DWG file by clicking here.](#)

[To Section Index](#)

Key Roof Framing Plan For Long Bays
 30' to 40' Bays w/ Intermediate Columns
 LB01/AA



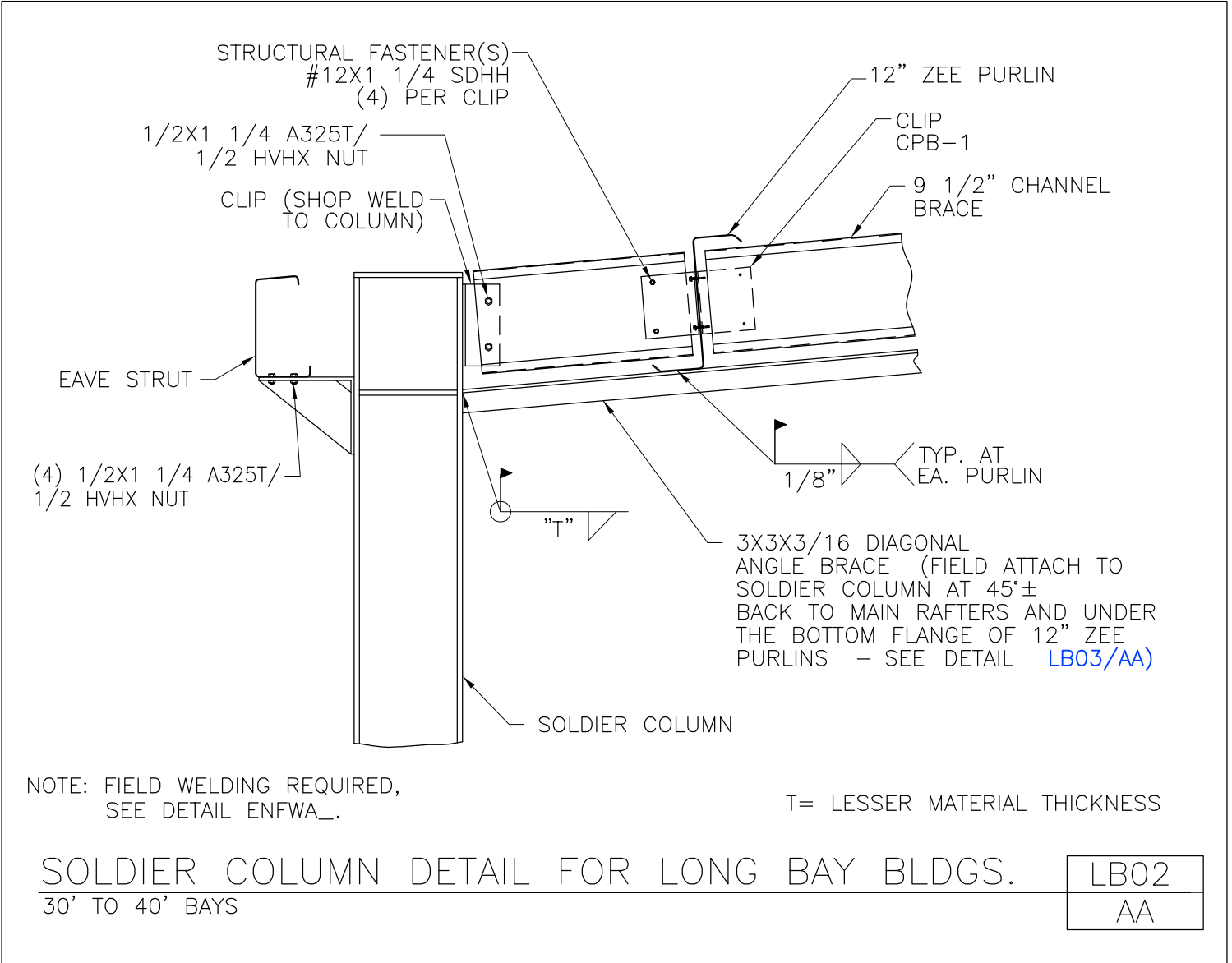
[Download the DWG file by clicking here.](#)

[To Section Index](#)

Soldier Column Detail For Long Bay Buildings

30' to 40' Bays

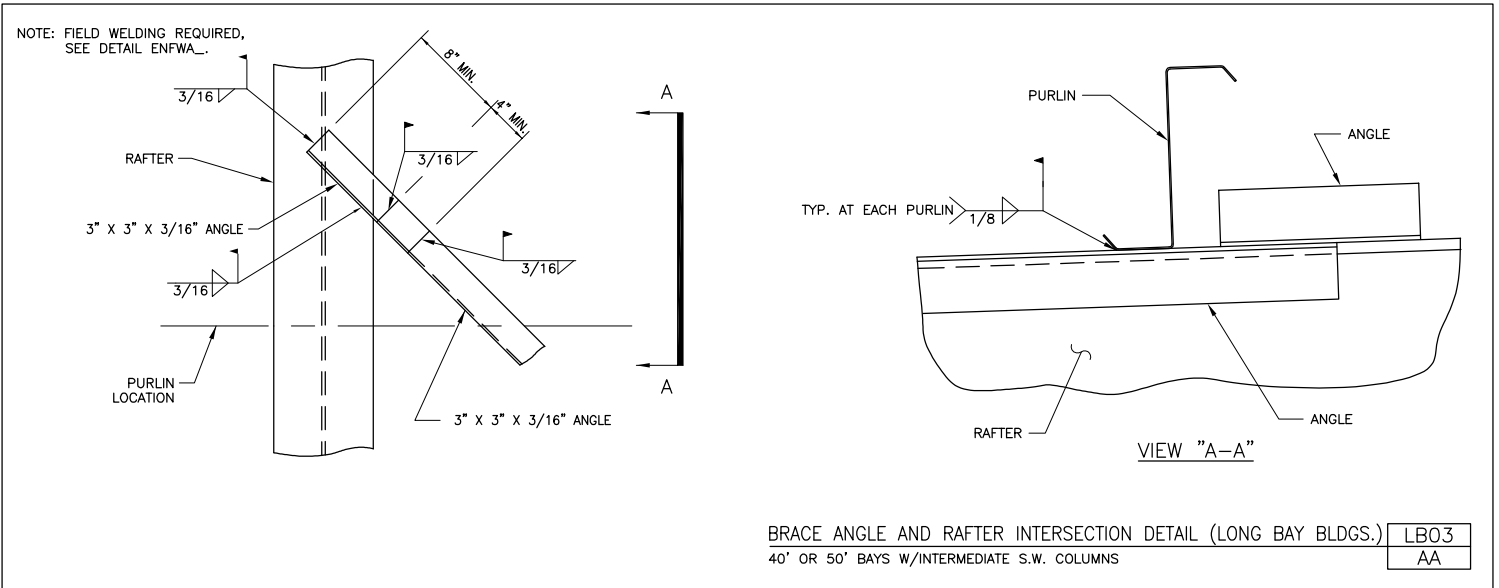
LB02/AA



[Download the DWG file by clicking here.](#)

[To Section Index](#)

Brace Angle and Rafter Intersection Detail (Long Bay Buildings)
40' or 50' Bays w/ Intermediate S.W. Columns
LB03/AA



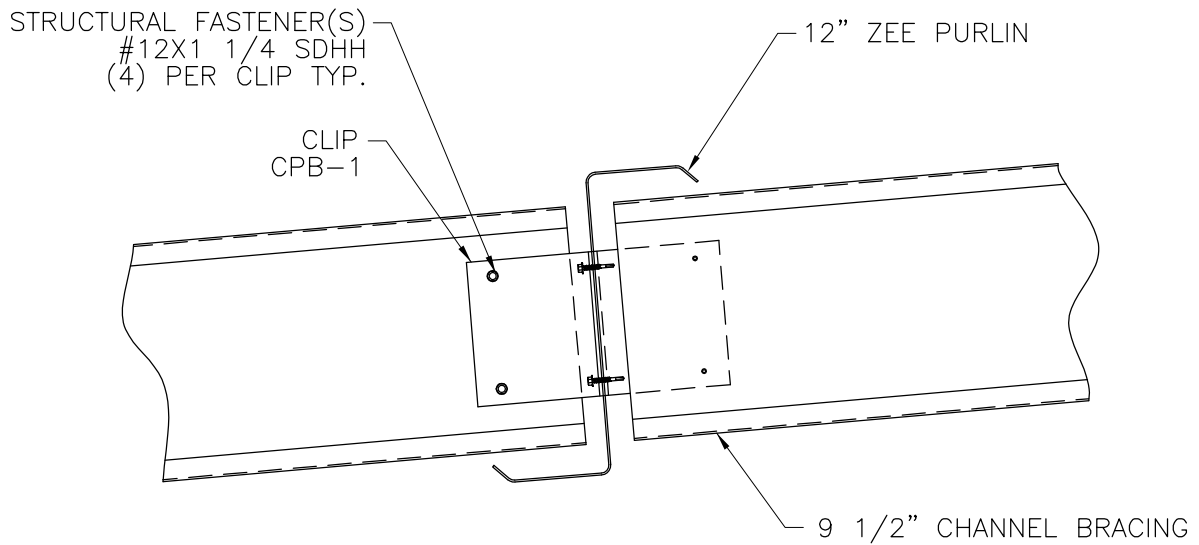
[Download the DWG file by clicking here.](#)

[To Section Index](#)

Detail at Bridging Connection

12" Zee Purlin

LB05/AA



DETAIL AT BRIDGING CONNECTION

12" ZEE PURLIN

LB05

AA

[Download the DWG file by clicking here.](#)

[To Section Index](#)