

Index

[RF32PB/AA, Eave Strut Connection \(Cold Formed\), Cee Rafter](#)

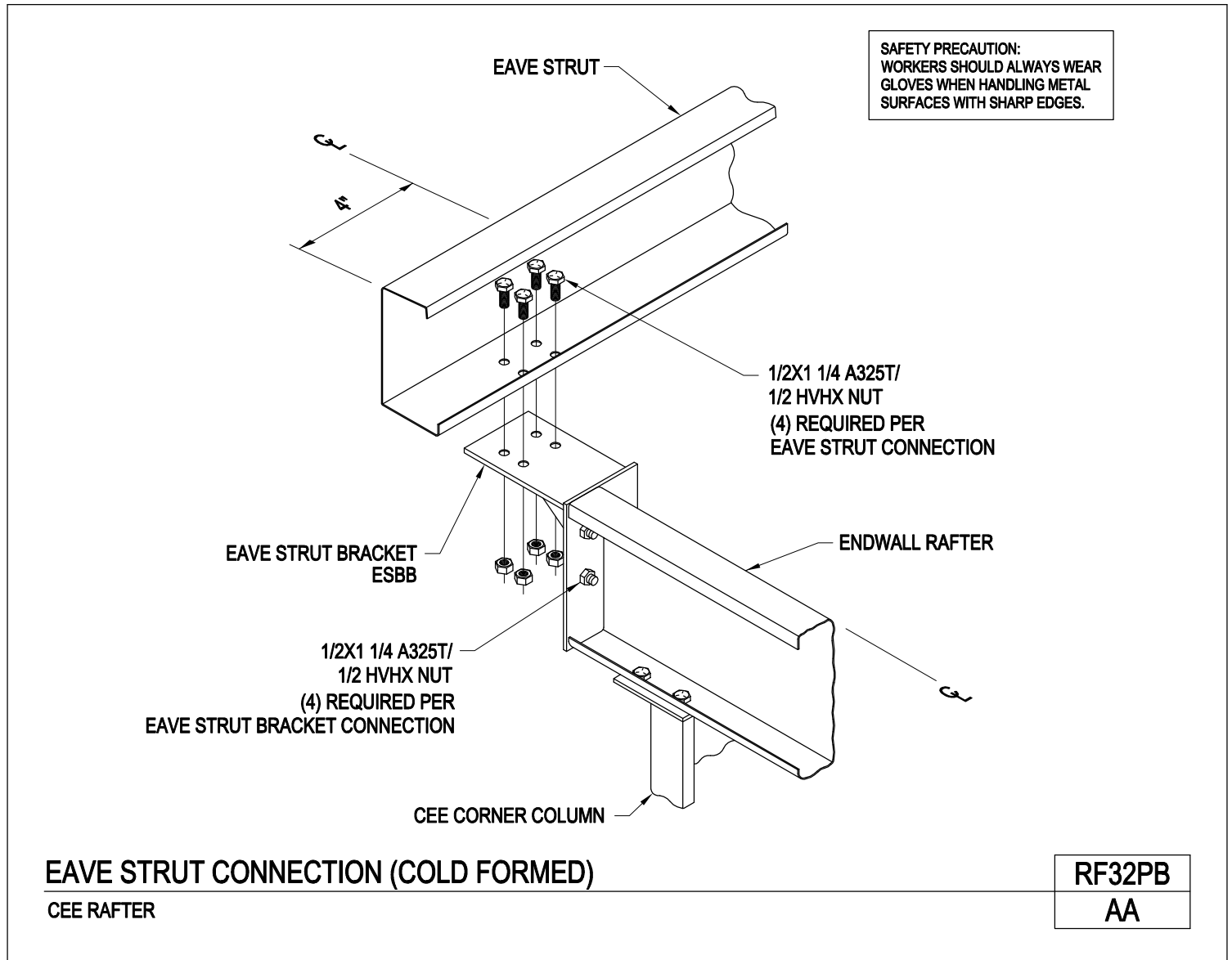
[RF33/AA, Eave Strut Clip Attachment \(Cold Formed\), 8" or 9 1/2" Eave Struts](#)

[RF34/AA, Eave Strut Connection at Rotated Corner Column, Beam & Column Endwall - Rotated Hot Rolled Corner Column](#)

Eave Strut Connection (Cold Formed)

Cee Rafter

RF32PB/AA



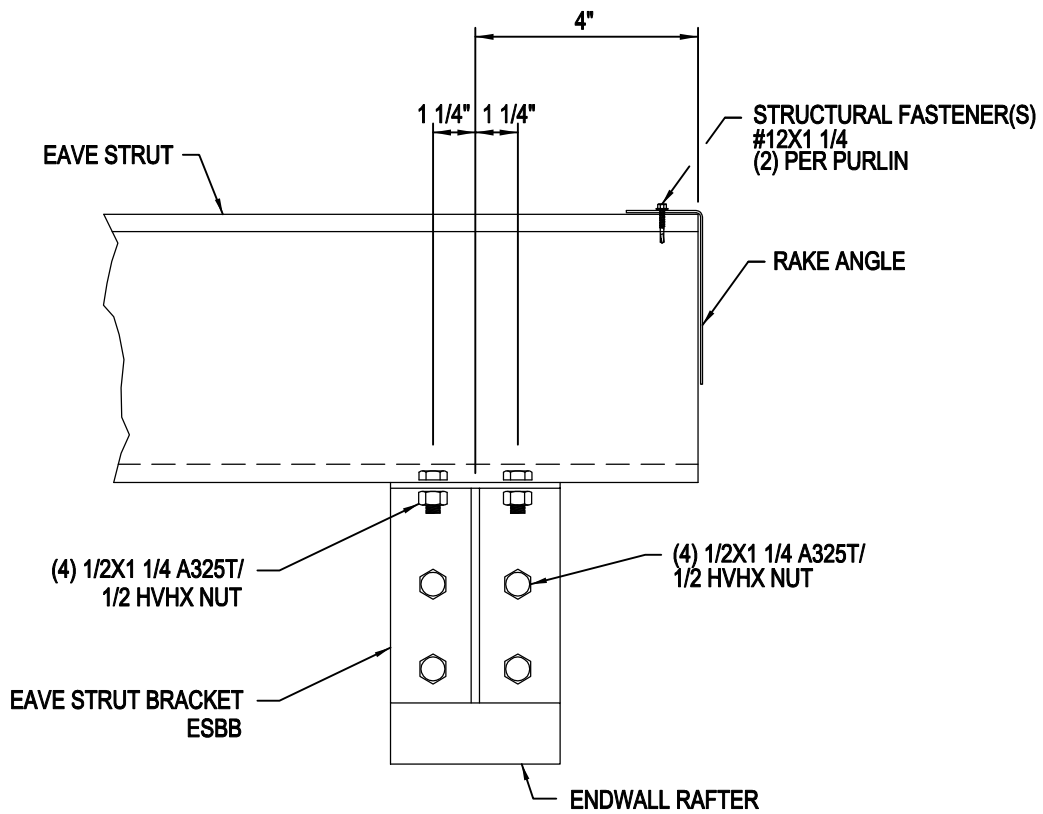
[Download the DWG file by clicking here.](#)

[To Section Index](#)

Eave Strut Clip Attachment (Cold Formed)

8" or 9 1/2" Eave Struts

RF33/AA



EAVE STRUT CLIP ATTACHMENT (COLD FORMED)

8" OR 9 1/2" EAVE STRUTS

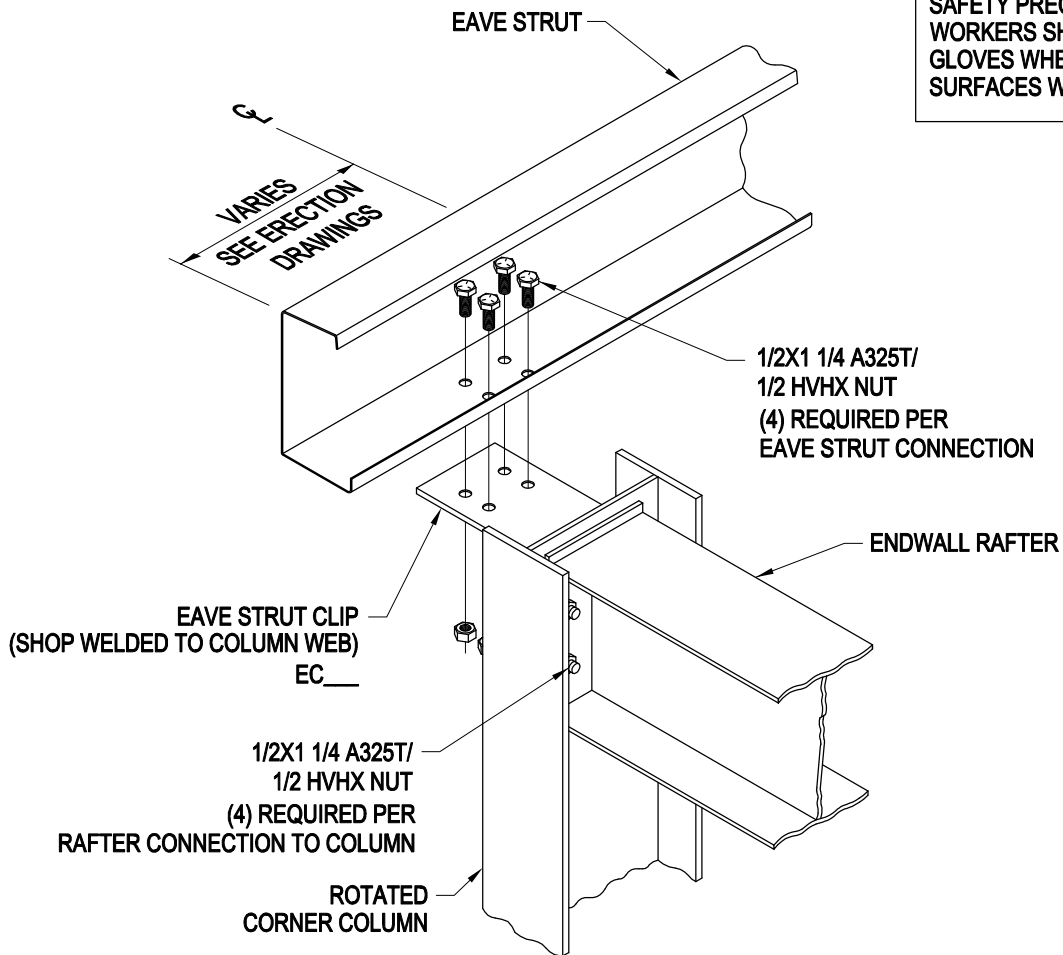
RF33

AA

[Download the DWG file by clicking here.](#)

[To Section Index](#)

Eave Strut Connection at Rotated Corner Column
 Beam & Column Endwall - Rotated Hot Rolled Corner Column
 RF34/AA



SAFETY PRECAUTION:
 WORKERS SHOULD ALWAYS WEAR
 GLOVES WHEN HANDLING METAL
 SURFACES WITH SHARP EDGES.

EAVE STRUT CONNECTION AT ROTATED CORNER COLUMN

BEAM & COLUMN ENDWALL - ROTATED HOT ROLLED CORNER COLUMN

RF34

AA

[Download the DWG file by clicking here.](#)

[To Section Index](#)