

## Index

[GE98/AA, Standard Erection Drawings - Mark Definitions, Detail Type](#)

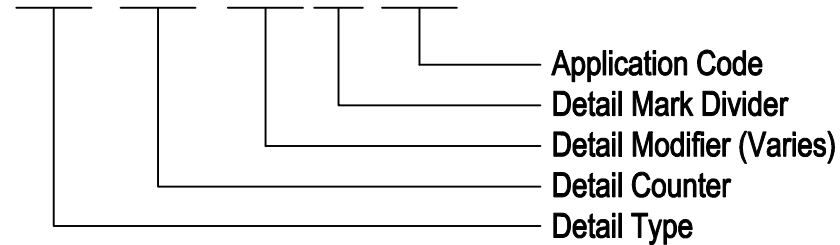
[GE99/AA, Standard Erection Drawings - Mark Definitions, Modifiers and Application Codes](#)

Standard Erection Drawings - Mark Definitions

Detail Type

GE98/AA

**WF 01 RR / AA**



Detail Type

AB - ANCHOR BOLT SECTIONS AND DETAILS  
BA - BASE SECTIONS AND DETAILS  
BJ - BAR JOIST SECTIONS AND DETAILS  
BP - BASE PLATE AND ANCHOR BOLTS SECTIONS AND DETAILS  
BR - BRACING SECTIONS AND DETAILS  
CB - CLEARBAY JOISTS  
CD - CRANE SECTIONS AND DETAILS  
CN - CANOPY SECTIONS AND DETAILS  
CR - ROOF CURB SECTIONS AND DETAILS  
EA - EAVE SECTIONS AND DETAILS  
EF - ENDWALL SECTIONS AND DETAILS  
EO - EAVE SECTION AT OVERHANG  
FL - FLASHING LAP DETAILS  
FP - PIPE FLASHING INSTALLATION DETAILS  
FS - SLOPED FACADE SECTIONS AND DETAILS  
FV - VERTICAL FACADE SECTIONS AND DETAILS  
GE - GENERAL ERECTION SECTIONS AND DETAILS  
GT - GUTTER AND DOWNSPOUT SECTIONS AND DETAILS  
HV - HIP AND VALLEY SECTIONS AND DETAILS  
IN - INSULATION SECTIONS AND DETAILS  
LB - LONG BAY DETAILS  
LP - LINER PANEL SECTIONS AND DETAILS  
LV - LOUVER SECTIONS AND DETAILS

MA - MASONRY APPLICATIONS  
MF - MAIN FRAMING SECTIONS AND DETAILS  
MP - ROOF AND WALL PANEL DIMENSIONS, PROPERTIES  
MZ - MEZZANINE SECTIONS AND DETAILS  
OF - FRAMING OPENING SECTIONS AND DETAILS (ROOF/WALL)  
OT - FRAMED OPENING TRIM SECTIONS AND DETAILS  
PA - PARAPET SECTIONS AND DETAILS  
PF - ROOF PLATFORM SECTIONS AND DETAILS  
RA - RAKE SECTIONS AND DETAILS  
RC - ROOF COVERING SECTIONS AND DETAILS  
RF - ROOF FRAMING SECTIONS AND DETAILS  
RR - ROOF FRAMING (ROOFING AND ARCHITECTURAL PRODUCTS) SECTIONS AND DETAILS  
RV - ROUND AND RIDGE VENT SECTIONS AND DETAILS  
SB - SPANDREL BEAM SECTIONS AND DETAILS  
SE - STANDARD ERECTION SECTIONS AND DETAILS  
SF - SIDEWALL FRAMING SECTIONS AND DETAILS  
SH - SPRINKLER PIPE HANGAR SECTIONS AND DETAILS  
SK - SKYLIGHT SECTIONS AND DETAILS  
WC - WALL COVERING SECTIONS AND DETAILS  
WD - WALKDOOR SECTIONS AND DETAILS  
WF - WALL FRAMING SECTIONS AND DETAILS  
WN - WINDOW SECTIONS AND DETAILS

**STANDARD ERECTION DRAWING - MARK DEFINITIONS**

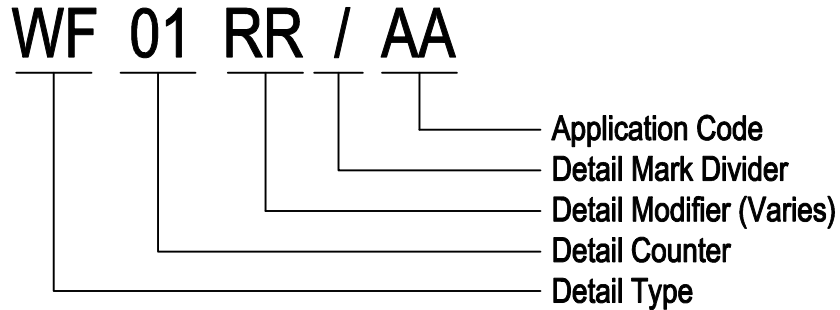
DETAIL TYPE

<b>GE98</b>
<b>AA</b>

[Download the DWG file by clicking here.](#)

[To Section Index](#)

Standard Erection Drawing - Mark Definitions  
 Modifiers & Application Codes  
 GE99/AA



### Modifiers

- |   |   |
|---|---|
| <ul style="list-style-type: none"> <li>A - SIMILAR DETAILS</li> <li>B - SIMILAR IN SEQUENCE DETAILS</li> <li>C - THERMAL SPACER REQUIRED DETAILS</li> <li>F - CLEATED DETAILS</li> <li>G - CLEATED DETAILS WITH THERMAL SPACERS</li> <li>H - SIMILAR DETAILS WITH BAR JOISTS</li> <li>L - UL90 DETAILS</li> <li>M - 8" GIRTS</li> <li>N - 9 1/2" GIRTS</li> </ul> | <ul style="list-style-type: none"> <li>P - FLUSH GIRTS</li> <li>Q - INSET GIRTS</li> <li>R - BYPASS GIRTS</li> <li>T - THERMAL ROOF DETAILS</li> <li>U - FACTORY MUTUAL DETAILS</li> <li>W - SPECIAL MODIFIERS</li> <li>X - FOR DETAILING USE ONLY</li> <li>Y - SPECIAL MODIFIERS</li> <li>Z - SPECIAL MODIFIERS</li> </ul> |
|---|---|

### Application Codes

- |   |  |
|---|--|
| <ul style="list-style-type: none"> <li>A - GENERIC OR NON-APPLICABLE</li> <li>B - LONG SPAN III PANEL (OR 1 1/4" PANEL) (WALL &amp; ROOF)</li> <li>C - ARCHITECTURAL III PANEL (WALL)</li> <li>D - SHADOW PANEL (WALL)</li> <li>E - STANDING SEAM II PANEL (ROOF)</li> <li>G - LOC-SEAM PANEL (16" PANEL) (ROOF)</li> <li>H - LOC-SEAM PANEL (12" PANEL) (ROOF)</li> <li>I - MULTI-RIB PANEL (LINER) OR (INSULATED WALL PANEL (METL-SPAN) (WALL)</li> <li>J - SOFFIT-LINER PANEL (WALL &amp; ROOF)</li> <li>K - MANSARD FASCIA PANEL (FACADE/PARAPET)</li> <li>M - SEAMLOC PANEL (ROOF)</li> <li>O - OPEN WALLS (AT RAKE/EAVE)</li> </ul> | <ul style="list-style-type: none"> <li>Q - HR3 - HI-RIB INSULATED ROOF PANEL (AW)</li> <li>R - SR2 - STANDING SEAM INSULATED ROOF PANEL W/ 360 HEM (AW)</li> <li>S - STAND SEAM GENERIC (GENERIC DETAILS FOR BOTH SS2 &amp; S3P)(ROOF)</li> <li>T - STAND SEAM 360 PANELS (ROOF)</li> <li>U - STUCCO CHOICE PANEL (WALL)</li> <li>V - ARCHITECTURAL "V" RIB PANEL (WALL)</li> <li>W - INSULATED WALL PANELS (ALL WEATHER)</li> </ul> |
|---|--|

## STANDARD ERECTION DRAWING - MARK DEFINITIONS

MODIFIERS & APPLICATION CODES

<b>GE99</b>
<b>AA</b>

[Download the DWG file by clicking here.](#)

[To Section Index](#)