



**AMERICAN  
BUILDINGS**

A **NUCOR** COMPANY

---

# PRODUCT MANUAL

ROOF PIPE FLASHINGS

## Index

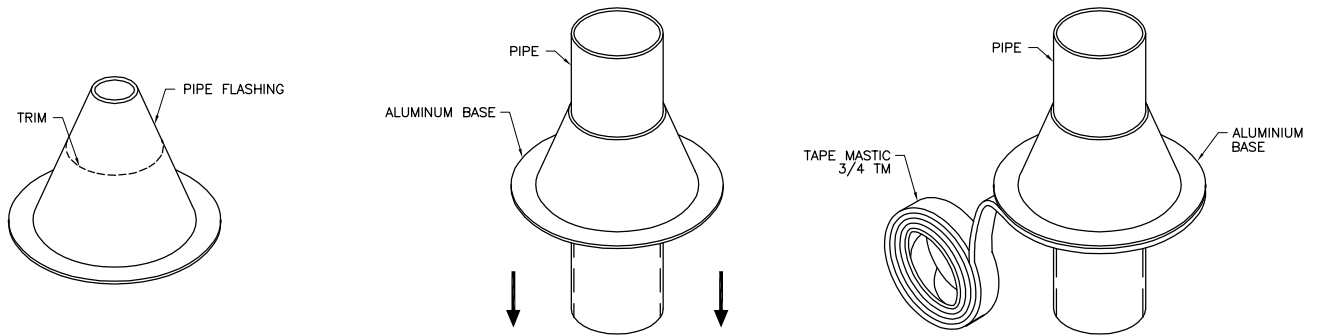
[FP01/AA, Pipe Flashing Installation Procedure](#)

[FP03/AA, Round Base Pipe Flashing](#)

[FPO4/AA, Pipe Flashing Notes](#)

### Pipe Flashing Installation Procedure

FP01/AA



**1. TRIM**

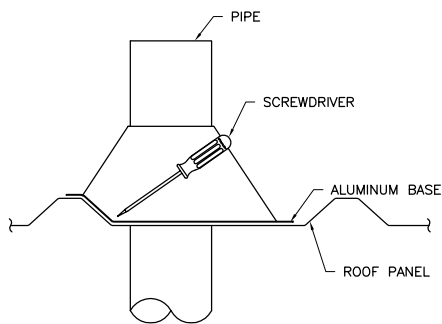
CUT OPENING TO 20% SMALLER THAN THE PIPE DIAMETER OR ALONG THE PIPE DIAMETER MARKINGS ON THE CONE. LEAVE 1/2" STRAIGHT COLLAR AGAINST PIPE FOR MAXIMUM SEALING.

**2. SLIDE**

SLIDE PIPE FLASHING OVER PIPE TO BE FLASHED. MAKE SURE AREA IS CLEANED FIRST AND THE PIPE HAS NO SHARP EDGES THAT WOULD DAMAGE THE FLEXIBLE MEMBRANE. WATER MAY BE USED AS LUBRICANT IF NECESSARY.

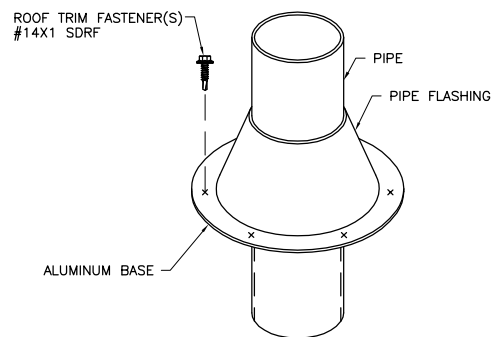
**3. SEAL**

APPLY TAPE MASTIC (3/4TM) TO THE UNDERSIDE OF THE ALUMINIUM BASE.



**4. FORM**

BEND ALUMINIUM BASE TO CONTOURS OF THE ROOF PANEL. A LARGE SLOT SCREWDRIVER OR SIMILAR BLUNT TOOL MAY BE USED TO PRESS THE BASE INTO TIGHT AREAS.



**5. FASTEN**

SECURE THE PIPE FLASHING TO THE ROOF PANEL WITH #14 ROOF FASTENERS. SEE DETAILS FP03AA FOR RECOMMENDED FASTENER LAYOUT, LOCATIONS AND QUANTITIES.

**SAFETY PRECAUTION:**  
USE OSHA APPROVED TIE OFFS, NETTING OR RAILING WHEN WORKING ON ROOF AREAS.

PIPE FLASHING INSTALLATION PROCEDURE

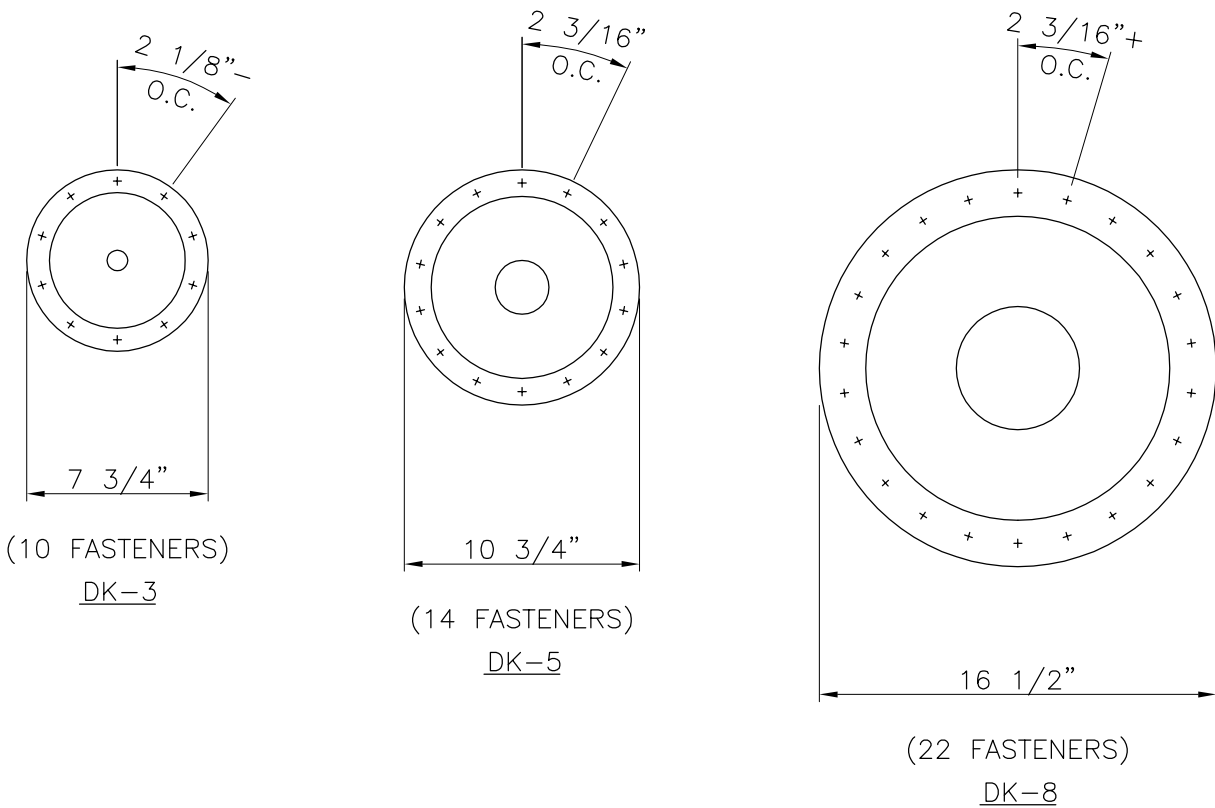
FP01  
AA

[Download the DWG file by clicking here.](#)

[To Section Index](#)

Round Base Pipe Flashing

FP03/AA



ROUND BASE PIPE FLASHING

FP03
AA

[Download the DWG file by clicking here.](#)

[To Section Index](#)

## Pipe Flashing Notes

FP04/AA

### NOTES

1. PIPE FLASHING MANUFACTURERS MAY VARY.
2. FASTENER SPACING FOR BASES NOT SHOWN, LOCATE APPROXIMATELY 2" O.C. AROUND BASE PERIMETER.
3. DK-3, DK-5, DK-8 ARE THE METAL BUILDING SUPPLIER'S MARK NUMBERS, NOT THE PIPE FLASHING MANUFACTURER'S MARK NUMBERS.

PIPE FLASHING NOTES

FP04
AA

[Download the DWG file by clicking here.](#)

[To Section Index](#)