

Index

[GE01/AA, Building Alignment](#)

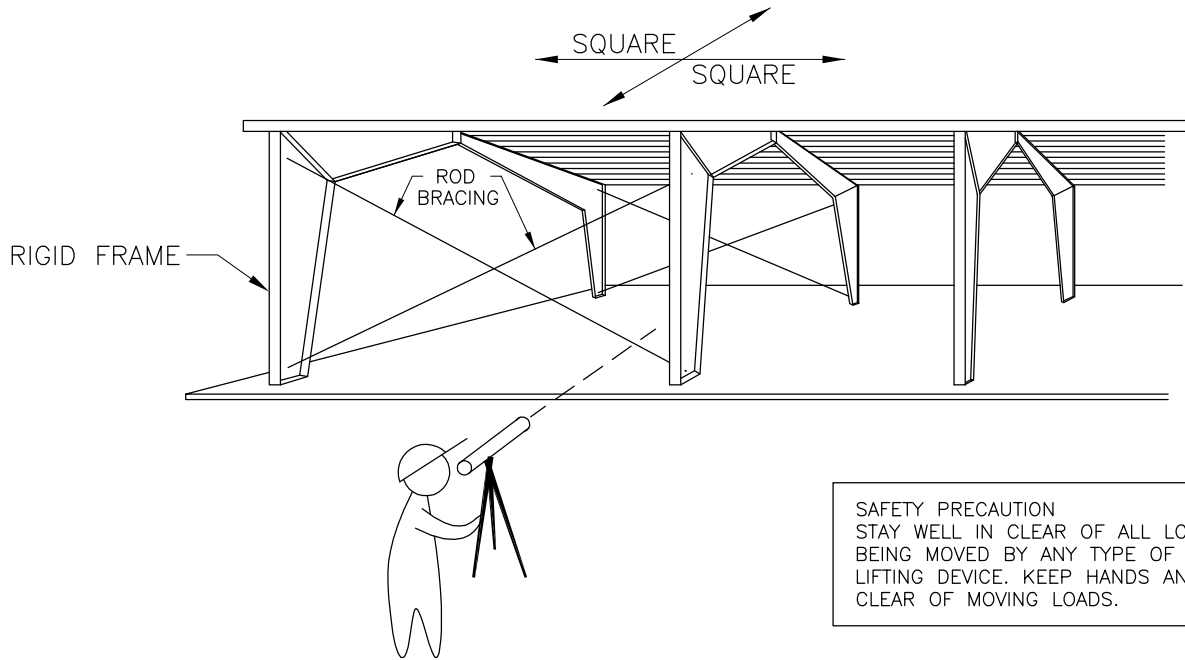
[GE02/AA, Purlin Blocking](#)

[GE05/AA, Instructions for Proper Magnet Setting for Nut Setter Bit, Fasteners](#)

[GE70/AA, Safety Commitment](#)

Building Alignment

GE01/AA



SAFETY PRECAUTION
STAY WELL IN CLEAR OF ALL LOADS BEING MOVED BY ANY TYPE OF LIFTING DEVICE. KEEP HANDS AND FEET CLEAR OF MOVING LOADS.

THE FIRST STEP IN THE SUCCESSFUL INSTALLATION OF THE ROOF OR WALLS IS TO HAVE THE PRIMARY FRAMING PLUMB AND SQUARE. FOR BEST RESULTS, IT IS RECOMMENDED THAT A TRANSIT BE USED WHEN ERECTING THE STRUCTURAL STEEL. BE SURE TO READ THE GENERAL ERECTION GUIDE PRIOR TO COMMENCING ERECTION.

BUILDING ALIGNMENT

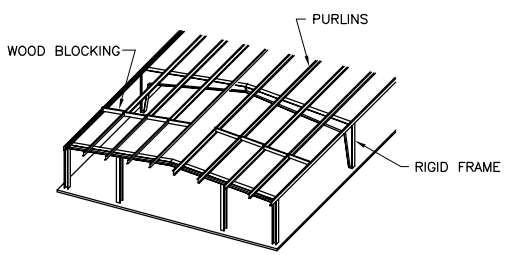
GE01
AA

[Download the DWG file by clicking here.](#)

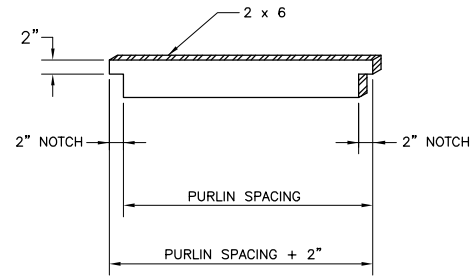
[To Section Index](#)

Purlin Blocking

GE02/AA



SAFETY PRECAUTION
DON'T ALLOW BLOCKING TO BE A FALLING HAZARD TO THOSE BENEATH THE ROOF. WORKERS SHOULD WEAR OSHA APPROVED HARD HATS.



Straight purlins are a necessity. Zee sections have a natural tendency to roll out of plane and deflect horizontally. This must be corrected by forcing the purlins into proper plane and spacing. Wood blocking is recommended as one method to accomplish this.

Purlin Blocking

Before installing the roof panels and insulation, be certain that the purlins are straight and at 90° to the slope of the roof. Use wood blocking to assist with purlin alignment if adjustment is needed. Start with one row of temporary blocking in the center of the bay. Use additional rows of blocking if needed to maintain straight purlins. As sheeting progresses to within one panel width of the blocking it should hold the purlins in alignment allowing the blocking to be removed. Move blocking to next bay as the erection progresses.

Typical construction of wood blocking is shown above. A 2 x 6 minimum board size should be used. Refer to the cross section framing drawings that accompanied the building to determine the purlin size and spacing. Measure the purlin flange and cut notch in board accordingly.

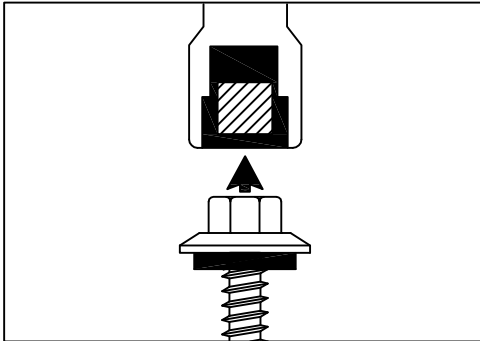
PURLIN BLOCKING

GE02
AA

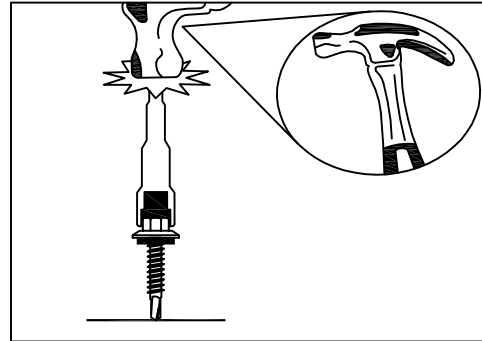
[Download the DWG file by clicking here.](#)

[To Section Index](#)

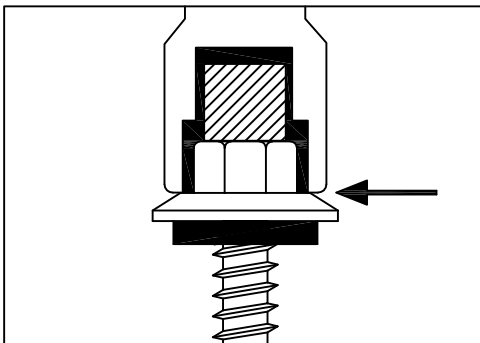
Instructions for Proper Magnet Setting for Nut Setter Bit
Fasteners
GE05/AA



1. Put the top of the fastener into the nut setter. Note: for painted Fasteners, place a single or doubled layer of plastic between the fastener head and the nut setter.



2. Place the point of the fastener onto a hard surface and firmly hit the top of the nut setter 2-3 times.



3. The base of the nut setter should now be contacting the top of the head of the fastener with no gaps.



4. Bad set vs. good set.

INSTRUCTIONS FOR PROPER MAGNET SETTING FOR NUT SETTER BIT

FASTENERS

GE05
AA

[Download the DWG file by clicking here.](#)

[To Section Index](#)

Safety Commitment

GE70/AA

SAFETY NOTES:

THE METAL BUILDING SUPPLIER STRONGLY RECOMMENDS THAT SAFE WORKING CONDITIONS AND ACCIDENT PREVENTION PRACTICES BE THE TOP PRIORITY ON ANY JOB SITE.

LOCAL, STATE AND FEDERAL SAFETY AND HEALTH STANDARDS SHOULD ALWAYS BE FOLLOWED TO HELP ENSURE WORKER SAFETY.

MAKE CERTAIN ALL EMPLOYEES KNOW THE SAFEST AND MOST PRODUCTIVE WAY OF ERECTING A BUILDING. EMERGENCY TELEPHONE NUMBERS, LOCATIONS OF FIRST AID STATIONS AND EMERGENCY PROCEDURES SHOULD BE KNOWN TO ALL EMPLOYEES.

DAILY MEETINGS HIGHLIGHTING SAFETY PROCEDURES, THE USE OF HARD HATS, RUBBER SOLE SHOES FOR ROOF WORK, PROPER EQUIPMENT FOR HANDLING MATERIAL AND SAFETY NETS WHERE POSSIBLE ARE RECOMMENDED ERECTION PRACTICES.

THE METAL BUILDING SUPPLIER INTENDS THAT THESE DRAWINGS BE INTERPRETED AND ADMINISTERED WITH SOUND JUDGMENT CONSISTENT WITH GOOD SAFETY PRACTICES.

ALL SAFETY PRECAUTIONS, OSHA SAFETY REQUIREMENTS, OR ANY OTHER APPROPRIATE SAFETY REQUIREMENTS, CUSTOMARY OR STATUTORY, MUST BE ADHERED TO, TO ENSURE MAXIMUM WORKER SAFETY.

IF OIL OR OTHER SLIPPERY SUBSTANCES ARE SPILLED ON THE ROOF/DECK PANELS, WIPE THEM OFF IMMEDIATELY TO PREVENT SLIPPING OR FALLING.

YOU SHOULD MAINTAIN A FIRM, SAFE POSITION WHEN USING ANY TOOL.

YOU SHOULD MAINTAIN A CONSTANT AWARENESS OF YOUR LOCATION IN RELATION TO THE ROOF EDGE WHEN USING TOOLS AND MACHINES OR PERFORMING ANY OTHER FUNCTION ON THE ROOF AREA.

DO NOT UNDER ANY CIRCUMSTANCES STEP OR WALK ON THE SURFACE OF ANY FIBERGLASS SKYLIGHT. IF FOOT TRAFFIC IS NECESSARY OVER SKYLIGHT, USE WALK BOARDS THAT ARE PROPERLY SUPPORTED BY THE BUILDING PURLINS.

SAFETY COMMITMENT

GE70
AA

[Download the DWG file by clicking here.](#)

[To Section Index](#)